

Technical data sheet for  
**ELECTRIC COOKTOPS 600mm**

E514D-B, E514D-CB, E514D-LS,  
 E514C-B, E514C-CB, E514C-LS,  
 E514B-B, E514B-CB, E514B-LS,

- Heavy-duty construction
- 2.4kW open radiant elements
- Optional hot plate elements
- 300mm and 600mm griddle plate options
- 3 models of base unit
- Rear rollers
- Stainless steel exterior
- Easy clean
- Easy service
- Fully modular



E514D-LS

**Overall Construction**

**Cooktop**

- Welded hob with 1.5mm 304 stainless steel bull nose
- Side panels 1.2mm 304 stainless steel
- Splashback 1.2mm 304 stainless steel
- Vitreous enamelled control panel
- 2.4kW open radiant elements in heavy-duty welded element frames
- Stainless steel spill trays
- Hot plate elements with machine finished 8mm steel plate (optional extra)
- 12mm thick mild steel griddle plates
- 2.5mm 304 stainless steel griddle splash guards
- Aluminised steel internal construction

Griddle sections are standard on RH side. Available on LH side to order.

**Bench mount (supplied as -B model)**

- Four 63mm dia. heavy-duty 1.2mm 304 stainless steel bench legs with adjustable feet
- Adjustable height 80mm – 105mm

**Cabinet Base (supplied as -CB model)**

- Fully modular for match suite finish
- Double skin 0.9mm 304 stainless steel interior and exterior
- Optional GN 1/1 4 position racking kit
- 63mm dia. heavy-duty 1.2mm 304 stainless steel legs with two adjustable feet at front and two rollers at rear

**Leg Stand (supplied as -LS model)**

- Fully modular for matched suite finish
- Framed top for connection to Cooktop
- 63mm dia. heavy-duty 1.2mm 304 stainless steel legs with two adjustable feet at front and two rollers at rear
- Fully modular framed stand shelf with 0.9mm 304 stainless steel finish
- Quick assembly design

**Controls**

- Large easy use control knob - heat resistant reinforced
- Easy view control settings on knob
- Radiant elements with energy regulator controls
- Hot Plate elements with energy regulator controls
- 50-320°C thermostat per 300mm griddle section
- Indicator lights for power and heating for each griddle control
- Power indicator lights for each element control

**Cleaning and Servicing**

- All models with easy clean stainless steel external finish
- Stainless steel spill trays
- Lift up element and griddle sections
- Access to all parts from front of unit

# Technical data sheet for ELECTRIC COOKTOPS 600mm

## Specifications

### Cooktop

2.4 kW Open Radiant elements  
2.0 kW Hot Plate elements  
3.4 kW Griddle elements  
(per 300mm griddle section)

### Griddle Plate

300mm Griddle cooking surface  
292mm x 475mm, 1387cm<sup>2</sup>  
600mm Griddle cooking surface  
592mm x 475mm, 2812cm<sup>2</sup>

### Electrical requirements

#### E514D

9.6 kW, 400-415Vac, 50/60hz, 2P+N+E, 20A/phase

#### E514C

8.2 kW, 400-415Vac, 50/60hz, 2P+N+E,  
20A/phase max

#### E514B

6.8 kW, 230-240Vac, 50/60hz, 1P+N+E, 28.3A

## Dimensions

### Bench models

Width 600mm  
Depth 812mm  
Height 315mm  
Incl. splashback 485mm

### All models (excluding Bench model)

Width 600mm  
Depth 812mm  
Height 915mm  
Incl. splashback 1085mm

## Nett weight

### Bench and Leg Stand models

74kg

### Cabinet Base models

79kg

## Packing data

### Bench and Leg Stand models

0.37m<sup>3</sup>, 110kg  
Width 645mm  
Depth 870mm  
Height 665mm

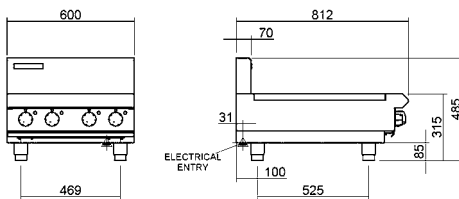
### Cabinet Base models

0.70m<sup>3</sup>, 131kg  
Width 870mm  
Depth 645mm  
Height 1255mm

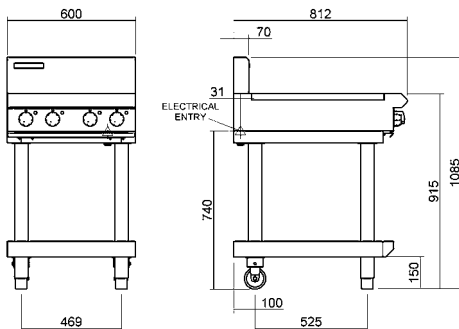
## Options

Adjustable feet at rear  
Hot plate elements  
(replace individual open radiant elements)  
Ribbed griddle plates

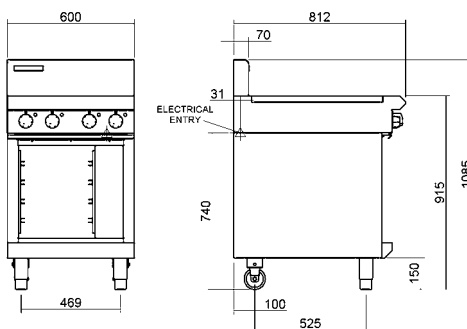
E514-B



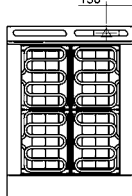
E514-LS



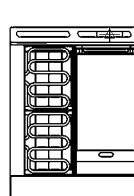
E514-CB



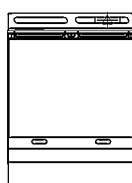
E514D



E514C



E514B



**MOFFAT**

Australia  
[www.moffat.com.au](http://www.moffat.com.au)  
New Zealand  
[www.moffat.co.nz](http://www.moffat.co.nz)

[www.bluesealevolution.com](http://www.bluesealevolution.com)

Australia  
Moffat Pty Limited

Victoria/Tasmania  
740 Springvale Road  
Mulgrave, Victoria 3170  
Telephone 03-9518 3888  
Facsimile 03-9518 3833  
[vsales@moffat.com.au](mailto:vsales@moffat.com.au)

New South Wales  
Telephone 02-8833 4111  
[nswsales@moffat.com.au](mailto:nswsales@moffat.com.au)

South Australia  
Telephone 03-9518 3888  
[vsales@moffat.com.au](mailto:vsales@moffat.com.au)

Queensland  
Telephone 07-3630 8600  
[qldsales@moffat.com.au](mailto:qldsales@moffat.com.au)

Western Australia  
Telephone 08-9202 6820  
[bgarcia@moffat.com.au](mailto:bgarcia@moffat.com.au)

New Zealand  
Moffat Limited

Christchurch  
16 Osborne Street  
Christchurch 8011  
Telephone 03-389 1007  
Facsimile 03-389 1276  
[sales@moffat.co.nz](mailto:sales@moffat.co.nz)

Auckland  
Telephone 09-574 3150  
[sales@moffat.co.nz](mailto:sales@moffat.co.nz)



Designed and manufactured by

**MOFFAT**

ISO9001  
All Blue Seal products are designed and manufactured by Moffat using the internationally recognised ISO9001 quality management system, covering design, manufacture and final inspection, ensuring consistent high quality at all times.

In line with policy to continually develop and improve its products, Moffat Limited reserves the right to change specifications and design without notice.

Printed in China  
© Copyright Moffat Ltd  
Moffat / 7.09 / 1140

