

Technical data sheet for
ELECTRIC COOKTOPS 300mm
E512D-B, E512C-B

- Heavy-duty construction
- 2.4kW open radiant elements
- Optional hot plate elements
- 300mm griddle plate options
- Stainless steel exterior
- Easy clean
- Easy service
- Fully modular



E512D-B

Overall Construction

Cooktop

- Welded hob with 1.5mm 304 stainless steel bull nose
- Side panels 1.2mm 304 stainless steel
- Splashback 1.2mm 304 stainless steel
- Vitreous enamelled control panel
- 2.4kW open radiant elements in heavy-duty welded element frames
- Stainless steel spill tray
- Hot plate elements with machine finished 8mm steel plate (optional extra)
- 12mm thick mild steel griddle plates
- 2.5mm 304 stainless steel griddle splash guards
- Aluminised steel internal construction

Bench mount (supplied as -B model)

- Four 63mm dia. heavy-duty 1.2mm 304 stainless steel bench legs with adjustable feet
- Adjustable height 80mm – 105mm

Controls

- Large easy use control knob - heat resistant reinforced
- Easy view control settings on knob
- Radiant elements with energy regulator controls
- Hot Plate elements with energy regulator controls
- 50-320°C thermostat on griddle section
- Power indicator lights for each element control
- Indicator lights for power and heating for each griddle control

Cleaning and Servicing

- All models with easy clean stainless steel external finish
- Stainless steel spill tray
- Lift up element and griddle sections
- Access to all parts from front of unit

Technical data sheet for ELECTRIC COOKTOPS 300mm

Specifications

Cooktop

- 2.4 kW Open Radiant elements
- 2.0 kW Hot Plate elements
- 3.4 kW Griddle elements
(per 300mm griddle section)

Griddle Plate

- 300mm Griddle cooking surface
- 292mm x 475mm, 1387cm²

Electrical requirements

E512D

- 4.8 kW, 230-240Vac, 50/60hz, 1P+N+E, 20A

E512C

- 3.4 kW, 230-240Vac, 50/60hz, 1P+N+E, 14.2A

Dimensions

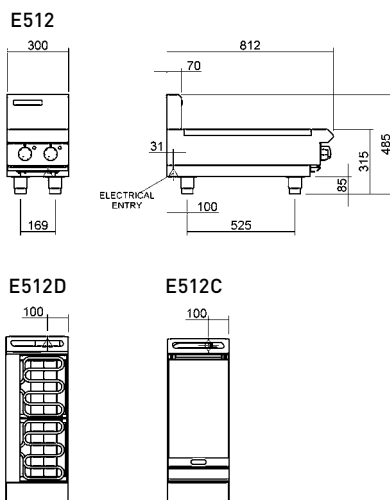
- Width 300mm
- Depth 812mm
- Height 315mm
- Incl. splashback 485mm

Packing data

- 0.20m³
- Width 870mm
- Depth 350mm
- Height 665mm

Options

- Hot plate elements
(replace individual open radiant elements)
- Ribbed griddle plates



MOFFAT®

Australia
www.moffat.com.au
New Zealand
www.moffat.co.nz

www.bluesealevolution.com

Australia
Moffat Pty Limited

Victoria/Tasmania
740 Springvale Road
Mulgrave, Victoria 3170
Telephone 03-9518 3888
Facsimile 03-9518 3833
vsales@moffat.com.au

New South Wales
Telephone 02-8833 4111
nswsales@moffat.com.au

South Australia
Telephone 03-9518 3888
vsales@moffat.com.au

Queensland
Telephone 07-3630 8600
qldsales@moffat.com.au

Western Australia
Telephone 08-9202 6802
bgarcia@moffat.com.au

New Zealand
Moffat Limited

Christchurch
16 Osborne Street
Christchurch 8011
Telephone 03-389 1007
Facsimile 03-389 1276
sales@moffat.co.nz

Auckland
Telephone 09-574 3150
sales@moffat.co.nz

ISO 9001
Quality Management Standard

Designed and manufactured by

MOFFAT®

ISO9001

All Blue Seal products are designed and manufactured by Moffat using the internationally recognised ISO9001 quality management system, covering design, manufacture and final inspection, ensuring consistent high quality at all times.

In line with policy to continually develop and improve its products, Moffat Limited reserves the right to change specifications and design without notice.

Printed in China
© Copyright Moffat Ltd
Moffat/4825/BH/2.5M/12.06



BLUE SEAL®
EVOLUTIONSERIES