

The RDM-HDC Heavy Duty DC Module is a heavy-duty 2400 W module for dimming of fluorescent ballast loads. It uses a 0 to 12 VDC current sinking or sourcing for use with all four-wire ballasts. It is designed for use with the RDA series of enclosures, in an AMX Lighting™ modular digital dimming system. The module's 120, 240, and 277 VAC ratings are CE, UL, and C-UL approved.

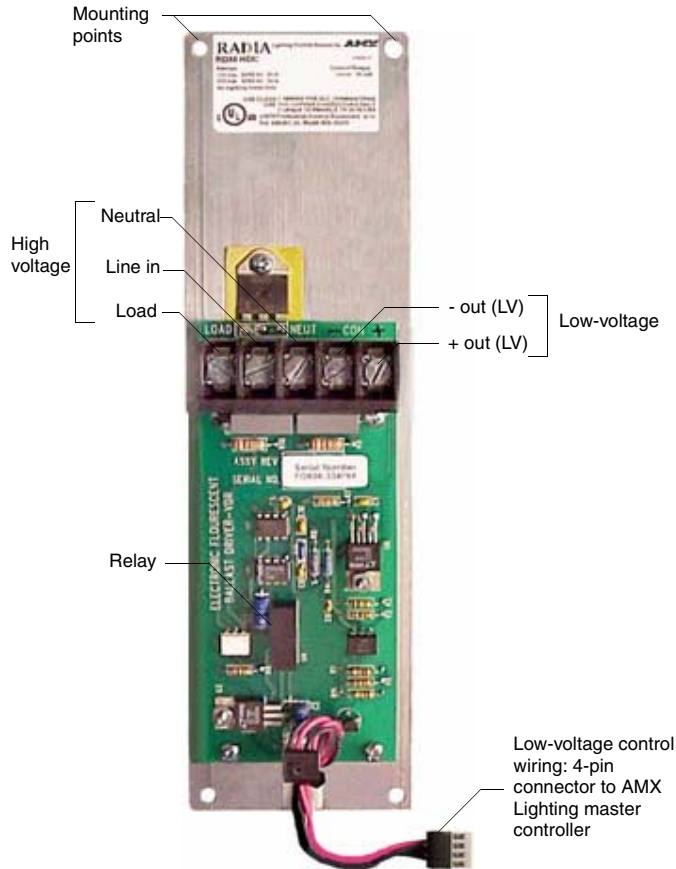


FIG. 1 RDM-HDC

#### RDM-HDC UL and C-UL Ratings

- 120 VAC, 50/60 Hz, 2400 W
- 240/277 VAC, 50/60 Hz, 2400 W
- Control Out: 50 mA, 12 VDC sourcing/sinking

#### Suggested Dimmed Loads

- Four-wire dimmable ballasts
- All low-voltage DC controlled ballasts

#### Specifications

- Dimensions (HW): 10" x 2.75" (25.4 cm x 6.99 cm)
- Non-phase dependant
- Use wires rated at 75°C (167°F)
- Torque terminals to 20 in-lbs. (2.3 N/M)
- Max. wire size: 10 AWG (4 mm<sup>2</sup>)
- Wire stripping length: 0.28" (7 mm)
- Weight: 1.3 lbs. (0.590 kg)
- BTU/hr: 150
- Control current: 150 mA @ 12 VDC

#### Caution: Pre-Installation Notes

- All Class 1 wiring must be connected to proper terminals.
- All control wiring must be connected to proper terminals.
- Disconnect power while installing or connecting the unit.
- Keep top and bottom air vents clear at all times.
- Use low-voltage wires with a 300 volt rating or greater.
- Use field installed copper conductors.
- All electrical ratings are for continuous duty.
- For indoor use only.
- Test loads for shorts before connecting.
- This module may require extra power from the AXlink connection or an external power supply connected to the control card.

#### Connecting the RDM-HDC to the AMX Lighting Master

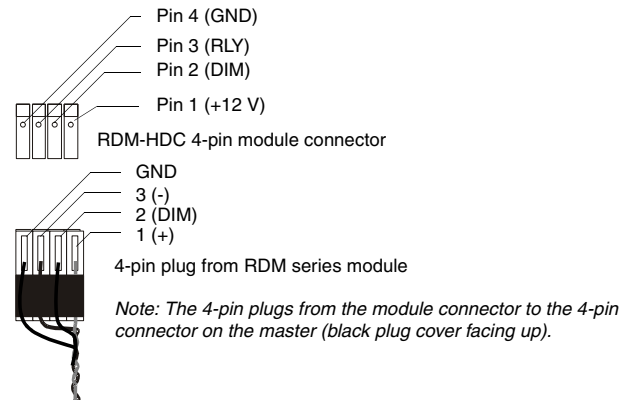


FIG. 2 Connecting the RDM-HDC and AMX Lighting Master

#### Lighting Application Drawings

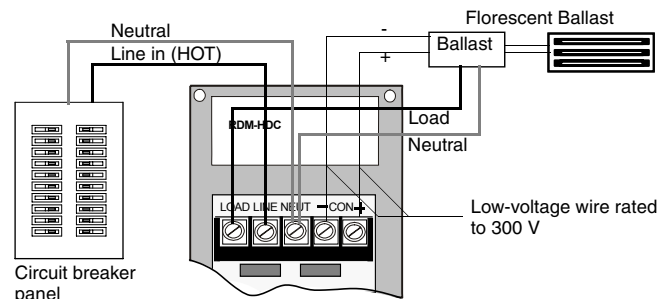


FIG. 3 RDM-HDC application wiring

**Warning: Failure to ground the ballast may cause ballast failure**

**AMX Corporation reserves the right to alter specifications without notice at any time.**  
*For full warranty information, refer to the AMX Instruction Manual(s) associated with your Product(s).*

043-019-2240 10/01 ©2001 AMX Corporation. All rights reserved.

The AMX logo is a trademark of AMX Corporation. AMX Corporation reserves the right to alter specifications without notice at any time.  
3000 research drive, richardson, TX 75082 USA • 469.624.8000 • 800.222.0193 • fax 469.624.7153 • technical support 800.932.6993

