

# KitchenAid® Gas Built-in Cooktop

## PRODUCT MODEL NUMBERS

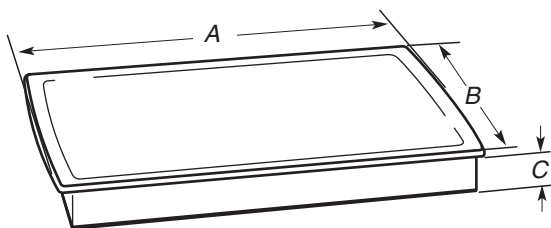
KFGS306V                      KFGU706V  
KFGS366V                      KFGU766V

**Gas Supply:** This cooktop is factory set for use with natural gas. Cooktop can be converted to LP gas. Conversion must be done by a qualified service technician. Provide a gas supply line of 3/4" (1.9 cm) rigid pipe to the cooktop location. A smaller size pipe on longer runs may result in insufficient gas supply. Pipe-joint compounds that resist the action of LP gas must be used. Do not use TEFLON® tape. With LP gas, piping or tubing size can be 1/2" minimum. Usually, LP gas suppliers determine the size and materials used in the system.

No attempt shall be made to convert the cooktop from the gas specified on the model/serial rating plate for use with a different gas without consulting the serving gas supplier. See the Gas Conversion instructions provided in the package containing literature.

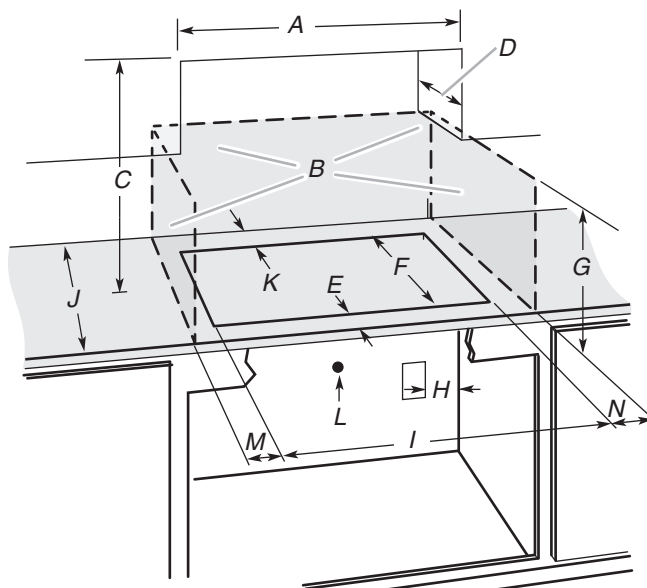
**Electrical:** A 120 volt, 60 Hz., AC only, 15-amp fused electrical circuit is required. A time-delay fuse or circuit breaker is also recommended. It is recommended that a separate circuit serving only this cooktop be provided.

## PRODUCT DIMENSIONS



- A. 30 3/16" (76.7 cm) on 30" (76.2 cm) models,  
36 1/4" (92.0 cm) on 36" (91.4 cm) models  
B. 21" (53.3 cm)  
C. 3" (7.6 cm)

## INSTALLATION CLEARANCES



- A. 30" (76.2 cm) on 30" (76.2 cm) models; 36" (91.4 cm) on 36" (91.4 cm) models  
B. Combustible area above countertop (shown by dashed box above)  
C. 30" (76.2 cm) minimum clearance between top of cooktop platform and bottom of uncovered wood or metal cabinet (24" [61.0 cm] minimum clearance if bottom of wood or metal cabinet is covered by not less than 1/4" [0.6 cm] flame retardant millboard covered with not less than No. 28 MSG sheet steel, 0.015" [0.04 cm] stainless steel, or 0.024" [0.06 cm] aluminum or 0.020" [0.05 cm] copper). If installing a range hood see NOTES.\*  
D. 13" (33.0 cm) recommended upper cabinet depth  
E. 1-1/8" (2.8 cm)  
F. 20" (50.8 cm)  
G. 18" (45.7 cm) minimum clearance from upper cabinet to countertop within minimum horizontal clearances to cooktop  
H. Grounded outlet - Locate within 24" (61.0 cm) of right rear corner of cutout  
I. 29" (73.7 cm) on 30" (76.2 cm) models; 35-1/4" (89.5 cm) on 36" (91.4 cm) models  
J. 24" (61.0 cm) minimum countertop depth is required  
K. 2-7/8" (7.3 cm) minimum distance to rear combustable surface  
L. Gas line opening - Wall: anywhere 5" (12.7 cm) below underside of countertop. Cabinet floor: anywhere within 6" (15.2 cm) of rear wall is recommended  
M. 8" (20.3 cm) minimum distance to nearest left side combustable surface.\*\*  
N. 8" (20.3 cm) minimum distance to nearest right side combustable surface.\*\*  
30" (76.2 cm) Cooktop Overall: M + N must equal 48" (122.0 cm) minimum + 29" (73.7 cm) cutout for cooktop or 77" (195.6 cm)  
36" (91.4 cm) Cooktop Overall: M + N must equal 48" (122.0 cm) minimum + 35-1/4" (89.5 cm) cutout for cooktop or 83-1/4" (211.5 cm)  
\*\*M + N combined must be at least 48" (122.0 cm) minimum overall  
Example 1: M = 8" (20.3 cm) left side + N = 40" (101.6 cm) right side = 48" (122.0 cm)  
Example 2: M = 24" (61.0 cm) left side + N = 24" (61.0 cm) right side = 48" (122.0 cm)

## NOTES:

After making the countertop cutout, some installations may require notching down the base cabinet side walls to clear the cooktop base. To avoid this modification, use a base cabinet with sidewalls wider than the cutout.

If cabinet has a drawer, a 4" (10.2 cm) depth clearance from the countertop to the top of the drawer (or other obstruction) in base cabinet is required. The drawer depth may need to be shortened to avoid interfering with the regulator.

\*If installing a hood above the range, follow the hood instructions for dimensional clearances above the cooktop surface.