

COOKTOP, BURNER AND GRATE PARTS

For Models: KGCC506RBL00, KGCC506RWW00, KGCC506RBB00

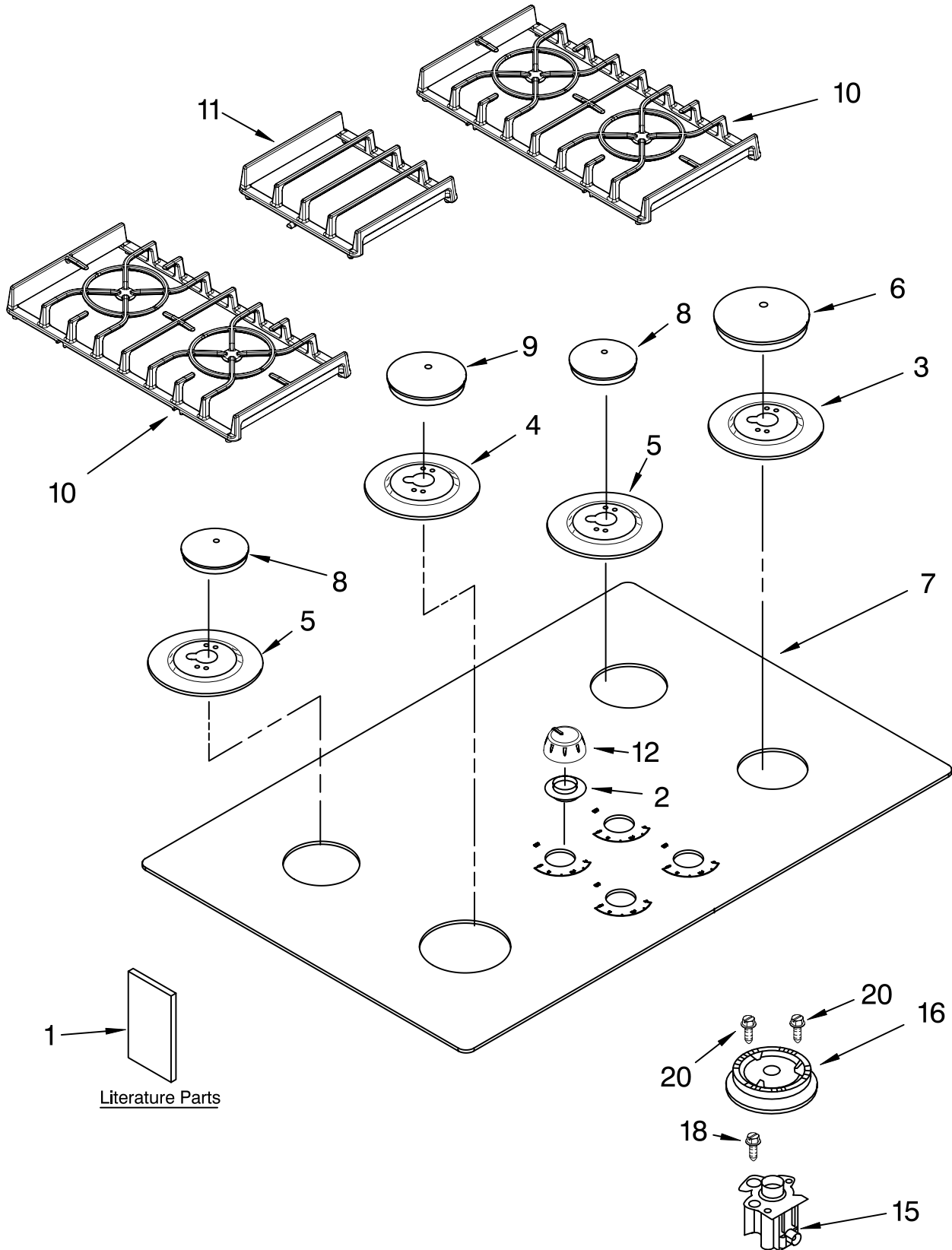
(Black)

(Pure White)

(Pure Biscuit)

KitchenAid®

30" GAS GLASS SURFACE COOKTOP



FOR ORDERING INFORMATION REFER TO PARTS PRICE LIST

COOKTOP, BURNER AND GRATE PARTS

For Models: KGCC506RBL00, KGCC506RWW00, KGCC506RBB00

(Black) (Pure White) (Pure Biscuit)

Illus. No.	Part No.	DESCRIPTION	Illus. No.	Part No.	DESCRIPTION	Illus. No.	Part No.	DESCRIPTION
1	8286304	Literature Parts Installation Instructions	5		Bezel, Cooktop (LR,RR)	10		Grate, Burner
	8286305	Use & Care Guide		9753602CG	Cumberland Grey		8285879CG	Cumberland Grey
	3192098	Wiring Diagram		9753602BL	Black		8285879BL	Black
	8286314	Conversion Instructions		9753602MS	Moleskin		8285879MS	Moleskin
	9759133	Safe Cooking Tips	6		Cap, (RF)	11		Grate, Center
2		Grommet, Glass		8286153CG	Cumberland Grey		8285880CG	Cumberland Grey
	3180081	White		8286153BL	Black		8285880BL	Black
	3180079	Black		8286153MS	Moleskin		8285880MS	Moleskin
	3191817	Biscuit	7		Cooktop, Glass	12		Knob, Control (4)
3		Bezel, Cooktop (RF)		8286171	White		8286094WH	White
	9753601CG	Cumberland Grey		8286169	Black		8286094BL	Black
	9753601BL	Black		8286170	Biscuit		8286094BT	Biscuit
	9753601MS	Moleskin	8		Cap, (RR)(LR)	15		Holder, Orifice
4		Bezel, Cooktop (LF)		8286155CG	Cumberland Grey		8286177	Ultra Rapid
	8285779CG	Cumberland Grey		8286155BL	Black		8286178	Semi Rapid
	8285779BL	Black		8286155MS	Moleskin		8286179	Auxiliary
	8285779MS	Moleskin	9		Cap, (LF)		8286180	Rapid
				8286156CG	Cumberland Grey	16		Head, Burner
				8286156BL	Black		8286181	RF
				8286156MS	Moleskin		8286182	LR – RR
							8286183	LF
						18	4449809	Screw
						20	3368921	Screw, 7–18 X 3/4

FOR ORDERING INFORMATION REFER TO PARTS PRICE LIST

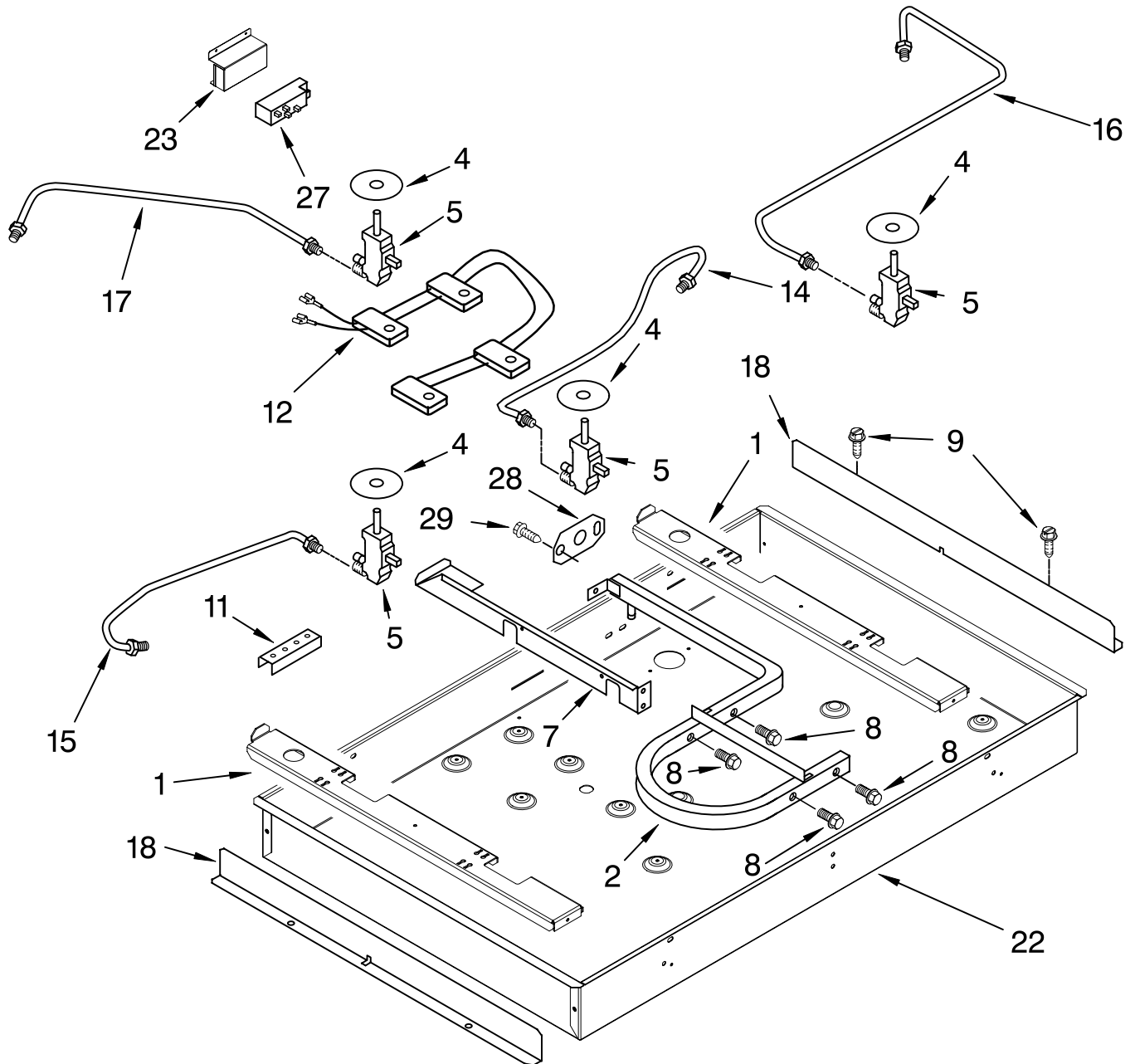
BURNER BOX, GAS VALVES, AND SWITCHES

For Models: KGCC506RBL00, KGCC506RWW00, KGCC506RBB00

(Black)

(Pure White)

(Pure Biscuit)



Illus. No.	Part No.	DESCRIPTION
1	8285796	Rail, Burner
2	8286069	Pipe, Manifold
	9759145	Bracket, Support
	3400843	Screw
4	3191387	Seal, Shaft
5		Valve, Gas Burner
	8286559	Auxiliary
	8286560	Semi Rapid
	4456817	Large
	8286561	Ultra Rapid
7	8285791	Rail, Center

Illus. No.	Part No.	DESCRIPTION
8	8523704	Bolt, Gas Valve
9	3177991	Screw
11	4455917	Bracket, Mounting
	3400093	Screw
12	4456905	Harness & Switches
14	8285793	Tubing, Gas Burner (RF)
15	8285794	Tubing, Gas Burner (LF)
16	8285792	Tubing, Gas Burner (RR)

Illus. No.	Part No.	DESCRIPTION
17	8285795	Tubing, Gas Burner (LR)
18	3191462	Shield, Heat (2)
22	8285774	Burner Box
	3196537	Screw
23	8285788	Shield, Heat
27	8522423	Module Spark
	3400843	Screw
	4455837	Bracket
28	3192491	Bracket, Support
29	3196160	Screw, 8-18 x 1/4

FOR ORDERING INFORMATION REFER TO PARTS PRICE LIST

OPTIONAL PARTS

For Models: KGCC506RBL00, KGCC506RWW00, KGCC506RBB00
(Black) (Pure White) (Pure Biscuit)

Illus. No.	Part No.	DESCRIPTION
-------------------	-----------------	--------------------

Following Parts Not Illustrated

3192231	Cord, Power
4173634	Bushing
3177991	Screw
3183401	Bracket
4167077	Nut, Tinnerman
3191933	Foam Seal, Cooktop

Miscellaneous

4455918	Hardware, Mounting
3192741	Conversion Kit Natural Gas To L.P.

WIRING HARNESS PARTS

4456626	Harness, Ignitor 15" (2)
4456627	Harness, Ignitor 28" (2)