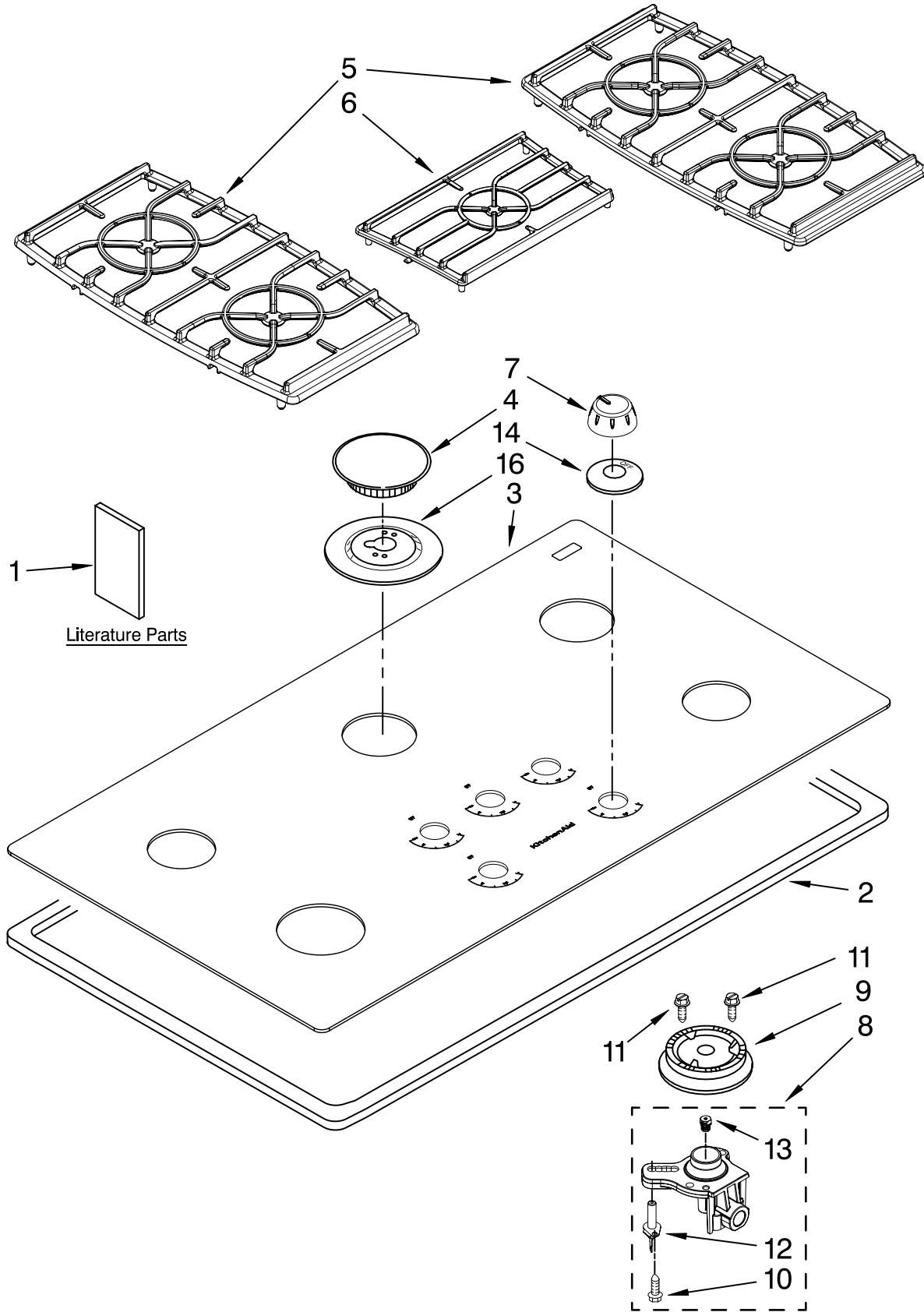


# COOKTOP, BURNER AND GRATE PARTS

For Models: KGCC566RBL03, KGCC566RWW03  
(Black) (White on White)

**KitchenAid®**

36" GAS COOKTOP



FOR ORDERING INFORMATION REFER TO PARTS PRICE LIST

# COOKTOP, BURNER AND GRATE PARTS

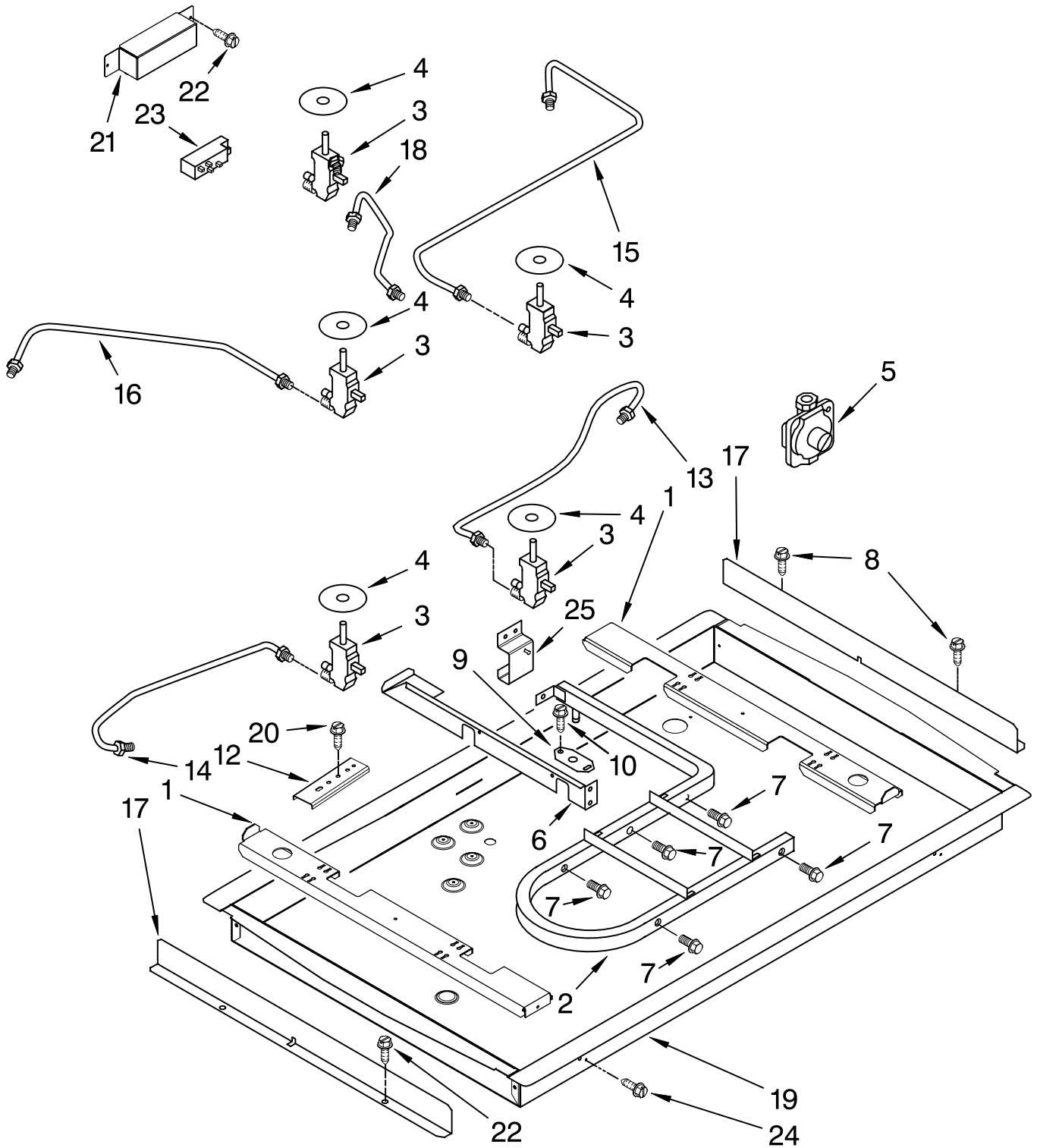
For Models: KGCC566RBL03, KGCC566RWW03  
(Black) (White on White)

Illus. No.	Part No.	DESCRIPTION	Illus. No.	Part No.	DESCRIPTION	Illus. No.	Part No.	DESCRIPTION
1		Literature Parts	4		Burner Caps	9		Head, Burner
	8286304	Installation Instructions			Black		8286181	LR & RF
	8304571	Undercounter Installation		8286153CB	LR & RF		8286184	CTR
	W10162188	Use & Care Guide		8286154CB	CTR		8286182	RR
	8286620	LP Gas Conversion Instructions		8286155CB	RR		8286183	LF
	3192099	Wiring Diagram		8286156CB	LF	10	8273062	Screw
	9762761	Safe Cooking Tips			White	11	3368921	Screw
	W10065852	English		8286153CG	LR & RF	12	9782116	Electrode
		French		8286154CG	CTR	13		Orifice
				8286155CG	RR		3192529	LR & RF
				8286156CG	LF		3192523	CTR
			5		Grate, Burner		8286551	RR
				8285879CB	Black		8286474	LF
				8285879CG	White	14		Grommet, Glass
2	3191933	Seal, Foam			Grate, Center		3180079	Black
3		Cooktop	6		Black		3180081	White
	W10141012	Black		8285881CB	Black			Bezel
	8286174	White		8285881CG	White	16		Black
			7		Knob, Control		9753601BL	LR & RF
				8286094BL	Black		9753602BL	RR & CTR
				8286094WH	White		8285779BL	LF
			8		Holder, Orifice			White
				W10128448	LR & RF		9753601CG	LR & RF
				W10128450	CTR		9753602CG	RR & CTR
				W10128451	RR		8285779CG	LF
				W10128445	LF			

FOR ORDERING INFORMATION REFER TO PARTS PRICE LIST

# BURNER BOX, GAS VALVES, AND SWITCHES

For Models: KGCC566RBL03, KGCC566RWW03  
(Black) (White on White)



FOR ORDERING INFORMATION REFER TO PARTS PRICE LIST

# BURNER BOX, GAS VALVES, AND SWITCHES

For Models: KGCC566RBL03, KGCC566RWW03  
(Black) (White on White)

<b>Illus.</b>	<b>Part</b>	
<b>No.</b>	<b>No.</b>	<b>DESCRIPTION</b>
1	8285796	Rail, Burner
2	8285751	Pipe, Manifold
3		Valve, Gas Burner
	8286559	White (2)
	4456817	Black
	8286560	Yellow
	8286561	Orange
4	3191387	Seal, Shaft
5	4454571	Regulator Pressure
6	8285791	Rail, Center
7	8523704	Bolt, Gas Valve
8	3400843	Screw
9	3192491	Bracket, Mainfold
10	3196160	Screw
12	4455917	Bracket, Mounting
13	8285768	Tubing, Gas Burner (RF)
14	8285766	Tubing, Gas Burner (LF)
15	8285767	Tubing, Gas Burner (RR)
16	8285769	Tubing, Gas Burner (LR)
17	3191462	Shield, Heat (2)
18	8285770	Tubing, Gas Burner (CR)
19	8285773	Burner Box
20	3400093	Screw
21	8285789	Shield, Heat
22	3177991	Screw
23	8522424	Spark Module
24	4449809	Screw
25	8285790	Bracket, Mounting Orifice

FOR ORDERING INFORMATION REFER TO PARTS PRICE LIST

# OPTIONAL PARTS

For Models: KGCC566RBL03, KGCC566RWW03  
(Black) (White on White)

<u>Illus. No.</u>	<u>Part No.</u>	<u>DESCRIPTION</u>
-------------------	-----------------	--------------------

---

Following Parts Not Illustrated

---

9763116 Cord, Power  
3177991 Screw

## Miscellaneous

8286320 Spud Kit

## WIRING HARNESS PARTS

4456626 Harness,  
Ignitor 15" (2)  
4456901 Harness, Switch  
8285402 Wire, Ground  
4456627 Harness,  
Ignitor 28" (2)

FOR ORDERING INFORMATION REFER TO PARTS PRICE LIST