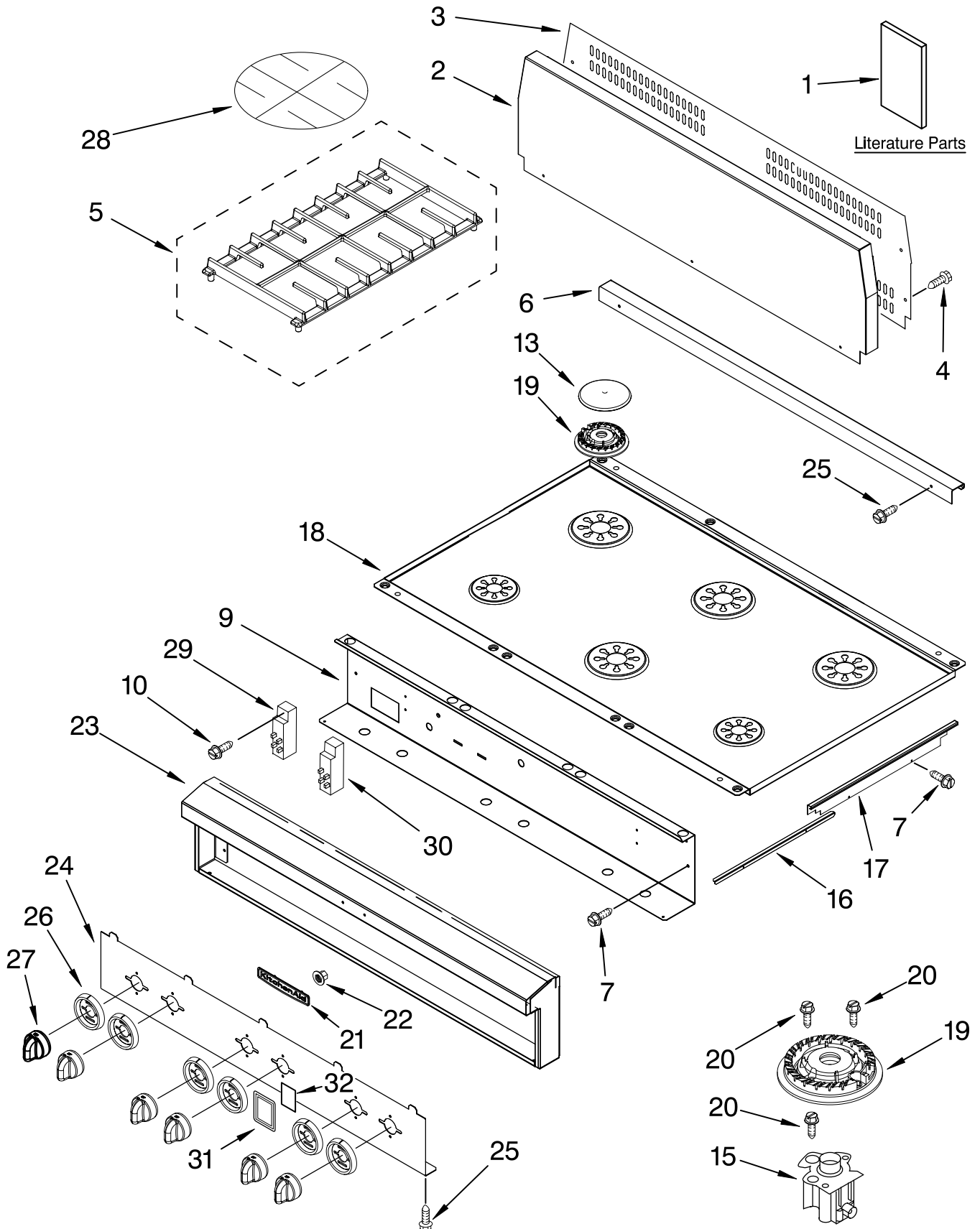


# COOKTOP, BURNER AND GRATE PARTS

36" Professional Cooktop

For Model: KGCP467JSS2, KGCP467JTL2  
(Stainless Steel) (Tile)

**KitchenAid**



FOR ORDERING INFORMATION REFER TO PARTS PRICE LIST

# COOKTOP, BURNER AND GRATE PARTS

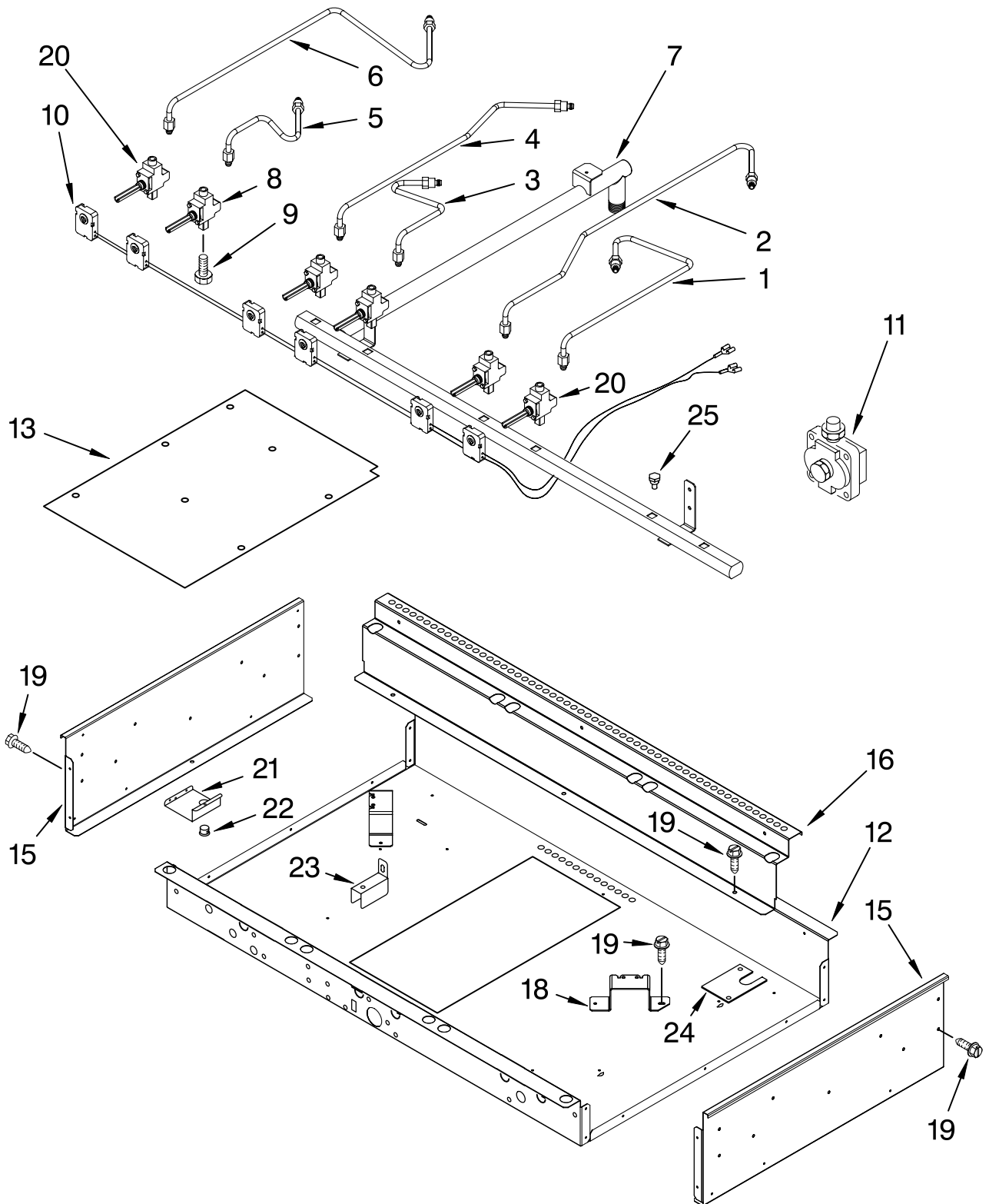
For Model: KGCP467JSS2, KGCP467JTL2  
(Stainless Steel) (Tile)

Illus. No.	Part No.	DESCRIPTION
1		Literature Parts
	LIT4455062	Instructions, Island Trim
	LIT8284671	Wiring Diagram
	LIT8284746	Use & Care Guide
	LIT8284908	Installation Instructions
	LIT8284780	Instructions, LP Conversion
2	4454960	Backsplash
3	8284712	Support, Backsplash
4	3196537	Screw, 8-18 x 3/8
5	4454963	Grate, Burner
6	4454962	Trim, Island
7	3177991	Screw, 8-18 x 1/4
9	8284972	Support, Control Panel
10	3400843	Screw
13		Cap, Burner
	4455243	(14K)
	8284669	(6K)
15		Holder, Orifice
		Includes Orifice
	9754188	Turbo (4)
	9754182	Auxillary (2)
16	4454974	Support Rail
		R.H. & L.H.
17		Trim, Side
	4454958	Right Hand
	4455029	Left Hand
18	8284664	Cooktop, Black
19		Burner Head 14K
	4455849	Turbo (4)
	8273216	Auxillary (2)
20	3368921	Screw, 7-18 x 3/4
21	2005292	Nameplate
22	2004333	Palnut
23	4455217	Control Frame
24	4455214	Panel, Control
	4455214	S. Steel
	8284638	Tile
25	3196176	Screw, 8-18 x 1/2
26	4455192	Bezel, Knob
27	4454970	Knob, Burner
28	4455109	Plate, Simmer
29	8522423	Module, Spark 4-Burner
30	8522422	Module, Spark 2-Burner
31	8284641	Bezel, Tile
32	8284639	Spacer, Tile

FOR ORDERING INFORMATION REFER TO PARTS PRICE LIST

# BURNER BOX, GAS VALVES, AND SWITCHES

For Model: KGCP467JSS2, KGCP467JTL2  
(Stainless Steel) (Tile)



FOR ORDERING INFORMATION REFER TO PARTS PRICE LIST

# BURNER BOX, GAS VALVES, AND SWITCHES

For Model: KGCP467JSS2, KGCP467JTL2  
(Stainless Steel) (Tile)

Illus. No.	Part No.	DESCRIPTION	Illus. No.	Part No.	DESCRIPTION	Illus. No.	Part No.	DESCRIPTION
1	4455040	Tubing, Gas Burner – RF	8	3192157	Valve, Burner (Turbo)	16	8284946	Support, Rear
2	4455041	Tubing, Gas Burner – RR	9	3185829	Bolt, Valve	18	3192811	Bracket, Burner
3	4455151	Tubing, Gas Burner – CF	10	4455155	Burner Switch & Harness Assembly	19	3177991	Screw, 8–18 x 1/4
4	4455152	Tubing, Gas Burner – CR		3191387	Seal, Switch	20	3191292	Valve, Burner Auxillary
5	4455153	Tubing, Gas Burner – LF	11	4455157	Regulator, Pressure	21	8284680	Cover Shelf
6	4455154	Tubing, Gas Burner – LR	12	8284970	Burner Box	22	8284722	Bushing, Cover Shelf
7	8284749	Manifold	13	8284964	Plate, Burner Holder	23	4449845	Bracket, Support
			15		Side, Burner Box	24	4455139	Cover, Panel
				8284677	Right Hand	25	8284796	Plug, Manifold
				8284678	Left Hand			

## PARTS NOT ILLUSTRATED

Illus. Part  
No. No. DESCRIPTION

### WIRING HARNESS PARTS

3192231 Power Cord  
1129449 Bushing  
3191418 Harness, Wire Jumper  
8284772 Harness, Wire Ignitor (Brown)  
8284976 Harness, Wire Ignitor (Yellow)

### Miscellaneous

8284782 L.P. Orifice Spud Pack