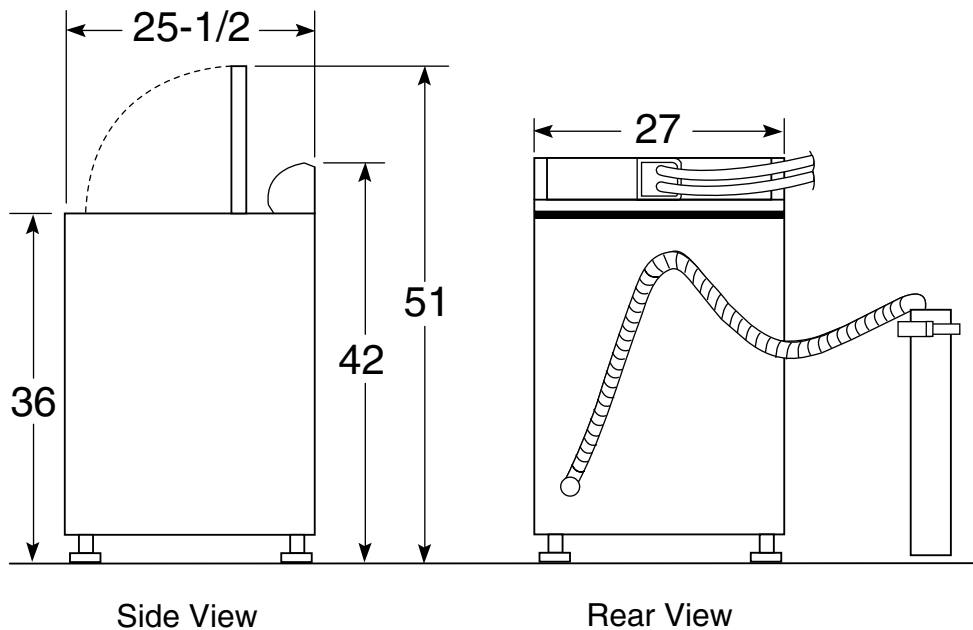




GE Appliances

WWSE3160AWW—GE Super Plus 3.2 Cu. Ft. Capacity Washer

Dimensions (in inches)



Circuit Requirements: An individual, properly-grounded branch circuit, with a three-prong grounding-type receptacle, protected by a 15 or 20 amp circuit breaker or a time-delay fuse, is required.

Electrical Rating: 115V, 60Hz, 10A

Washer Note: Washer wall outlet must be located within 36" of service cord entry. Wall outlet must not be located behind dryer.

Installation Information: For complete information, see installation instructions packed with your washer.

Specification Created 2/00

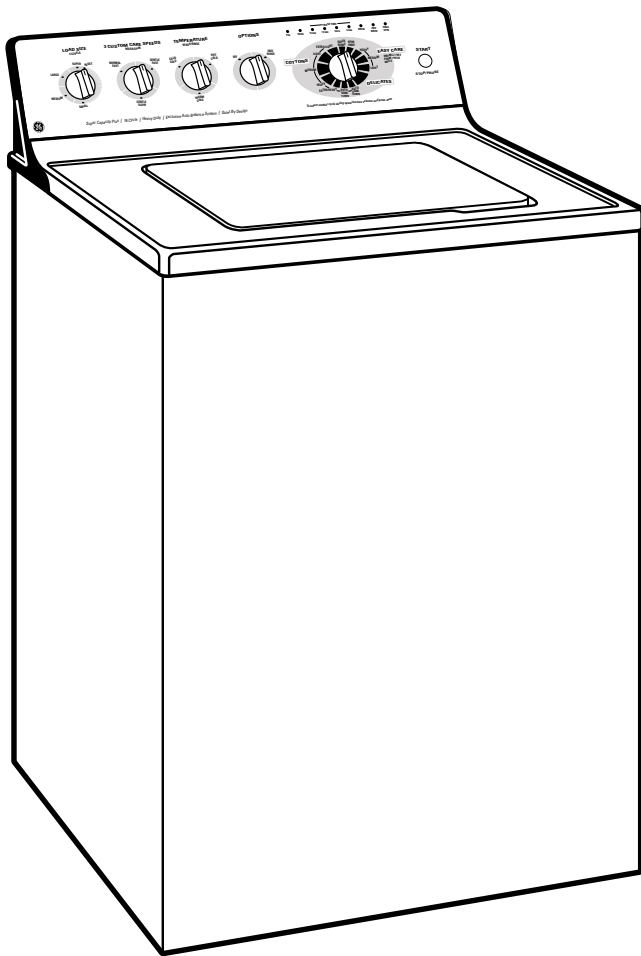
For answers to your Monogram®,
GE Profile Performance Series™,
GE Profile™ or GE appliance questions, call
GE Answer Center® service, 800.626.2000.





GE Appliances

WWSE3160AWW—GE Super Plus 3.2 Cu. Ft. Capacity Washer



Features and Benefits

- Super Plus (3.2 cu. ft.) Capacity Washer
- Auto Balance Suspension System
- 16 Wash Cycles with Cycle Countdown:
 - Cottons, Regular with Auto Soak (15/30 Min.), Extra Heavy Soil, Heavy Soil, Medium Soil, Light Soil and Extra Light Soil Cycles
 - Easy Care with Heavy Soil, Medium Soil and Light Soil Cycle
 - Delicates with Medium Soil Cycle
- Spin Only Option
- 3 Wash/Rinse Temperatures
- 2 Wash/Spin Speed Combination
- 4 Water Levels
- GentlePower™ Agitator
- Self-Cleaning Filter
- PermaTuf II™ Basket
- Quiet-By-Design™
- Fabric Softener Dispenser and Bleach Dispenser
- Color Lid Instructions
- 100% Front Serviceable
- Model WWSE3160AWW - White on white
- Model WWSE3160AAA - Almond on almond