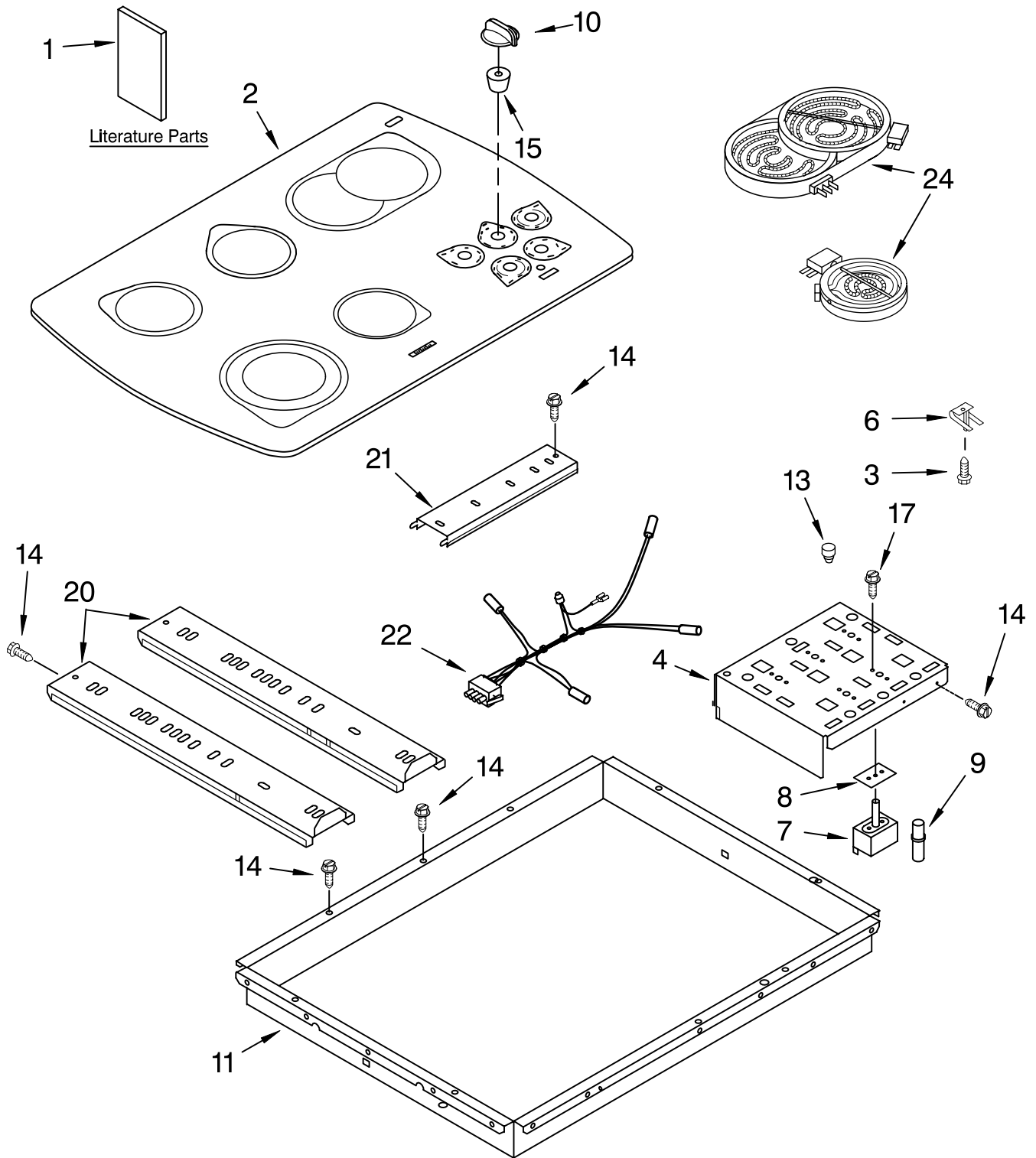


KitchenAid® COOKTOP PARTS

For Models: KECC567GBL3, KECC567GWH3, KECC567GAL3, KECC567GBT3, KECC567GWW3
(Black) (White) (Almond) (Biscuit) (Designer White)

36" ELECTRIC
BUILT-IN
COOKTOP



FOR ORDERING INFORMATION REFER TO PARTS PRICE LIST

COOKTOP PARTS

For Models: KECC567GBL3, KECC567GWH3, KECC567GAL3, KECC567GBT3, KECC567GWW3
 (Black) (White) (Almond) (Biscuit) (Designer White)

Illus. No.	Part No.	DESCRIPTION
1		Literature Parts
	LIT3191771	Installation Instructions
	LIT3191797	Wiring Diagram
	LIT3191524	Use & Care Guide
	LIT3191638	Safe Cooking Tips
2		Cooktop, Glass
	4455558	Black
	4455559	White
	4455560	Almond/Biscuit
	4455715	Designer White
3	246119	Screw
4	4455420	Bracket, Switch Mounting
6	3191791	Spring Locator(10)
	246119	Screw (8)
7		Switch, Infinite
	3191049	Use W/1500W Left Rear Burner
	3188516	Use W/1800/1000W Right Rear Burner
	3191049	Use W/1200W Right Front Burner
	3188516	Use W/1000/2400W Left Front Burner
	3191049	Use W/1400W Center Rear Burner
8	3192439	Seal, Switch Shaft
9	3191945	Light, Indicator
10		Knob, Control (4)
	9750372FF	Black
	9750372FW	White
	9750372FT	Almond
	9750372FC	Biscuit
11	4456402	Box, Burner
13	3192477	Bumper, Silicone
14	3196537	Screw
15	3182435	Seal, Switch (5)
17	311865	Screw
20	3191515	Rail, Element (2)
21	3192269	Rail, Element (1)
22	3192222	Lamp, Hot Surface Indicator Element, Surface
24		Element, Surface
	8272563	1000/2400W – LF
	4452742	1200W – RF
	8272564	1500W – CR
	4452741	1000/1800W – RR
	4452743	1500W – LR
	3183956	Seal, Switch Cover

FOR ORDERING INFORMATION REFER TO PARTS PRICE LIST

MISCELLANEOUS PARTS

For Models: KECC567GBL3, KECC567GWH3, KECC567GAL3, KECC567GBT3, KECC567GWW3
(Black) (White) (Almond) (Biscuit) (Designer White)

Illus.	Part	
No.	No.	DESCRIPTION

**FOLLOWING PARTS
NOT ILLUSTRATED**

Miscellaneous

3172515 Mtg. Hardware Kit
3192737 Seal, Heat
3192408 Bracket,
Support (2)

SPLICING WIRES--25FT.

LENGTH

242828 Wire, Black
12 Ga. 150° C
242820 Wire, Black
14 Ga. 150° C
242822 Wire, Blue
14 Ga. 150° C
242830 Wire, Brown
14 Ga. 200° C
242823 Wire, Green
14 Ga. 150° C
242824 Wire, Orange
14 Ga. 150° C
242829 Wire, Red
12 Ga. 150° C
242825 Wire, Red
14 Ga. 150° C
242831 Wire, Red
14 Ga. 200° C
242826 Wire, White
14 Ga. 150° C
242827 Wire, Yellow
14 Ga. 150° C
242832 Wire, Yellow
14 Ga. 200° C

ACCESSORY PARTS

3191048 Cleaner, Glass

WIRING HARNESS PARTS

4455275 Harness, Main
313438 Clip, Harness
3400015 Screw, Ground
3192221 Conduit

FOR ORDERING INFORMATION REFER TO PARTS PRICE LIST