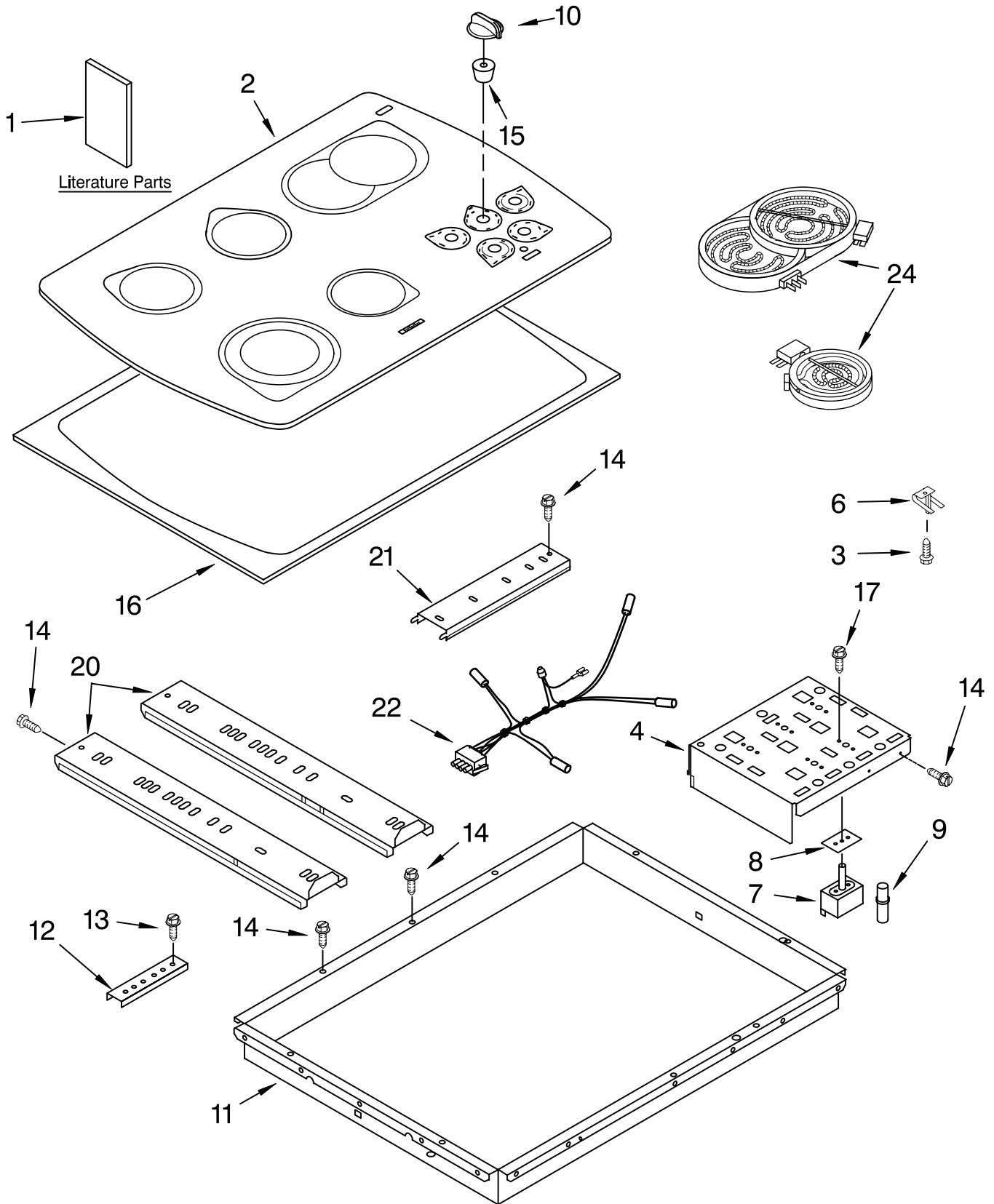


# KitchenAid® COOKTOP PARTS

For Models: KECC567KBL03, KECC567KSS03, KECC567KBT03, KECC567KWW03  
(Black) (S.Steel) (Biscuit) (Designer White)

36" ELECTRIC  
BUILT-IN  
COOKTOP



FOR ORDERING INFORMATION REFER TO PARTS PRICE LIST

# COOKTOP PARTS

For Models: KECC567KBL03, KECC567KSS03, KECC567KBT03, KECC567KWW03  
 (Black) (S.Steel) (Biscuit) (Designer White)

Illus. No.	Part No.	DESCRIPTION
1		Literature Parts
	9759087	Installation Instructions
	9759386	Wiring Diagram
	8285368	Use & Care Guide
	9759133	Safe Cooking Tips
		COOKTOP PARTS
2		Cooktop, Glass
	8284892	Black
	8284895	Biscuit
	8284894	Designer White
	8284896	S.Steel
3	246119	Screw
4	4455420	Bracket, Switch Mounting
6	9759094	Spring Locator(8)
7		Switch, Infinite
	3191049	Use W/1500W Left Rear Burner
	4456027	Use W/1800/1000W Right Rear Burner
	3191049	Use W/1200W Right Front Burner
	4456027	Use W/1000/2400W Jumper Wire
	4456028	Left Front Burner
	3191049	Use W/1400W Center Rear Burner
8	3192439	Seal, Switch Shaft
9	3191945	Light, Indicator
10		Knob, Control (4)
	9750372FF	Black
	9750372FW	White
	9750372FC	Biscuit
11	4456521	Box, Burner
12	4455917	Bracket, Mounting
13	3400093	Screw
14	3196537	Screw
15	8285469	Seal, Switch (5)
16	8284628	Frame, Cooktop (S.Steel model only)
17	311865	Screw
20	9763517	Rail, Element (2)
21	3192269	Rail, Element (1)
22	3192222	Lamp, Hot Surface Indicator
24		Element, Surface
	4453909	1200/2400W – LF
	4452742	1200W – RF
	8523697	1500W – CR
	4456507	1000/1800W – RR
	8523697	1500W – LR
	3183956	Seal, Switch Cover

FOR ORDERING INFORMATION REFER TO PARTS PRICE LIST

# MISCELLANEOUS PARTS

For Models: KECC567KBL03, KECC567KSS03, KECC567KBT03, KECC567KWW03  
(Black) (S.Steel) (Biscuit) (Designer White)

<b>Illus. No.</b>	<b>Part No.</b>	<b>DESCRIPTION</b>
-------------------	-----------------	--------------------

---

**FOLLOWING PARTS  
NOT ILLUSTRATED**

---

## Miscellaneous

3172515 Mtg. Hardware Kit  
3192737 Seal, Heat  
3192408 Bracket,  
Support (2)

## SPLICING WIRES--25FT.

### LENGTH

242828 Wire, Black  
12 Ga. 150° C  
242820 Wire, Black  
14 Ga. 150° C  
242822 Wire, Blue  
14 Ga. 150° C  
242830 Wire, Brown  
14 Ga. 200° C  
242823 Wire, Green  
14 Ga. 150° C  
242824 Wire, Orange  
14 Ga. 150° C  
242829 Wire, Red  
12 Ga. 150° C  
242825 Wire, Red  
14 Ga. 150° C  
242831 Wire, Red  
14 Ga. 200° C  
242826 Wire, White  
14 Ga. 150° C  
242827 Wire, Yellow  
14 Ga. 150° C  
242832 Wire, Yellow  
14 Ga. 200° C

## ACCESSORY PARTS

## WIRING HARNESS PARTS

4456762 Harness, Main  
313438 Clip, Harness  
3400015 Screw, Ground  
4456513 Conduit

FOR ORDERING INFORMATION REFER TO PARTS PRICE LIST