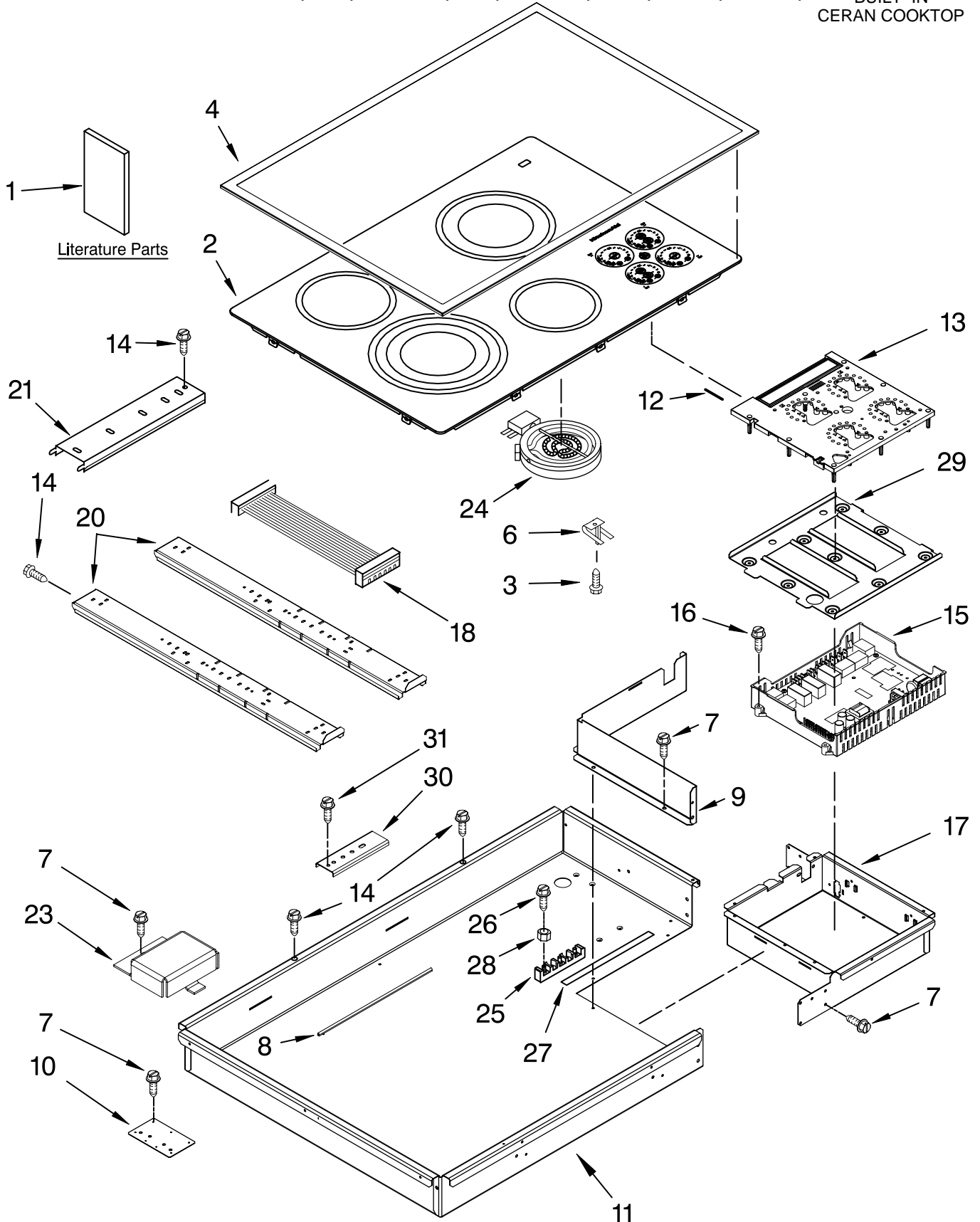


KitchenAid® COOKTOP PARTS

For Models: KECC508RPB02, KECC508RPW02, KECC508RPT02, KECC508RPS02
 (Black) (White) (Biscuit) (Stainless)

30" ELECTRIC
 BUILT-IN
 CERAN COOKTOP



FOR ORDERING INFORMATION REFER TO PARTS PRICE LIST

COOKTOP PARTS

For Models: KECC508RPB02, KECC508RPW02, KECC508RPT02, KECC508RPS02

(Black)

(White)

(Biscuit)

(Stainless)

Illus. No.	Part No.	DESCRIPTION
1		Literature Parts Installation Instructions
	8286066	Cooktop
	8304571	Undercounter Oven
	8286063	Tech Sheet
	4456992	Wiring Diagram
	8286608	Use & Care Guide Safer Cooking Tips
	3191638	English
	9759133	French
2		Cooktop, Glass
	W10048510	Black
	W10048520	White
	W10048530	Biscuit
3	246119	Screw
4	8285709	Frame, Cooktop (Stainless Only)
6	9759094	Spring Locator (8)
7	3196160	Screw
8	8285240	Seal, Heat
9	8286577	Wall, Inside
10	8286535	Bracket, Bottom
11	8286554	Box, Burner
12	3192439	Seal, Limiter (4)
13	8285922	Board, Control
14	3196537	Screw
15	8286644	Appliance Manager Module
16	4449745	Screw
17	8286575	Control Box
18	8285319	Cable Assembly
20	9763517	Rail, Element
21	8286344	Rail, Element
23	8285593	Cover, Harness
24		Element, Surface
	8285230	1200W RF
	8285938	2000/1000W RR
	8285847	2500/1800/900W LF
	4453907	1500W LR
25	4449868	Block, Terminal
26	3196163	Screw
27	8285426	Seal, Heat Shield
28	112432	Nut
29	9757815	Support, Module
30	4455917	Bracket, Mounting
31	3400093	Screw

FOR ORDERING INFORMATION REFER TO PARTS PRICE LIST

OPTIONAL PARTS (NOT INCLUDED)

For Models: KECC508RPB02, KECC508RPW02, KECC508RPT02, KECC508RPS02

(Black)

(White)

(Biscuit)

(Stainless)

<u>Illus. No.</u>	<u>Part No.</u>	<u>DESCRIPTION</u>
-------------------	-----------------	--------------------

FOLLOWING PARTS NOT ILLUSTRATED

Miscellaneous

3172515	Mounting Hardware, Kit
3192408	Bracket Support (2)
8286642	Tape, Foam

SPLICING WIRES--25FT.

LENGTH

242828	Wire, Black 12 Ga. 150° C
242820	Wire, Black 14 Ga. 150° C
242822	Wire, Blue 14 Ga. 150° C
242830	Wire, Brown 14 Ga. 200° C
242823	Wire, Green 14 Ga. 150° C
242824	Wire, Orange 14 Ga. 150° C
242829	Wire, Red 12 Ga. 150° C
242825	Wire, Red 14 Ga. 150° C
242831	Wire, Red 14 Ga. 200° C
242826	Wire, White 14 Ga. 150° C
242827	Wire, Yellow 14 Ga. 150° C
242832	Wire, Yellow 14 Ga. 200° C

ACCESSORY PARTS

4456147	Cleaner, Glass
---------	----------------

WIRING HARNESS PARTS

8286380	Wiring Harness, Surface Unit
8286382	Clip, Harness
FE02313	Bushing
3400015	Screw, Ground
8286379	Conduit Assembly

FOR ORDERING INFORMATION REFER TO PARTS PRICE LIST