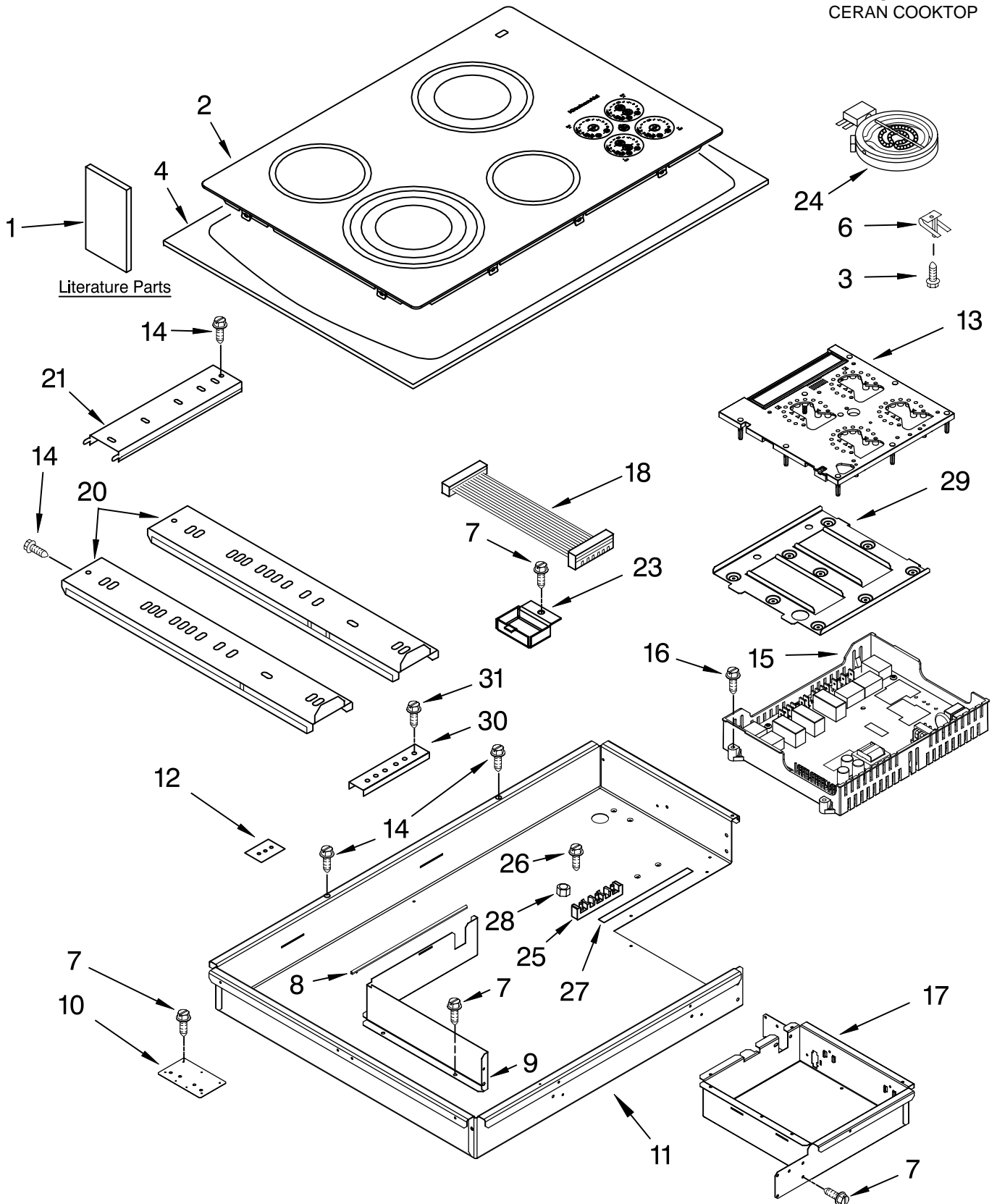


# KitchenAid® COOKTOP PARTS

For Models: KECC508RPB01, KECC508RPW01, KECC508RPS01, KECC508RPT01  
 (Black) (White) (S.Steel) (Biscuit)

30" ELECTRIC  
 BUILT-IN  
 CERAN COOKTOP



FOR ORDERING INFORMATION REFER TO PARTS PRICE LIST

# COOKTOP PARTS

For Models: KECC508RPB01, KECC508RPW01, KECC508RPS01, KECC508RPT01  
 (Black) (White) (S.Steel) (Biscuit)

Illus. No.	Part No.	DESCRIPTION
1		Literature Parts
	8286066	Installation Instructions
	8286063	Tech Sheet
	4456992	Wiring Diagram
	8286608	Use & Care Guide
	3191638	Safer Cooking Tips
	9759133	Safer Cooking Tips
2		Cooktop, Glass
	8286190	Black
	8286191	White
	8286193	Stainless Steel
	8286192	Biscuit
3	246119	Screw
4	8285709	Frame, Cooktop (Stainless Steel model only)
6	9759094	Spring Locator (8)
7	3196160	Screw
8	8285240	Seal, Heat
9	8286577	Wall, Inside
10	8286535	Bracket, Bottom
11	8286554	Box, Burner
12	3192439	Seal, Switch Shaft
13	8285922	Board, Control
14	3196537	Screw
15	8285918	Board, Power
16	4449745	Screw
17	8286575	Box, Touch Control
18	8285319	Cable Ass'y
20	8286585	Rail, Element (2)
21	8286344	Rail, Element (1)
23	8285593	Cover, Harness
24		Element, Surface
	8285230	1200W RF
	8285938	2000/1000W RR
	8285847	2500/1800/900W LF
	4453907	1500W LR
25	4449868	Block, Terminal
26	3196163	Screw, 10-16 x 7/8
27	8285426	Seal, Heat Shield
28	112432	Nut, #10-32 Hex
29	9757815	Support, Module
30	4455917	Bracket, Mounting
31	3400093	Screw

FOR ORDERING INFORMATION REFER TO PARTS PRICE LIST

# OPTIONAL PARTS (NOT INCLUDED)

For Models: KECC508RPB01, KECC508RPW01, KECC508RPS01, KECC508RPT01  
(Black) (White) (S.Steel) (Biscuit)

<u>Illus. No.</u>	<u>Part No.</u>	<u>DESCRIPTION</u>
-------------------	-----------------	--------------------

---

**FOLLOWING PARTS  
NOT ILLUSTRATED**

---

**Miscellaneous**

3172515 Mtg. Hardware Kit  
3192408 Bracket,  
Support (2)  
OPTIONAL PARTS

**SPLICING WIRES--25FT.**

**LENGTH**

242828 Wire, Black  
12 Ga. 150° C  
242820 Wire, Black  
14 Ga. 150° C  
242822 Wire, Blue  
14 Ga. 150° C  
242830 Wire, Brown  
14 Ga. 200° C  
242823 Wire, Green  
14 Ga. 150° C  
242824 Wire, Orange  
14 Ga. 150° C  
242829 Wire, Red  
12 Ga. 150° C  
242825 Wire, Red  
14 Ga. 150° C  
242831 Wire, Red  
14 Ga. 200° C  
242826 Wire, White  
14 Ga. 150° C  
242827 Wire, Yellow  
14 Ga. 150° C  
242832 Wire, Yellow  
14 Ga. 200° C

**ACCESSORY PARTS**

4456147 Cleaner, Glass

**WIRING HARNESS PARTS**

8286380 Wiring Harness  
Surface Unit  
8286382 Clip, Harness  
FE02313 Bushing  
3400015 Screw, Ground  
8286379 Conduit Assy.

FOR ORDERING INFORMATION REFER TO PARTS PRICE LIST