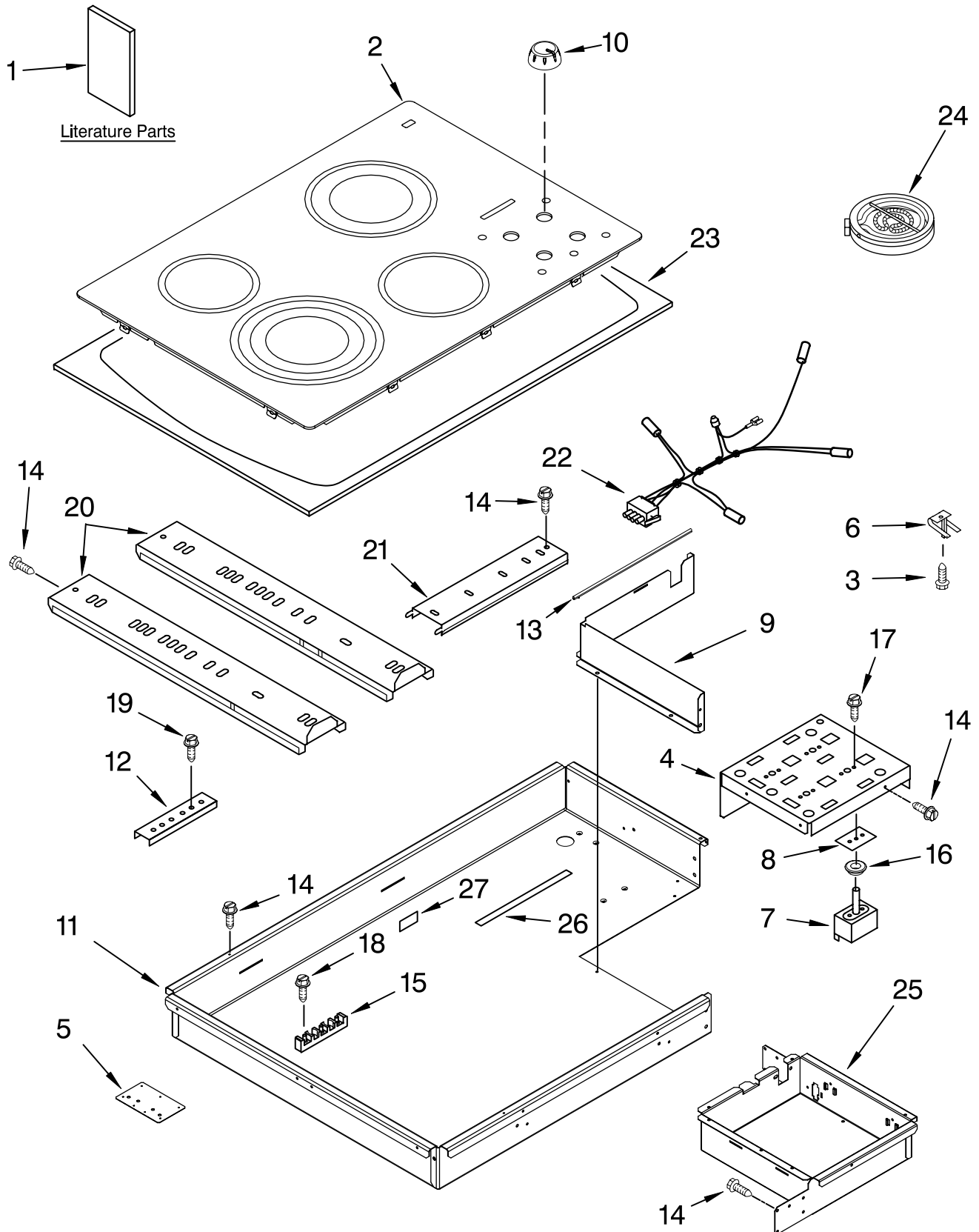


# KitchenAid® COOKTOP PARTS

For Models: KECC507RBL01, KECC507RWW01, KECC507RBB01, KECC507RSS01  
(Black) (Pure White) (Pure Biscuit) (S.Steel)

30" ELECTRIC  
CERAN  
COOKTOP



FOR ORDERING INFORMATION REFER TO PARTS PRICE LIST

# COOKTOP PARTS

For Models: KECC507RBL01, KECC507RWW01, KECC507RBB01, KECC507RSS01

(Black)                      (Pure White)                      (Pure Biscuit)                      (S.Steel)

Illus. No.	Part No.	DESCRIPTION	Illus. No.	Part No.	DESCRIPTION	Illus. No.	Part No.	DESCRIPTION
1		Literature Parts	7		Switch, Infinite	17	311865	Screw
	8286066	Installation		8286464	Single (2)	18	3196163	Screw
		Instructions		8286465	Dual	19	3400093	Screw
	8286447	Wiring Diagram		8286466	Triple	20	8286585	Rail, Element (2)
	8286608	Use & Care Guide	8	3183956	Seal, Switch Shaft	21	8286344	Rail, Element (1)
	3191638	Safer Cooking Tips	9	8286577	Wall, Inside	22	8286055	Lamp, Hot
	9759133	Safer Cooking Tips			(Heat Shield)			Surface Indicator
	8286061	Energide Label	10		Knob, Control (4)	23	8285709	Frame, Cooktop
2		Cooktop, Glass		8286096BL	Black			(S.Steel Mdl Only)
	8286210	Black		8286096WH	White	24		Element, Surface
	8286212	White		8286096BT	Biscuit		8523698	1200W LR
	8286211	Biscuit		8286096CM	Cashmere Metal		8523697	1500W RF
	8286209	S.Steel	11	8286554	Box, Burner		8285937	2000/1000W RR
3	246119	Screw	12	4455917	Bracket, Mounting		8286187	2500/1800/900W LF
4	8285935	Bracket, Switch	13	8285240	Seal, Heat	25	8286573	Box, Control
		Mounting	14	3196537	Screw	26	8285426	Seal, Heat Shield
5	8286535	Bracket, Bottom	15	4449868	Block ,Terminal	27	112432	Nut, 10-32 Hex
6	9759094	Spring Locator (8)	16		Seal, Switch			
				8285469	Black			
				8286596	Clear			

FOR ORDERING INFORMATION REFER TO PARTS PRICE LIST

# OPTIONAL PARTS

For Models: KECC507RBL01, KECC507RWW01, KECC507RBB01, KECC507RSS01

(Black) (Pure White) (Pure Biscuit) (S.Steel)

<b>Illus.</b>	<b>Part</b>
<b>No.</b>	<b>No. DESCRIPTION</b>

## Miscellaneous

3172515 Mtg. Hardware Kit  
3192408 Bracket,  
Support (2)  
OPTIONAL PARTS

---

## **FOLLOWING PARTS NOT ILLUSTRATED**

---

## SPLICING WIRES--25FT.

### LENGTH

4456028 Wire, Jumper  
242828 Wire, Black  
12 Ga. 150° C  
242820 Wire, Black  
14 Ga. 150° C  
242822 Wire, Blue  
14 Ga. 150° C  
242830 Wire, Brown  
14 Ga. 200° C  
242823 Wire, Green  
14 Ga. 150° C  
242824 Wire, Orange  
14 Ga. 150° C  
242829 Wire, Red  
12 Ga. 150° C  
242825 Wire, Red  
14 Ga. 150° C  
242831 Wire, Red  
14 Ga. 200° C  
242826 Wire, White  
14 Ga. 150° C  
242827 Wire, Yellow  
14 Ga. 150° C  
242832 Wire, Yellow  
14 Ga. 200° C

## ACCESSORY PARTS

3191048 Cleaner, Glass

## WIRING HARNESS PARTS

8286467 Wiring Harness  
3192439 Seal, Switch  
8286382 Clip (Harness)  
3400015 Screw, 10-32 x 3/8  
8286338 Conduit, Harness  
8286238 Thermostat  
(100c-94c)

FOR ORDERING INFORMATION REFER TO PARTS PRICE LIST