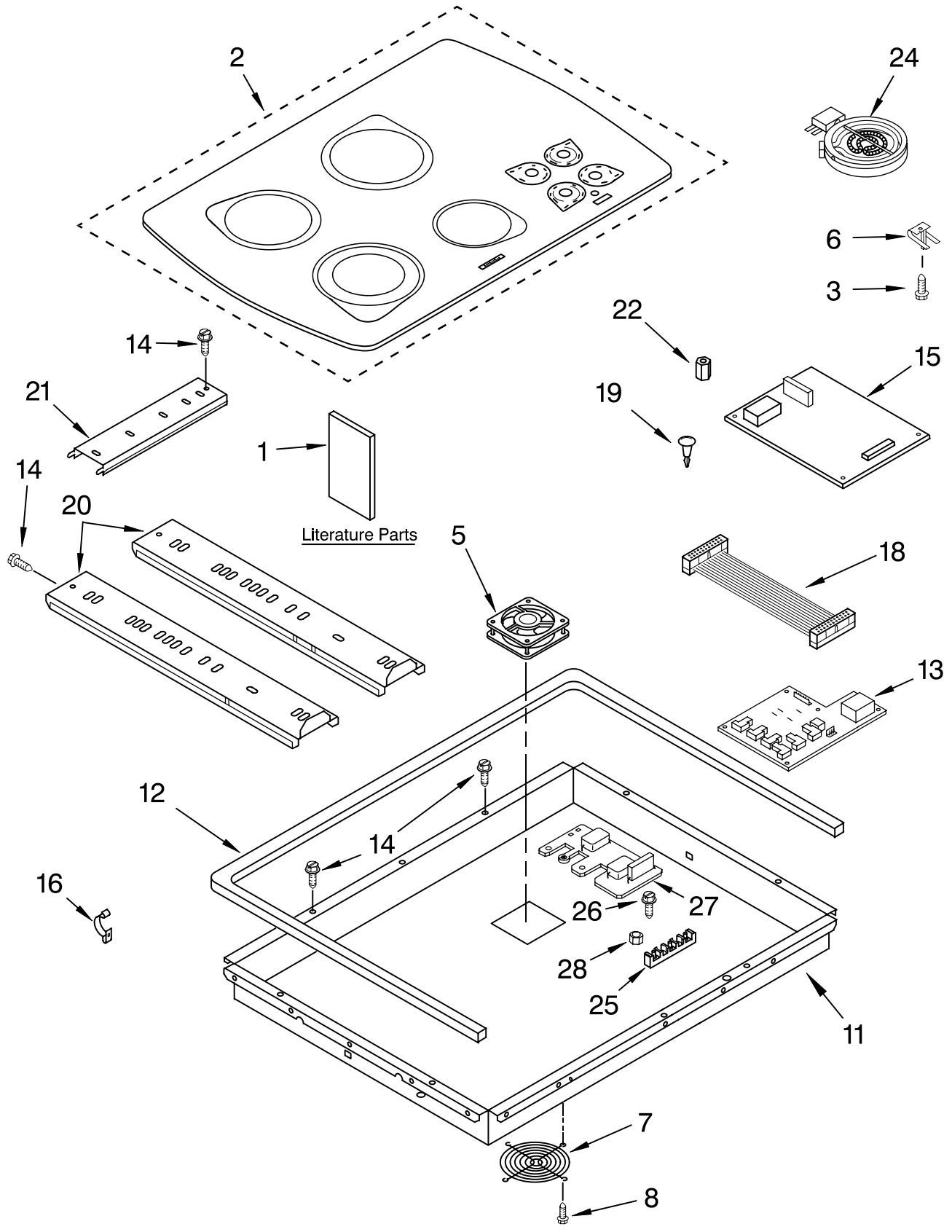


For Models: KECC508GBL1, KECC508GWH1, KECC508GBT1
(Black) (White) (Biscuit)



FOR ORDERING INFORMATION REFER TO PARTS PRICE LIST

COOKTOP PARTS

For Models: KECC508GBL1, KECC508GWH1, KECC508GBT1
 (Black) (White) (Biscuit)

Illus. No.	Part No.	DESCRIPTION
1		Literature Parts
	LIT3191771	Installation Instructions
	LIT3192472	Wiring Diagram
	LIT3191524	Use & Care Guide
	LIT3191638	Safer Cooking Tips
2		Cooktop, Glass
	4455312	Black
	4455314	White
	4455313	Biscuit
3	246119	Screw
5	3191354	Fan, Cooling
6	3191791	Spring Locator (8)
7	3191949	Guard, Fan
8	4449746	Screw (4)
11	4455318	Box, Burner
12	3192439	Seal, Burner Box
13	3192698	Board, Power
14	3196537	Screw
15	3192771	Board, Control
16	98997	Clip, Wire
18	3191913	Cable Ass'y, Flat
19	3191693	Support, Power Board
20	3191515	Rail, Element (2)
21	3192268	Rail, Element (1)
22	3191907	Standoff, Power Board
	488734	Screw
24		Element, Surface
	8272567	1200W RF - LR
	8272566	1800W RR
	8272563	1000/2400W LF
25	4449868	Block, Terminal
26	3196163	Screw, 10-16 x 7/8
27	3192767	Suppressor
28	112432	Nut, #10-32 Hex

FOR ORDERING INFORMATION REFER TO PARTS PRICE LIST

MISCELLANEOUS PARTS

For Models: KECC508GBL1, KECC508GWH1, KECC508GBT1
(Black) (White) (Biscuit)

Illus.	Part	
No.	No.	DESCRIPTION

**FOLLOWING PARTS
NOT ILLUSTRATED**

Miscellaneous

3172515 Mtg. Hardware Kit

SPLICING WIRES--25FT.

LENGTH

242828	Wire, Black 12 Ga. 150° C
242820	Wire, Black 14 Ga. 150° C
242822	Wire, Blue 14 Ga. 150° C
242830	Wire, Brown 14 Ga. 200° C
242823	Wire, Green 14 Ga. 150° C
242824	Wire, Orange 14 Ga. 150° C
242829	Wire, Red 12 Ga. 150° C
242825	Wire, Red 14 Ga. 150° C
242831	Wire, Red 14 Ga. 200° C
242826	Wire, White 14 Ga. 150° C
242827	Wire, Yellow 14 Ga. 150° C
242832	Wire, Yellow 14 Ga. 200° C

ACCESSORY PARTS

3191048 Cleaner, Glass

WIRING HARNESS PARTS

4455143	Wiring Harness Surface Unit
3400015	Screw, Ground
4455282	Harness, Hot Surface Indicator
3191521	Harness, Fan
535183	Wire, Tie
3192769	Conduit Assy.
3192770	Harness, Wire Conduit

FOR ORDERING INFORMATION REFER TO PARTS PRICE LIST