

# JENN-AIR® 30" (76.2 CM) AND 36" (91.4 CM) GAS DOWNDRAFT COOKTOP

## PRODUCT MODEL NUMBERS

JGD3430W  
JGD3536W

## GAS SUPPLY

Observe all governing codes and ordinances.

**IMPORTANT:** This installation must conform with all local codes and ordinances. In the absence of local codes, installation must conform with American National Standard, National Fuel Gas Code ANSI Z223.1 - latest edition or CAN/CGA B149 - latest edition.

### Type of Gas

Natural Gas:

This cooktop is design-certified by CSA International for use with Natural gas or, after proper conversion, for use with LP gas.

- This cooktop is factory set for use with Natural gas. If converting to LP gas, see the "LP Gas Conversion" instructions provided in the package containing literature. The model/serial rating plate located on the underside of the cooktop base has information on the types of gas that can be used. If the types of gas listed do not include the type of gas available, check with the local gas supplier.

### LP Gas Conversion:

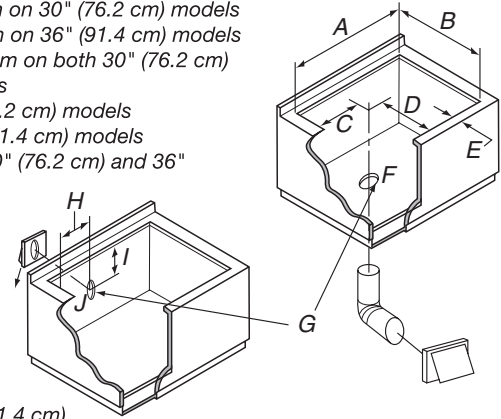
Conversion must be done by a qualified service technician. No attempt shall be made to convert the cooktop from the gas specified on the model/serial rating plate for use with a different gas without consulting the serving gas supplier. See the Gas Conversion instructions provided in the package containing literature.

## ELECTRICAL

- A 120 volt, 60 Hz, AC only, 15-amp, fused electrical circuit is required. A time-delay fuse or circuit breaker is also recommended. It is recommended that a separate circuit serving only this cooktop be provided.

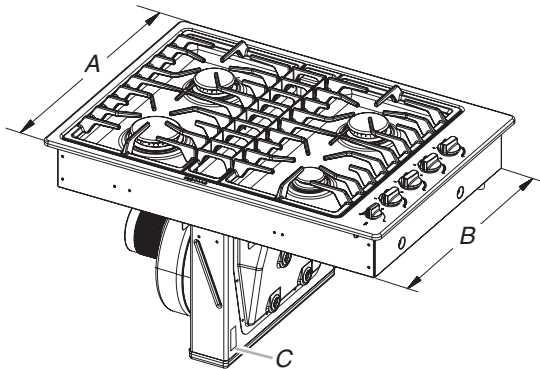
## CUTOUT DIMENSIONS

- A. 28<sup>5</sup>/<sub>8</sub>" (72.7 cm) maximum on 30" (76.2 cm) models  
34<sup>3</sup>/<sub>4</sub>" (88.3 cm) maximum on 36" (91.4 cm) models
- B. 19<sup>15</sup>/<sub>16</sub>" (50.6 cm) maximum on both 30" (76.2 cm) and 36" (91.4 cm) models
- C. 8<sup>1</sup>/<sub>2</sub>" (21.6 cm) on 30" (76.2 cm) models  
17<sup>1</sup>/<sub>2</sub>" (44.4 cm) on 36" (91.4 cm) models
- D. 5<sup>3</sup>/<sub>4</sub>" (14.6 cm) on both 30" (76.2 cm) and 36" (91.4 cm) models
- E. 2<sup>1</sup>/<sub>8</sub>" (5.4 cm) minimum space to front edge of cooktop
- F. Floor exhaust option
- G. 6<sup>1</sup>/<sub>8</sub>" (15.6 cm) for 6" vent system
- H. 8<sup>1</sup>/<sub>2</sub>" (21.6 cm) on 30" (76.2 cm) models  
17<sup>1</sup>/<sub>2</sub>" (44.4 cm) on 36" (91.4 cm) models
- I. 16" (40.6 cm) on both 30" (76.2 cm) and 36" (91.4 cm) models
- J. Wall exhaust option

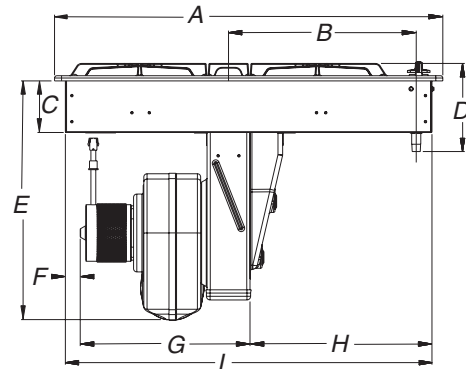


## PRODUCT DIMENSIONS

### 30" (76.2 cm) Cooktop

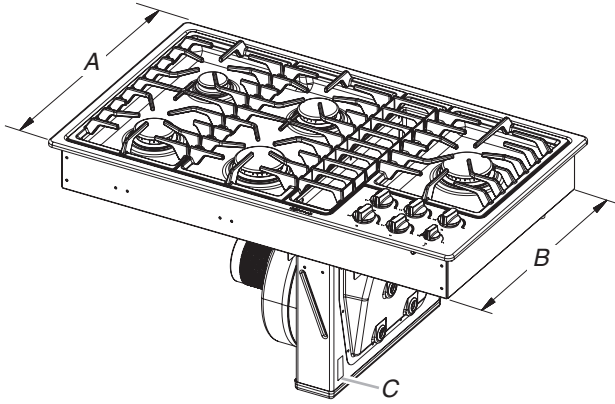


- A. 21<sup>1</sup>/<sub>2</sub>" (54.6 cm)
- B. 19<sup>1</sup>/<sub>16</sub>" (50.0 cm)
- C. Model/serial rating plate location

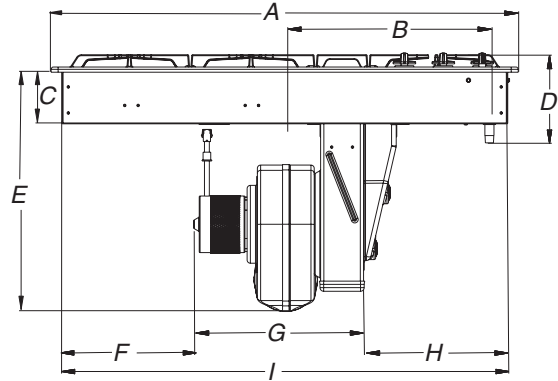


- A. 30" (76.2 cm)
- B. 12<sup>15</sup>/<sub>16</sub>" (32.9 cm) centerline of cooktop to centerline of gas manifold pipe
- C. 4" (10.2 cm)
- D. 6<sup>19</sup>/<sub>32</sub>" (16.8 cm)
- E. 18<sup>7</sup>/<sub>16</sub>" (46.8 cm)
- F. 1<sup>1</sup>/<sub>16</sub>" (4.3 cm) recommended minimum cabinet to motor clearance
- G. 12<sup>1</sup>/<sub>2</sub>" (31.8 cm)
- H. 14" (35.6 cm)
- I. 28<sup>1</sup>/<sub>4</sub>" (71.4 cm)

## 36" (91.4 cm) Cooktop

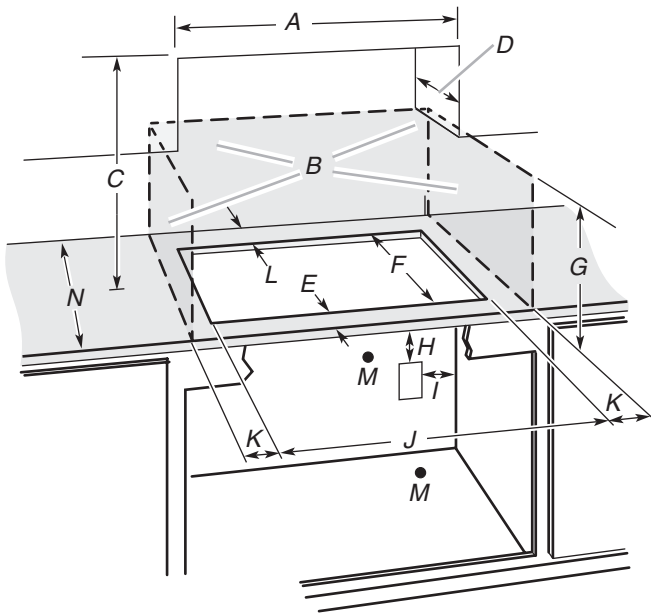


- A. 21½" (54.6 cm)
- B. 19 1⁄16" (50.0 cm)
- C. Model/serial rating plate location



- A. 36" (91.4 cm)
- B. 15¾" (40.0 cm) centerline of cooktop to centerline of gas manifold pipe
- C. 4" (10.2 cm)
- D. 6 1⁄32" (16.8 cm)
- E. 18 7⁄16" (46.8 cm)
- F. 10 3⁄8" (26.4 cm) recommended minimum cabinet to motor clearance
- G. 12 ½" (31.8 cm)
- H. 13" (33.0 cm)
- I. 34 3⁄8" (87.3 cm)

## CABINET DIMENSIONS



- A. 30" (76.2 cm) on 30" (76.2 cm) models  
36" (91.4 cm) on 36" (91.4 cm) models
- B. Combustible area above countertop (shown by dashed box above)
- C. 30" (76.2 cm) minimum clearance between top of cooktop platform and bottom of uncovered wood or metal cabinet (24" [61.0 cm] minimum clearance if bottom of wood or metal cabinet is covered by not less than ¼" [0.6 cm] flame retardant millboard covered with not less than No. 28 MSG sheet steel, 0.015" [0.04 cm] stainless steel, or 0.024" [0.06 cm] aluminum or 0.020" [0.05 cm] copper)
- D. 13" (33.0 cm) recommended upper cabinet depth
- E. 2½" (5.4 cm)
- F. 19 1⁄16" (50.6 cm)
- G. 18" (45.7 cm) minimum clearance from upper cabinet to countertop within minimum horizontal clearances to cooktop
- H. Junction box or outlet; 12" (30.5 cm) minimum from bottom of countertop
- I. Junction box or outlet; 10" (25.4 cm) from right-hand side of cabinet
- J. 28 5⁄8" (72.7 cm) on 30" (76.2 cm) models  
34 3⁄4" (88.3 cm) on 36" (91.4 cm) models
- K. 6" (15.2 cm) minimum distance to nearest left and right side combustible surface above cooktop
- L. 1" (2.5 cm) minimum clearance between back wall and countertop
- M. Gas line opening - Wall: anywhere 6" (15.2 cm) below underside of countertop. Cabinet floor: anywhere within 6" (15.2 cm) of rear wall is recommended.
- N. 25" (63.5 cm) depth of countertop

**NOTES:** After making the countertop cutout, some installations may require notching down the base cabinet side walls to clear the cooktop base. To avoid this modification, use a base cabinet with sidewalls wider than the cutout.

- A minimum side clearance of 6" (15.2 cm) is recommended between side of cooktop and side wall for maximum ventilation performance.
- A minimum clearance of 2" (5.1 cm) is recommended between the motor/blower and cabinet for proper cooling. A 6" (15.2 cm) clearance is recommended for servicing access.