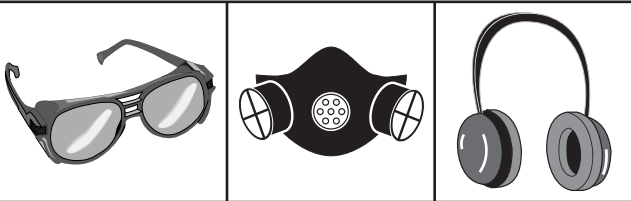




MODEL H7827 DRILL PRESS TABLE INSTRUCTIONS

⚠ WARNING

Damage to your eyes, lungs, and ears could result from using a drill press without protective gear, such as safety glasses, a respirator, and hearing protection.



Specifications

- Size..... 23³/₄" W x 11⁷/₈" D x 3" T
- Aluminum Insert T-Slots 2
- Wooden T-Slots 1
- Weight..... 10¹/₂ lbs.
- Construction Melamine-Coated MDF
- Color White

Inventory (Refer to Figures 1 & 2) Qty

- Table..... 1
- Fence..... 1
- Fence Stop 1
- Knobs 5
- Clamp Assemblies..... 2

Installation

1. File down any nicks or burrs in the drill press table, clean the surface and wipe a light coat of machine oil on the table to prevent rust if any condensation should occur.
2. Place the Model H7827 table onto the drill press table, align the clamps as shown in **Figure 2**, and snug the clamps in place.

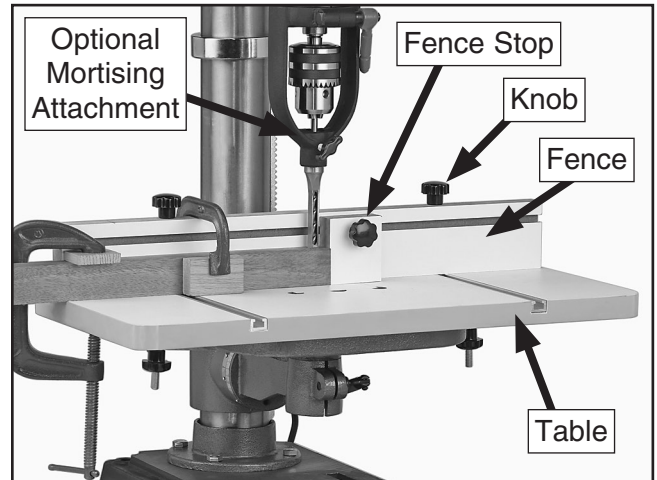


Figure 1. Drill press fitted with Model H7827 drill press table and optional mortising attachment.

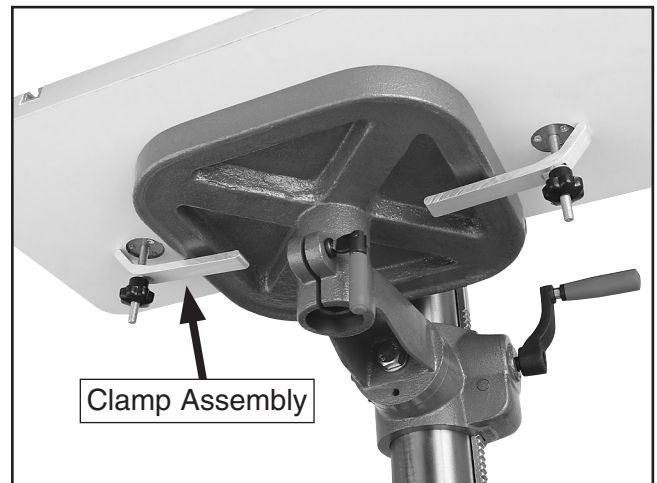


Figure 2. Installed table.

If you need help with your new item, call our Tech Support at: (570) 546-9663.

COPYRIGHT © MAY, 2009 BY GRIZZLY INDUSTRIAL, INC.

WARNING: NO PORTION OF THIS MANUAL MAY BE REPRODUCED IN ANY SHAPE OR FORM WITHOUT THE WRITTEN APPROVAL OF GRIZZLY INDUSTRIAL, INC.

#CR11853 PRINTED IN CHINA.

Operation

- Periodically verify the mounting clamps are snug, and never overtighten the hand knobs.
- To avoid drilling into the table, make sure that the drill press depth stop and drill bit alignment is correct.
- Use the table only in dry environments.
- Wipe down workpieces to ensure they are free of debris that may scratch the table.

Accessories

G1514/G1515—Mortising Attachment

A great accessory for a drill press is the mortising attachment for drilling square holes in wood. The attachment holds a variety of chisels. While the drill chuck turns the bit and cuts out the inner center, the square chisel reams out a square hole. When used with then Model H8727 Drill Press Table, the mortising attachment mounted to the table will be a backup accessory that can be used for small workpieces.

G1514 For drill press collars 1 $\frac{5}{8}$ " (41.3mm) dia.

G1515 For drill press collars 1 $\frac{7}{8}$ " (47.6mm) dia.

G9716 Adapter for G7947 & G7948 drill presses

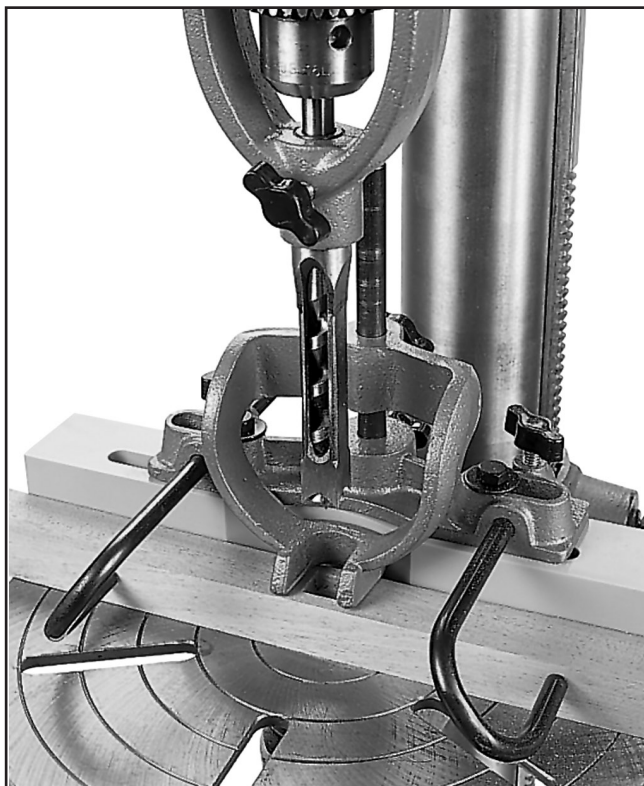
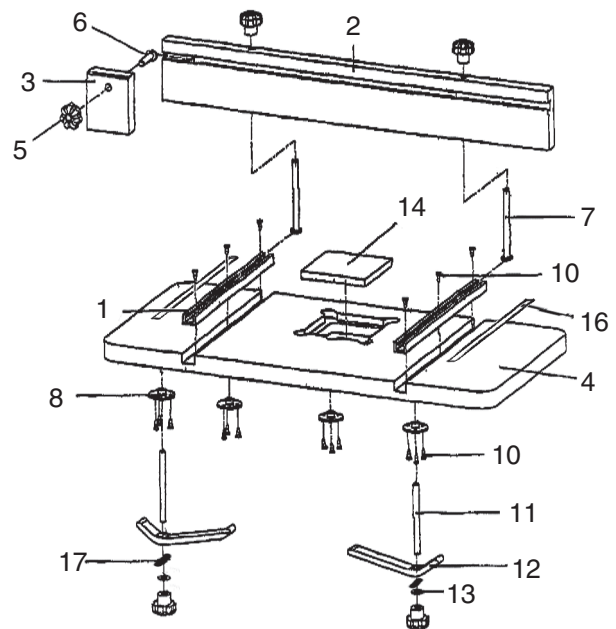


Figure 3. G1514/G1515 Mortising Attachment.

Maintenance and Care

- Keep your cast iron drill table and column rust free with regular applications of products like G96® Gun Treatment, SLIPIT®, or Boeshield® T-9.
- To avoid condensation and rust between the two tables, do not leave the Model H8727 table mounted on the drill press table for long periods of time.
- Clean the Model H8727 drill press table by vacuuming out T-slots when finished and wiping down the table and fence with any good household glass cleaner. Periodically lightly oil the hand knob threads and the studs.

Parts



REF PART #	DESCRIPTION
1	PH7827001 T-TRACK
2	PH7827002 FENCE
3	PH7827003 STOP BLOCK
4	PH7827004 TABLE
5	PH7827005 KNOB M8-1.25
6	PH7827006 T-SLOT BOLT M8-1.25 X 35
7	PH7827007 T-SLOT BOLT M8-1.25 X 75
8	PH7827008 THREADED FLANGE
10	PH7827010 FLAT HEAD SCR 9/64" X 7/16"
11	PH7827011 STUD
12	PH7827012 HOLDDOWN
13	PW01M FLAT WASHER 8MM
14	PH7827014 INSERT BLOCK
16	PH7827006 TAPE SCALE
17	PH7827007 SADDLE