

JGD3430W

## JENN-AIR® 30" GAS DOWNDRAFT COOKTOP



### KEY FEATURES

**JX3™ downdraft ventilation system with 3-speed fan** uses proximity ventilation to capture smoke, steam and odors at the cooking surface with 425 CFM.

**New downdraft cooktop design** is easy to clean and features a vertically-mounted blower system. All cooktop components are designed to work together for the best-in-class cooking performance.

**Optional duct-free kit** (not included) allows the downdraft cooktop to be installed in any home – even a high-rise or condominium. An indicator specifies when filter needs to be changed (one to two times per year).

### INDUSTRY'S BEST PERFORMING VENTILATION SYSTEM\*

### SPECIFICATIONS

- 4 Sealed Burners
- Optional Duct-Free Kit (not included)
- JX3™ Downdraft Ventilation System with 3-Speed Fan
- 425 CFM Blower
- New Downdraft Cooktop Design
- 17,000 BTU Ultra-High Output Burner
- 12,500 BTU Burner
- 9,200 BTU Burner
- 5,000 BTU Burner
- Electronic Ignition and Flame-Sensing™ Re-ignition
- Infinite Burner Control Settings
- Easy-to-Clean Short Plenum
- Dishwasher-Safe Air Grill
- Dishwasher-Safe Burner Grates and Caps
- Color-Coordinating Cast Metal Knobs
- Dishwasher-Safe Knobs
- Porcelain-on-Cast-Iron Continuous Grates
- Porcelain-Enamel/Stainless Steel Surface
- Convertible to LP (kit included)

### STYLE OPTIONS

Euro-Style Stainless – JGD3430WS

Black – JGD3430WB

White – JGD3430WW

### OPTIONAL ACCESSORIES

Duct-Free Kit – JDA7000WX

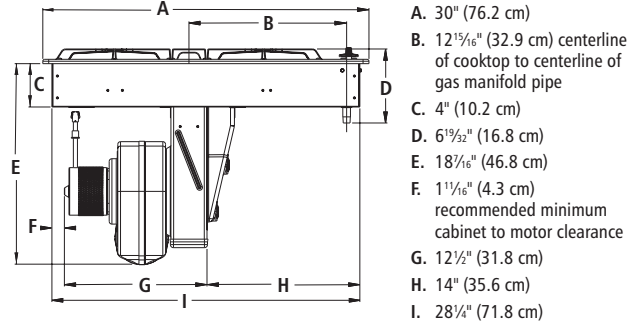
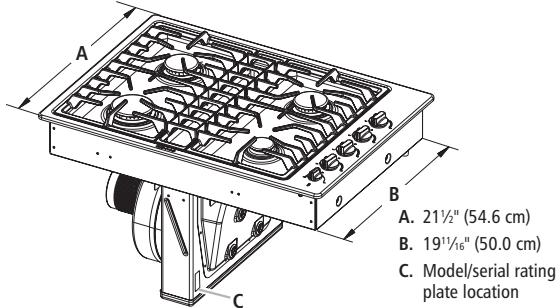
Duct-Free Filter – JDA8000WX

\*Compared to hoods and downdraft cooktops.

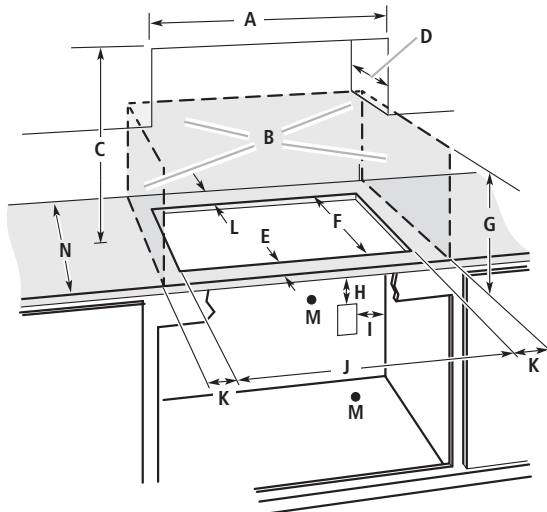
# JGD3430W

**IMPORTANT:** Dimensional specifications are provided for planning purposes only. **Do not make any cutouts based on this information.** Refer to installation instructions packaged with product *before* selecting cabinetry, making cutouts or beginning installation. All Jenn-Air® appliances are appropriately UL, CUL or CSA approved.

## PRODUCT DIMENSIONS



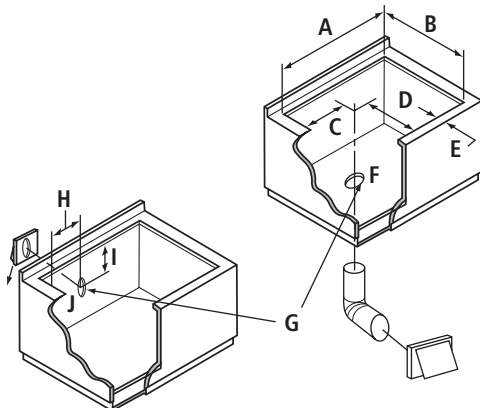
## CUTOUT DIMENSIONS



- A. 30" (76.2 cm)
- B. Combustible area above countertop (shown by dashed box)
- C. 30" (76.2 cm) minimum clearance between top of cooktop platform and bottom of uncovered wood or metal cabinet (24" [61.0 cm] minimum clearance if bottom of wood or metal cabinet is covered by not less than ¼" [0.6 cm] flame retardant millboard covered with not less than No. 28 MSG sheet steel, 0.015" [0.04 cm] stainless steel, or 0.024" [0.06 cm] aluminum or 0.020" [0.05 cm] copper)
- D. 13" (33.0 cm) recommended upper cabinet depth
- E. 2⅞" (5.4 cm)
- F. 19¼" (50.6 cm)
- G. 18" (45.7 cm) minimum clearance from upper cabinet to countertop within minimum horizontal clearances to cooktop
- H. Junction box or outlet: 12" (30.5 cm) minimum from bottom of countertop
- I. Junction box or outlet: 10" (25.4 cm) from right-hand side of cabinet
- J. 28⅞" (72.7 cm)
- K. 6" (15.2 cm) minimum distance to nearest left and right side combustible surface above cooktop
- L. 1" (2.5 cm) minimum clearance between back wall and countertop
- M. Gas Line Opening – Wall: anywhere 6" (15.2 cm) below underside of countertop. Cabinet floor: anywhere within 6" (15.2 cm) of rear wall is recommended.
- N. 25" (63.5 cm) depth of countertop

**Notes:** After making the countertop cutout, some installations may require notching down the base cabinet side walls to clear the cooktop base. To avoid this modification, use a base cabinet with side walls wider than the cutout.

- A minimum side clearance of 6" (15.2 cm) is recommended between side of cooktop and side wall for maximum ventilation performance.
- A minimum clearance of 2" (5.1 cm) is recommended between the motor/blower and cabinet for proper cooling. A 6" (15.2 cm) clearance is recommended for servicing access.



- A. 28⅞" (72.7 cm) maximum
- B. 19¼" (50.6 cm) maximum
- C. 8½" (21.6 cm)
- D. 5¾" (14.6 cm)
- E. 2⅞" (5.4 cm) minimum space to front edge of cooktop
- F. Floor exhaust option
- G. 6⅞" (15.6 cm) for 6" vent system
- H. 8½" (21.6 cm)
- I. 16" (40.6 cm)
- J. Wall exhaust option