



kitchen think

## **Instructions for Installation and Use**

**Electric Hob  
Model EX901X**

**To the Installer**

**Before installation fill in the product details on the back cover of this book.  
The information can be found on the rating plate.**

**To the User**

**You must read the instructions prior to installing and using the appliance and  
then retain them for future reference.**

# Contents

Introduction	3
For Your Safety	4
Know your Hob	5
How to use your Hob	5
Practical Advice	6
Care and Cleaning	7
Troubleshooting	7
Installation	8
Electrical Connection	9
After Sales Service	10
Hotpoint Guarantee	11
Key Contacts	Back Cover

## Retention of this Instruction Book

This Instruction Book must be kept handy for reference as it contains important details on the safe and proper use of the appliance.

If you sell or pass the appliance to someone else, or move house and leave it behind, make sure this Book is also provided so the new owner can become familiar with the appliance and safety warnings.

If the Book is lost or damaged a copy may be obtained from:  
GDA LTD., Morley Way, Peterborough, PE2 9JB

# Introduction

Your new hob is guaranteed\* and will give lasting service. This guarantee is only applicable if the appliance has been installed in accordance with the installation instructions detailed in this booklet.

To help make best use of your cooking equipment, please read this booklet carefully.

The hob is designed specifically for domestic use and responsibility will not be accepted for use in any other

When first using the hob ensure that the room is well ventilated (eg. open a window or use an extractor fan) and that persons who may be sensitive to the odour avoid any fumes. It is suggested that any pets be removed from the room until the odour has ceased. This odour is due to temporary finish on elements.

**\* The guarantee is subject to the provisions that the appliance:**

- (a) Has been used solely in accordance with this booklet.**
- (b) Has been properly connected to a suitable supply voltage as stated on the rating plate, attached to the appliance.**
- (c) Has not been subjected to misuse or accident or been modified or repaired by any person other than the manufacturers authorised employee or agent.**
- (d) Has been correctly installed.**



**This appliance conforms with the following European Economic Community directives**

- 73/23/EEC of 19/02/73 (Low Voltage) and subsequent modifications.
- 89/336/EEC of 03/05/89 (Electromagnetic Compatibility) and subsequent modifications.
- 93/68/EEC of 22/07/93 and subsequent modifications.

# For Your Safety

**When used properly your appliance is completely safe but as with any electrical product there are certain precautions that must be observed.**

**PLEASE READ THE BELOW PRECAUTIONS BEFORE USING YOUR APPLIANCE.**

To maintain the efficiency and safety of this appliance, we recommend you do the following:

- only call the Service Centres authorised by the manufacturer.
- always use genuine spare parts.

## **ALWAYS:**

- make sure you remove all packaging and dispose of safely.
- check the soundness of the appliance after it has been unpacked.
- make sure you understand the controls before using the appliance.
- keep children away from the appliance during use.
- take care to avoid heat/steam burns when operating the controls.
- make sure the controls are turned off when you have finished cooking and when not in use.
- disconnect from the power supply, and allow to cool, before cleaning or performing maintenance.
- disconnect from the power supply should any glass panel (if fitted) crack or shatter and then **DO NOT USE** the hob until it is repaired.
- refer servicing to a qualified appliance service engineer.
- keep the hob clean as a build up of grease or fat from cooking can cause a fire.
- follow the basic principles of food handling and hygiene to prevent the possibility of bacterial growth.
- dry food thoroughly before frying and lower it slowly into the hot oil or fat. Frozen food in particular, will cause frothing and spitting if added too quickly.
- keep outside of pans clean and free from streaks of oil or fat.
- place pans centrally over the hotplates making sure handles are kept away from the edge of the hob and cannot be heated by other hotplates/pans.
- keep any ventilation slots clear of obstructions.

## **NEVER:**

- attempt to install or repair the appliance without the assistance of qualified personnel.
- store items above the appliance that children may attempt to reach.
- heat up unopened food containers, as pressure can build up causing the container to burst.
- use the appliance to heat up anything other than food.
- use the appliance as a room heater.
- dry any items on the hob.
- install the appliance next to curtains or other soft furnishings.
- allow children to play with or tamper with the controls.
- leave children unsupervised where cooking appliances are installed as all the cooking surfaces get hot during and after use.
- store chemicals, foodstuffs or pressurised containers in or on the appliance, or in cabinets immediately above or next to the appliance.
- use flammable or plastic items on or near the hob.
- use adapters, multiple sockets and/or extension leads.
- fill a deep fat frying pan more than 1/3 full of oil, or use a lid. **DO NOT LEAVE UNATTENDED WHILE COOKING.**
- fry too much food at a time, especially frozen food. This only lowers the temperature or the oil or fat too much, resulting in greasy food.
- pull on the appliance or the supply cable to unplug it from the electrical outlet.
- allow power cables of other appliances to come into contact with hot parts of this appliance.
- expose the appliance to atmospheric agents, such as rain or sunlight.
- operate the appliance with wet hands.
- operate the appliance when barefoot.
- allow anyone to sit or stand on any part of the appliance.
- use misshapen pans which may be unstable.
- use fish kettles or large preserving pans across two hotplates.
- gaze at the halogen element when they are in operation.
- leave anything on the hob surface when unattended and not in use.

## **SAFETY ADVICE**

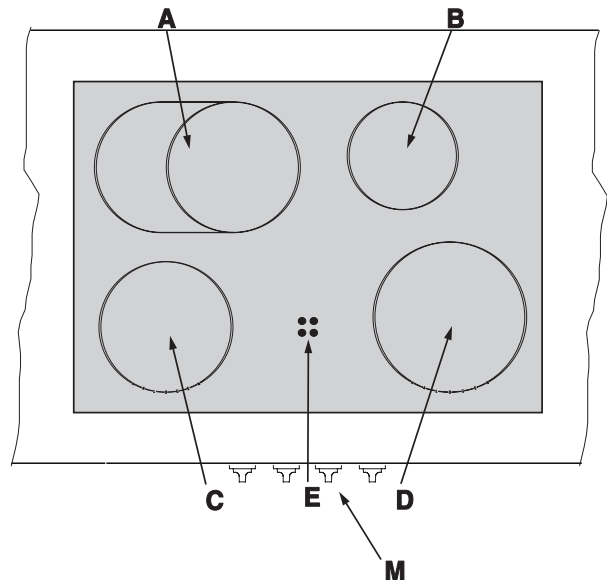
**IMPORTANT** - As with any cooking appliance there could be some fire risk attached to the heating of oil, particularly for deep fat frying. Cooking utensils containing oil must not be left unattended (eg. to answer the telephone) on or in close proximity to the cooking areas.

### **IN THE EVENT OF A CHIP PAN OR ANY OTHER PAN FIRE:**

1. Turn off the hotplates.
2. Cover the pan with a fire blanket or damp cloth, this will smother the flames and extinguish the fire.
3. Leave the pan to cool for at least 60 minutes before moving it. Injuries are often caused by picking up a hot pan and rushing outside with it.

**NEVER USE A FIRE EXTINGUISHER TO PUT OUT A PAN FIRE** as the force of the extinguisher is likely to tip the pan over. Never use water to extinguish oil or fat fires.

# Know your Hob



- A Radiant Ceramic zone 1500 W / 2500 W
- B Radiant Ceramic zone 1200 W
- C Mixed Halogen zone 1800 W
- D Mixed Halogen zone 2200 W
- E Residual heat indicator lights
- M Heating elements control knobs

## How To Use Your Hob

### Guide to using the hotplates:

**The heating elements** are circular in shape and turn red in colour 20-30 seconds after they have been turned on.

### Mixed halogen zones.

The hob utilises heating elements which are made up of two halogen lamps and a circular heating element. This combination provides ideal heat distribution across the entire surface of the cooking area. Halogen lamps provide an instantaneous emission of a large quantity of light and heat, which means they are:

- a rapid source of heat similar to that provided by gas burners;
- an equally rapid elimination of the heat source.

Halogen lamps are extremely easy to use and their operation is similar to that of other heating elements.

### The control knobs

Each cooking area is equipped with a control knob "M" to regulate the temperature at any time from a minimum of 1 to a maximum of 12. The table 1 provides information on the settings indicated on the knobs and the corresponding, recommended uses.

Setting	Automatic plate
0	Off
1	For melting butter, chocolate
2	For heating liquids
3	
4	For creams and sauces
5	
6	For cooking at boiling temperature
7	
8	For roasts
9	
10	For big boiled dishes
11	
12	For frying

The control knob of plate "A" normally only activates the round part of the plate (1500W). To activate the full oval plate (2500 W), turn knob "A" to beyond position 12 onto the symbol : a click indicates that the whole oval plate has been switched on. The same knob may now be used to set the required temperature up to 12.

### Residual heat indicator light (E)

This light indicates that the temperature of one or more cooking areas is above 60°C, even though the elements have been turned off. Some models come equipped with four such indicator lights, one for each of the four cooking areas.

# Practical Advice

## Choice of utensils:

Every Electric Hob deserves the right choice of utensils. We recommend for optimum performance the use of good quality utensils.

### PANS SHOULD NOT:

- Be concave (bowed in).
- Be convex (bowed out).
- Be rimmed.
- Be deeply ridged.

### BUT SHOULD BE ESSENTIALLY FLAT

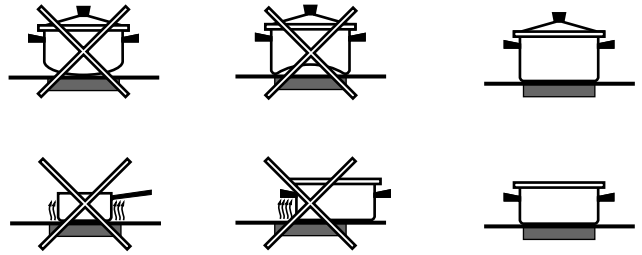
#### Always

- Use good quality flat-based cookware on all electric heat sources.
- Place pans centrally on the hotplate.
- Ensure pans have clean, dry bases before use.
- Ensure pans match the size of the heating area.
- Remember good quality pans retain heat well, so generally only a low or medium heat is necessary.
- Ensure pan handles are positioned safely and away from heat sources.
- Lift pans, do not drag.
- Use pan lids, except when frying.
- Deal with spillage immediately, but with care.

#### The Best Combinations:

Below is a general guide to the types of pan suitable for different types of hobs and cookers. Remember pans should be good quality with smooth, flat bases. For any further information refer to the manufacturers instructions.

	Suitable
Aluminium	3
Stainless Steel with single layer copper base	3
Stainless Steel with sandwich base of aluminium and stainless or aluminium and copper	3
Enamelled Steel	3
Enamelled Aluminium	3
Enamelled based cast iron	3 With Care
Cast iron	7
Copper	7
Toughened glass or ceramic / glass / pottery	7 Not Recommended
Mild steel, Ferro-magnetic or stainless with a magnetic sandwich base	3



#### Never

- Use gauze, metal pan diffusers, asbestos mats and stands eg. wok stands - they can cause overheating.
- Use utensils with skirts or rims eg. buckets and some kettles.
- Use badly dented or distorted pans.
- Leave an element on when not cooking.
- Cook food directly on the hotplate.
- Drag or slide utensils across the hotplate.
- Place large preserving pans or fish kettles across two hotplates.
- Place plastic vessels or utensils on a hot hob.
- Use the hob as an area for storage.

#### Hob Spillages:

1. Always clean up any spillage immediately with a clean cloth or a paper towel to avoid any unnecessary damage to the hob. Extreme care should be taken to avoid steam burns and hot surfaces when cleaning spillage from the hob.

2. When cooking food that contains sugar (most food) or syrup, use a utensil which is large enough to prevent boil over or spillage. **Sugar spillage will permanently damage the hob and therefore should be cleaned off with care immediately.** If sugar spillage has occurred, remove it as long as it is still hot, with a metal safety razor scraper. This will avoid any damage.

NEVER let it cool before removing.

3. Always ensure that the base of the utensil is dry before placing on the hob.

**IMPORTANT:** Extreme caution should be used when cleaning the hot hob!

## Care and Cleaning

Before cleaning or performing maintenance on your hob, disconnect it from the power supply. Check that all controls are in the OFF position before reconnecting.

**NEVER USE: Washing powder, harsh abrasive, scouring pads, aerosol cleaners or oven chemical cleaners of any kind.**

### Cleaning materials to avoid

- Household abrasive powders, eg. Vim.
- Oven chemical cleaners, aerosols and oven pads - Caustic cleaners such as these will etch the surface and attack the metal frame.
- Bath and sink cleaners may mark the surface.

### The Ceramic Hob

To reduce the amount of cleaning always ensure that the hob and cooking utensils are clean and dry before use. Regular use of cleaner conditioner is recommended for proper care and protection of the hob surface. Apply conditioner before using the hob for the first time. It contains a mild cleaning agent, so that subsequent cleaning applications may clean off soil and apply a protective film at the same time. For stubborn stains or heavy soiling use any of the following materials, and finish off with conditioner:

1. Cif, non-scratch scouring cream.
2. Liquid Gumption Kitchen Cleanser.
3. Special Powder Cleanser.

### Stainless Steel

Wipe with a cloth wrung out in warm soapy water followed by a wipe with a cloth wrung out in clean water and then dry with a soft clean cloth.

**Powder Cleanser** - Mineral deposits that are present in hard water and some foods may cause discolouration, that appear in the form of grey or brown stains. The stains sometimes appear to be in or under the glass surface. If there are any persistent stains after using any of the other recommended cleaning materials, powder cleanser may be applied, following the manufacturer's instructions. DO NOT use abrasive cleaners or powder cleanser on the painted metal framework. Pans with aluminium bases should be lifted rather than dragged across the hob surface. This will avoid metal rubbing off the pan onto the glass. Such marks are easily removed by the powder cleanser provided they are not subsequently baked on for long periods at high temperatures.

**Cleaner Conditioner** - Regular use of the conditioner will make the surface easier to clean thus ensuring that years of heavy abrasive cleaning do not progressively dull the surface. If the hob is scratched through accident or misuse, soil that collects will appear as fine brown lines; these are not fully removable but can be made less obvious by the daily use of cleaner conditioner. Cooking performance is in no way affected by scratches on the surface.

### Control Knobs

Wipe over the knobs with a soft cloth wrung out in warm soapy water or mild non-abrasive. Then, after wiping with a cloth wrung out in clear water, dry with a soft clean cloth.

### Painted Metal Surround Trim

Wipe over with a cloth wrung out in warm soapy water only. DO NOT USE ABRASIVES.

## Troubleshooting

Before calling service for assistance, check through the following list, there may be nothing wrong.

### Nothing works.

*Check to make sure that:*

- the mains wall switch is switched on.  
If a control is on, the corresponding residual heat indicator light will come on.

### Hotplates are slow to boil or will not simmer.

*Check to make sure that:*

- Your pans conform with the recommendations detailed in this book.

If, despite all of these checks, the hob does not function properly and problem persists, call Hotpoint Service (see KEY CONTACTS, back page), informing them of:

- The type of problem.
- The abbreviation used to identify the model (Mod. ...) as indicated on the warranty.

### IMPORTANT:

Never call upon technicians not authorized by the manufacturer, and refuse to accept spare parts that are not original.

# Installation

The following instructions are provided for qualified installers so that they may accomplish installation, adjustment and technical maintenance operations correctly and in compliance with current regulations and standards.

**Important: the hob should be disconnected from the mains electricity supply before any adjustment, maintenance, etc. is carried out.**

Maximum caution should be used whenever it is necessary to keep the appliance connected to the electricity supply.

## Installation

These instructions are given for a **class 1** appliance. Suitable precautions must be taken to ensure that the installation is in compliance with current accident-prevention regulations regarding electrical connection. When installing above a built-under oven, suitable air vents should be provided for as shown in fig.1 (inlet at least 200 cm<sup>2</sup> from the bottom, outlet at least 180 cm<sup>2</sup> from the top part) to allow adequate ventilation inside the housing unit.

The electricity supply cable must not touch hot parts of the oven housing, in order to avoid overheating.

When installing above a built-under oven without forced cooling ventilation, a wooden panel "A" (fig.1) should be installed beneath the hob as insulation, positioning it at a minimum distance of 15 mm from the hob housing.

For trouble-free operation of the appliance set into kitchen units, the minimum distances indicated in fig.2 should be complied with.

The hob has a protection rating Y against overheating, in accordance with standard EN60335-2-6. The surfaces adjoining the unit and the wall to the rear should be in suitable material to withstand a temperature of 65°C.

To fix the hob to the unit, proceed as follows (fig.3);

- tighten 2 screws "A" (provided) into the unit, leaving the screw heads projecting 1.5 mm from the wood;
- hook the hob onto the 2 screws "A" and push backwards;

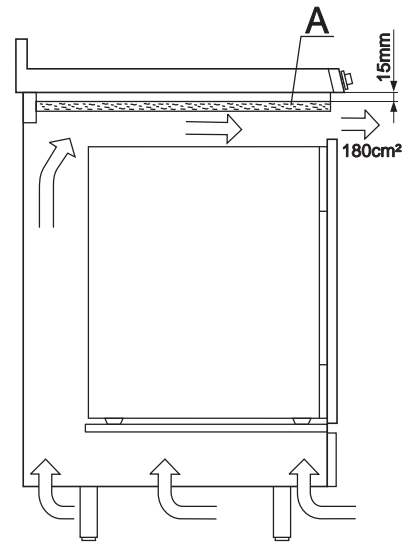


fig.1

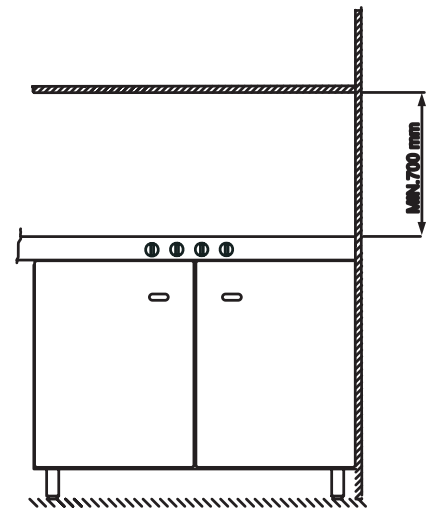


fig.2

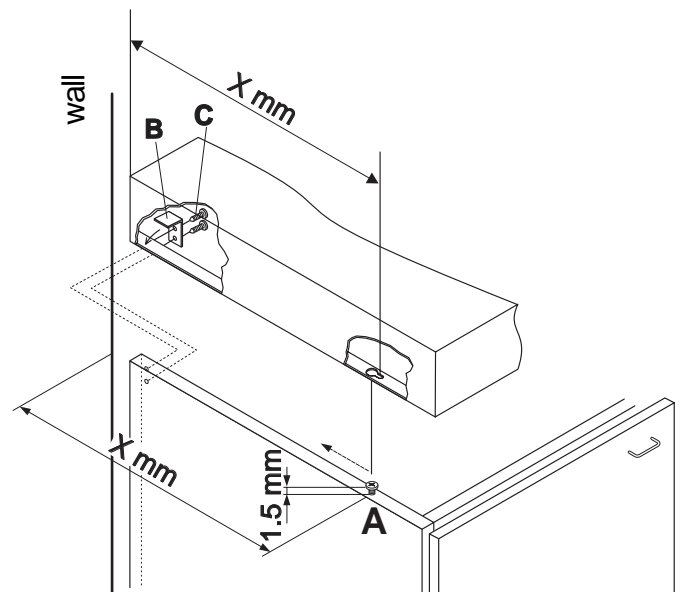


fig.3



# Electrical Connection

## Electrical Connection

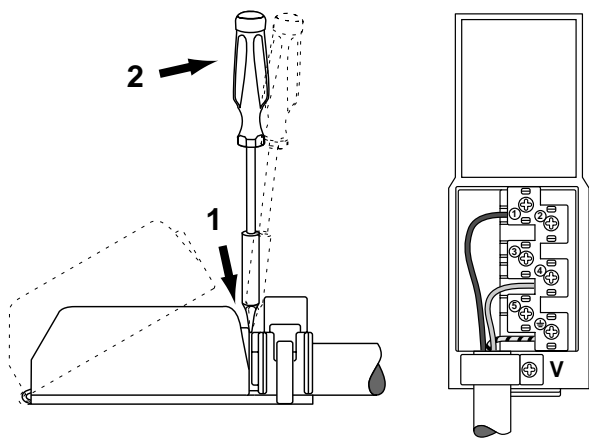
**THIS APPLIANCE MUST BE EARTHED.**

The installation procedure must be carried out by a qualified electrician.

The electrical safety of this appliance is guaranteed only if the appliance is correctly earthed in compliance with the standards of electrical safety.

The manufacturer can under no circumstances be considered responsible for any damage that might occur due to incorrect earthing of the hob.

The electric hob is not supplied with a power supply cord because the type of cord used depends on the type of electrical connection (see following diagram). Open the terminal box, following the instructions illustrated in the diagram below:



## Connecting the supply cord to the electrical mains:

A double pole mains switch must be installed between the appliance and the mains. The double pole mains switch must have a minimum of 3mm of space between the contacts, be sized to the load and comply with current regulations (the switch must not be able to disconnect the earth conductor).

The supply cord should conform to BS6004 conductor size 4mm<sup>2</sup> and must be positioned so that no part of it reaches a temperature of 50°C higher than room temperature.

Before making the connection, make sure that:

- the limiter switch (fuse) and the residual wiring can support the appliance load (see the rating plate).
- the mains system is properly earthed in compliance with current regulations and provisions.
- there is easy access to the socket or the double pole mains switch after the appliance is installed.

## IMPORTANT:

If the hob is installed above a built-in oven, the electrical connection for the hob must be independent of that for the oven, both for safety reasons and to facilitate the removal of the oven for maintenance, repair etc.

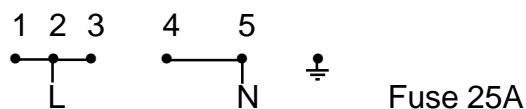
## IMPORTANT POINTS:

Your hob is supplied with a special connection cable. If ever the cable is damaged it should be replaced by an authorised service engineer only. Disconnect the hob from the electrical supply before any work is carried out.

To connect the supply cord, proceed as follows:

- Loosen the screws on the wire clamp "V", as well as the screws for the contacts.
- Insert the wires beneath the contact screws, as shown in the diagram and tighten them.
- Fasten the cord with the appropriate wire clamp and close the cover.

## Electrical Connections:



## Voltage and frequency of power supply:

230-240V

50-60Hz

7700W



## After Sales Service

**"No company is better positioned to offer an after sales service on a Hotpoint appliance than us - the manufacturer"**

As part of our commitment to you, all Hotpoint appliances have the added benefit of a fully inclusive parts and labour guarantee for the first 12 months. In addition to this you also have the advantage of **free replacement parts for the first 5 years** when fitted by a Hotpoint engineer. When the 12 months parts and labour guarantee expires we offer the following after sales service options:

### Repair Service and Information Help Desk

UK: 08709 066066

[www.theservicecentre.co.uk](http://www.theservicecentre.co.uk)

Republic of Ireland: 1850 302 200

Note: Our operators will require the Model number and the Serial number of your appliance

Available 364 days a year with a fast, effective and value for money service. We have the largest white goods repair service in the UK with over 1200 of our own fully trained engineers. All repairs include a parts and labour guarantee for 12 months from the date of the repair.

If you require any information or have any questions about your appliance, our operators are on hand with help and advice.

All this ensures that you will receive the best available after sales service possible.

### Extended Warranties

UK: 08709 088 088

[www.theservicecentre.co.uk](http://www.theservicecentre.co.uk)

Republic of Ireland: 1850 502 200

Whether you have just one or a number of Hotpoint appliances in your kitchen, we offer two service cover plans to give you total peace of mind.

- /Repair Protection Plan - FREE service repairs for a single Hotpoint appliance during the period of cover.
- /Kitchen Cover - FREE service repairs for all your Hotpoint appliances less than 8 years old.

### Genuine Parts and Accessories UK: 08709 077 077

[www.theservicecentre.co.uk](http://www.theservicecentre.co.uk)

Republic of Ireland: (01) 842 6836

A wide range of genuine parts and accessories are available from our hotline or through our web site.

**Genuine parts and accessories, extended warranties and service repairs are all available on our web-site at:**

[www.theservicecentre.co.uk](http://www.theservicecentre.co.uk)





## Guarantee

### "Satisfaction guaranteed or your money back"

We give you a unique 'satisfaction guaranteed' promise - **valid for 90 days** - after you have purchased your Hotpoint appliance. If there is a technical problem simply call Hotpoint Repair service or visit our website at [www.theservicecentre.co.uk](http://www.theservicecentre.co.uk) and where necessary, we will arrange for an engineer to call. If the technical problem is not resolved under this guarantee, **we will replace your machine or, if you prefer, give you your money back.**

All Hotpoint appliances carry a fully inclusive 12 month parts and labour guarantee as well as free replacement parts for the first 5 years (except microwaves, selected integrated appliances and cooker hoods, which have a one year guarantee) provided that they are fitted by a Hotpoint engineer.

### Guarantee terms and conditions

Your guarantee is only applicable in the United Kingdom or Republic of Ireland and is subject to the following provisions that your appliance:

- / Has been installed and used correctly in accordance with this instruction booklet.
- / Has been used solely for domestic purposes and is located on domestic premises (ie. not for commercial or trade use).
- / Has been properly connected to a suitable electrical supply voltage as stated on the appliance rating plate.
- / Has not been subject to misuse, accident, modified or repaired by anyone other than one of our own service engineers.



For pre purchase information on any other Hotpoint product call: 08701 50 60 70  
or visit: [www.hotpoint.co.uk](http://www.hotpoint.co.uk)



### Recycling & Disposal Information

As part of Hotpoint's continued commitment to helping the environment, Hotpoint reserves the right to use quality recycled components to keep down customer costs and minimise material wastage.

Please dispose of packaging and old appliances carefully.

To minimise risk of injury to children, remove the plug and cut mains cable off flush with the appliance. Dispose of these parts separately to ensure that the appliance can no longer be plugged into a mains socket.



## Key Contacts

### After Sales Service

Over 1200 trained specialists, directly employed by us, ensure that you can have complete confidence in both the appliances and services we offer.



### Repair Service and Information Desk

UK: 08709 066 066

(Open 8 to 8 Mon - Fri, 8 to 6 Sat, 10 to 4 Sun & Bank Holidays)

[www.theservicecentre.co.uk](http://www.theservicecentre.co.uk)

Republic of Ireland: 1850 302 200

Note: Our operators will require the following information:

Model number:

Serial number:

### Extended Warranties

UK: 08709 088 088

(Open 8 to 8 Mon - Sun)

[www.theservicecentre.co.uk](http://www.theservicecentre.co.uk)

Republic of Ireland: 1850 502 200

### Genuine Parts and Accessories

UK: 08709 077 077

(Open 8-30 to 5-30 Mon - Fri & 9 to 12 Sat)

[www.theservicecentre.co.uk](http://www.theservicecentre.co.uk)

Republic of Ireland: (01) 842 6836

General Domestic Appliances Limited, Morley Way, Peterborough, PE2 9JB.