

GB
English

GB

Index

Instructions for use

Installation, 4
Use, 4
Maintenance, 4

Instructions for the installer

Installation, 6
Positioning, 6
Electrical connection, 6

Assistance, 7

E320SIX

THIS APPLIANCE IS CONCEIVED FOR DOMESTIC USE ONLY. THE MANUFACTURER SHALL NOT IN ANY WAY BE HELD RESPONSIBLE FOR WHATEVER INJURIES OR DAMAGES ARE CAUSED BY INCORRECT INSTALLATION OR BY UNSUITABLE, WRONG OR ABSURD USE.

Dear customer,

We thank you and congratulate you on your choice. This new carefully de-signed product, manu-factured with the highest quality materials, has been carefully tested to satisfy all your cooking demands. We would therefore request you to read and follow these easy instructions which will allow you to obtain excellent results right from the start. May we wish you all the very best with your modern appliance!

THE MANUFACTURER

Instructions for use

GB

Installation

All operations relative to installation (electric connection) should be carried out by skilled personnel in conformity with the rules in force. As for the specific instructions see part pertaining to installer.

Use

Electric plates (Fig. 1 - 2 - 3)

Rotate the knob to the position correspondent to the needs of cooking taking into consideration that to a higher number a higher heat supply corresponds, see table "use of electric plates". "Quick and normal plates": clockwise and anticlockwise rotation with 7 fixed position (0÷6). The pilot lamp on indicates when plate is connected.

Some types of pilot lights will maintain some slight luminescence even after disconnection. That is quite normal.

N.B.:

- When one makes use of electric plates, we advise receptacles with flat bottom having same diameter or lightly higher than that of the plate;
- avoid overflows of liquid, therefore when boiling has happened or in any case when liquid is heated, reduce the heat supply;
- don't leave the electrical plates on without receptacles on the top or with void pots and pans;
- at the end of cooking take again the knob to position "0".

Maintenance

Before every operation it's necessary to disconnect the apparatus. To obtain a higher life of the apparatus concerned it's indispensable to carry out at regular intervals a carefully general cleaning bearing in mind the following:

- the s/s and/or enameled parts should be cleaned by means of suitable not abrasive or corrosive products (available on the market). Avoid chloride-base products (bleach, etc.)
- avoid leaving on the top acid or alkaline substances (vinegar, salt, lemon-juice, etc.)
- the electric plates have to be cleaned by means of a wet rag and lightly oiled with lubricant when they are still tepid.

DO NOT USE STEAM CLEANERS

USE OF ELECTRICAL PLATES	
quick-normal	intensity of heat
1	Weak
2	Gentle
3	Slow
4	Medium
5	Strong
6	Bright

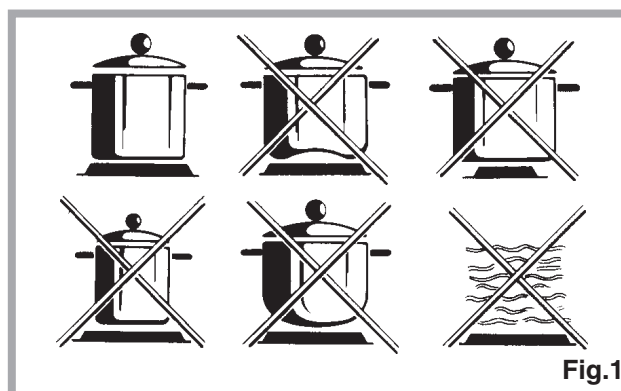


Fig.1

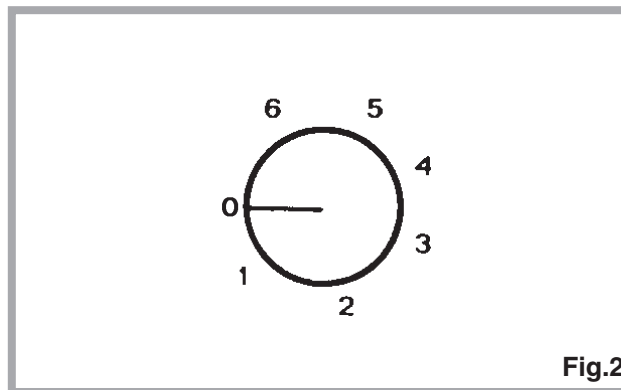
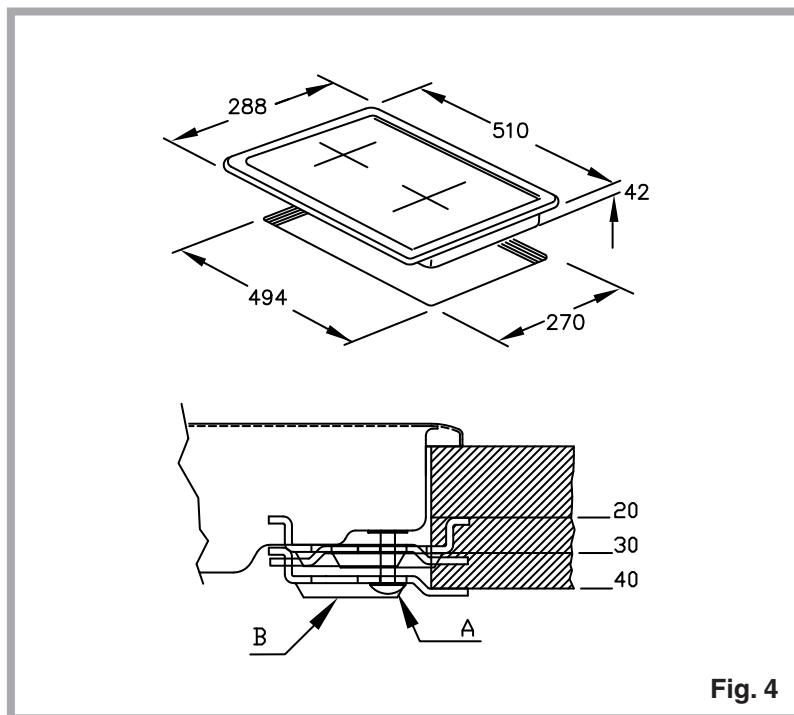
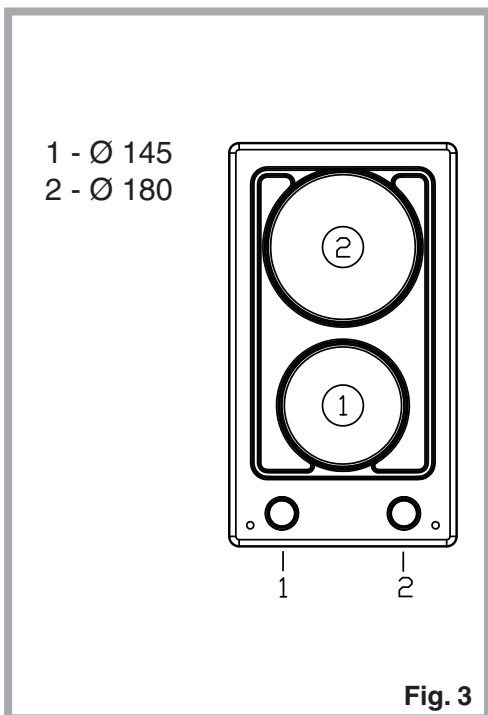
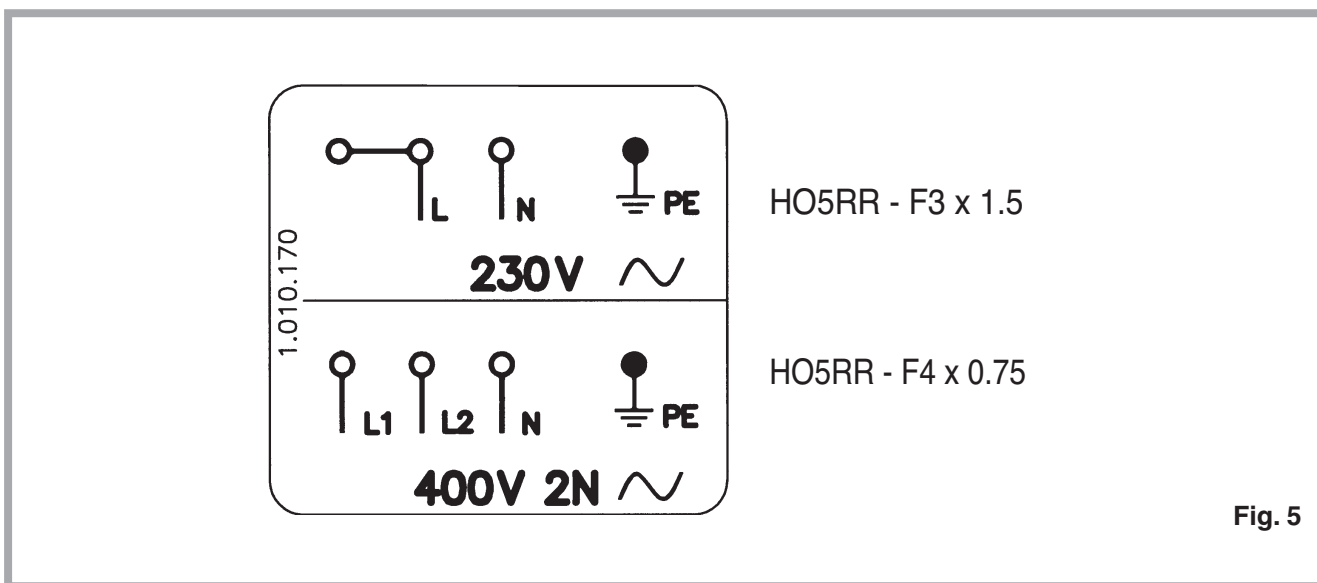


Fig.2



Apparatus class I (type Y): it can be brought near furniture being higher than the work-top



ELECTRIC PLATES			
SUPPLY	TYPE	W	REGULATION
~ 230 V	• QUICK Ø 145	1500	CLOCKWISE AND ANTICLOCKWISE ROTATION
	• QUICK Ø 180	2000	

• red point

Instructions for the installer

GB

Installation

These instructions are turned to the skilled installer as a guide to installation, regulation and maintenance in compliance with the laws and the rules in force. Any of these operations must always be carried out when the appliance has been disconnected from the electric system.

Positioning (Fig. 4)

The apparatus is provided to be built-in a work-top as shown in the special figure. Present the sealing agent along all the perimeter.

Electrical connection (Fig. 5)

Before carrying out the electrical connection be sure that:

- the characteristics of the system are such as to satisfy what indicated on the part number plate applied to the bottom of the work-top;
- that the system is provided with the effective ground in compliance with the rules and the provisions of law in force. The ground is binding according to the law. In case the apparatus isn't provided with cable and/or with relative plug make use of material suitable for the absorption indicated in the part number plate and for the working temperature. The cables should reach in no point a temperature higher 50°C than of the room temperature.

If connecting directly to the mains power supply, fit a multi-poles witch of a suitable size for the rated capacity with a clearance distance which completely disconnects the power line under over voltage category III conditions, consistently with the rules of installation (the yellow/green earth wire must not be interrupted).

The plug on the omnipolar switch should be easily reachable with apparatus installed.

N.B.:- The manufacturer declines all responsibility in case the above and the usual safety rules aren't respected.

To avoid all risk, if the power cable becomes damaged, it must only be replaced by the manufacturer, by an authorised service centre, or by a qualified electrician.

Before contacting After-Sales Service:

1. See if you can solve the problem yourself.
2. Switch the appliance on again to see if the problem has been solved. If it has not, disconnect the appliance from the power supply and wait for about an hour before switching on again.
3. If the problem persists after this course of action, contact After-Sales Service.

Specify:

- the nature of the fault,
- the model
- the service number (the number after the word SERVICE on the rating plate on the rear of the appliance)
- your full address,
- your telephone number and area code.

Never call on unauthorized technicians and always refuse to purchase non-original spare parts.

The manufacturer declines all responsibility for possible inaccuracies contained in this pamphlet, due to printing or copying errors. We reserve the right to make on our own products those changes to be considered necessary or useful, without jeopardizing the essential characteristics.



