

# PHP960SM

## GE Profile™ 36" Electric Induction Cooktop

### Dimensions and Installation Information (in inches)

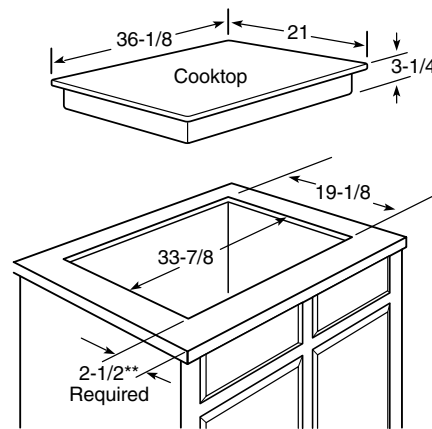
KW Rating	
240V	8.6
208V	6.5
Breaker Size	
240V	50 Amps†
208V	50 Amps†

†**Note:** Check local codes for required breaker size

**Important:** Requires a 5" free area between the bottom of the cooktop to any combustible material, i.e., shelving. Free area not required when installing wall oven underneath cooktop. Refer to installation instructions. Requires a 15" minimum from cooktop to adjacent overhead cabinets. Units are furnished with a 36" flexible armored cable.

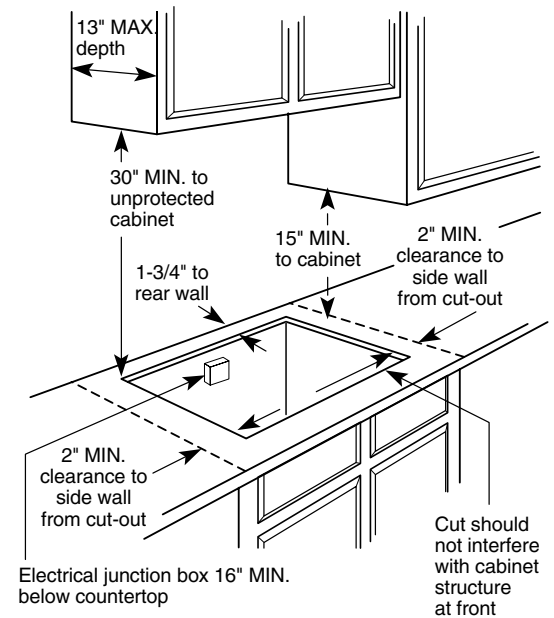
**Note:** 36" Ribbon cooktops are approved for use over GE 30" Single Wall Ovens and Warming Drawers only. Refer to cooktop and wall oven/warming drawer installation instructions packed with product for current dimensional data. If installed with a GE Profile™ Telescopic Downdraft System, consult both the cooktop and downdraft installation instructions packed with product before installing. Cooktop gas/electric supply may need to be re-routed to install downdraft. The countertop must be at least 26" deep with a flat surface area of 23-1/2" or more, front to back. In addition, other clearances to the front edge of the countertop must be considered, especially on raised bullnose countertops. Consult cabinet and countertop manufacturer's specs for flush mount installation prior to install.

**Installation Information:** Before installing, consult installation instructions packed with product for current dimensional data.



\*Depth of unit at conduit connection location (rear) is 6-1/2" on models PP980/950 and 4-5/8" on models PHP960/PP975/972/962/945/942/932/912, JP655/356/346.

\*\*Raised bull nose countertops may require up to 3/8" additional clearance to prevent interference with curved front.



For answers to your Monogram,® GE Profile™ or GE® appliance questions, visit our website at [ge.com](http://ge.com) or call GE Answer Center® service, 800.626.2000.

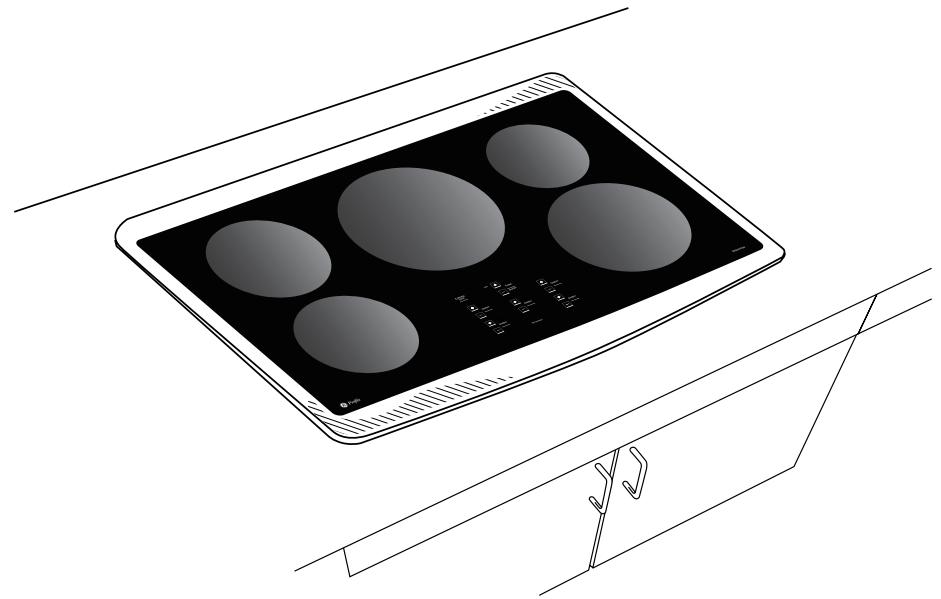


# PHP960SM

## GE Profile™ 36" Electric Induction Cooktop

### Features and Benefits

- 11" Element - Offers a large 11" surface, wide enough to handle bigger pots and pans and accommodate family meals of any size
- 11" Element - At it's highest setting, the 11" element has 3700 watts of power, providing an incredibly fast time to boil water
- Electronic Touch Controls - Offer easy, point-and-cook convenience
- 19 Control Settings - Choose from 19 different power levels to select the temperature that is perfect for your meal
- Pan Presence Sensor - Detects when a burner element is left "on" and automatically shuts it off when not in use
- Control Lock Capability - Provides the ability to lock the cooktop's controls, helping protect from unintended activation
- Electronic Kitchen Timer - Provides convenient notification to help coordinate meal preparation and cooking times
- Stainless Steel Frame - Brings an added touch of style to any decor and perfectly complements all other stainless steel appliances in the kitchen
- Hot Surface Indicator Lights - Illuminate when the cooking surface is active and hot, adding convenience and safe caution
- Heating Element "On" Light - Illuminates when the cooking surface is activated
- Upfront Controls - Controls are placed within easy reach at the front center of the cooktop
- Model PHP960SMSS - Stainless steel



imagination at work