

PP932TM/KM/BM

GE Profile™ 30" Built-In CleanDesign Electric Cooktop

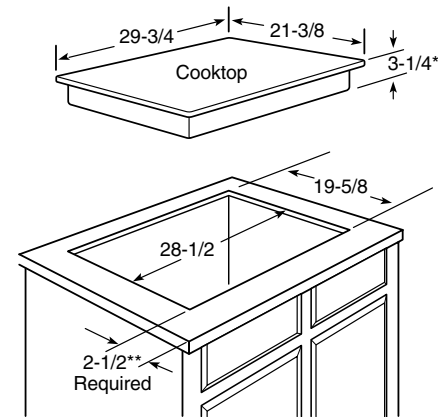
Dimensions and Installation Information (in inches)

KW Rating	
240V	8.6
208V	6.5
Breaker Size	
240V	40 Amps†
208V	40 Amps†

†**Note:** Check local codes for required breaker size
Important: Requires a 5" free area between the bottom of the cooktop to any combustible material, i.e., shelving. Free area not required when installing wall oven underneath cooktop. Refer to installation instructions. Requires a 15" minimum from cooktop to adjacent overhead cabinets. Units are furnished with a 48" flexible armored cable.

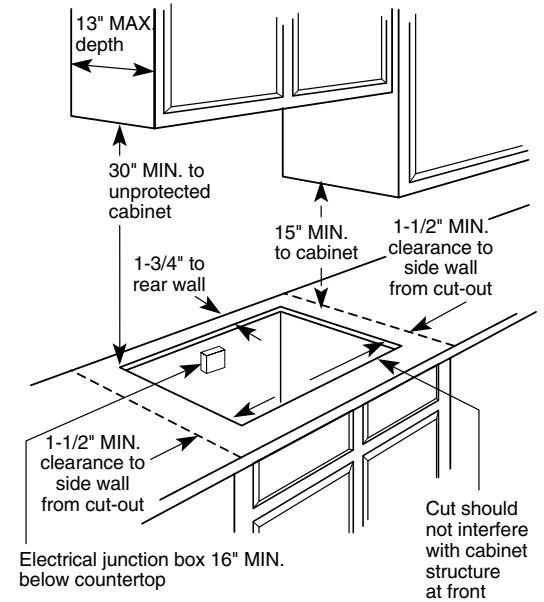
Note: 30" Ribbon cooktops are approved for use over select GE 27" and GE 30" Single Wall Ovens and Warming Drawers. Refer to cooktop and wall oven/warming drawer installation instructions packed with product for current dimensional data. If installed with a GE Profile™ Telescopic Downdraft System, consult both the cooktop and downdraft installation instructions packed with product before installing. Cooktop gas/electric supply may need to be re-routed to install downdraft. Consult cabinet and countertop manufacturer's specs for flush mount installation prior to install. **Before installing, consult installation instructions packed with product for current dimensional data.**

Filler Trim Kit: When replacing an old GE 30" cooktop (with larger opening) use the following one-piece trim kit to fill in the over-size hole. Available at additional cost. JXTR32W (True White) JXTR32B (Black glass) JXTR32C (True Bisque)



*Depth of unit at conduit connection location (rear) is 6-1/2" on models PP980/975/950/945 and 4-5/8" on models PHP900/PP972/962/942/932/912, JP655/356/346.

**Raised bull nose countertops may require up to 3/8" additional clearance to prevent interference with curved front.



For answers to your Monogram,® GE Profile™ or GE® appliance questions, visit our website at ge.com or call GE Answer Center® service, 800.626.2000.

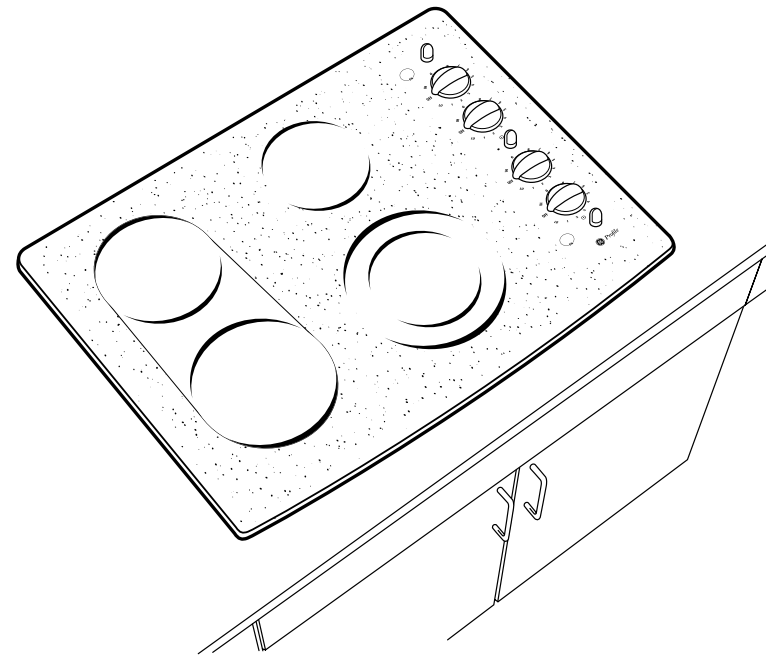


PP932TM/KM/BM

GE Profile™ 30" Built-In CleanDesign Electric Cooktop

Features and Benefits

- Ceramic Glass Cooktop - A smooth cooktop surface makes cleaning quick and easy
- Ribbon Heating Elements - Provide powerful heat beneath a smooth glass surface to ensure even heat and fast warm-up times
- PowerBoil™ Element - Accommodates various-size pots or pans and 3,000 watts of power speeds the boiling process
- Bridge Element - Combines three cooktop elements into one large cooking area, ideal for oversized cooking pans
- Control Lock Capability - Provides the ability to lock controls, helping protect from unintentional activation
- Frameless Design - A smooth and seamless cooktop surface makes cleaning quick and easy
- Dishwasher-Safe Knobs - Feature a robust construction for safe and easy cleaning
- Melt Setting - Optimized for melting chocolate, this setting delivers the low gentle heat needed
- Simmer Setting - Ideal for making delicate sauces or melting butter, and ensures a food-safe temperature of at least 140°F
- Model PP932TMWW - True white
- Model PP932KMCC - True bisque
- Model PP932BMBB - Black on black



imagination at work