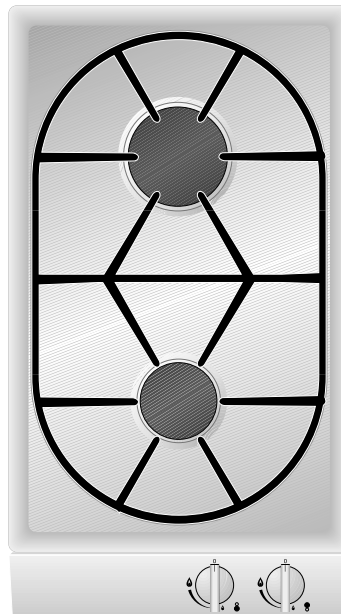


Operating and assembly instructions

VG 232 CA

Gas cooker



GAGGENAU

FOR YOUR SAFETY	Page 2
Warnings	Page 3
Preface	Page 4
1. Important notes	Page 5-6
1.1 For your safety	Page 5
1.2 Operating for the first time	Page 5
1.3 About use	Page 6
2. Structure and operating principle	Page 7-8
2.1 Structure	Page 7
2.2 Special accessories	Page 7
2.3 Operating principle	Page 8
3. Operation	Page 9
4. Cleaning and care	Page 10
5. Maintenance	Page 11
5.1 General	Page 11
5.2 Remedying slight malfunctions yourself	Page 11
6. Technical data / Settings table	Page 12

FOR YOUR SAFETY

WARNING: If the information in this manual is not followed exactly, a fire or explosion may result causing property damage, personal injury or death.

Do not store or use gasoline or other flammable vapors and liquids in the vicinity of this or any other appliance.

WHAT TO DO IF YOU SMELL GAS:

- **Do not try to light any appliance.**
- **Do not touch any electrical switch; do not use any phone in your building.**
- **Immediately call your gas supplier from a neighbor's phone. Follow the gas supplier's instructions.**
- **If you cannot reach your gas supplier, call the fire department.**

Installation and service must be performed by a qualified installer, service agency or the gas supplier.

Warnings

1. Do not allow the flame to extend beyond the edge of the cooking utensil. This instruction is based on safety considerations.
2. Do not forget that the unit becomes hot when in use. Common sense is important. Just because the flame is out, it does not mean parts still cannot be hot.
3. This appliance shall not be used for space heating. This instruction is based on safety considerations.
4. Be sure to disconnect the electrical supply before disassembly of the appliance.
5. Keep the appliance area clear and free from combustible materials, gasoline and other flammable vapors and liquids.
6. Do not obstruct the flow of combustion and ventilation air.
7. Cabinets installed above the gas cooktop must have a minimum distance of 600 mm (24").
8. The gas pressure regulator supplied with the appliance must be installed in line with the gas pipe.
9. The appliance and its individual shutoff valve must be disconnected from the gas supply piping system during any pressure testing of the system at test pressures in excess of 3,5 kPa (1/2 psig). The appliance must be isolated from the gas supply piping system by closing its individual manual shutoff valve during any pressure testing of the gas supply piping system at test pressures equal to or less than 3,5 kPa (1/2 psig).
10. **Important:**
When using a very large pot, leave a gap of at least 50 mm (2") to avoid damaging any parts in counter top wood, plastic or other non-heat-resistant materials. Never leave oil or hot fat unattended.

Note:

To avoid jeopardising the electrical safety of the appliance, it is forbidden to use high-pressure or steam jet cleaning devices.

Note:

The name plate is attached to the bottom of the unit and to the inside of the housing.

Only for installation in USA:

This installation must conform to local codes or, in absence of local codes, with the National Fuel Gas Code, ANSI Z 223.1-1988.

The installer must leave these instructions with the appliance, and the consumer should retain them for future reference. If an external electrical source is utilized, the appliance must be electrically grounded in accordance with local codes, with the National Electrical Code ANSI/NFPA 70-1993.

Only for installation in Canada:

This installation must conform local codes or, in the absence of local codes, with the current CAN/CGA-B 149 Installation Code. The installer must leave these Instructions with the appliance and the Consumer should retain them for future reference.

This appliance when installed, must be electrically grounded in accordance with local codes or, in the absence of local codes, with the current CSA Standard C 22.1-Canadian Electrical Code, Part I.

For mobile Housing and Recreational Vehicle installation must conform with the following:

CAN/CSA Z240 MH
CAN/CSA Z240 RV

Installation Requirement For Gas Burning Appliances And Equipment In Mobile Homes CSA Standard C 22:1 - Canadian Electrical Code Part 1 and /or local Codes.

Preface

Cooking with your new gas cooker will be even more fun than before.

The appliance offers you the following **advantages:**

- Regulation from hot to cold in seconds.
- High safety standard thanks to thermal protection elements for all burners.
- Thanks to the novel installation method implemented, installation is child's play!

To ensure that you will be able to use this appliance in all its diversity, read through the operating and assembly instructions conscientiously **before operating** it for the first time. The instructions contain important notes on use, installation and maintenance of the appliance.

You will find notes on page 5 that you ought to observe **before operating the appliance for the first time.**

The chapters entitled **“Structure and operating principle”** and **“Operation”** tell you all the things your cooker is capable of doing and how to operate the appliance.

The chapter entitled **“Cleaning and care”** will make sure that your appliance will stay operable and beautiful for a long time.

And now we wish you lots of fun cooking.

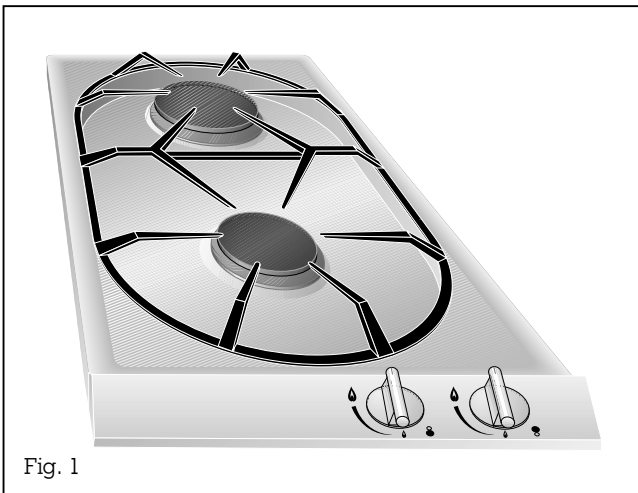


Fig. 1

1. Important notes

1.1 For your safety

You must not operate the appliance if it is damaged.

When connecting electrical appliances in the proximity of the appliance, make sure that connecting leads do not come into contact with hot cooking surfaces!

As the user, you yourself are responsible for maintenance and proper use in the household.

Only ever operate the appliance under supervision.

Do not operate the appliance without pots and pans placed on it. Make sure that all the burner parts are correctly fitted.

Important: The appliance heats up during operation. Keep children away.

Note:

If you have fitted the appliance cover VD 201-010 (special accessory) on the appliance, it must not be closed until the appliance has cooled down completely. Do not operate the appliance with the cover closed! Heat development may damage the appliance and the cover. Do not use the appliance cover as a surface for placing objects or for keeping things warm.

Do not clean the appliance with a steam cleaning apparatus or with water pressure - **risk of short-circuits!**

Isolate the appliance from the mains during every maintenance operation. To do this, remove the mains plug or actuate the corresponding fuse. Close the gas supply.

Repairs must be carried out by authorised specialists, thus ensuring electrical safety.

No warranty claims can be lodged for any damage resulting from failure to observe these instructions.

Observe caution with oils and fats. They may overheat and burn easily.

Foodstuffs that are prepared in fat and oil must only be prepared under constant supervision!

Technical modifications reserved.

1.2 Operating for the first time

Before operating the appliance for the first time, please pay attention to the following notes:

The appliance must only be connected by an authorised specialist.

Read through these instructions attentively before operating the appliance for the first time.

Note:

The rating plate for this appliance is included on a separate sheet. Keep the rating plate in a safe place along with your operating and assembly instructions.

Remove the packaging from the appliance and dispose of it properly.

Keep packaging elements away from children.

Thoroughly clean the appliance and accessories before using them for the first time. This will eliminate any "newness" smells and soiling (see chapter entitled "Cleaning and care").

1.3 About use

The appliance is intended solely for use in the household and must not be put to any other uses.

Use the appliance to prepare meals only. It must not be used to heat up the room in which it is installed.

Use of a gas cooker generates **heat and humidity** in the room where it is installed. This is why attention must be paid to good kitchen ventilation.

The **natural ventilation openings** must be kept unobstructed. Prolonged use of the appliance with several or all rings may call for additional ventilation such as opening a window or a door, or stronger air extraction by an extractor hood.

To guarantee good combustion, the room in which the appliance is installed must have a minimum volume of 10 m³ and must possess a door that opens outdoors or a window that can be opened.

Only ever use the burners **after placing pots and pans on them. Do not heat up any empty pots or pans**; this may result in a build-up of heat. Use pots and pans with thicker bottoms because heat distribution is particularly improved in the low setting. The better the size of pots and pans is adapted to the burner size, the better the heat of the gas flame will be exploited and the more costs will be saved.

Cooking vessels with curved bottoms, e.g. woks, must not be used.

It is not permitted to use roasting pans, frying pans or grill stones heated simultaneously by several burners because the resulting heat build-up may damage the appliance.

Switch the burners to the low setting whenever you remove pots or pans briefly. In this way, you reduce the risk of burns when working next to naked flames; you also save gas and reduce pollution.

Whenever the gas hob is fitted under a vapour extractor hood, always cover the rings with pots or pans. Otherwise, parts of the vapour extractor hood may become damaged by the extreme heat development or grease residues in the filter may ignite. **Ensure an adequate supply of air when using a vapour extractor operating in the exhaust air mode.**

After igniting, keep the control knob pressed for around **5-8 seconds** more because the heat sensor that opens the gas channel has to warm up first.

In the event of a **power failure**, you can also ignite the unit with matches or any other ignition aid. The thermal protection facility that prevent gas from flowing out in the open position functions without restriction.

Pots with a diameter of less than **90 mm (3¹⁷/₃₂"**) or more than **220 mm (8⁵/₈"**) should not be used. When using larger pots, pay attention to keeping to a minimum distance of **50 mm (2")** between the cooking vessel and combustible surroundings. A minimum distance of **15 mm (1⁹/₃₂"**) must be observed between the control knob and the pot or pan.

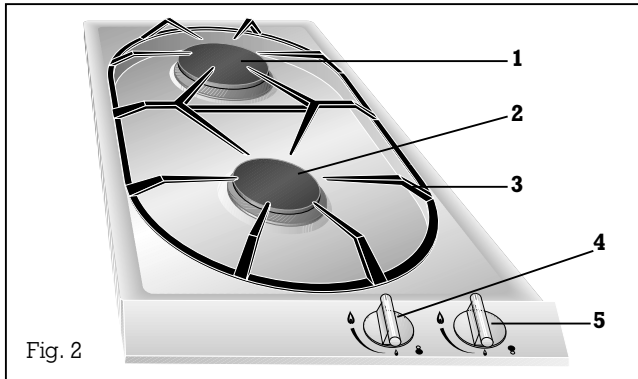
In the event of **malfunctions**, contact your specialist dealer or your responsible Gaggenau after-sales service.

Tip: When buying pots, pay attention to the fact that the manufacturer frequently specifies the top pot diameter, which is generally larger than the diameter of the base.

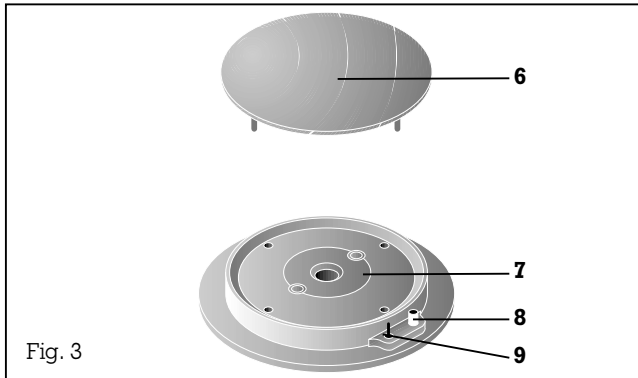
Observe the manufacturer's specification! Use cooking utensils that the manufacturer states as being "suitable for gas". Preferably use the larger cooking zone for brief cooking, deep fat frying and brief frying of large quantities. Preferably use the smaller ring for soaking, warming up and keeping warm, even when large quantities are involved.

2. Structure and operating principle

2.1 Structure



- 1 High-power burner B 9500 BTU (2.8 kW)
- 2 Normal burner A 6500 BTU (1.9 kW)
- 3 Pot support
- 4 Control knob for the front cooking position
- 5 Control knob for the rear cooking position



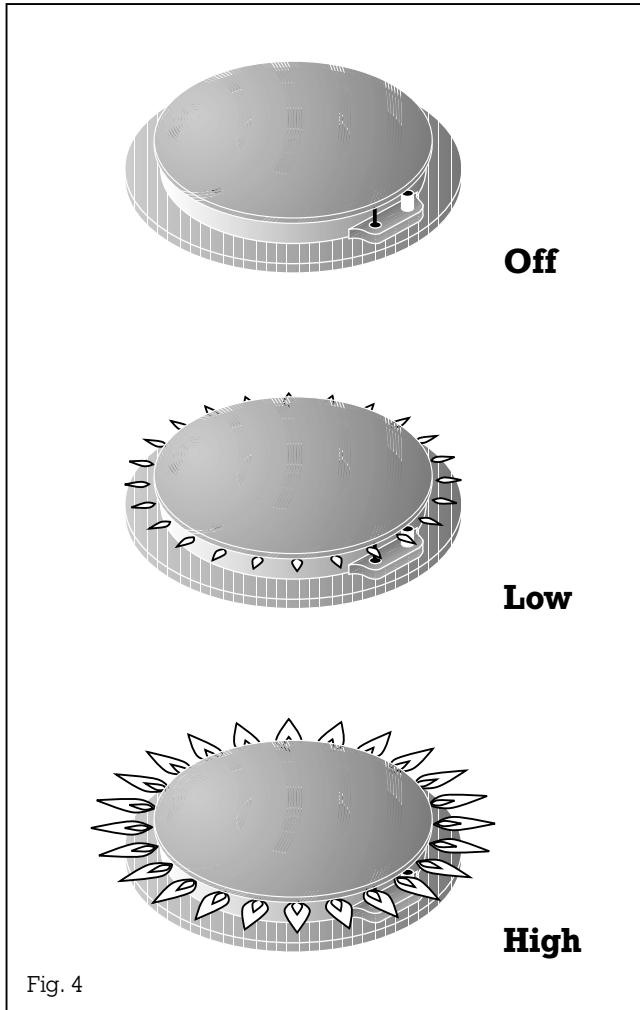
- 6 Burner cover
- 7 Burner head
- 8 Spark plug for automatic ignition
- 9 Thermal sensor for flame monitor

2.2 Special accessories

You can order the following special accessories:

- **VV 200-000**: Connecting strip
- **VD 201-010**: Appliance cover (If an appliance cover is fitted, the pot support must be removed when closing.)

2.3 Operating principle



The appliance features one-hand operation. That is to say, the ignition is activated when the control knob is pressed briefly.

After igniting, keep the control knob pressed for around **5-8 seconds** more because the heat sensor that opens the gas channel has to warm up first.

The gas hob has 1 **normal burner** (front burner) and 1 **high-intensity burner** (rear burner). All burners have a **thermal protection** device that prevents unburned gas from escaping in the open position.

The **total rated thermal load** amounts to: 16000 BTU (4.7 kW) referred to H_g^* (gross calorific value)

14300 BTU (4.2 kW) referred to H_i (calorific value)
The specified rated load is defined by installation of the fixed nozzles.

The gas hob is converted to a **different gas type** by nozzle replacement (full and low-burning nozzles) (see nozzle table on p. 12).

The **symbols on the control panel** mean:

- 0 Off
- 🔥 High setting
- 🔥 Low setting

The flame is infinitely variable between high and low-setting.

Maintenance Instructions

- Keep appliance area clean and free from combustible materials, gasoline and other inflammable vapors and liquids.
- Do not obstruct the flow of combustion and ventilation air.
- Visually check burner flames with this pictorial representation (see figure 4).

3. Operation

The cooking positions must only be ignited when all burner parts are fitted. Otherwise, malfunctions may occur on the ignition unit.

Switching on (Fig. 5):

- Place a pot or a pan on the corresponding cooking position.
- Fully press in the control knob for the corresponding cooking position. This activates the ignition. Keep the control knob pressed!
- Turn the control knob to the left to the ♠ “high” position.

If the flame should not ignite within **2 to 4 seconds**, turn the control knob further to the left to the ♠ “low” position and then back to the ♠ “high” position after ignition. It is often faster to ignite in the low position because the various gases have a differing ignition response.

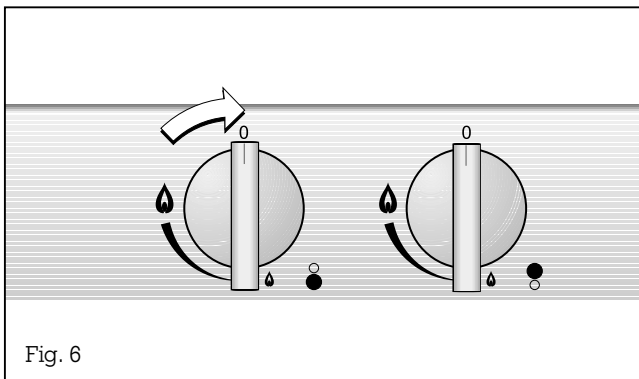
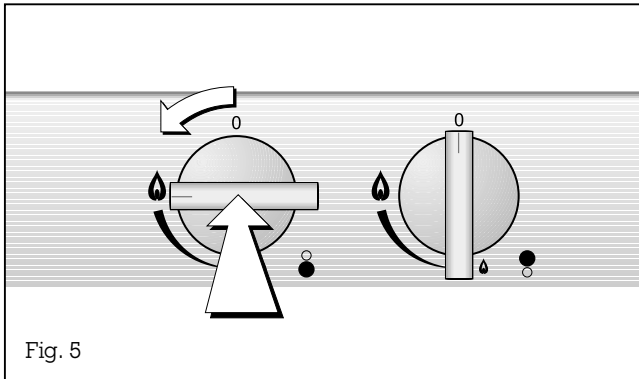
After igniting, keep the control knob pressed for around **5 - 8 seconds** more because the heat sensor that opens the gas channel has to warm up first.

Repeat the operation if the flame should go out again.

The flame size can be set continuously between full and low by slowly turning the control knob.

Switching off (Fig. 6):

Fully turn the control knob to the left to the 0 position on the left.



4. Cleaning and care

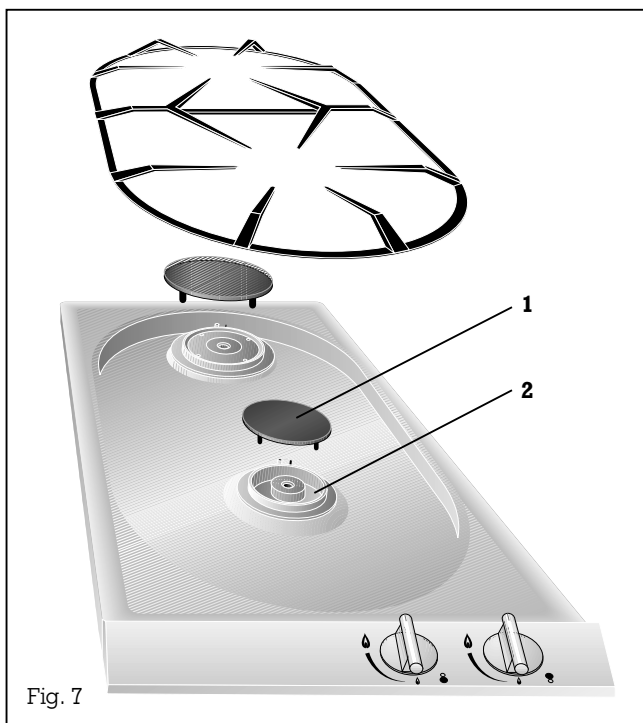


Fig. 7

Wipe off spilt food immediately, thus ensuring that it cannot burn in on the hob.

Caution! The burner gets very hot during operation!

Never use abrasive or caustic cleaning agents.

You should only clean the **control panel** and the **control knobs** with detergent and a soft cloth.

To ensure perfect functioning, **keep** the thermal sensor and the spark plug clean.

Keep the **incoming air openings** on the rear of the panel unobstructed and clean.

Please thoroughly clean the appliance **before operating it for the first time and after every use.**

- **Wait until the appliance has cooled down.**
- Remove the **pot grid.**
- Remove the **burner cover.**
- Clean **the hob, the burner covers and the pot grid** with commercially available cleaning agents (not in a dishwasher!), e.g. with warm soap solution and a dishwashing brush.
- Whenever required, clean the **burner head** with a moist cloth.
- Soak **burnt-in remainders** in a little water and detergent. This loosens even the most stubborn of soiling. Do not use any abrasive agents and abrasive sponges.
- As the result of heat development, slight discoloration can appear on the stainless steel surface. **Do not attempt to scrape away such discoloration.** This damages the surface. Distribute stainless steel care agents uniformly and thinly on the hob (not on the control panel!). This will ensure an even surface and will keep your hob in a good condition for a long period of time.

Important: allow the burner covers to cool down before cleaning them!

When assembling, place the **burner cover (1)** on the **burner head (2)** so that the four tabs on the bottom edge of the burner cover engage in the corresponding tabs on the burner head (see Fig. 7). Place the pot grids back in position.

Caution:

Never use high-pressure or steam jet units to clean your appliance because otherwise the electrical safety of the appliance will no longer be guaranteed.

5. Maintenance

5.1 General

The appliance must be disconnected from the power supply during all repair work.

In the event of **malfunctions**, check whether the gas and electricity supply is in proper working order, i.e. the gas valve is open and the plug has been plugged into the socket.

If the power supply is functioning correctly, but your appliance still does not work, please contact your Gaggenau **dealer** who will provide you with the address and telephone number of your nearest manufacturer's authorized service agent or contact **Gaggenau USA on (800) 828-9165**. Specify the appliance type (see rating plate).

Repairs may only be carried out by **authorised technicians**, in order to guarantee the safety of the appliance.

Unauthorised tampering with the appliance will invalidate any warranty claims.

Only ever use original spare parts.

5.2 Remediating slight malfunctions yourself

Fault	Remedy
The burner does not ignite after several attempts.	Check whether the burner is correctly assembled. ... the gas shut-off facility is open. ... the burner is clean and dry. ... the domestic fuse has tripped. If necessary, inform after-sales service.
The gas flame goes off after ignition.	Check whether the burner covers are fitted correctly, ... the flame has been extinguished by a strong draught in the room.
The cooking ring burner's electrical igniter is no longer functioning.	Check whether there are food remainders between the ignition electrode and the burner cover. Carefully remove these.
The flame tips are yellow and not blue.	Check whether the burners are dry and clean.

6. Technical data / Settings table

Technical data (gas)

Burners:	Normal burner
	Full burning 6500 BTU (1.90 kW)
	Low burning < 1400 BTU (0.41 kW)
	High-intensity burner
	Full burning 9500 BTU (2.8 kW)
	Low burning < 1900 BTU (0.56 kW)

Technical data (electrical)

Rated consumption	0.8 W
Voltage	AC 120 V
Frequency	60 Hz

Technical modifications reserved.

Gas connection:

R 1/2" union nut for R 1/2" bracket to DIN 1999,
conical-cylindrical

Settings table, gas

Countries	US CA	US CA
Gas family	Natural gas	Propane gas
Gas type	A	E
Pressure	6" W.C. (1.5 kPa)	10" W.C. (2.5 kPa)
A burner, full burning	0.94	0.74
A burner, low burning	0.49	0.36
B burner, full burning	1.28	0.87
B burner, low burning	0.58	0.42
Σ Power	16 000 BTU (4.7 kW)	16 000 BTU (4.7 kW)
Σ Consumption	0.45 m ³ /h	340 g/h

GAGGENAU

GAGGENAU HAUSGERÄTE GMBH
P.O. BOX 10 02 50 · 80076 MÜNCHEN
GERMANY

☎ (089) 45 90-03
FAX (089) 45 90-23 47

GAGGENAU

5551 McFADDEN AVENUE
HUNTINGTON BEACH, CA 92649
USA

☎ (800) 828-9165 · FAX (714) 901-0979
www.gaggenau-usa.com