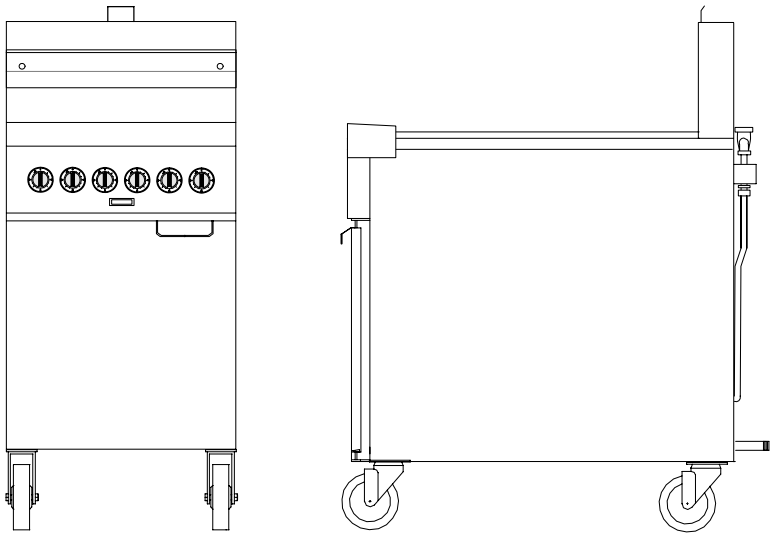


FBR18 & FBRA18 Series Gas Rethernalizers

Installation, Operation, Service, and Parts Manual



Frymaster, a member of the Commercial Food Equipment Service Association, recommends using CFESA Certified Technicians.

24-Hour Service Hotline 1-800-551-8633

**819-5278
May 2003**

NOTICE

IF, DURING THE WARRANTY PERIOD, THE CUSTOMER USES A PART FOR THIS ENODIS EQUIPMENT OTHER THAN AN UNMODIFIED NEW OR RECYCLED PART PURCHASED DIRECTLY FROM FRYMASTER/DEAN, OR ANY OF ITS AUTHORIZED SERVICE CENTERS, AND/OR THE PART BEING USED IS MODIFIED FROM ITS ORIGINAL CONFIGURATION, THIS WARRANTY WILL BE VOID. FURTHER, FRYMASTER/DEAN AND ITS AFFILIATES WILL NOT BE LIABLE FOR ANY CLAIMS, DAMAGES OR EXPENSES INCURRED BY THE CUSTOMER WHICH ARISE DIRECTLY OR INDIRECTLY, IN WHOLE OR IN PART, DUE TO THE INSTALLATION OF ANY MODIFIED PART AND/OR PART RECEIVED FROM AN UNAUTHORIZED SERVICE CENTER.

NOTICE

This appliance is intended for professional use only and is to be operated by qualified personnel only. A Frymaster/DEAN Factory Authorized Service Center (FASC) or other qualified professional should perform installation, maintenance, and repairs. Installation, maintenance, or repairs by unqualified personnel may void the manufacturer's warranty. See Chapter 1 of this manual for definitions of qualified personnel.

NOTICE

This equipment must be installed in accordance with the appropriate national and local codes of the country and/or region in which the appliance is installed. See NATIONAL CODE REQUIREMENTS in Chapter 2 of this manual for specifics.

NOTICE TO U.S. CUSTOMERS

This equipment is to be installed in compliance with the basic plumbing code of the Building Officials and Code Administrators International, Inc. (BOCA) and the Food Service Sanitation Manual of the U.S. Food and Drug Administration.

NOTICE

Drawings and photos used in this manual are intended to illustrate operational, cleaning and technical procedures and may not conform to onsite management operational procedures.

NOTICE TO OWNERS OF UNITS EQUIPPED WITH COMPUTERS

U.S.

This device complies with Part 15 of the FCC rules. Operation is subject to the following two conditions: 1) This device may not cause harmful interference, and 2) This device must accept any interference received, including interference that may cause undesired operation. While this device is a verified Class A device, it has been shown to meet the Class B limits.

CANADA

This digital apparatus does not exceed the Class A or B limits for radio noise emissions as set out by the ICES-003 standard of the Canadian Department of Communications.

Cet appareil numérique n'émet pas de bruits radioélectriques dépassant les limites de classe A et B prescrites dans la norme NMB-003 édictée par le Ministre des Communications du Canada.

 CAUTION

Do not use deliming solution to clean these units. Use of deliming solution will damage all stainless steel parts.

⚠ DANGER

Improper installation, adjustment, maintenance or service, and unauthorized alterations or modifications can cause property damage, injury, or death. Read the installation, operating, and service instructions thoroughly before installing or servicing this equipment. Only qualified service personnel may convert this appliance to use a gas other than that for which it was originally configured. See Chapter 1 of this manual for definition of qualified service personnel.

⚠ DANGER

No structural material on the rethermalizer should be altered or removed to accommodate placement of the rethermalizer under a hood. Questions? Call the Frymaster/Dean Service Hotline at 1-800-551-8633.

⚠ DANGER

Adequate means must be provided to limit the movement of this appliance without depending upon the gas line connection. Single rethermalizers equipped with legs must be stabilized by installing anchor straps. All rethermalizers equipped with casters must be stabilized by installing restraining chains. If a flexible gas line is used, an additional restraining cable must be connected at all times when the rethermalizer is in use.

⚠ DANGER

The front ledge of the rethermalizer is not a step! Do not stand on the rethermalizer. Serious injury can result from slips or contact with the hot water.

⚠ DANGER

Do not store or use gasoline or other flammable liquids or vapors in the vicinity of this or any other appliance.

⚠ DANGER

Instructions to be followed in the event the operator smells gas or otherwise detects a gas leak must be posted in a prominent location. This information can be obtained from the local gas company or gas supplier.

⚠ DANGER

This product contains chemicals known to the State of California to cause cancer and/or birth defects or other reproductive harm.

Operation, installation, and servicing of this product could expose you to airborne particles of glasswool or ceramic fibers, crystalline silica, and/or carbon monoxide. Inhalation of airborne particles of glasswool or ceramic fibers is known to the State of California to cause cancer. Inhalation of carbon monoxide is known to the State of California to cause birth defects or other reproductive harm.

NOTICE

The Commonwealth of Massachusetts requires any and all gas products to be installed by a licensed plumber or pipe fitter.

FBR18 & FBRA18 SERIES GAS RETHERMALIZERS

TABLE OF CONTENTS

CHAPTER 1: General Information

1.1	Parts Ordering and Service Information	1-1
1.2	Safety Information	1-1
1.3	Equipment Description	1-2
1.4	Installation, Operating, and Service Personnel	1-2
1.5	Definitions	1-2
1.6	Shipping Damage Claim Procedure	1-3

CHAPTER 2: Installation Instructions

2.1	General Installation Requirements	2-1
2.2	Caster/Leg Installation	2-2
2.3	Pre-Connection Preparations	2-2
2.4	Connecting to the Gas Supply	2-4
2.5	Converting to Another Gas Type	2-5

CHAPTER 3: Operating Instructions

3.1	Introduction	3-1
3.2	FBR18/FBRA18 Digital Controller	3-1
	Operating the FBR18/FBRA18 Digital Controller	3-1
	Operating the FBR18/FBRA18 Timers	3-2
3.3	Start-Up Procedure	3-2
3.4	Boiling Out the Cookpot	3-3
3.5	Shutting the Rethermalizer Down	3-4

CHAPTER 4: Preventive Maintenance

4.1	Daily Checks and Services	4-1
4.2	Quarterly Checks and Services	4-1
4.3	Semi-Annual Checks and Services	4-2
	Clean Combustion Air Blower	4-2
	Clean Gas Valve Vent Tube	4-2
	Check Burner Manifold Pressure	4-3

CHAPTER 5: Operator Troubleshooting

5.1	Introduction	5-1
5.2	Operator Troubleshooting Guides	5-2
5.3	Replacing the Computer or Computer Wiring Harness	5-6

CHAPTER 6: Service Procedures

6.1	Functional Description	6-1
	The Electronic Ignition System	6-1
	Controller and Mechanical Timers	6-2
	Interface Boards	6-2

Temperature Probe	6-3
Water Level Sensors (FBRA18 Only).....	6-3
6.2 Accessing the Rethermalizer for Servicing.....	6-4
6.3 Cleaning the Gas Valve Vent Tube.....	6-4
6.4 Checking the Burner Manifold Gas Pressure	6-4
6.5 Measuring Flame Current.....	6-4
6.6 Replacing Components.....	6-5
6.6.1 Replacing the Controller or Controller Wiring Harness	6-5
6.6.2 Replacing the Temperature Probe	6-5
6.6.3 Replacing the Interface Board.....	6-5
6.6.4 Replacing an Ignition Module.....	6-6
6.6.5 Replacing an Ignitor Assembly	6-6
6.6.6 Replacing the Combustion Air Blower	6-7
6.6.7 Replacing the Gas Valve	6-7
6.6.8 Replacing a Burner Assembly.....	6-7
6.6.9 Replacing the Cookpot.....	6-8
6.7 Troubleshooting and Problem Isolation	6-8
6.7.1 Ignition Failures	6-9
6.7.2 Improper Burner Functioning.....	6-10
6.7.3 Improper Temperature Control	6-12
6.8 Troubleshooting Guides	6-12
6.8.1 Troubleshooting the Gas Valve.....	6-13
6.8.2 Troubleshooting the 24 VAC Circuit in FBR18 Units.....	6-14
6.8.3 Troubleshooting the 24 VAC Circuit in FBRA18 Units.....	6-16
6.8.4 Troubleshooting the Temperature Probe.....	6-21
Probe Resistance Chart.....	6-22
6.9 Wiring Diagram for FBR18 Units.....	6-23
6.10 Wiring Diagram for FBRA18 Units.....	6-24

CHAPTER 7: Parts List

7.1 Burner System Components.....	7-1
7.2 Cabinetry and Associated Components.....	7-2
7.3 Control Box Assembly and Associated Parts, FBR18/FBRA18.....	7-3
7.4 Controller and Component Box Assemblies	7-4
7.5 Cooking Timer Control Panel Components	7-5
7.6 Cookpot, FBR18.....	7-6
7.7 Cookpot, FBRA18.....	7-7
7.8 Gas Supply Components	7-8
7.9 Plumbing Components	7-9

FBR18 & FBRA18 SERIES GAS RETHERMALIZERS

CHAPTER 1: GENERAL INFORMATION

1.1 Parts Ordering and Service Information

In order to assist you as quickly as possible, the Frymaster Factory Authorized Service Center (FASC) or Service Department representative requires certain information about your equipment. Most of this information is printed on a data plate affixed to the inside of the door.

Parts orders may be placed directly with your local FASC or distributor. Included with the unit when shipped from the factory is a list of FASCs. If you do not have access to this list, contact the Frymaster Technical Service Department at 1-800-551-8633 or 1-318-865-1711.

When ordering parts, the following information is required:

Model Number: _____
Serial Number: _____
Gas Type: _____
Item Part Number: _____
Quantity Needed: _____

Service information may be obtained by contacting your local FASC/Distributor. Information may also be obtained by calling the Frymaster Technical Service Department at 1-800-551-8633 or 1-318-865-1711. When requesting service, please have the following information ready:

Model Number: _____
Serial Number: _____
Gas Type: _____

In addition to the model number, serial number, and gas type, please be prepared to describe the nature of the problem and have ready any other information that you think may be helpful in solving your problem.

RETAIN AND STORE THIS MANUAL IN A SAFE PLACE FOR FUTURE USE.

1.2 Safety Information

Before attempting to operate your unit, read the instructions in this manual thoroughly.

Throughout this manual, you will find safety notations enclosed in double-bordered boxes similar to the ones illustrated on the following page.

 **CAUTION**

CAUTION boxes contain information about actions or conditions that may cause or result in a malfunction of your system.

 **WARNING**

WARNING boxes contain information about actions or conditions that may cause or result in damage to your system, and which may cause your system to malfunction.

 **DANGER**

DANGER boxes contain information about actions or conditions that may cause or result in injury to personnel, and which may cause damage to your system and/or cause your system to malfunction.

1.3 Equipment Description

The FBR18 and FBRA18 Series Gas Rethermalizers are specifically designed to rethermalize meats, sauces, and other vacuum packaged foods at a safe temperature range that prevents overcooking. They can be configured for either natural or LP (Propane) gas, and their efficient infrared burners deliver 90,000 BTUs (94.9 MJ – 26.4 kW).

The two models are identical except that the FBRA18 has an automatic filling (AutoFill) feature. Both models feature digital temperature controls with continuous temperature display and individual color-coded timer controls with corresponding color-coded baskets. Each unit can rethermalize up to 15 lbs. (7 kg) of food an hour in large capacity 2-5 lb. (0.9-2.3 kg) baskets.

The rethermalizers are safeguarded against boil-over by a standpipe overflow drain, and come with a 1¼” cookpot drain for fast, clog-free emptying. The unit has a rethermalizing area of 18” x 24” (457mm x 609mm) and holds 25 gallons (94.6 liters) of water.

1.4 Installation, Operating, and Service Personnel

Operating information for Frymaster equipment has been prepared for use by qualified and/or authorized personnel only, as defined in Section 1.5.

All installation and service on Frymaster equipment must be performed by qualified, certified, licensed, and or/authorized installation or service personnel, as defined in Section 1.5.

1.5 Definitions

QUALIFIED AND/OR AUTHORIZED OPERATING PERSONNEL

Qualified/authorized operating personnel are those who have carefully read the information in this manual and have familiarized themselves with the equipment functions, or who have had previous experience with the operation of the equipment covered in this manual.

QUALIFIED INSTALLATION PERSONNEL

Qualified installation personnel are individuals, or firms, corporations, or companies which, either in person or through a representative, are engaged in and are responsible for the installation of electrical and gas appliances. Qualified personnel must be experienced in such work, be familiar with all electrical precautions involved, and have complied with all requirements of applicable national and local codes.

QUALIFIED SERVICE PERSONNEL

Qualified service personnel are those that are familiar with Frymaster equipment and who have been authorized by ***Frymaster*** to perform service on Frymaster equipment. All authorized service personnel are required to be equipped with a complete set of service and parts manuals, and to stock a prescribed minimum amount of Frymaster equipment parts.

A list of Frymaster Factory Authorized Service Centers (FASC) was included with the unit when it was shipped from the factory. ***Failure to use qualified service personnel will void the Frymaster Warranty on your equipment.***

1.6 Shipping Damage Claim Procedure

Your Frymaster equipment was carefully inspected and packed before leaving the factory. The transportation company assumes full responsibility for safe delivery upon acceptance of the equipment for transport.

What to do if your equipment arrives damaged:

- 1. File a claim for damages immediately**, regardless of the extent of damages.
- 2. Inspect for and record all visible loss or damage** and ensure that this information is noted on the freight bill or express receipt and is signed by the person making the delivery.
- 3. Concealed loss or damage** that was unnoticed until the equipment was unpacked should be recorded and reported to the freight company or carrier **immediately** upon discovery. A concealed damage claim must be submitted within 15 days of the date of delivery. Ensure that the shipping container is retained for inspection.

***Frymaster* DOES NOT ASSUME RESPONSIBILITY
FOR DAMAGE OR LOSS INCURRED IN TRANSIT.**

FBR18 & FBRA18 SERIES GAS RETHERMALIZERS

CHAPTER 2: INSTALLATION INSTRUCTIONS

2.1 General Installation Requirements

PROPER INSTALLATION IS ESSENTIAL FOR EFFICIENT, TROUBLE-FREE OPERATION OF YOUR RETHERMALIZER. ANY UNAUTHORIZED ALTERATIONS MADE TO THIS EQUIPMENT WILL VOID THE *Frymaster* WARRANTY.

Upon arrival, inspect the rethermalizer carefully for visible or concealed damage. (See **Shipping Damage Claim Procedure** in Chapter 1.)

CLEARANCE AND VENTILATION

This equipment must be installed with a 6” (150mm) clearance at both sides and back when installed adjacent to combustible construction. No clearance is required when installed adjacent to noncombustible construction. A minimum of 24” (600mm) clearance should be provided at the front of the unit.

One of the most important considerations of efficient operation is ventilation. Make sure the equipment is installed so that products of combustion are removed efficiently, and that the kitchen ventilation system does not produce drafts that interfere with proper burner operation.

The equipment flue opening must not be placed close to the intake of the exhaust fan, and the flue must never be extended in a “chimney” fashion. An extended flue will change the combustion characteristics of the equipment, causing longer recovery times. It also frequently causes delayed ignition. To provide the airflow necessary for good combustion and burner operation, the areas surrounding the front, sides, and rear of the unit must be kept clear and unobstructed.

This equipment must be installed in an area with an adequate air supply and adequate ventilation. For U.S. installations, information on construction and installation of ventilating hoods can be found in NFPA Standard 96. This document can be ordered from the National Fire Protection Association, Battery March Park, Quincy, MA 02269. For installations in countries other than the U.S., the appropriate regulating authority should be contacted for information related to hood construction and installation.



Do not attach an apron drain to a single rethermalizer. The rethermalizer may become unstable, tip over, and cause injury to personnel.

NATIONAL CODE REQUIREMENTS

This equipment is to be installed in compliance with the Basic Plumbing Code of the Building Officials and Code Administrators International, Inc. (BOCA) and the Food Service Sanitation Manual of the U.S. Food and Drug Administration.

This equipment is manufactured to use the type of gas specified on the rating plate attached to the door. Connect equipment stamped “NAT” only to natural gas and that stamped “PRO” only to LP (Propane) gas.

Installation shall be made with a gas connector that complies with national and local codes. Quick disconnect devices, if used, shall likewise comply with national and local codes.

ELECTRICAL GROUNDING REQUIREMENTS

All electrically operated appliances must be grounded in accordance with all applicable national and local codes. A wiring diagram is located on the inside of the door. In the United States and Canada, the electrical supply must be 120VAC, 60 Hz. In other countries, refer to the rating plate on the inside of the door for proper voltages.

FCC COMPLIANCE

The user is cautioned that any changes or modifications to Frymaster computers not expressly approved by the party responsible for compliance could void the user’s authority to operate the equipment. Frymaster computers have been tested and found to comply with the limits for a Class A digital device, pursuant to Part 15 of the FCC rules. While these devices are verified as Class A devices, they have been shown to meet the Class B limits. These limits are designed to provide reasonable protection against harmful interference when the equipment is operated in a commercial environment. This equipment generates, uses, and can radiate radio frequency energy and, if not installed and used in accordance with the instruction manual, may cause harmful interference to radio communications. Operation of the equipment in a residential area is likely to cause harmful interference in which case the user will be required to correct the interference at his own expense. If necessary, the user should consult the dealer or an experienced radio and television technician for additional suggestions.

The user may find the booklet “How to Identify and Resolve Radio-TV Interference Problems” helpful. It is prepared by the Federal Communications Commission and is available from the U.S. Government Printing Office, Washington, DC 20402, Stock No. 004-000-00345-4.

2.2 Caster/Leg Installation

Your unit requires casters or legs to be installed. IT MAY NOT BE CURB MOUNTED!

If casters or legs are not already installed, install them in accordance the instructions included in your accessory package. FAILURE TO INSTALL CASTERS OR LEGS WILL RESULT IN IMPROPER OPERATION OF YOUR UNIT.

2.3 Pre-Connection Preparations

 **DANGER**

Do not connect this equipment to the gas supply before completing each step in this section.

After the unit has been positioned in the area where it will be used, ensure the following has been accomplished before connecting the unit to the gas supply:

1. Adequate means must be provided to limit the movement of this equipment without depending upon the gas line connections. If a flexible gas hose is used, a restraining cable must be connected at all times when the equipment is in use.
2. The rethermalizer must be stabilized by installing restraining chains on units equipped with casters or anchor straps on units equipped with legs. Follow the instructions shipped with the casters/legs to properly install the chains or straps.
3. Level rethermalizers equipped with legs by screwing out the legs approximately 1 inch then adjusting them so that the rethermalizer is level.
4. For rethermalizers equipped with casters, there are no built-in leveling devices. The floor where the rethermalizer is to be installed must be level.
5. Connect the water hose to the fitting at the rear of the unit.

NOTE 1: The hose comes with a quick-disconnect coupling. The quick disconnect may be attached to the rethermalizer or to the water supply line, or it may be left off entirely, whichever you prefer. Whichever of the options is chosen, Teflon thread-seal tape or Loctite™ PST56765 or equivalent thread sealer must be used when installing the fittings.

NOTE 2: Either hot or cold water may be connected to the unit. Connecting to hot water will minimize the amount of time required to bring the unit to boil when filling with fresh water.

NOTE 3: In order for the water level sensors to work properly, a certain amount of mineral content is necessary in the water. For that reason, purified, deionized, or highly filtered water should not be used.

4. Connect the desired drain plumbing to the 1¼” drain valve.
5. Test the equipment electrical system by plugging the power cord into a grounded 120VAC outlet and pressing the controller’s ON/OFF button. After four (4) seconds, the last programmed set-point temperature will display constantly.
6. Turn the controller off. Verify that the display is blank.
7. Verify that the minimum and maximum incoming gas pressures for the type of gas to be used are in accordance with the accompanying table.

Incoming Gas Pressures		
Gas	Minimum	Maximum
Natural	6" W.C.	14" W.C.
	1.49 kPa	3.48 kPa
	14.93 mbar	34.84 mbar
LP	11" W.C.	14" W.C.
	2.74 kPa	3.48 kPa
	27.37 mbar	34.84 mbar

2.4 Connecting to the Gas Supply

GAS CONNECTIONS AND PIPE SIZES

The size of the gas supply pipe is very important. If the pipe is too small, the gas pressure at the burner manifold will be low. This will cause slow recovery and delayed ignition. The incoming gas supply line should be a minimum of 1½ inches (38mm) ID.

When configured for natural gas, this equipment requires a standard gas pipe size of ¾ inch (19mm) ID for connections within 20 feet (6m) of the supply line, provided no more than 4 fittings or elbows are used in the run. For a pipe run over 20 feet (6m), increase the pipe size to 1 inch (25.4mm). For use with LP (Propane) gas, the next smaller pipe size may be used.

IF IN DOUBT ABOUT THE PIPE SIZE TO BE USED, CONSULT YOUR LOCAL GAS COMPANY.

 **DANGER**

Before connecting new pipe to this equipment, the pipe must be blown out thoroughly to remove all foreign material. Foreign material in the burner and gas controls may cause improper and dangerous operation.

1. Connect the equipment to the gas supply line.

When making connections, apply a small amount of Loctite® PST 56765 or equivalent thread compound to the male threads only. **DO NOT** apply the compound to the first two threads. This will prevent clogging of the burner orifices and control valve.

2. Open the gas supply to the fryer and check all piping, fittings, and gas connections for leaks. A soap and water solution should be used for this purpose.

 **DANGER**

Never use matches, candles, or any other ignition source to check for leaks.

If gas odors are detected, shut off the gas supply to the fryer at the main shut-off valve and contact the local gas company or an authorized service agency for service.

The rethermalizer and any shut-off valves installed between the rethermalizer and the gas supply line must be disconnected from the gas supply line during any pressure testing of the supply line at pressures equal to or greater than ½ PSIG (3.45kPa, 13.84 inches W.C.).

3. Close the drain valve and fill the cookpot with water and boil-out solution to the overflow. Light the burners and perform the boil-out procedures that are described in the “Start-Up Procedure” and “Boiling Out the Cookpot” sections in Chapter 3 of this manual.

 **WARNING**

“Dry-firing” this equipment will cause damage to the cookpot. Always ensure that the cookpot is filled with water before firing your unit.

4. It is suggested that the burner manifold pressure be checked at this time by the local gas company or an authorized service agent. Refer to “Check Burner Manifold Pressure” in Chapter 4 of this manual for the proper procedure.

2.5 Converting to Another Gas Type

This equipment is configured at the factory for either natural gas or LP (Propane) gas.

If you desire to switch from one type of gas to the other, a gas conversion kit must be installed by a Factory Authorized Service Center technician.

 **DANGER**

Switching to a different type of gas without installing the proper conversion kit may result in fire or explosion! NEVER attach your fryer to a gas supply for which it is not configured.

FBR18 & FBRA18 SERIES GAS RETHERMALIZERS

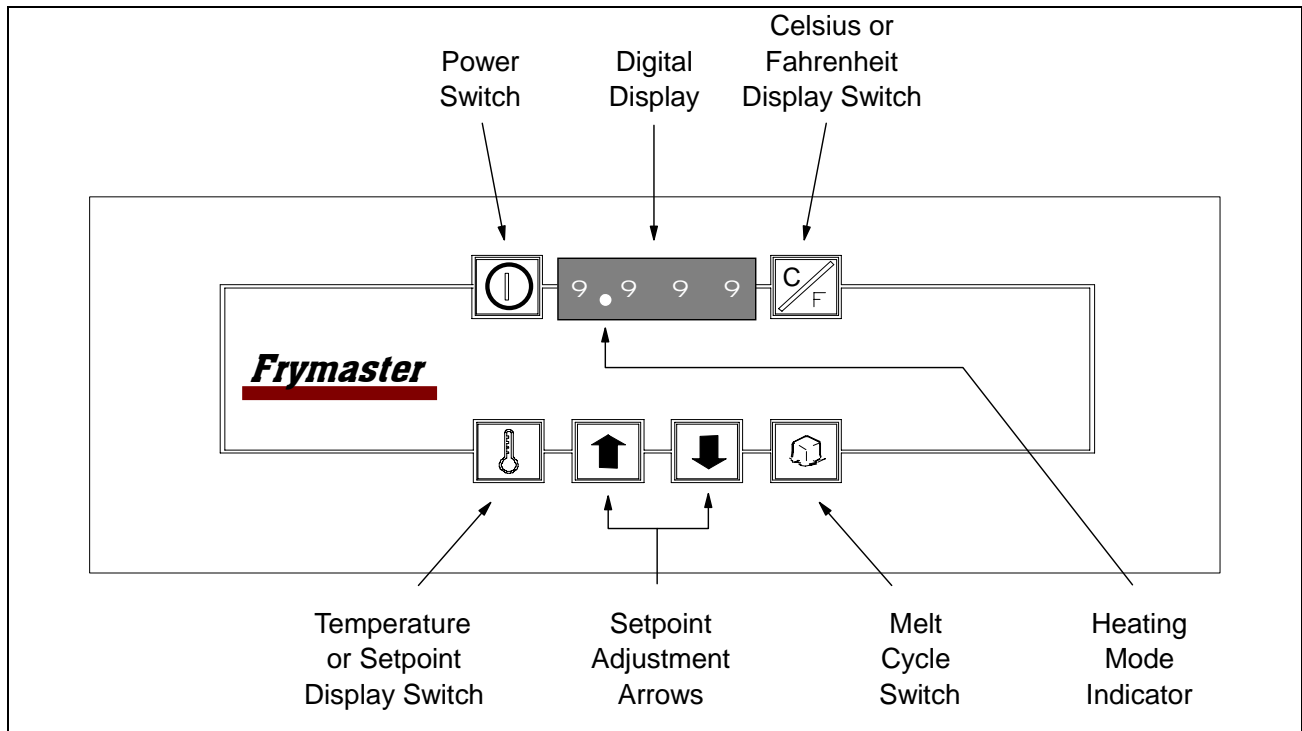
CHAPTER 3: OPERATING INSTRUCTIONS

3.1 Introduction

Mechanically, the FBR18 and FBRA18 rethermalizers are virtually identical, the only difference being that the FBRA18 units have an automatic filling (AutoFill) feature. Both units use the same digital temperature controller and mechanical timers.

In operation, a setpoint is programmed into the controller which then regulates burner firing to maintain the water in the cookpot at the desired temperature. Six individual color-coded mechanical timers allow different types or quantities of product to be rethermalized simultaneously. The timers are equipped with an alarm to notify the operator that rethermalizing is complete. The product baskets have color-coded handles that correspond to the timers to eliminate confusion.


3.2 FBR18/FBRA18 Digital Controller








OPERATING THE FBR18/FBRA18 DIGITAL CONTROLLER

⚠ WARNING

Ensure the cookpot is filled with water before turning the controller on. “Dry firing” will cause damage to the cookpot!

1. Turn the controller on by pressing the Power  switch. The controller software version number will display for 4 seconds in the digital display then change to the last programmed setpoint temperature.

NOTE: The unit comes from the factory configured to display in degrees Fahrenheit. To toggle back and forth between Fahrenheit and Celsius, press the Celsius/Fahrenheit display  switch.

2. The controller will automatically cycle the burners on and off seven times or until the temperature in the cookpot reaches 160°F (71°C), whichever comes first. At that time, it will enter the continuous heat mode. When in the continuous heat mode the Heat Mode indicator (a decimal point between the first two digits of the temperature display) will appear. When the setpoint is reached, the Heat Mode indicator will go out, indicating the rethermalizer is ready for use.
3. To enter or change the setpoint temperature, press the up  arrow key to raise the setpoint or the down  arrow keys to lower the setpoint. The display will change at a rate of about 1 degree per second for approximately the first 12 degrees, then change at a faster rate if the arrow is continuously pressed.
4. Pressing the Temperature/Setpoint display  switch toggles the display back and forth between constant temperature display and constant setpoint display. Use this feature if you want to check the actual cookpot temperature.
5. To turn the controller (and burners) off, press the Power  switch.

OPERATING THE FBR18/FBRA18 TIMERS

1. Place a packet of product in one of the rethermalizing baskets and note the handle color of the basket.
2. Place the basket into the water and rotate the correspondingly colored timer knob to the desired rethermalizing time, up to 60 minutes.
3. An alarm will sound when the rethermalizing time has elapsed.

3.3 Start-Up Procedure

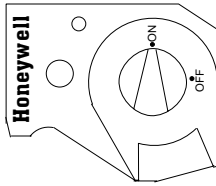
CAUTION

If this is the first time the unit is being used after installation, refer to Section 3.4, Boiling-Out the Cookpot.

Before turning the rethermalizer on, ensure that:

- the unit is connected to the water supply
- the water supply is turned on
- the unit is plugged into a 120VAC outlet
- the electrical power supply to the rethermalizer is turned on
- the gas supply to the rethermalizer is turned on.

1. Turn the gas valve to the ON position (see illustration below).



2. Press the controller Power  switch.

On FBR18 models, the burners will light for several seconds then go out. A few seconds later they will light again. This cycle will repeat seven times or until the water in the cookpot reaches 160°F (71°C), whichever comes first, at which time the burners will remain lit until the setpoint is reached.

On FBRA18 models, if the cookpot is not already full of water, the AutoFill feature will immediately begin adding water. When the water level reaches the upper water level sensor, the AutoFill solenoid valve will cut off the water flow. (If the water level drops below the upper water level sensor during operation, the AutoFill solenoid valve will open and add water to the cookpot). When the water level is above the lower water level sensor, the burners will light for several seconds then go out. A few seconds later they will light again. This cycle will repeat seven times or until the water in the cookpot reaches 160°F (71°C), whichever comes first, at which time the burners will remain lit until the setpoint is reached.

3. When the burners have been lit continuously for at least 90 seconds, observe the burners through the burner viewing ports. The burners should display a bright orange-red glow. If a blue flame is observed, or if there are dark spots on a burner face, the air/gas mixture requires adjustment. Refer to Chapter 4, Section 4.4, *Clean Combustion Air Blower* for adjustment procedures.

3.4 Boiling-Out the Cookpot

 **CAUTION**


Do not use deliming solution to clean these units. Use of deliming solution will damage all stainless steel parts.

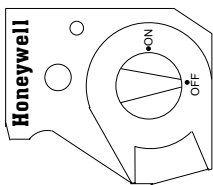
To ensure that the cookpot is free of any contamination resulting from its manufacture, shipping, and handling during installation, the cookpot must be boiled out before first use.

1. Close the drain valve and fill the cookpot with a solution of cold water and 1 cup of Frymaster *FRYER 'N' GRIDDLE* cleaner or detergent. **NOTE:** Do not use deliming solution to clean these units. Use of deliming solution will damage all stainless steel parts.
2. Place the unit into operation in accordance with Section 3.3.
3. Program the setpoint for 200°F (93°C). When the Heat Mode indicator (decimal between the first two digits of the display) goes out, set one of the product timers for 60 minutes.

4. After the solution simmers for an hour, turn the unit off, allow the solution to cool, then add 2 gallons (7.75 liters) of cold water and stir. Drain the solution and clean the cookpot thoroughly.
5. Rinse the cookpot at least twice by filling with clean water and draining.
6. Reprogram the setpoint to the appropriate temperature.

3.5 Shutting Down the Rethermalizer

1. Turn the unit off by pressing the Power  switch.
2. If shutting down at the end of the day, turn the gas valve to the OFF position (see illustration below).



3. Drain and clean the cookpot. **NOTE:** Do not use deliming solution to clean these units. Use of deliming solution will damage all stainless steel parts.

 **CAUTION**

Do not use deliming solution to clean these units. Use of deliming solution will damage all stainless steel parts.

 **CAUTION**

The electronic circuitry in your controller can be adversely affected by current fluctuations and electrical storms. Should it fail to function or program properly for no apparent reason, unplug the controller and plug it back in to reset it. This could prevent a service call.

FBR18 & FBRA18 SERIES GAS RETHERMALIZERS

CHAPTER 4: PREVENTIVE MAINTENANCE

4.1 Daily Checks and Services

Inspect Rethermalizer and Accessories for Damage

Look for loose or frayed wires and cords, leaks, foreign material in cookpot or inside cabinet, and any other indications that the rethermalizer and accessories are not ready and safe for operation.

Clean Cabinet Inside and Out

Clean inside the cabinet with a dry, clean cloth. Wipe all accessible metal surfaces and components to remove accumulations of oil, dust, or cooking residue.

Clean the outside of the cabinet with a clean cloth dampened with dishwashing detergent, removing oil, dust, or cooking residue.

 **DANGER**

Never attempt to clean rethermalizer during the rethermalizing process or when the cookpot is filled with hot water and/or food products.

 **CAUTION**

Do not use deliming solution to clean these units. Use of deliming solution will damage all stainless steel parts.

Clean Water-Level Sensors, Temperature Probe, and Cookpot

NOTE: Do not use deliming solution to clean these units. Use of deliming solution will damage all stainless steel parts.

Press the controller power switch to the OFF position.

FBRA18 Units: Remove the cap nut at the top of the shield (located on the left front of the cookpot) and remove the shield by lifting up until it can be removed from the stud that holds it at the bottom. Clean the exposed screw heads with a solution of detergent and water. A Scotchbrite™ or equivalent nylon pad may be used to scrub away any accumulated mineral deposits.



FBR18 & FBRA18 Units: Clean the temperature probe, located on the lower front centerline of the cookpot, using a small bottlebrush wet with a solution of detergent and water.

Using a Scotchbrite™ or similar abrasive pad and a solution of detergent and water, clean the inside of the cookpot.

Rinse the cookpot thoroughly with clean water at least twice.

4.2 Quarterly Checks and Services

Check Digital Controller Set Point Accuracy

1. Fill the cookpot with water. Press the controller power switch. When the Heat Mode indicator (decimal between the first and second digits of the display) goes out, insert a good-grade thermometer or pyrometer probe into the cookpot, with the end touching the temperature probe at the lower front centerline of the cookpot and wait one minute.
2. Press the Temperature Display  switch once to display the temperature of the water as sensed by the temperature probe. Press the Temperature Display  switch again to display the set point. The displayed water temperature should be within $\pm 10^{\circ}\text{F}$ (5°C) of the setpoint and the temperature shown on the thermometer or pyrometer should be within $\pm 5^{\circ}\text{F}$ (2°C) of the displayed water temperature. If either set of readings is outside its range, contact a Factory Authorized Service Center for assistance.

4.3 Semi-Annual Checks and Services

Clean Combustion Air Blower

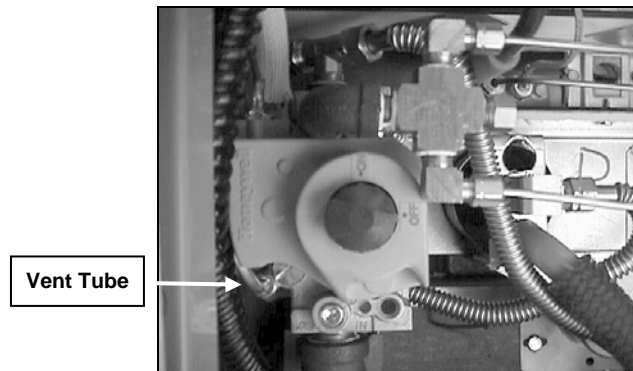
1. Unplug the rethermalizer.
2. There are 4 wires (2 orange, 1 white, and 1 black) running from the motor. Remove the wire nuts and disconnect these wires from the rethermalizer wiring harness, marking each to ensure proper reconnection.
3. Remove the 4 nuts and bolts securing the blower to its mounting bracket and remove the blower from beneath the rethermalizer.
4. Remove the 3 motor flange nuts from the side of the blower housing and remove the motor and blower wheel from the housing.
5. Wrap the motor with plastic wrap to prevent water from entering it. Spray degreasing detergent on the blower wheel and blower housing. Wait 5 minutes, then rinse under hot water, being careful not to get water into the motor. Dry with a clean cloth.
6. Reverse steps 1-5 to reinstall the blower.
7. Light the rethermalizer in accordance with the procedure described in Chapter 3, Section 3.1.
8. After the burners have been lit for at least 90 seconds, observe the flames through the burner viewing ports. The air/gas mixture is properly adjusted when the burner manifold gas pressure is in accordance with the table on page 4-3 and the burners display a bright orange-red glow. If a blue flame is observed, or if there are dark spots on a burner face, the air/gas mix requires adjustment.

On the side of the blower housing opposite the motor is a plate with one or two locking nuts. Loosen the nut(s) enough to allow the plate to be moved, then adjust the position of the plate to

open or close the air intake opening until a bright orange-red glow is obtained. Carefully hold the plate in position and retighten the nut(s).

Clean Gas Valve Vent Tube

1. Set the rethermalizer power switch and the gas valve to the OFF position.
2. Carefully unscrew the vent tube from the gas valve. NOTE: The vent tube may be straightened for ease in removal.

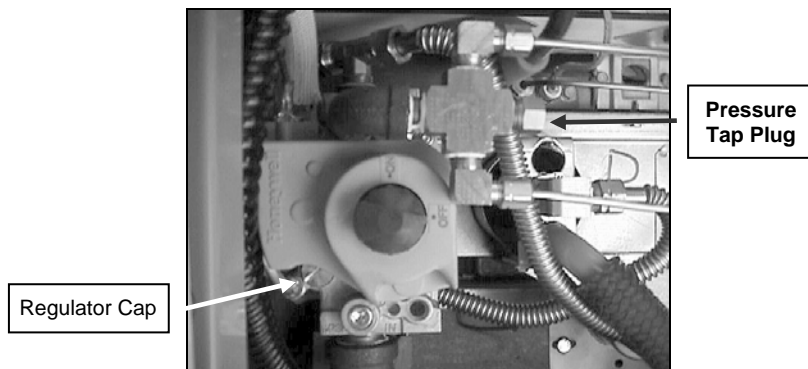


3. Pass a piece of ordinary binding wire (.052 inch diameter) through the tube to remove any obstruction.
4. Remove the wire, then blow through the tube to ensure it is clear.
5. Reinstall tube and bend so that the opening is pointing downward.

Check Burner Manifold Pressure

⚠ WARNING
Frymaster recommends that this task be performed by the local gas company or an authorized service technician only.

1. Ensure that the gas valve knob is in the OFF position.
2. Remove the pressure tap plug from the gas valve assembly and attach the fitting for a gas pressure-measuring device to the tap.



- Place the gas valve in the ON position. Place the controller power switch in the ON position. When the burner lights and continues to burn, compare the indicated pressure to the table below.

Burner Manifold Gas Pressures	
Gas	Pressure
Natural	3.5" W.C. 0.8 kPa
LP	8.25" W.C. 2.5 kPa

- If necessary, adjust the burner gas pressure by removing the cap from the gas valve regulator and turning the regulator screw to obtain the correct pressure. When the correct pressure is obtained, reinstall the cap.
- Place the controller power switch and the gas valve in the OFF position. Remove the fitting from the pressure tap hole and reinstall the pressure tap plug.

FBR18 & FBRA18 SERIES GAS RETHERMALIZERS

CHAPTER 5: OPERATOR TROUBLESHOOTING

5.1 Introduction

This chapter provides an easy reference guide to the more common problems that may occur during the operation of your equipment. The troubleshooting guides in this chapter are intended to help you correct, or at least accurately diagnose, problems with your equipment. Although the chapter covers the most common problems reported, you may very well encounter a problem not covered. In such instances, the Frymaster Technical Service Department will make every effort to help you identify and resolve the problem.

When troubleshooting a problem, always use a process of elimination starting with the simplest solution and working through to the most complex. Never overlook the obvious. Anyone can forget to plug a cord into a receptacle or open the valve on the water supply line. Don't assume that you are exempt from such occurrences.

Always try to establish a clear idea of why a problem has occurred. Part of your corrective action involves taking steps to ensure that it doesn't happen again. If a controller malfunctions because of a poor connection, check all other connections while you're at it. If a fuse continues to blow, find the cause. Keep in mind that failure of a small component may often be indicative of potential failure or incorrect functioning of a more important component or system.

Each guide begins with a description of a common problem in a six-sided figure. Simply follow the arrows and answer the questions to determine the corrective action to take. If you have doubts as to the proper action to take, do not hesitate to call the Frymaster Technical Service Department or your local Frymaster Factory Authorized Service Center for assistance.

 **DANGER**

Hot water can cause severe burns. Never attempt to move a rethermalizer containing hot water or to transfer hot water from one container to another.

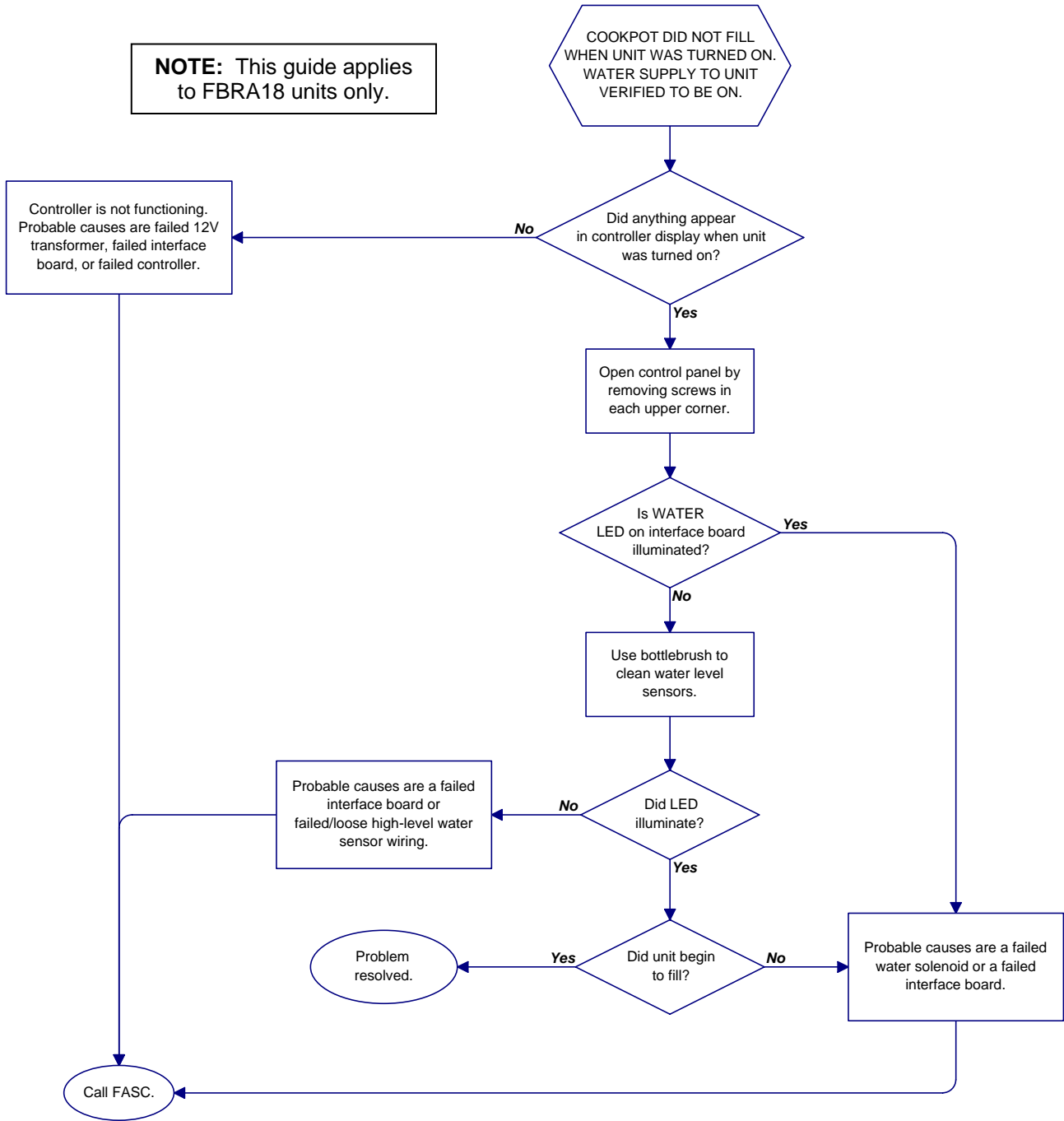
 **DANGER**

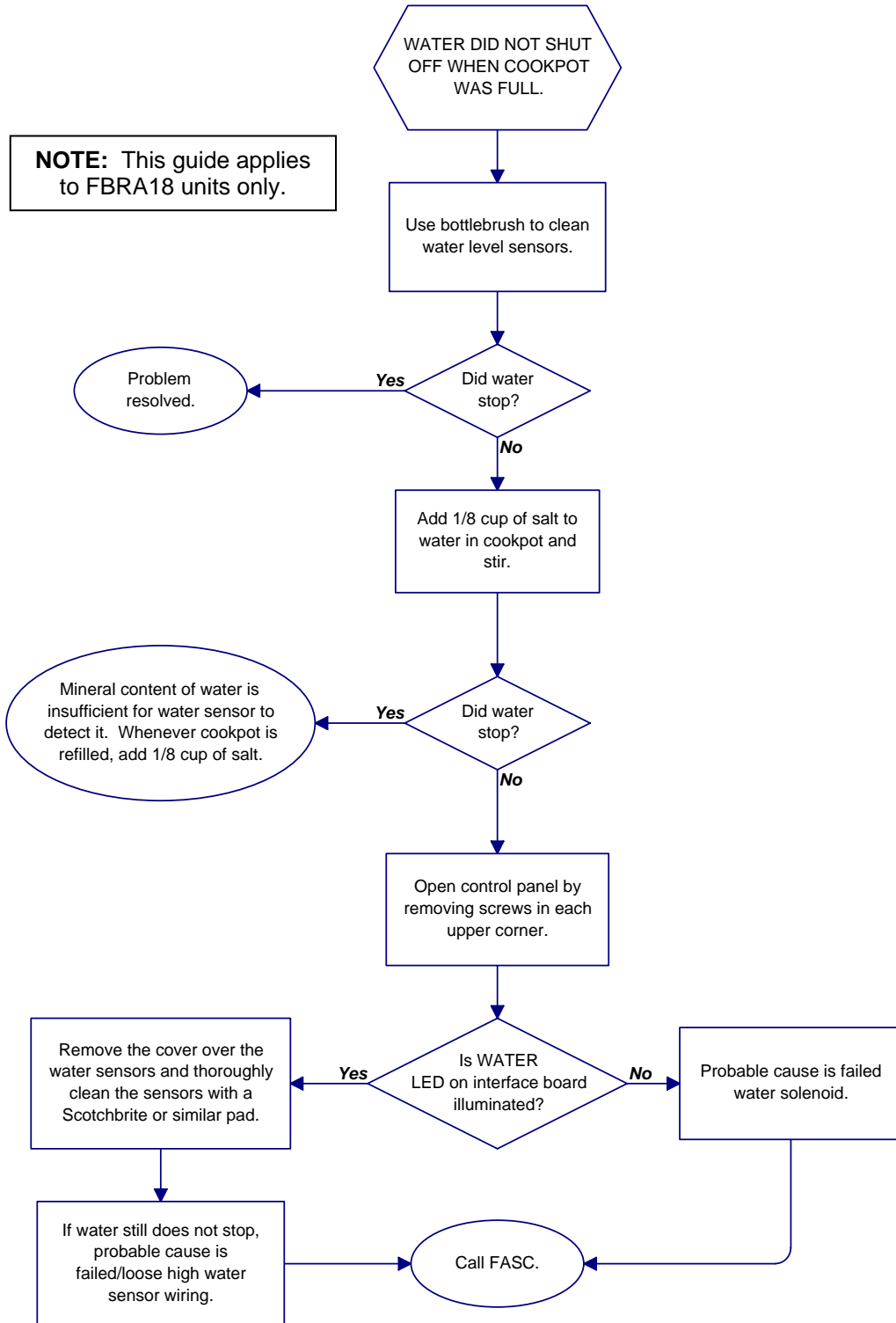
Use extreme care when performing electrical circuit tests. Live circuits will be exposed.

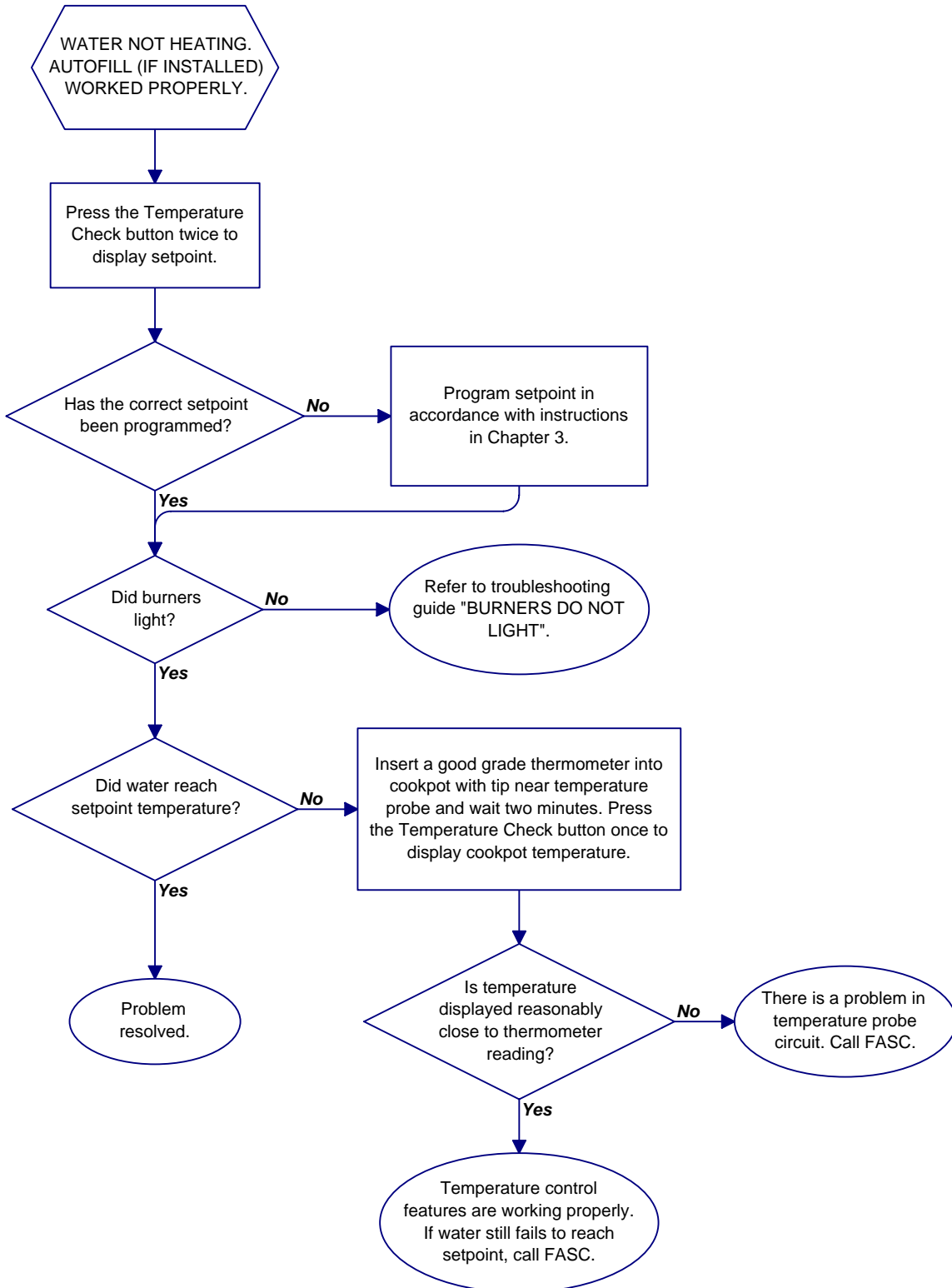
 **WARNING**

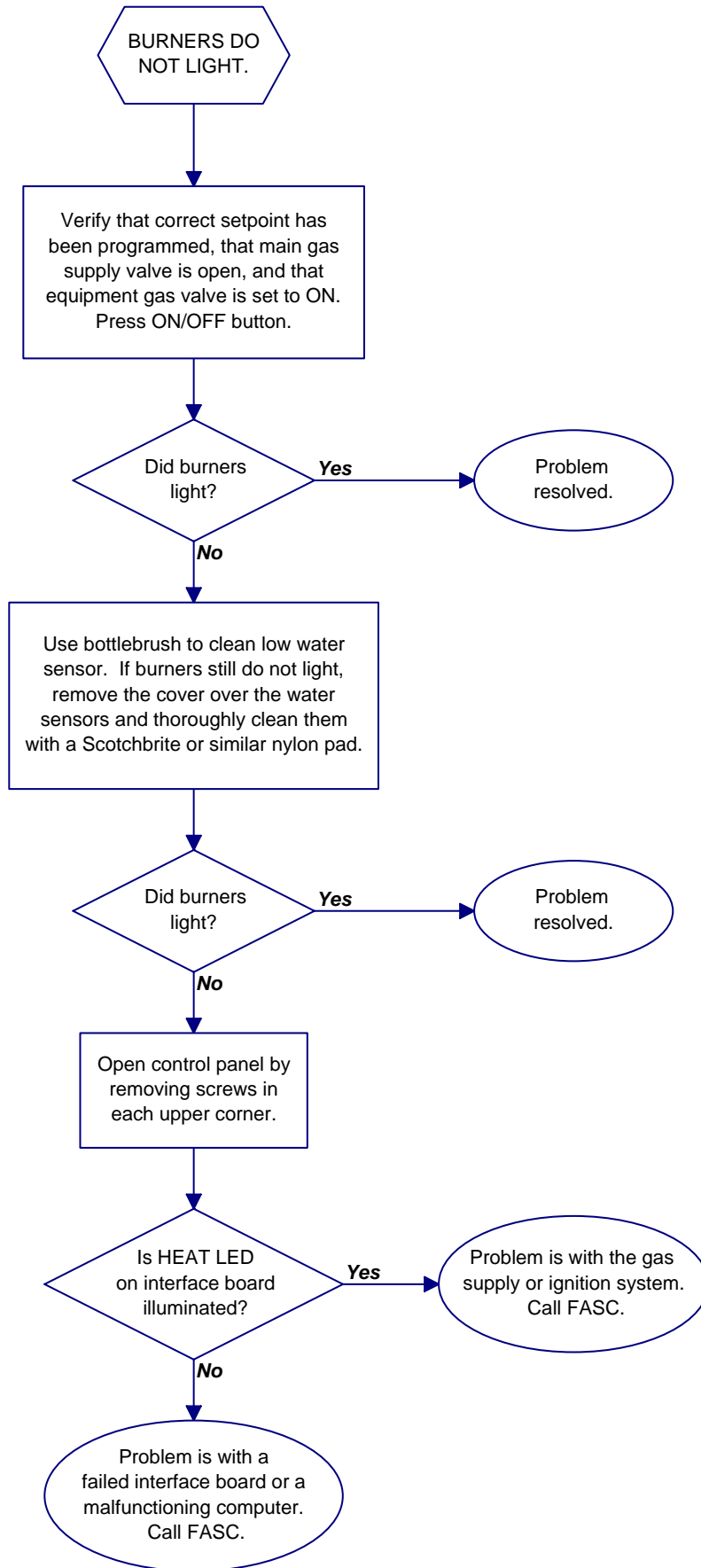
Inspection, testing, and repair of electrical equipment should be performed only by qualified service personnel. The equipment should be unplugged when servicing, except when electrical tests are required.

5.2 Troubleshooting Guides









FBR18 & FBRA18 SERIES GAS RETHERMALIZERS

CHAPTER 6: SERVICE PROCEDURES

6.1 Functional Description

These rethermalizers contain a welded stainless steel cookpot that is directly heated by a high efficiency burner system requiring approximately 43% less energy than conventional burner systems to heat the same volume of water.

Two self-contained combustion chambers (referred to as “burners”) are located beneath the cookpot. Each combustion chamber is fitted with special ceramic tiles that are heated by the burning of a forced air/gas mixture. The tiles transfer their heat to the cookpot by means of infrared radiation, providing much more constant and uniform heat dispersion over the surface of the cookpot than do conventional burners. Because relatively less heat is lost to the atmosphere in the process, compared to “open-burner” designs, less fuel is required to achieve and maintain a given cookpot temperature.

Gas flow to both of the burners is regulated by one electromechanical gas valve.

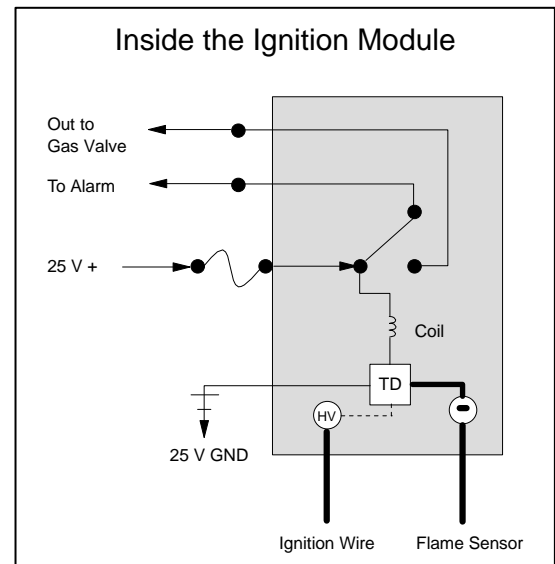
THE ELECTRONIC IGNITION SYSTEM

Ignition modules, located in the component box, are connected to ignitor assemblies at each burner. An ignition module performs four important functions: it provides fuse protection for the 24-volt circuit, provides an ignition spark, supplies voltage to the gas valve, and proofs the burner flame. The module contains a 4-second time delay circuit and a coil that activates the gas valve.

The ignitor assembly consists of a spark plug, an enrichment tube, and a flame sensor.

At start-up, the power switch is placed in the ON position, supplying approximately 12-volts DC to the heat control circuitry in the controller and to one side of the heat relay coil on the interface board. If resistance in the temperature probe indicates the temperature in the cookpot is below 160°F (71°C), the current flows through a warm-up circuit containing a timer switch that alternately closes for 4 seconds and opens for 24 seconds. If the temperature is 160°F (71°C) or above, the current flows through a heat circuit, bypassing the timer switch. In either case, ground is supplied to the other leg of the heat relay coil, which then closes an electronic switch in the 24 VAC circuit to provide current to the ignition module.

Circuitry in the ignition module sends 24 VAC to the gas valve. Simultaneously, the module causes the ignitor to spark for 4 seconds to light the burner. A flame sensor verifies that the burner is lit by measuring the flow of microamps through the flame. If the burner does not light (or is extin-



guished), current to the ignition module is cut, preventing the main valve from opening, and the ignition module “locks out” until the power switch is turned off and then back on.

A probe monitors the temperature in the cookpot. When the programmed setpoint temperature is reached, resistance in the probe causes the heat cycle circuitry in the controller to cut off current flow through the heat relay. This in turn cuts off the 24 VAC to the ignition module, causing the gas valve to close.

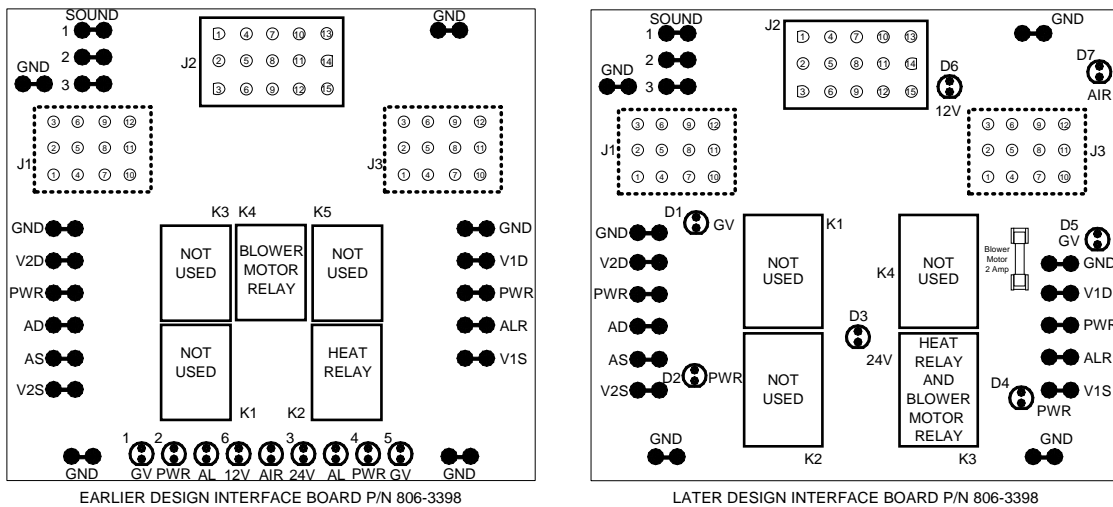
CONTROLLER AND MECHANICAL TIMERS

FBR18 and FBRA18 Series rethermalizers are equipped with a digital controller that allows the operator to enter or adjust a specific rethermalizing temperature for the cookpot. The controller does not control rethermalizing times. Rethermalizing times for up to six different products are specified by means of 60-minute mechanical timers arrayed across the front of the unit.

INTERFACE BOARDS

An interface board is located in the component box directly behind the control panel. The interface board provides a link between the controller and the rethermalizer’s individual components without requiring excessive wiring, and it allows the controller to execute commands from one central point. ***FBR18 and FBRA18 models use different interface boards. The boards are not interchangeable.***

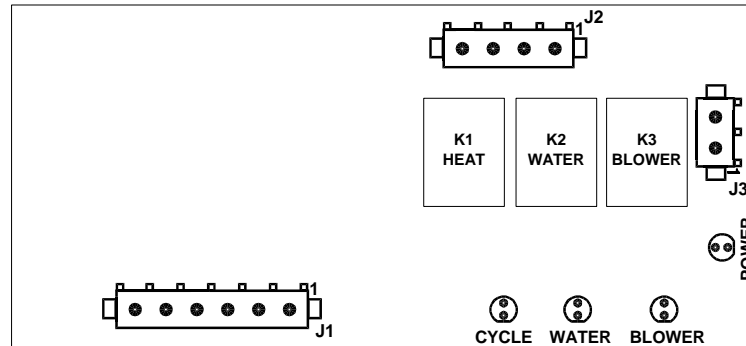
FBR18 rethermalizers have been manufactured with two different interface boards, similar in appearance to the ones illustrated below. ***Regardless of the board used when manufactured, the universal replacement part is 806-3398.*** Earlier design boards may be replaced with later design boards and vice versa.



In earlier versions, nine diagnostic LEDs are arrayed along the bottom edge of the board. Each of the LEDs is labeled with two or three letters indicating its function, and six of them are numbered. In later versions, there are seven LEDs scattered around the board. All of these LEDs are labeled and numbered. ***The diagnostic purposes of LEDs 1 through 6 on one board correspond directly to those of LEDs 1 through 6 on the other board.*** When lit, LED 3 indicates the 24VAC is being received from the transformer. LEDs 2 and 4, when lit, indicate that 24VAC is being supplied to the left and right ignition modules respectively. LED 5, when lit, indicates that 24VAC is being supplied to the gas valve. A lit LED 6 indicates that 12VAC is being received from the transformer. All other LEDs have no diagnostic purpose in rethermalizer applications.

The relays in earlier design boards are soldered on and cannot be replaced. Later design boards feature replaceable plug-in relays. In earlier designs boards, a heat relay (K2) switches 24VAC to the ignition and gas valve circuits when the controller heat logic circuit calls for heat. Simultaneously, a blower motor relay (K4) switches 120VAC to the blower motor. In later design boards, relay K3 serves as both the heat relay and blower motor relay.

FBRA18 rethermalizers use interface board 806-9592, often referred to as a *water board*.



INTERFACE BOARD P/N 806-9592

On interface board **806-9592**, the heat (or cycle) relay (K1) switches 24VAC to the ignition and gas valve circuits when the controller’s heat logic circuit calls for heat **and** the lower water level sensor is grounded (i.e., the water level in the cookpot is above the lower water level sensor). If the water level in the cookpot is below the upper water level sensor, the water relay (K2) closes, switching power to the normally closed water solenoid valve, causing it to open. When the water level reaches the upper sensor, the relay opens, cutting power to the valve, causing it to close. The blower relay (K3) closes and switches 120VAC to the blower motor only when the heat relay (K1) is closed. The board has four LEDs to assist in troubleshooting. Three of the LEDs (CYCLE, WATER, and BLOWER) are arrayed along the lower edge of the board. The fourth LED (POWER) is located at the right edge of the board. When the cycle, water, and blower LEDs are illuminated, they indicate that the associated relay is closed. The power LED indicates that 24VAC is being supplied to the interface board by the transformer.

TEMPERATURE PROBE

A temperature probe is located on the front centerline of the cookpot. The probe is a type of thermostat in which the resistance varies directly with the temperature. That is, as the temperature changes, so does resistance, at a rate of approximately 2 ohms for every 1° of rise or fall. Circuitry in the controller monitors the probe resistance and controls burner firing when the resistance exceeds or falls below a programmed temperature (setpoint). The temperature is programmed by means of up or down arrow buttons on the face of the controller.

WATER LEVEL SENSORS (FBRA18 Only)

A pair of water level sensors is arranged one above the other on the left front of the FBRA18 cookpot. When water contacts the sensors they are grounded. The lower sensor acts as a safety device to keep the burner from firing when there is no water in the cookpot. When the sensor is grounded by contact with water, a transistor on the interface board is biased and the heat relay (K1) pulls in, supplying power to the blower via relay K3 and to the gas valve via the ignition modules. Grounding the upper water level sensor causes the water relay (K2) to open. This cuts power to the water solenoid valve, which closes, cutting off water flow into the cookpot.

6.2 Accessing the Rethermalizer for Servicing

DANGER

Moving a rethermalizer filled with hot water may cause spilling or splattering of the hot water. Always drain the cookpot before attempting to relocate the unit for servicing.

1. Shut off the gas supply to the unit. Unplug the electrical power cord. Disconnect the unit from the gas supply.
2. Remove any attached restraining devices.
3. Relocate the rethermalizer for service accessibility.
4. After servicing is complete, reconnect the unit to the gas supply, reattach restraining devices, and plug in the electrical power cord.

6.3 Cleaning the Gas Valve Vent Tube



Refer to Semi-Annual Checks and Services in Chapter 4, Preventive Maintenance.

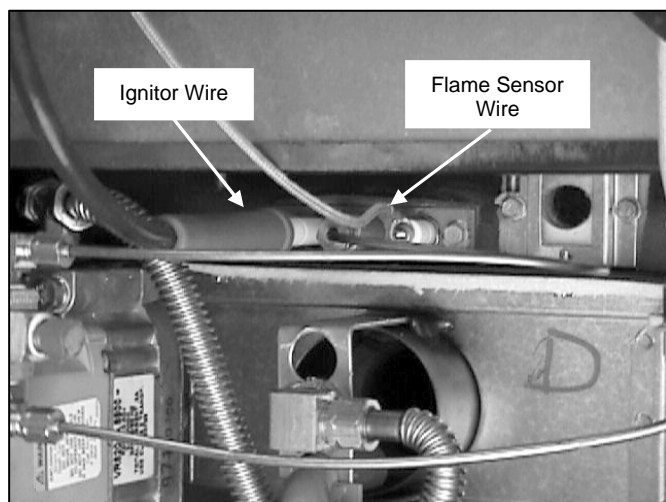
6.4 Checking the Burner Manifold Gas Pressure

Refer to Semi-Annual Checks and Services in Chapter 4, Preventive Maintenance.

6.5 Measuring Flame Current

When the burner flame is properly adjusted, it will produce a current between 3.5 μA and 6.5 μA . Flame current is measured by placing a *microamp* (not milliamp) meter in series with the white sensing wire on the ignitor. This is accomplished as follows:

1. Turn the unit OFF (press the  button).
2. Disconnect the white flame sensor wire from one of the burner ignitor assemblies and connect it to the positive lead of the meter. Connect the negative lead of the meter to the terminal from which the sensing wire was removed.
3. Turn the unit ON (press the  button). When a cold unit is first turned on, the burner will cycle on and off repeatedly until the temperature in the cookpot reaches 180°F (82°C). When the water in the unit exceeds that temperature, the burner will stay on until the setpoint is reached. Check the reading when the burner has been on continuously for at least one minute.



6.6 Replacing Components

6.6.1 Replacing the Controller or Controller Wiring Harness

Refer to Chapter 5, Section 5.3 for this procedure.

6.6.2 Replacing the Temperature Probe

1. Unplug the rethermalizer and drain the cookpot.
2. Remove the screws from the upper corners of the timer panel and swing the panel open from the top, allowing it to rest on its hinge tabs. Cut the probe leads off at the rear of the probe. **NOTE:** Once the probe leads have been cut, the probe cannot be reused. Work the Tinnerman retaining clip rearward off the probe.
3. Remove the two screws securing the probe cover to the probe block and remove the cover. Slip the failed probe out of the block from the cookpot side and replace with a new probe. Carefully remove the Tinnerman retaining clip from the replacement probe to allow the leads and short end of the probe to be inserted through the probe block from cookpot side. When the replacement probe has been inserted, work the retaining clip onto the probe until the probe is held securely in place. Reinstall the probe cover and timer panel.
4. Remove the screws from the upper corners of the control panel and swing the panel open from the top, allowing it to rest on its hinge tabs. Remove the two upper screws securing the component box to the rethermalizer. Rotate the box forward and outward to expose the 12-pin connector on the rear of the interface board.
5. Unplug the 12-pin connector from the interface board. Using a pin pusher, remove the cut off pieces of wire from the connector one at a time, and insert the corresponding wire from the new probe.
6. Reattach the 12-pin connector to the interface board, rotate the component box back into position, and replace and tighten the mounting screws. Close the control panel and replace the screws in each upper corner.

6.6.3 Replacing the Interface Board

1. Unplug the rethermalizer and drain the cookpot.
2. Remove the screws from the upper corners of the control panel and swing the panel open from the top, allowing it to rest on its hinge tabs.
3. Detach the grounding wire from the controller, unplug the 15-pin connector from the interface board, and remove the control panel from the unit by lifting it up and out of the hinge slots in the control panel frame.
4. Remove the two upper screws securing the component box to the rethermalizer. Rotate the box forward and outward to expose the 12-pin connector on the rear of the interface board, and unplug it from the board.

5. On FBRA18 models only, mark the water level sensor wires and disconnect them from terminals J1-1 (upper sensor) and J1-2 (lower sensor).
6. Remove the nuts in each corner of the interface board and carefully pull the board off the mounting studs, being careful not to dislodge the spacers on the studs.
7. Position the replacement board on the studs and replace the four nuts.
8. Reconnect the water level sensor wires (FBRA18 models only) and the 12-pin connector to the interface board.
9. Rotate the component box back into position and replace and tighten the mounting screws. Re-mount the control panel to the component box and reattach the grounding wire.
10. Reattach the 15-pin connector to the interface board.
11. Close and secure the control panel.

6.6.4 Replacing an Ignition Module

1. Unplug the rethermalizer and drain the cookpot.
2. Disconnect the ignitor wire and flame sensor wire from the right burner assembly.
3. Remove the five screws from the rear of the transformer box and pull the box out of the unit sufficiently to allow the removal of the five screws in the cover of the box. Remove the cover.
4. Unplug the ignitor wire and flame sensor wire from the module to be replaced. Disconnect the remaining wires from the ignition module one at a time and mark them to facilitate reconnection.
5. Remove the four screws securing the module in place and lift the module out of the box. Remove the four spacers from the back of the failed module and insert them into the holes on the replacement module, tapered end in.
6. Reverse steps 1 through 5 to complete the procedure.

6.6.5 Replacing an Ignitor Assembly

1. Unplug the rethermalizer and drain the cookpot.
2. Remove the ignitor wire and flame sensor wire from the ignitor assembly. Disconnect the gas enrichment tube from the assembly.
3. Remove the two mounting screws and pull the ignitor assembly out of the burner.
4. Install the replacement ignitor assembly.
5. Reconnect the ignitor wire, flame sensor wire, and gas enrichment tube.

6.6.6 Replacing the Combustion Air Blower

Refer to Chapter 4, Section 4.4, *Clean Combustion Air Blower*, for instructions on removing and re-installing the combustion air blower.

6.6.7 Replacing the Gas Valve

1. Turn off the gas supply to the rethermalizer, unplug the unit, and drain the cookpot.
2. Disconnect the unit from the gas supply line and remove any fitting that may be attached to the gas manifold at the rear of the unit.
3. Disconnect the gas lines at each burner orifice.
4. Disconnect the gas enrichment tubes at the gas valve cross fitting.
5. Disconnect the wires from the gas valve terminal, marking each wire to facilitate reconnection.
6. Remove the two nuts securing the gas manifold bracket to the base frame.
7. Pull the gas manifold assembly out the front of the unit.
8. Remove the gas valve from the manifold assembly and remove all fittings from the old valve.
9. Install the fittings removed from the old valve on the new valve, using Loctite[®] PST56765 or equivalent pipe thread sealant.
10. Apply Loctite[®] PST56765 pipe thread sealant or equivalent to the threads of the manifold and install the new gas valve.
11. Position the gas manifold system in the unit and replace the two nuts removed in step 6.
12. Reverse steps 1-5 to complete installation.
13. Check burner manifold gas pressure in accordance with procedure given in Chapter 4.

6.6.8 Replacing a Burner Assembly

(NOTE: If space permits, it is recommended that the unit be disconnected from the gas line and laid on its back when performing this procedure. Be sure to place blocks under the unit to protect the end of the gas line.)

1. Unplug the rethermalizer.
2. Disconnect the flexible gas line at the burner orifice.
3. Remove both air hoses from the blower assembly and the burner assemblies.

4. Remove the four screws from the blower stabilizing bracket attached to the blower assembly and to each burner. Remove the stabilizing bracket from the unit.
5. Remove the screw securing the blower support bracket to the cookpot assembly and lower the blower assembly out of the way. It is not necessary to disconnect the blower wiring.
6. Remove the two screws at the front of the burner assembly to be replaced, then pull the assembly toward the front of the unit slightly to free it from its rear support. Remove the assembly through the bottom of the unit.
7. Reverse steps 1-6 to install replacement burner assembly, being careful to get the insulation strip running along the top of the blower support bracket back in place.

6.6.9 Replacing the Cookpot

1. Remove the cookpot insert.
2. Remove the top cap by removing the two screws on the front and the screw on each end.
3. Remove the flue cap and lid assembly by removing the two screws on each side and the two outermost screws on the back. Rotate the bottom of the flue cap forward slightly to allow the top of the flue cap to slip out from under the back panel.
4. Remove the four screws securing the upper flue assembly to the back panel.
5. Remove the blower motor by removing the four nuts securing it to blower mounting bracket.
6. Disconnect the flexible gas lines, gas enrichment tubes, ignitor wires, and flame sensor wires from the burner assemblies.
7. Remove the temperature probe from the cookpot. Leave wires attached.
8. Disconnect the water fill line at the cookpot and at the solenoid valve inlet.
9. Disconnect the wires from the water level sensors, marking them to facilitate reconnection.
10. Lift the cookpot assembly out of the cabinet and set it, top down, on a suitable work surface.
11. Remove all other hardware from the old cookpot and install the components on the replacement cookpot, using Loctite[®] PST56765 on the drain valve threads. (NOTE: Install any replacement insulation that might be required before installing components.)
12. Reverse steps 1-10 to install the replacement cookpot.

6.7 Troubleshooting and Problem Isolation

Because it is not feasible to attempt to include in this manual every conceivable problem or trouble condition that might be encountered, this section is intended to provide technicians with a general

knowledge of possible problems, and the probable causes of each. With this knowledge, the technician should be able to isolate and correct any problem encountered.

Problems that are likely to be encountered can be grouped into five broad categories:

1. Ignition failures
2. Improper burner functioning
3. Improper temperature control
4. Controller-related problems
5. Autofill system problems.

The probable causes of each category are discussed in the following sections. A series of troubleshooting guides (decision trees) is also included at the end of the chapter to assist in identifying some of the more common problems.

6.7.1 Ignition Failures

Ignition failure occurs when the ignition module fails to sense a flame within 4 seconds and locks out. When this happens, the module sends 24 VAC through the interface board alarm circuit to the controller and the trouble light on the timer control panel lights.

The three primary reasons for ignition failure, listed in order of probability, are:

1. Problems related to the gas and/or electrical power supplies.
2. Problems related to the electronic circuits.
3. Problems related to the gas valve.

PROBLEMS RELATED TO THE GAS AND/OR ELECTRICAL POWER SUPPLIES

The main indicator of a problem with the electrical power supply is that there are no indicator lights illuminated on the unit. The main indication of a problem with the gas supply is failure of the unit to fire. Verify that the gas line quick-disconnect fitting (if used) is properly connected, the unit is plugged in, the main gas supply valve is open, and the circuit breaker for the unit's electrical supply is not tripped.

PROBLEMS RELATED TO THE ELECTRONIC CIRCUITS

If gas and electrical power are being supplied to the rethermalizer, the next most likely cause of ignition failure is a problem in the 24 VAC circuit. First, verify that the drain valve is fully closed. (The drain valve assembly includes a microswitch that must be closed for power to reach the gas valve. Often, although the valve handle appears to be in the closed position, the microswitch is still open.) If the drain valve is fully closed, refer to the troubleshooting guide **TROUBLESHOOTING THE 24 VAC CIRCUIT**.

Some typical causes of ignition failure in this category include a defective sensing wire in the ignitor assembly, a defective module, a defective ignition wire, or a defective ignitor. Occasionally an igni-

tion failure situation may be encountered in which all components appear to be serviceable and the microamp reading is within specification, but the unit nevertheless goes into ignition failure during operation. The probable cause in this case is an intermittent failure of an ignition module. When the unit is opened up for troubleshooting, the module cools down enough to operate correctly, but when the unit is again closed up and placed back into service, the module heats up and fails.

PROBLEMS RELATED TO THE GAS VALVE

If the problem is not in the 24 VAC circuit, it is most likely in the gas valve itself, but before replacing the gas valve, refer to the troubleshooting guide **TROUBLESHOOTING THE GAS VALVE**.

6.7.2 Improper Burner Functioning

With problems in this category, the burner ignites but exhibits abnormal characteristics such as “popping,” dark spots on the burner ceramics, fluctuating flame intensity, and flames shooting out of the flue.

“*Popping*” indicates delayed ignition. In this condition, the main gas valve is opening but the burner is not immediately lighting. When ignition does take place, the excess gas “explodes” into flame, rather than smoothly igniting.

The primary causes of popping are:

- Incorrect or fluctuating gas pressure
- A defective, dirty, or incorrectly adjusted combustion air blower
- Inadequate make-up air
- Heat damage to the controller or ignition module
- A cracked ignitor or broken/loose ignition wire
- A defective ignition module
- A cracked burner tile.

If popping occurs only during peak operating hours, the problem is most likely incorrect or fluctuating gas pressure. Verify that the incoming gas pressure (pressure to the gas valve) is in accordance with the following table, and that the pressure remains constant throughout all hours of usage.

Incoming Gas Pressures		
Gas	Minimum	Maximum
Natural	6" W.C.	14" W.C.
	1.49 kPa	3.48 kPa
	14.93 mbar	34.84 mbar
LP	11" W.C.	14" W.C.
	2.74 kPa	3.48 kPa
	27.37 mbar	34.84 mbar

Refer to **Check Burner Manifold Pressure** in the Semi-Annual Checks and Services section of Chapter 4 for the procedure for checking the gas pressure supplied to the burner.

If popping is consistent during all hours of operation, the most likely cause is an insufficient air supply. Check for “negative pressure” conditions in the kitchen area. If air is flowing into the kitchen area, this indicates that more air is being exhausted than is being replenished, and the burners may be starved for air.

If the rethermalizer’s gas and air supplies are okay, the problem is most likely with one of the electrical components. Examine the ignition module and controller for signs of melting/distortion and/or discoloration due to excessive heat build-up in the equipment. (This condition usually indicates improper flue performance.) A melted or distorted ignition module is automatically suspect and should be replaced, but unless the condition causing excessive heat is corrected, the problem is likely to recur.

Verify that the ignition wire is tightly connected at both ends and free of obvious signs of damage. Again, if damage is due to excessive heat in the equipment, that problem must also be corrected. Check for proper operation by disconnecting the wire from the ignitor, inserting the tip of a screwdriver into the terminal, and holding it near the frame of the unit as the power switch is placed in the on position. A strong blue spark should be generated for at least 4 seconds.

 **DANGER**

Make sure the insulated handle of the screwdriver is held and not the blade. The sparking charge is approximately 25,000 volts.

Examine the ignitor for any signs of cracking. A cracked ignitor must be replaced.

If all other causes have been ruled out, examine the burner tiles for any signs of cracking. If found, the burner must be replaced.

Fluctuating flame intensity is normally caused by either improper or fluctuating incoming gas pressure, but may also be the result of variations in the kitchen atmosphere. Verify incoming gas pressure in the same way as for popping discussed in the preceding paragraphs. Variations in the kitchen atmosphere are usually caused by air conditioning and/or ventilation units starting and stopping during the day. As they start and stop, the pressure in the kitchen may change from positive or neutral to negative, or vice versa. They may also cause changes in airflow patterns that may affect flame intensity.

Dark spots on the burner tiles are the result of an improper air/gas mixture. Adjust the combustion air blower to reduce the amount of air in the mixture to correct this problem.

Flames shooting out of the flue are usually an indication of negative pressure in the kitchen. Air is being sucked out of the burner enclosure and the flames are literally following the air. If negative pressure is not the cause, check for high burner manifold gas pressure in accordance with the procedures in Chapter 4.

An ***excessively noisy burner***, especially with ***flames shooting out of the flue***, may indicate that the gas pressure is too high, or it may simply be that the gas valve vent tube is blocked. If the incoming gas pressure is correct and the vent tube is unobstructed, the gas valve regulator is probably defective.

6.7.3 Improper Temperature Control

Temperature control is a function of several interrelated components, each of which must operate correctly. The principle component is the temperature probe. Other components include the interface board, the water level sensors (on FBRA18 units), the controller, and the ignition module. Whatever the cause, the symptom is failure of the unit to attain or maintain setpoint temperature.

On FBR18A models, the unit will not call for heat unless the controller senses that the unit is full of water. Sensing is accomplished when the water level in the cookpot contacts the upper water level sensor, grounding it. If the mineral content of the water is unusually low, such as with distilled, purified, or highly filtered water, the water will not ground the sensor. If this is the cause, adding approximately $\frac{1}{8}$ -cup of salt to the water will usually solve the problem.

Similarly, if the upper water level sensor becomes encrusted with lime, starch, or some other build-up, it will not ground properly. The solution is to clean the water level sensors thoroughly with a Scotchbrite™ or similar nylon scouring pad. **NOTE:** Do not use deliming solution to clean these units. Use of deliming solution will damage all stainless steel parts.

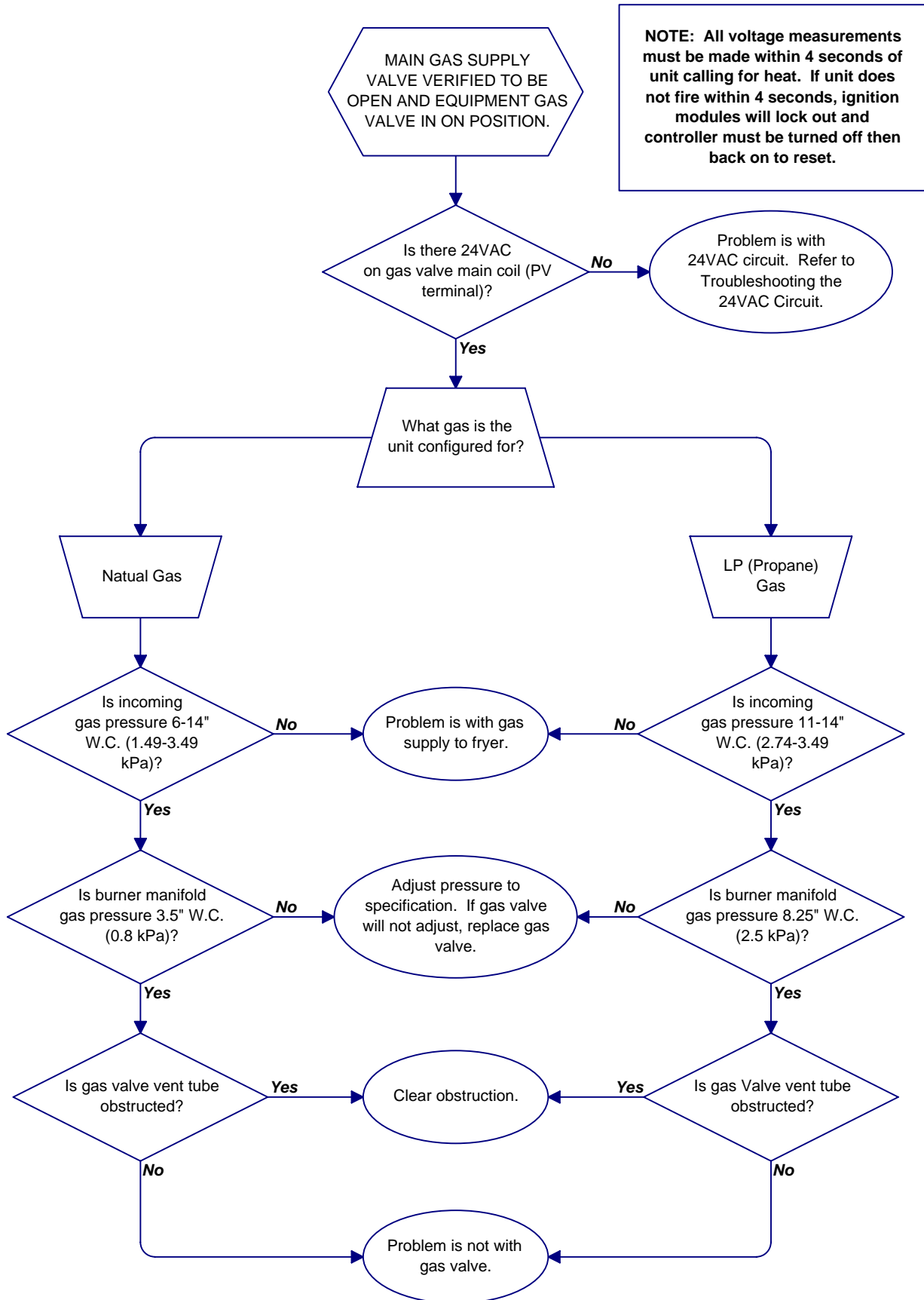
 **CAUTION**

Do not use deliming solution to clean these units. Use of deliming solution will damage all stainless steel parts.

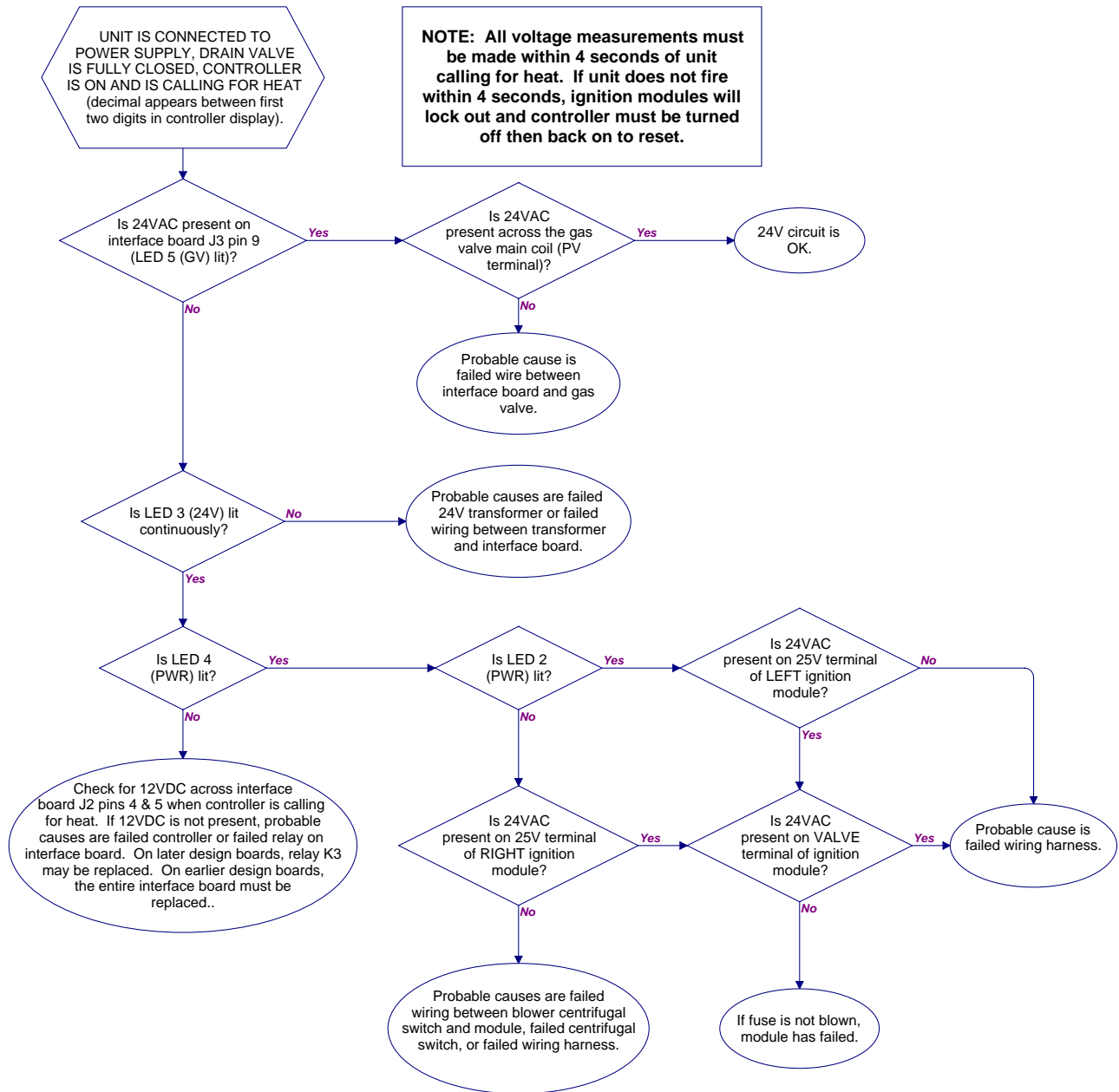
6.8 Troubleshooting Guides

The troubleshooting guides found in the pages that follow are intended to assist service technicians in quickly isolating the probable causes of equipment malfunctions by following a logical, step-by-step process. An additional set of operator troubleshooting guides is contained in Chapter 5. It is suggested that service technicians thoroughly familiarize themselves with both sets.

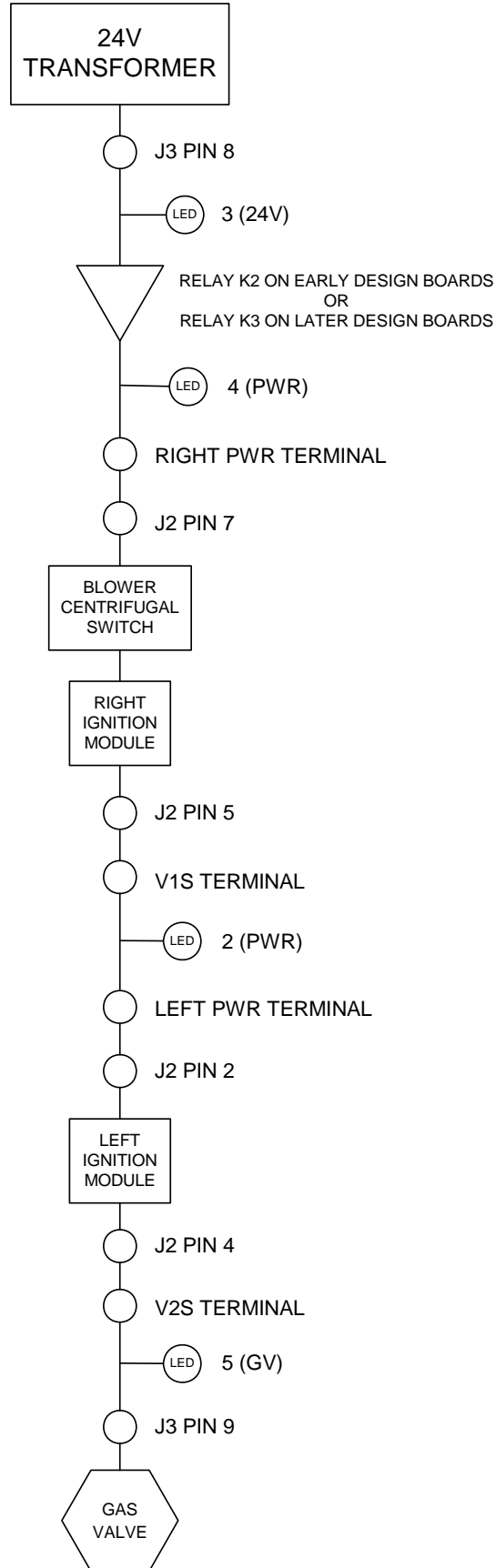
6.8.1 Troubleshooting the Gas Valve



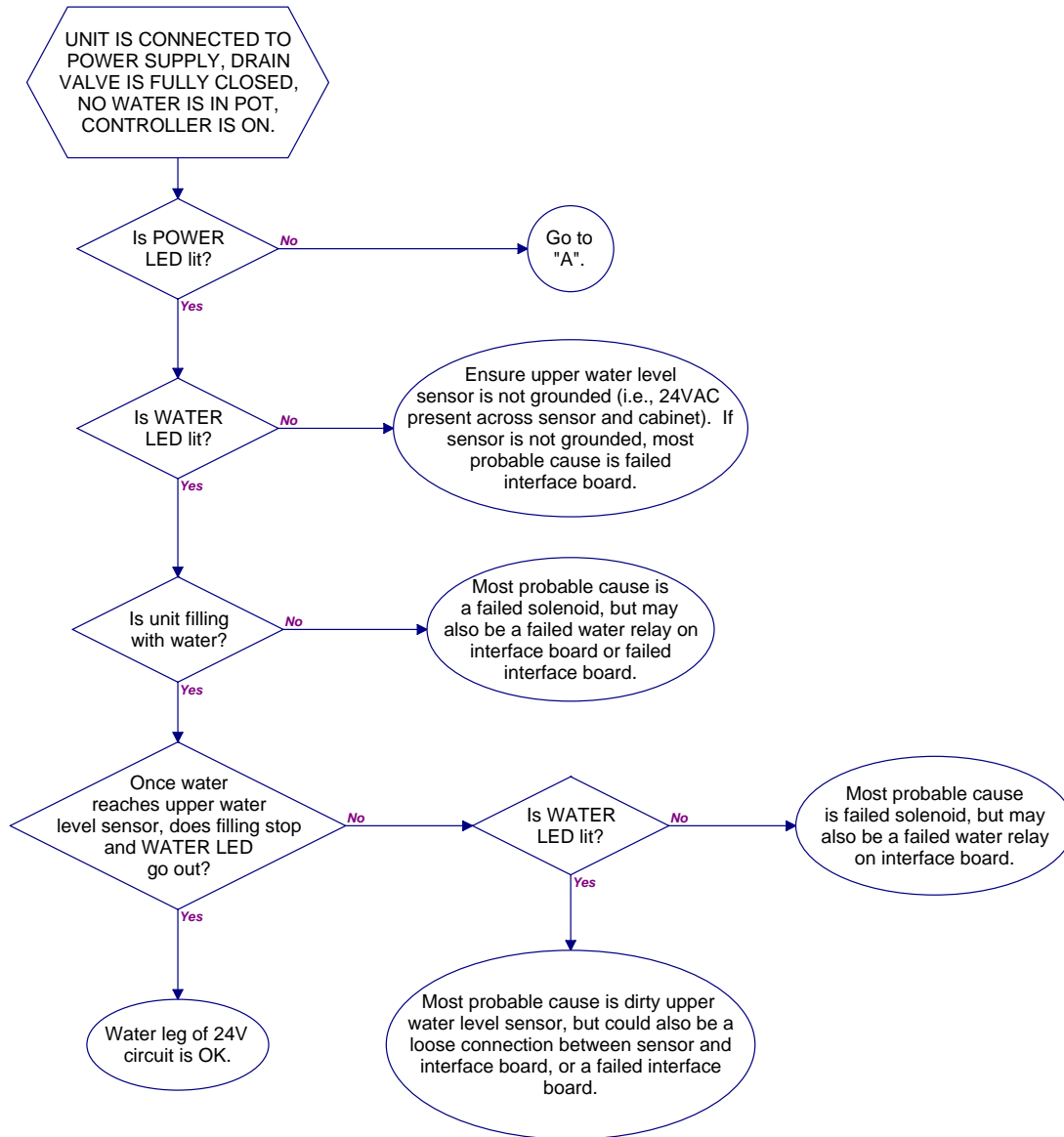
6.8.2 Troubleshooting the 24 VAC Circuit in FBR18 Units



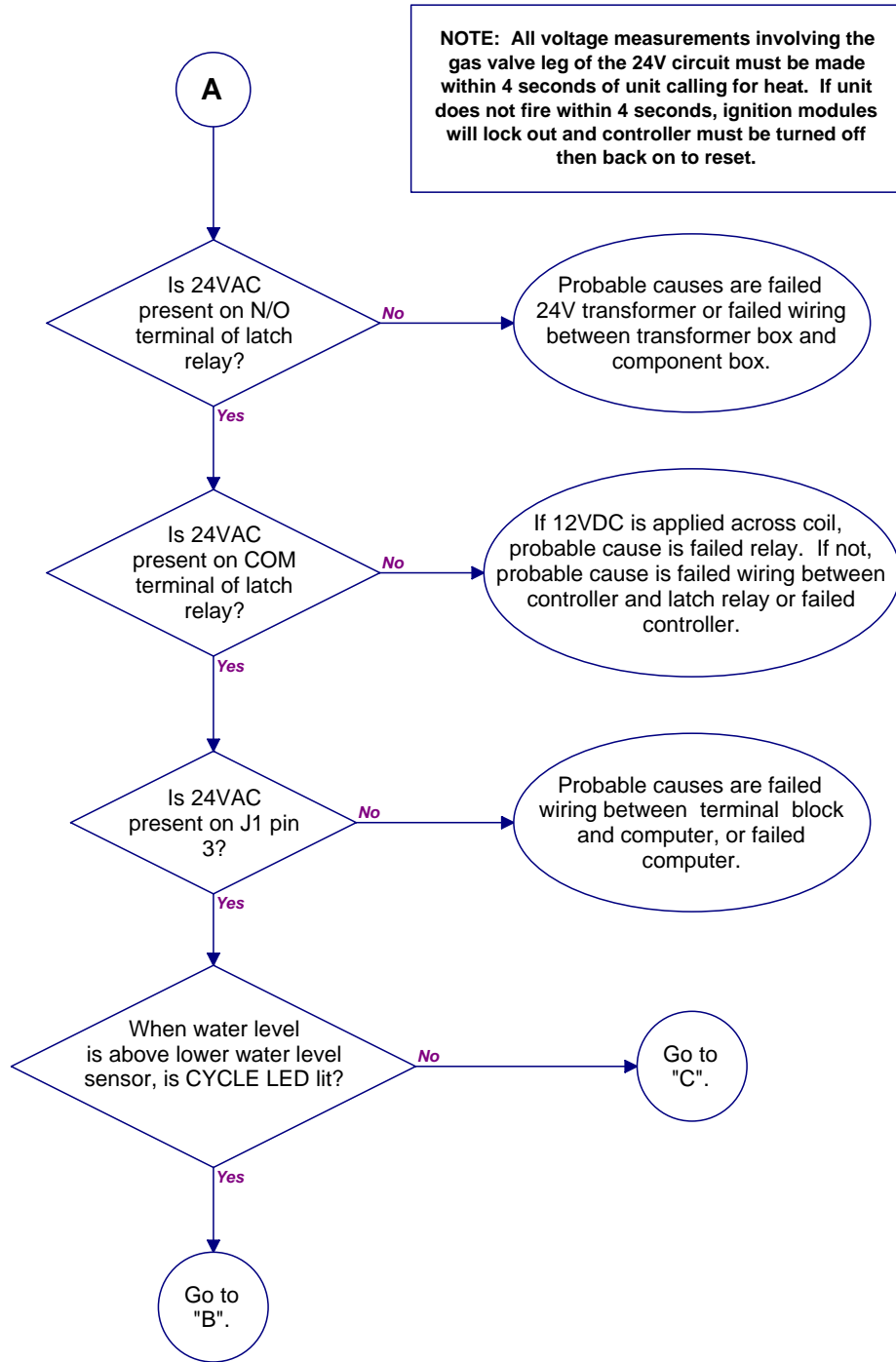
THE 24 VAC CIRCUIT IN FBR18 UNITS



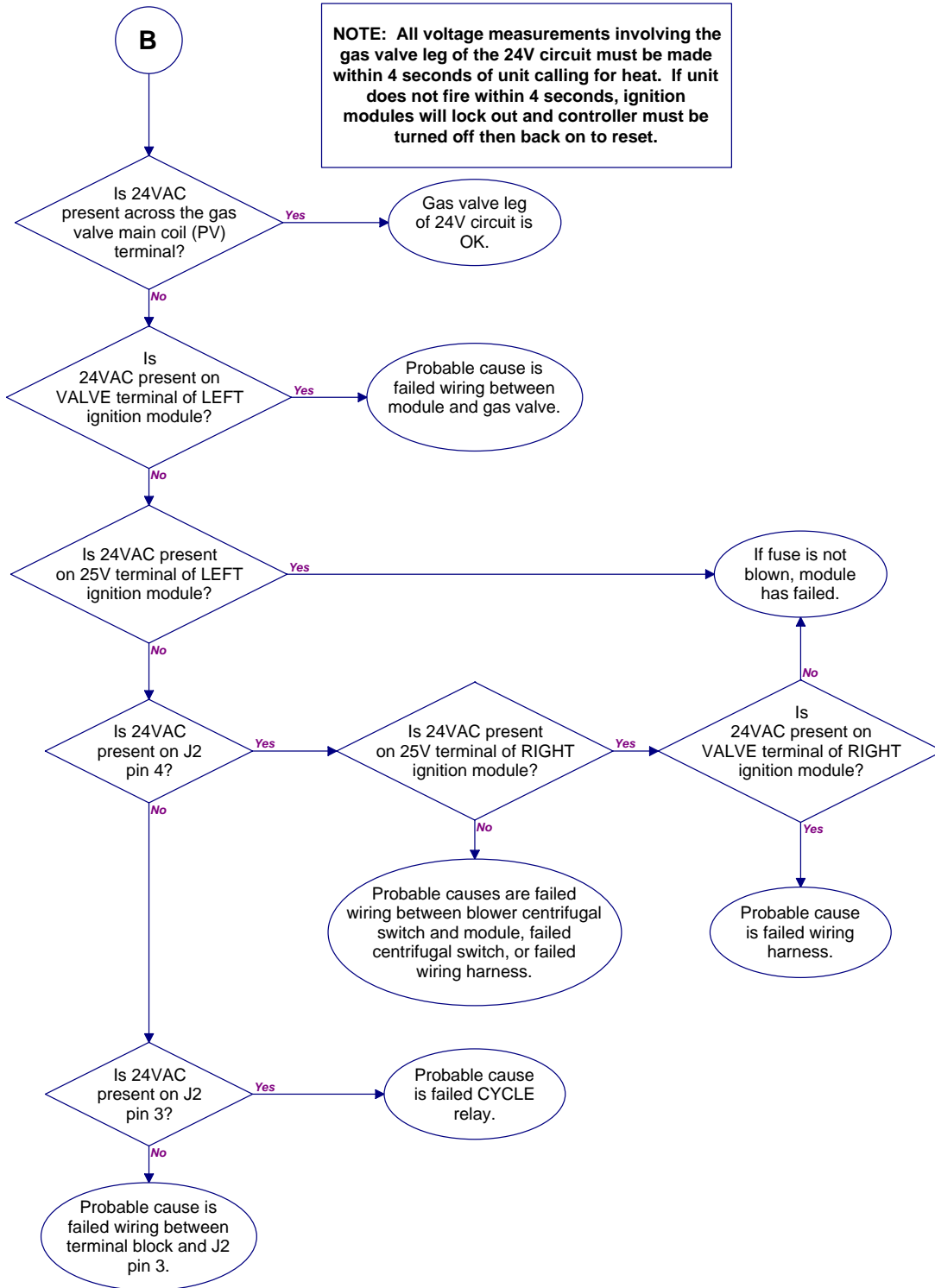
6.8.3 Troubleshooting the 24 VAC Circuit in FBRA18 Units



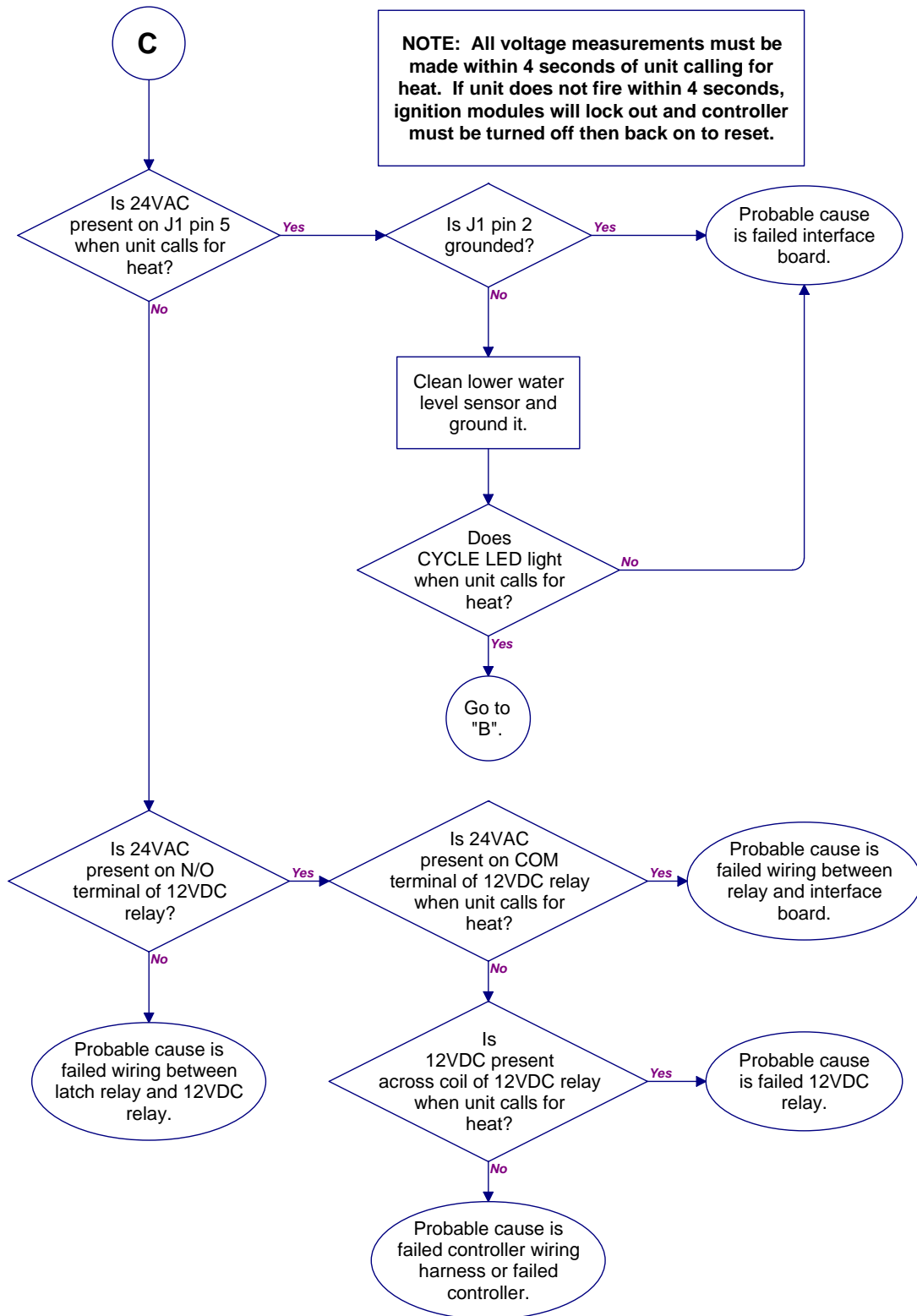
6.8.3 Troubleshooting the 24 VAC Circuit in FBRA18 Units (Continued)



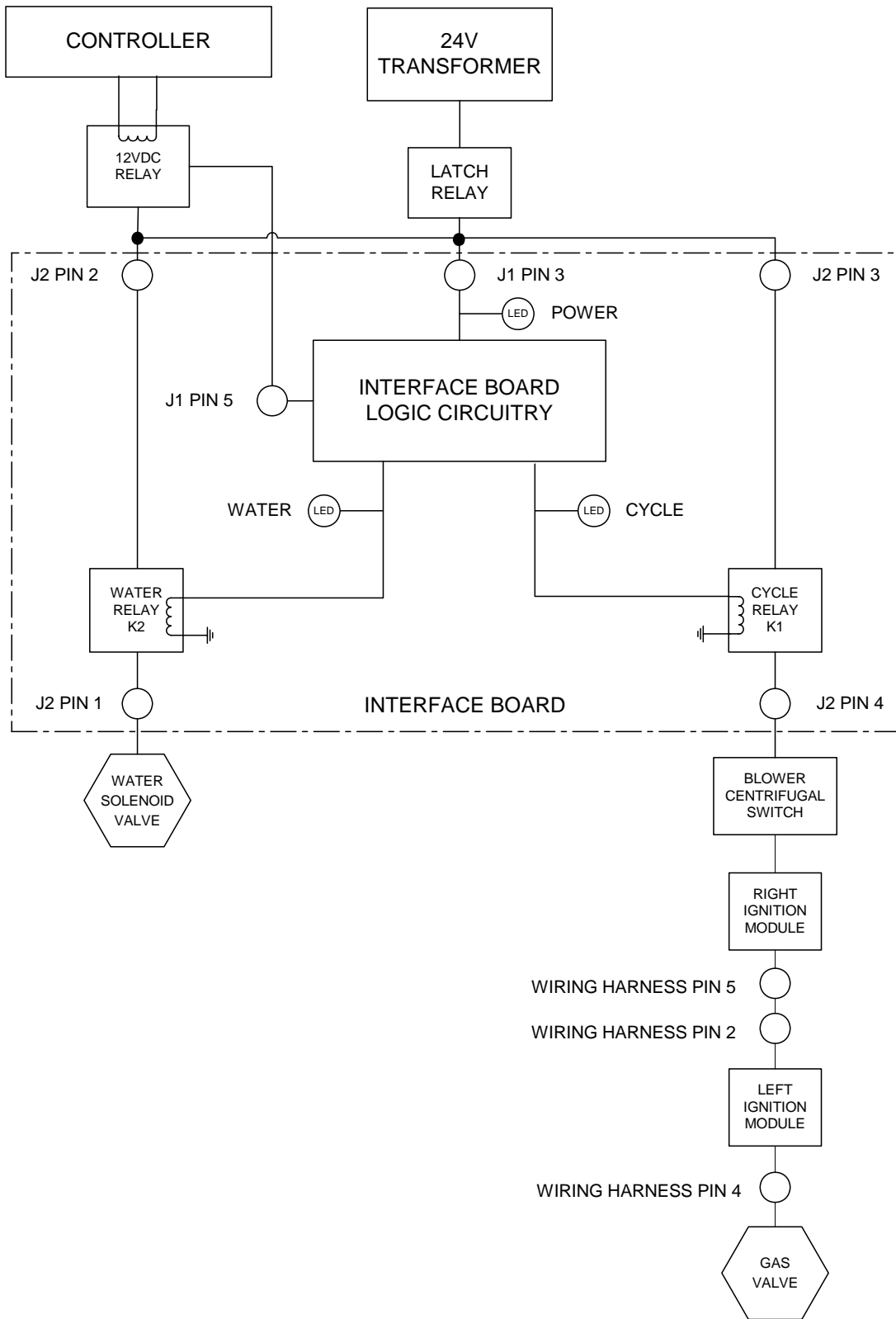
6.8.3 Troubleshooting the 24 VAC Circuit in FBRA18 Units (Continued)



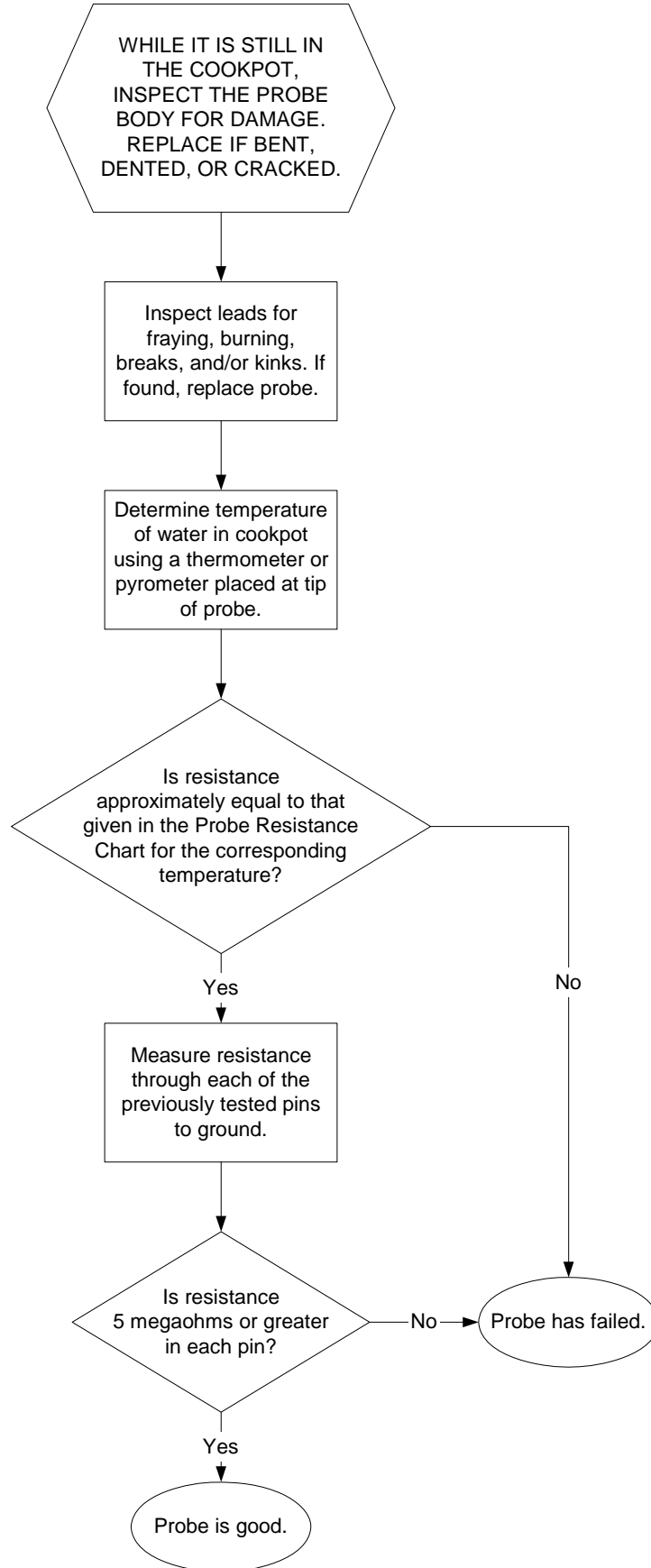
6.8.3 Troubleshooting the 24 VAC Circuit in FBRA18 Units (Continued)



THE 24VAC CIRCUIT IN FBRA18 UNITS



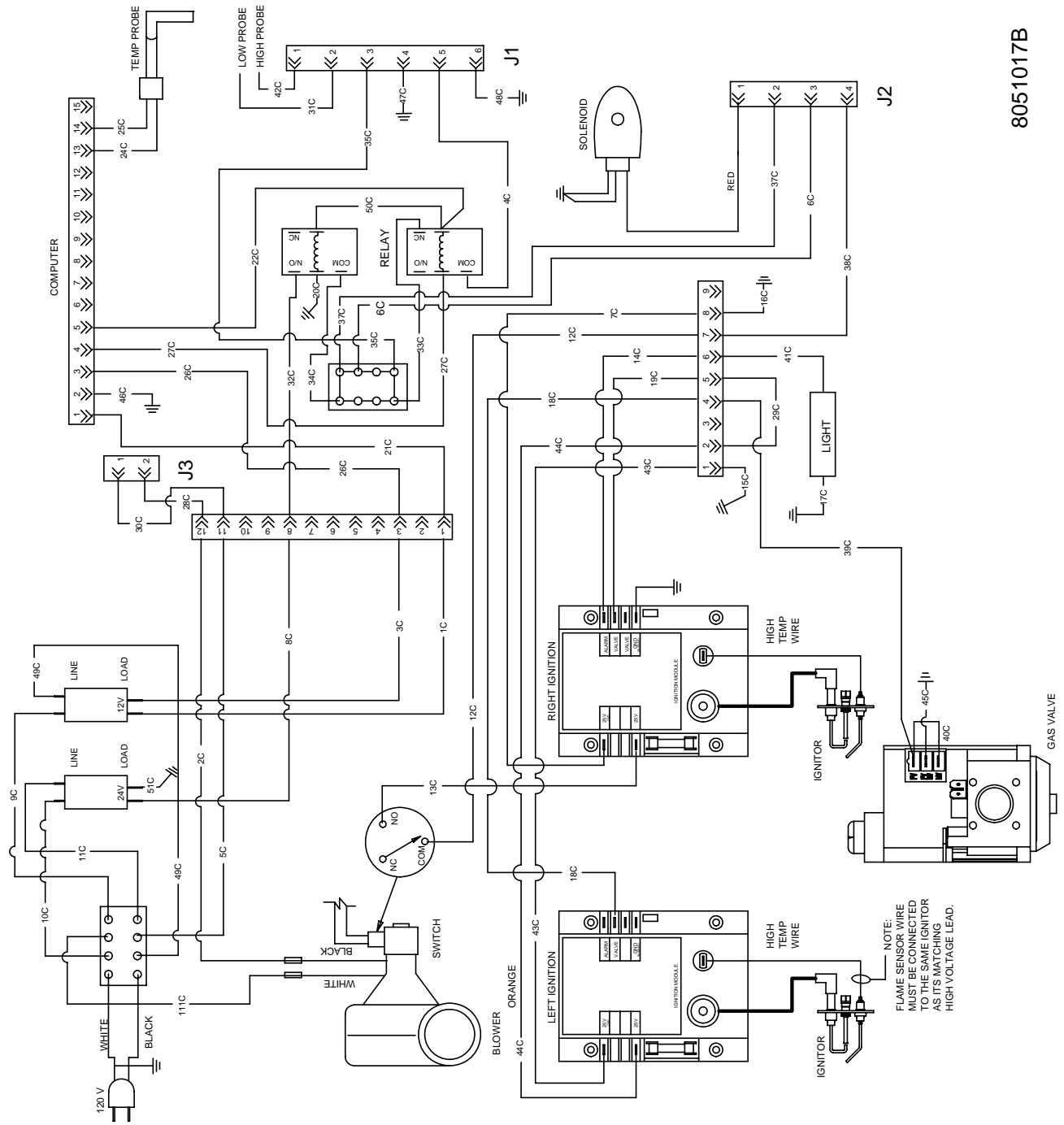
6.8.4 Troubleshooting the Temperature Probe



Probe Resistance Chart

F	OHMS	C	F	OHMS	C	F	OHMS	C	F	OHMS	C	F	OHMS	C
32	1000	0	83	1107	28	134	1214	57	185	1320	85	236	1424	113
33	1002	1	84	1110	29	135	1216	57	186	1322	86	237	1426	114
34	1004	1	85	1112	29	136	1218	58	187	1324	86	238	1428	114
35	1006	2	86	1114	30	137	1220	58	188	1326	87	239	1430	115
36	1008	2	87	1116	31	138	1222	59	189	1328	87	240	1432	116
37	1011	3	88	1118	31	139	1224	59	190	1330	88	241	1434	116
38	1013	3	89	1120	32	140	1226	60	191	1332	88	242	1436	117
39	1015	4	90	1122	32	141	1229	61	192	1334	89	243	1438	117
40	1017	4	91	1124	33	142	1231	61	193	1336	89	244	1440	118
41	1019	5	92	1126	33	143	1233	62	194	1338	90	245	1442	118
42	1021	6	93	1128	34	144	1235	62	195	1340	91	246	1444	119
43	1023	6	94	1131	34	145	1237	63	196	1342	91	247	1447	119
44	1025	7	95	1133	35	146	1239	63	197	1344	92	248	1449	120
45	1030	7	96	1135	36	147	1241	64	198	1346	92	249	1451	121
46	1032	8	97	1137	36	148	1243	64	199	1348	93	250	1453	121
47	1034	8	98	1139	37	149	1245	65	200	1350	93	251	1455	122
48	1036	9	99	1141	37	150	1247	66	201	1352	94	252	1457	122
49	1038	9	100	1143	38	151	1249	66	202	1354	94	253	1459	123
50	1040	10	101	1145	38	152	1251	67	203	1357	95	254	1461	123
51	1042	11	102	1147	39	153	1253	67	204	1359	96	255	1463	124
52	1044	11	103	1149	39	154	1255	68	205	1361	96	256	1465	124
53	1046	12	104	1151	40	155	1258	68	206	1363	97	257	1467	125
54	1049	12	105	1154	41	156	1260	69	207	1365	97	258	1469	126
55	1051	13	106	1156	41	157	1262	69	208	1367	98	259	1471	126
56	1053	13	107	1158	42	158	1264	70	209	1369	98	260	1473	127
57	1055	14	108	1160	42	159	1266	71	210	1371	99	261	1475	127
58	1057	14	109	1162	43	160	1268	71	211	1373	99	262	1477	128
59	1059	15	110	1164	43	161	1270	72	212	1375	100	263	1479	128
60	1061	16	111	1166	44	162	1272	72	213	1377	101	264	1481	129
61	1063	16	112	1168	44	163	1274	73	214	1379	101	265	1483	129
62	1065	17	113	1170	45	164	1276	73	215	1381	102	266	1485	130
63	1067	17	114	1172	46	165	1278	74	216	1383	102	267	1487	131
64	1068	18	115	1174	46	166	1280	74	217	1385	103	268	1489	131
65	1070	18	116	1176	47	167	1282	75	218	1387	103	269	1491	132
66	1072	19	117	1179	47	168	1284	76	219	1389	104	270	1493	132
67	1074	19	118	1181	48	169	1287	76	220	1391	104	271	1495	133
68	1076	20	119	1183	48	170	1289	77	221	1393	105	272	1497	133
69	1078	21	120	1185	49	171	1291	77	222	1395	106	273	1499	134
70	1080	21	121	1187	49	172	1293	78	223	1398	106	274	1501	134
71	1082	22	122	1189	50	173	1295	78	224	1400	107	275	1503	135
72	1084	22	123	1191	51	174	1297	79	225	1402	107	276	1505	136
73	1086	23	124	1193	51	175	1299	79	226	1404	108	277	1507	136
74	1089	23	125	1195	52	176	1301	80	227	1406	108	278	1509	137
75	1091	24	126	1197	52	177	1303	81	228	1408	109	279	1512	137
76	1093	24	127	1199	53	178	1305	81	229	1410	109	280	1514	138
77	1095	25	128	1201	53	179	1307	82	230	1412	110	281	1516	138
78	1097	26	129	1204	54	180	1309	82	231	1414	111	282	1518	139
79	1099	26	130	1206	54	181	1311	83	232	1416	111	283	1520	139
80	1101	27	131	1208	55	182	1313	83	233	1418	112	284	1522	140
81	1103	27	132	1210	56	183	1315	84	234	1420	112	285	1524	141
82	1105	28	133	1212	56	184	1317	84	235	1422	113	286	1526	141

6.10 Wiring Diagram for FBRA18 Units

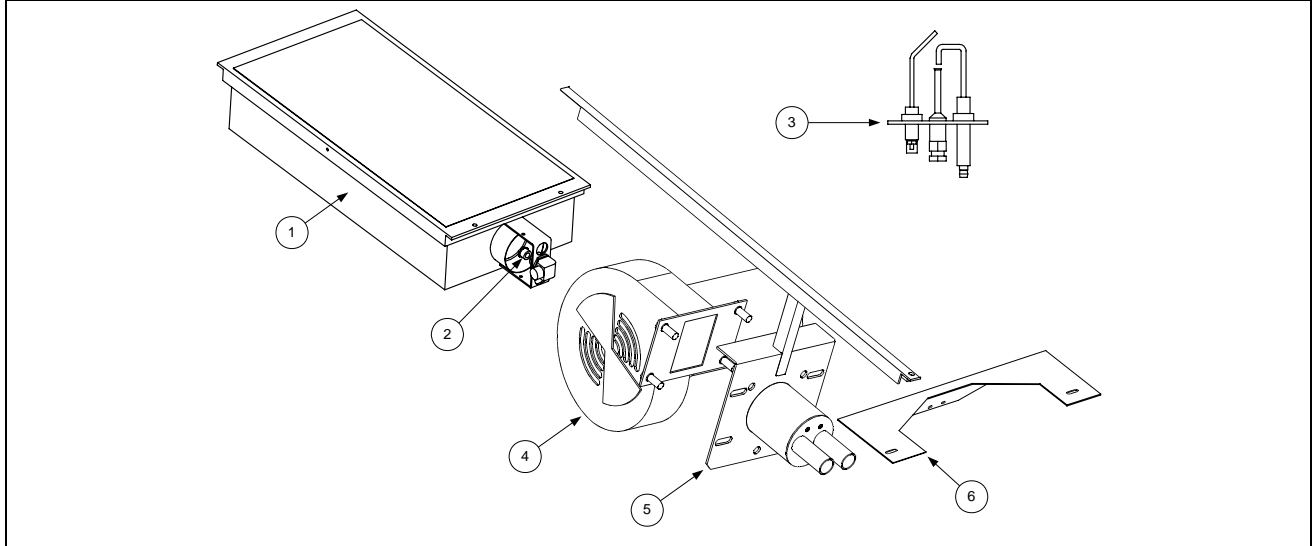


8051017B

FBR18 & FBRA18 SERIES GAS RETHERMALIZERS

CHAPTER 7: PARTS LIST

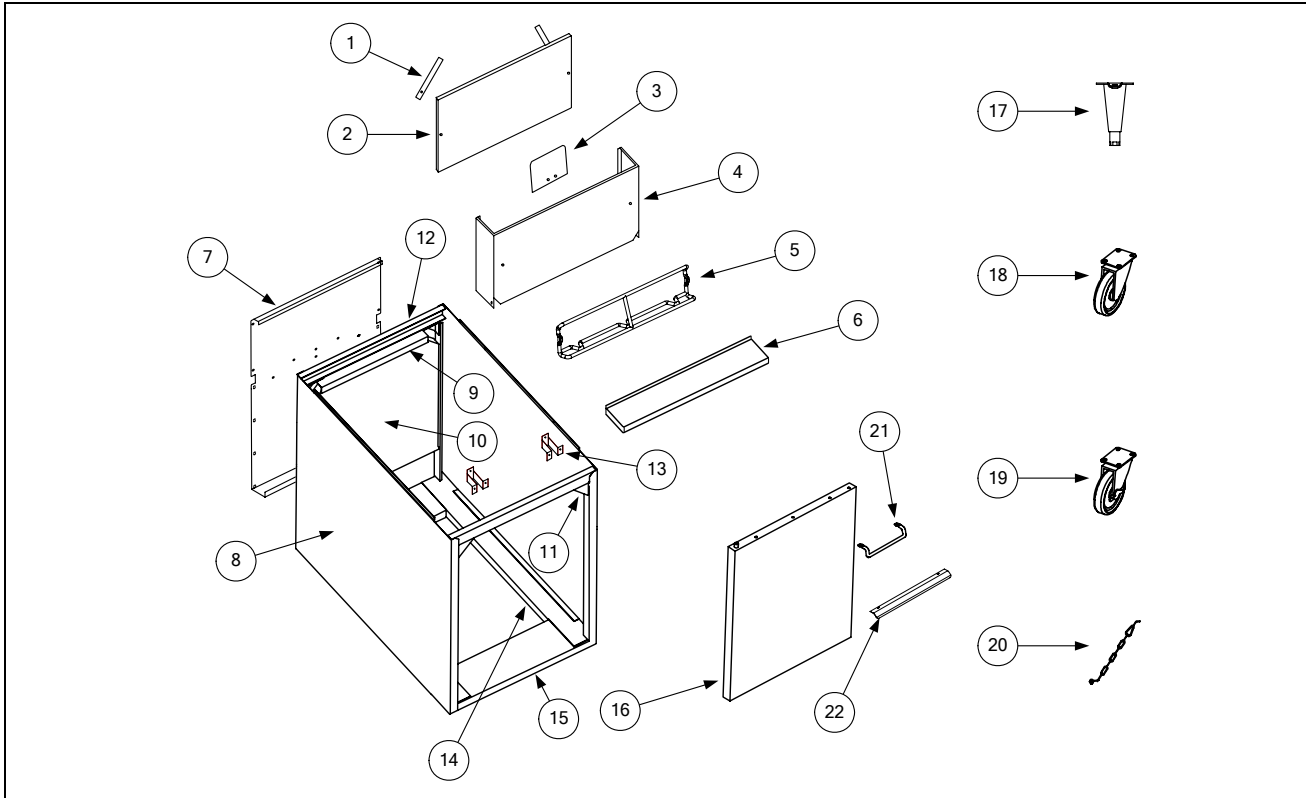
7.1 Burner System Components



ITEM	PART #	COMPONENT
		Burner Assemblies
	806-5563	Natural Gas, Complete
	806-5564SP	Propane Gas, Complete
1	810-1382	Burner, Reverse Plenum, Universal
2		Orifice
	810-0916	Natural Gas, 3.26mm
	810-0917	Propane Gas, 2.00mm
3		Ignitor
	810-0521	Natural Gas
	810-0608	Propane Gas
4	807-1564	Blower, Combustion Air
5	823-2528	Mount, Combustion Air Blower
6	900-5525	Bracket, Combustion Air Blower Stabilizer
*	816-0055	Insulation, Burner Support, 1/2" x 17.38"
*	810-0507	Spacer, Combustion Air Blower Mount, .23" x .75"
*	807-1878	Ignitor Wire, 19" (See illustration on Page 7-3)
*	816-0165	Insulation, Ignitor
*	806-5541	Flame Sensor Wire (See illustration on Page 7-3)
*	816-0278	Hose, Air, 5/8" ID
*	823-2526	Bracket, Air Hose Connection, Left
*	823-2685	Bracket, Air Hose Connection, Right
*	900-1789	Enrichment Tube

* Not illustrated

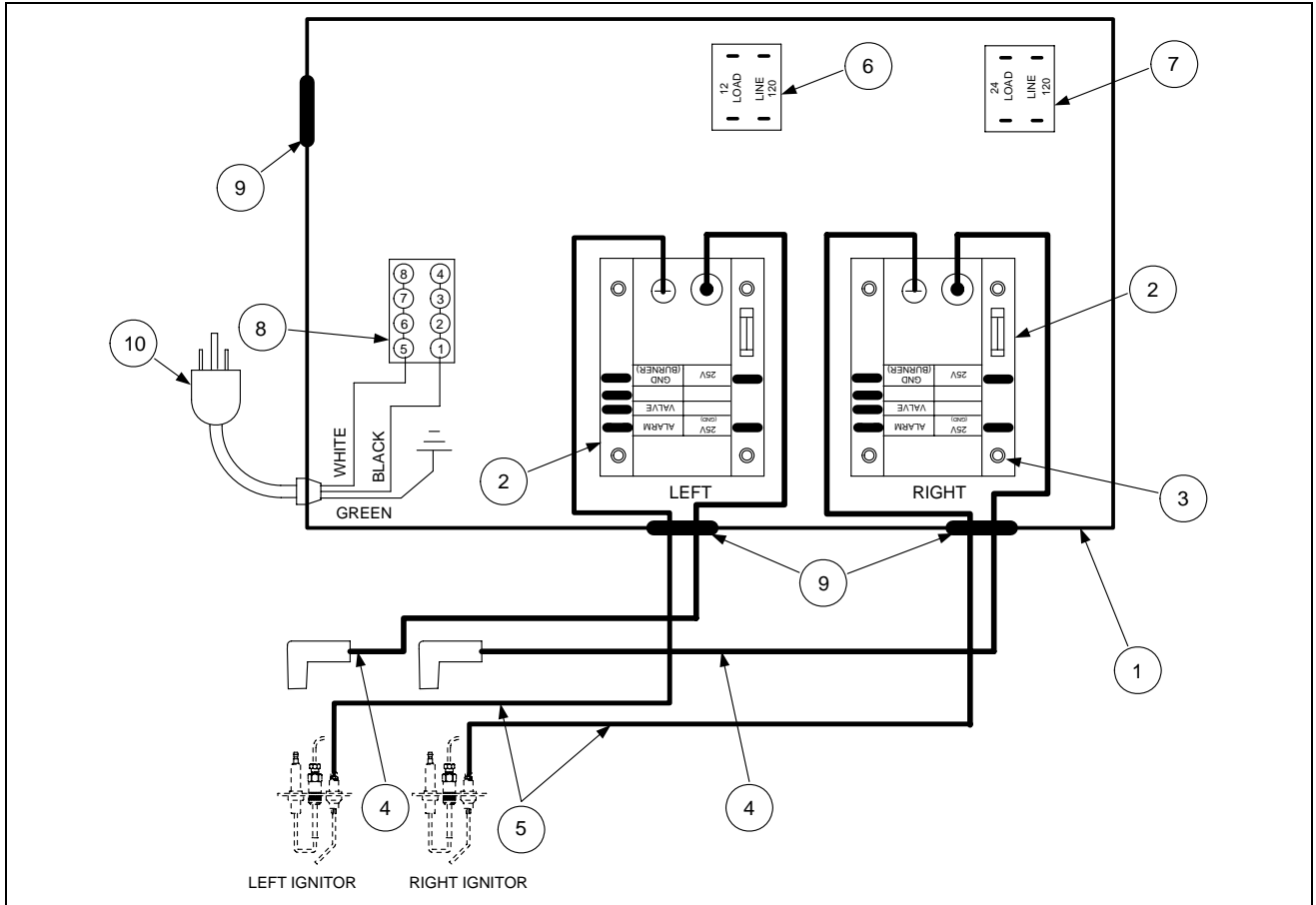
7.2 Cabinetry and Associated Components



ITEM	PART #	COMPONENT
1	910-1181	Retainer, Flue Cap Insulation
2	816-0157	Insulation, Flue
3	900-4603	Flue Guard
4	823-2107	Flue Cap
5	810-2263	Hanger, Basket (replaced extruded aluminum hanger, no longer available)
6	910-7434	Top Cap
7	900-7379	Back, Cabinet
8	900-7377	Side, Cabinet, CRS, Left or Right
9	900-4521	Retainer, Cabinet Back Insulation
10	812-1141	Insulation, Cabinet Back
11	900-1552	Gusset
12	900-4505	Top Brace
13	900-1759	Bracket, Pot Hold Down
14	900-7376	Channel, Base Side, Left or Right
15	900-4504	Channel, Base Front or Rear
16	806-3853	Door Assembly
17	826-3811	Leg Assembly (set of four)
18	810-0356	Caster, 5-inch Wheel, w/o Brake
19	810-0357	Caster, 5-inch Wheel, w/Brake
20	826-0900	Chain Restraint Kit
*	806-5209	Leg Pad Assembly
*	812-1142	Insulation, Cabinet Back, 2" x 17.5"
21	810-1422	Handle, Wireform Door (<i>cannot replace 210-9214</i>)
22	210-9214	Handle, Eurolook Door (<i>cannot replace 810-1402</i>)

* Not illustrated

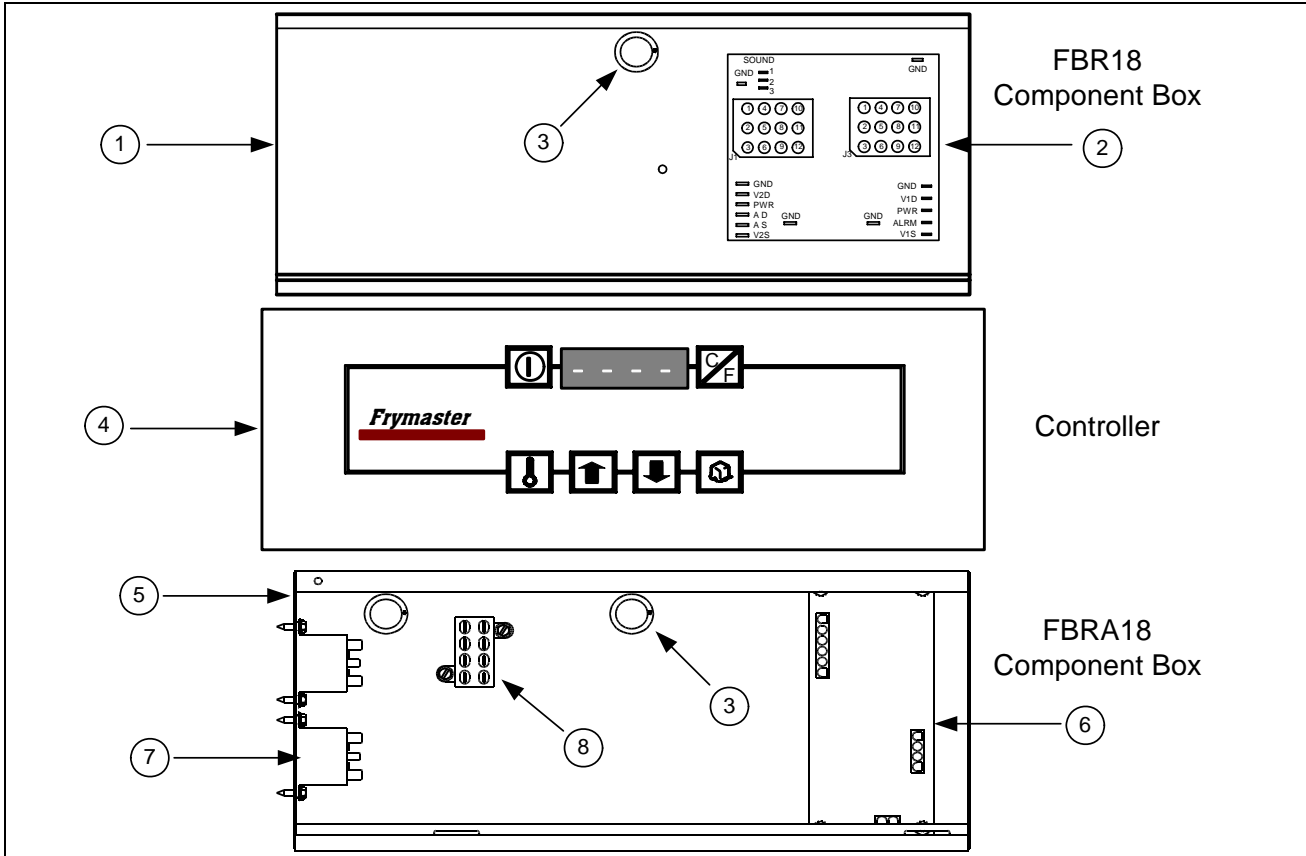
7.3 Control Box Assembly and Associated Parts, FBR18/ FBRA18



ITEM	PART #	COMPONENT
1	900-4509	Control Box Mounting Base
2	807-1006	Ignition Module, 4-Second Honeywell
3	809-0446	Spacer, .26-inch x .50-inch
4	807-1706	Cable, Ignition, 36-inch
5	806-5541	Wire, Flame Sensor
6	807-0855	Transformer, 120V-12V, 20VA, 50/60 Hz
7	807-0800	Transformer, 120V-24V, 50VA, 50/60 Hz
8	807-0067	Block, 8-pin Terminal
9	810-0045	Bushing, .875-inch
10	806-5332	Cord, Electrical Power
*	900-4508	Control Box Heat Shield
*	900-4510	Control Box Side
*	806-9334	Harness, 12-pin Wiring
*	806-9335	Harness, 9-pin Wiring

* Not illustrated.

7.4 Controller and Component Box Assemblies



ITEM	PART #	COMPONENT
1	824-0396	Control Box (used on FBR18 only)
2	806-3398	Interface Board (used on FBR18 only)
*	809-0394	Spacer, Interface Board Standoff, 4mm x 6mm (used on FBR18 only)
3	810-0045	Bushing, .875-inch (used on FBR18 and FBRA18)
4	806-5303	Controller, Digital (used on FBR18 and FBRA18)
5	806-9414	Control Box Assembly (used on FBRA18 only)
6	806-9592	Interface Board (used on FBRA18 only)
7	807-1683	Relay, 12VDC (used on FBRA18 only)
8	807-0067	Block, 8-pin Terminal
*	807-1241	Spacer, Interface Board Standoff, 5/8-inch (used on FBRA18 only)

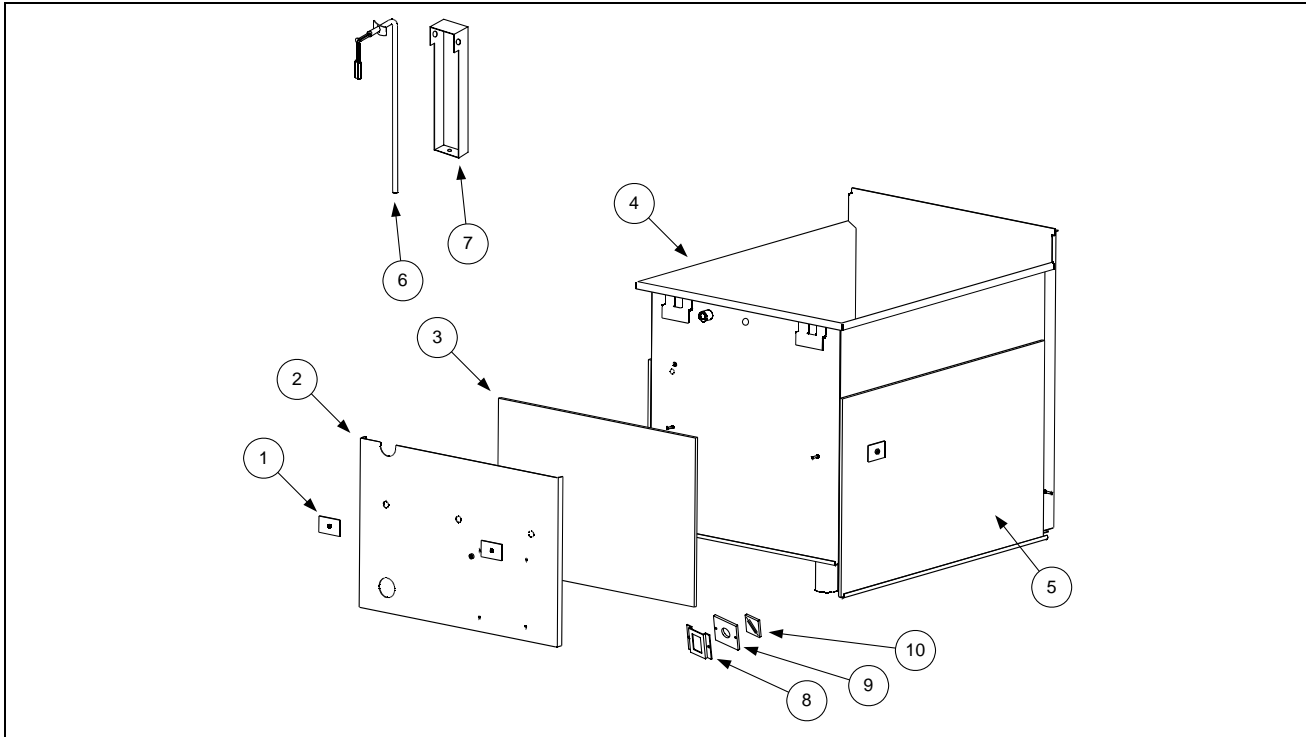
* Not illustrated.

7.5 Cooking Timer Control Panel Components

Error! Not a valid link.

ITEM	PART #	COMPONENT
1	910-4496	Cooking Timer Control Panel
2		Knob Assembly
	810-1287	Black
	806-5339	Gray
	806-5340	Red
	806-5341	Brown
	806-5342	Blue
	806-5343	Green
3	810-0808	Faceplate, Timer Dial
4	810-0807	Timer, Springwound, 60-Minute
5	807-1547	Lamp, Red Lens, 24V Trouble
6	806-5260SP	Frame, Cooking Timer Control Panel

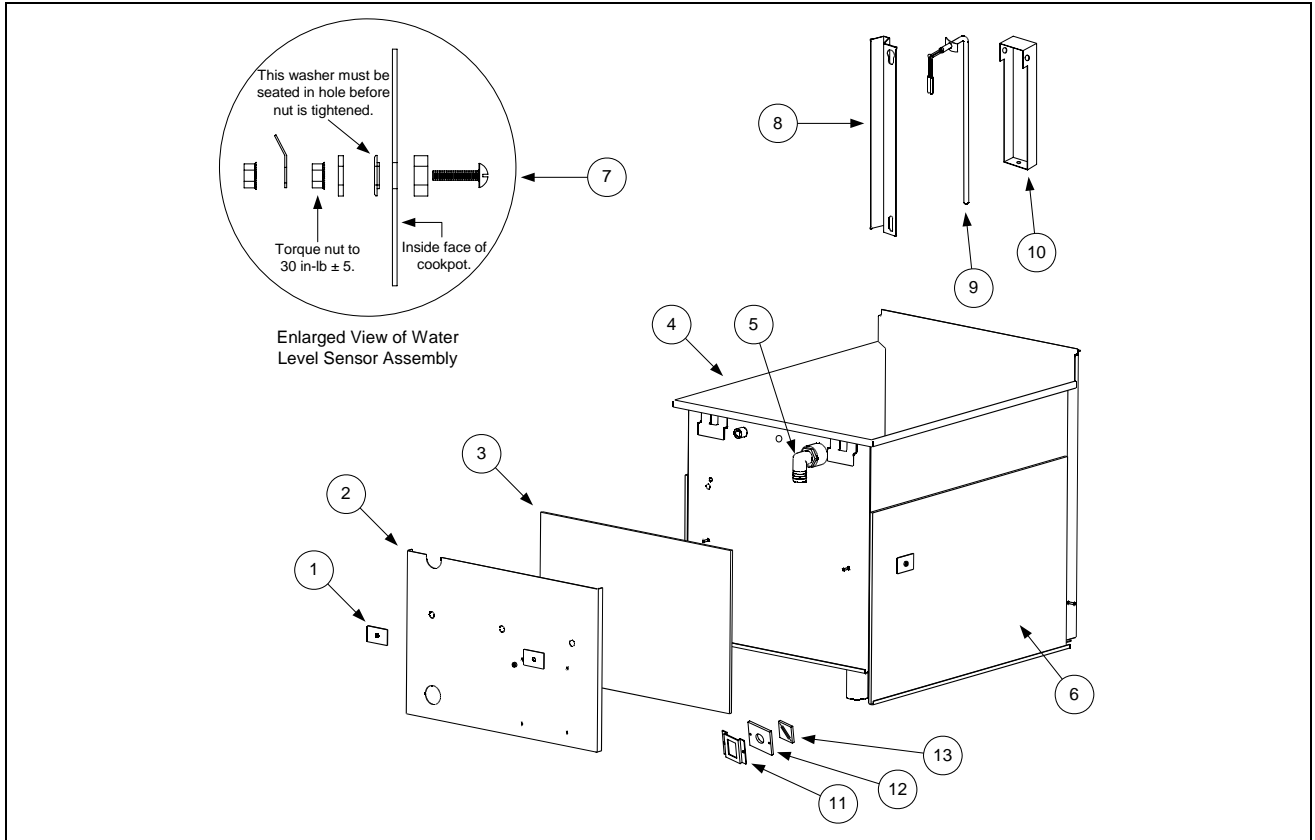
7.6 Cookpot, FBR18



ITEM	PART #	COMPONENT
1	900-1762	Retainer, Insulation
2	900-7431	Cover, Cookpot Front Insulation
3	816-0143	Insulation, Cookpot Front
4	823-1891SP	Cookpot
5	816-0144	Insulation, Cookpot Side
6	806-5251SP	Probe Assembly, Temperature
7	824-0395	Guard, Probe
8	900-1031	Retainer, Sight Glass
9	816-0053	Insulation, Sight Glass
10	814-0048	Sight Glass
*	810-0809	Block, Probe Mounting
*	816-0157	Insulation, Upper Flue, 8.5" x 18.0"
*	816-0158	Insulation, Lower Flue, 10.5" x 19.0"
*	816-0055	Insulation, Burner Support, 1/2" x 17.38"
*	816-0145	Insulation, Bottom Front, 3.0" x 14.5"
*	816-0166	Insulation, Bottom Rear, 3.5" x 17.0"
*	809-0204	Washer, Teflon, 5/8" x 1"

* Not illustrated.

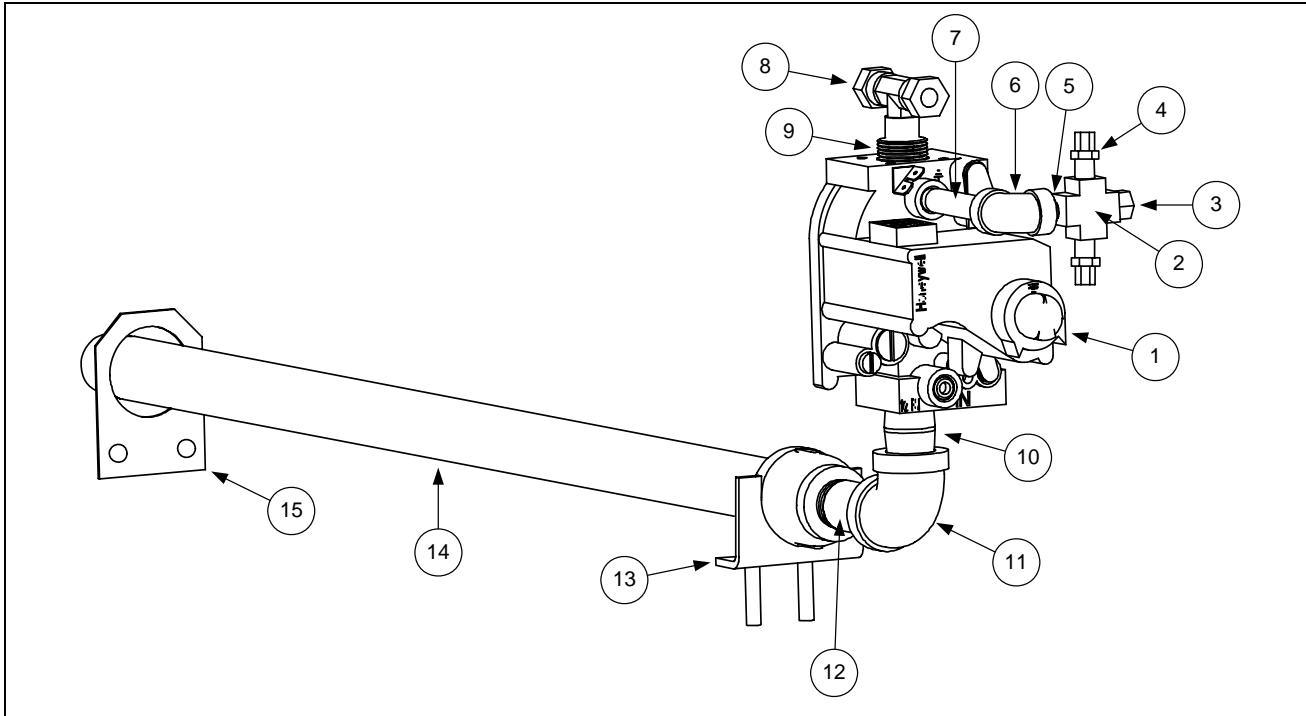
7.7 Cookpot, FBRA18



ITEM	PART #	COMPONENT
1	900-1762	Retainer, Insulation
2	900-7431	Cover, Cookpot Front Insulation
3	816-0143	Insulation, Cookpot Front
4	823-4094SP	Cookpot
5	813-0557	Elbow, Plastic, 1" NPT to 1" Barb
6	816-0144	Insulation, Cookpot Side
7	806-7552SP	Sensor Assembly, Upper or Lower Water Level
8	910-5196	Cover, Water Level Sensors
9	806-5251	Probe Assembly, Temperature
10	824-0395	Guard, Probe
11	900-1031	Retainer, Sight Glass
12	816-0053	Insulation, Sight Glass
13	814-0048	Sight Glass
*	810-0809	Block, Teflon, Probe Mounting
*	816-0157	Insulation, Upper Flue, 8.5" x 18.0"
*	816-0158	Insulation, Lower Flue, 10.5" x 19.0"
*	816-0145	Insulation, Bottom Front, 3.0" x 14.5"
*	816-0166	Insulation, Bottom Rear, 3.5" x 17.0"
*	809-0204	Washer, Teflon, 5/8" x 1"
*	816-0055	Insulation, Burner Support, 1/2" x 17.38"

* Not illustrated.

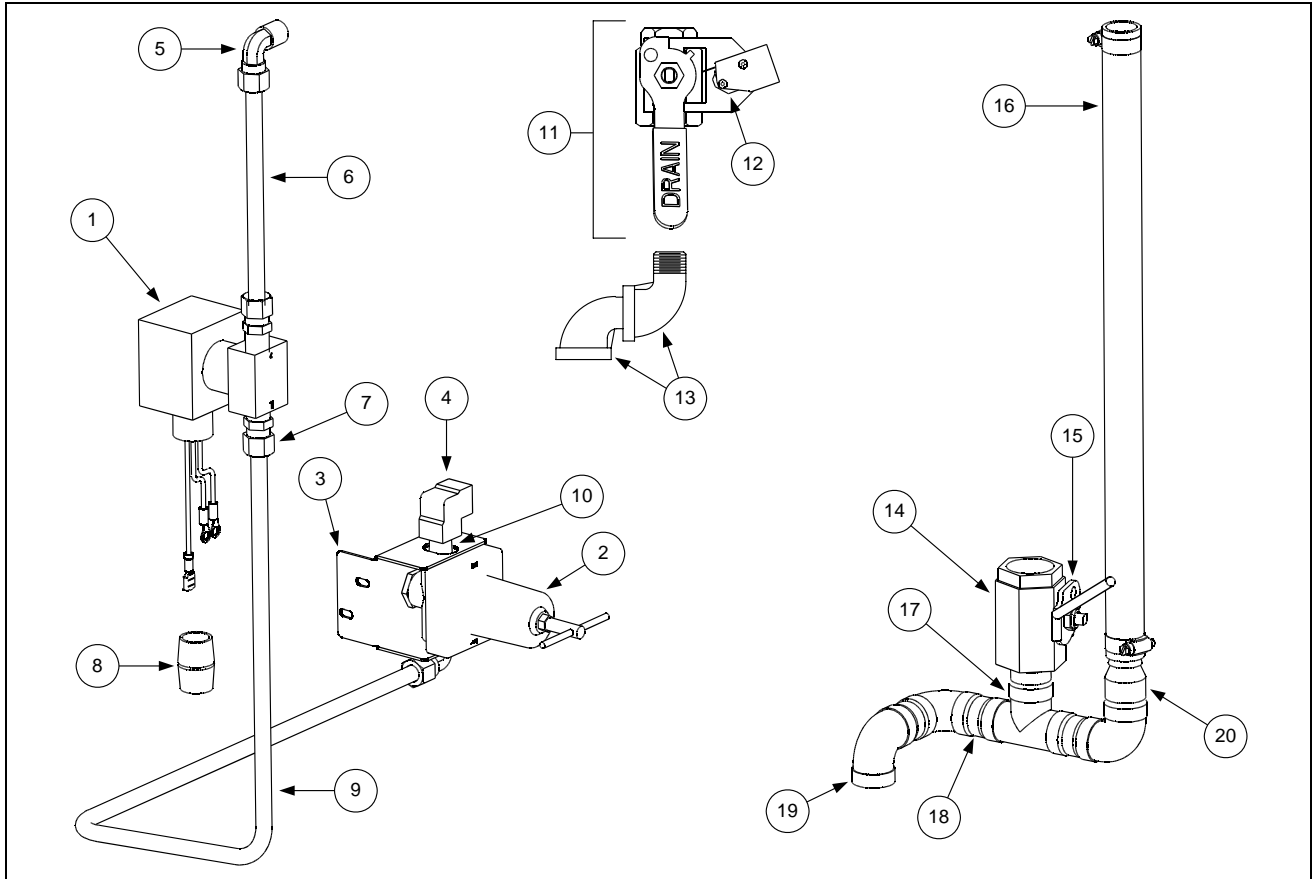
7.8 Gas Supply Components



ITEM	PART #	COMPONENT
1		Gas Valve
	810-0786	Natural Gas
	810-0787	LP (Propane) Gas
2	813-0378	Fitting, Cross, 1/8" NPT, Brass
3	813-0154	Plug, Pipe, 1/8" Hex Head
4	813-0340	Adapter, 1/8" NPT x 1/8" Tube, Brass
5	813-0016	Nipple, 1/8" x 3/4" NPT, BM
6	813-0004	Elbow, 1/8" NPT x 90°, BM
7	813-0433	Nipple, 1/8" NPT x 2 1/2", BM
8	813-0304	Bushing, 1/2" x 1/4" Flush, BM
9	813-0301	Tee, Male, 3/8" x 1/4" NPT x 3/8", Brass
10	813-0022	Nipple, 1/2" NPT Close, BM
11	813-0062	Elbow, 1/2" x 90°, BM
12	813-0265	Nipple, 1/2" NPT x 2 1/2", BM
13	823-2766	Mounting Bracket, Gas Line
14	813-0257	Nipple, 3/4" NPT x 24 1/2", BM
15	823-1893	Bracket, Rear Manifold
*	810-0816	Plug, Honeywell Gas Valve

* Not illustrated.

7.9 Plumbing Components



ITEM	PART #	COMPONENT
1	806-9067	Valve Assembly, Solenoid (FBRA18 only)
2	810-1208	Valve, Water Pressure Regulator (FBRA18 only)
3	900-2916	Bracket, Water Pressure Regulator Valve (FBRA18 only)
4	813-0448	Elbow, Pipe Fitting, Brass, 1/4" (FBRA18 only)
5	813-0302	Elbow, Compression, 1/4" NPT x 3/8" Tubing (FBRA18 only)
6	910-8027	Tubing, SS, Solenoid to Cookpot (FBRA18 only)
7	810-1025	Compression Fitting, Straight, 1/4" (FBRA18 only)
8	813-0022	Nipple, 1/2" x Close, BM NPT (FBRA18 only)
9	910-8026	Tubing, SS, Water Line (FBRA18 only)
10	813-0471	Nipple, 1/4" x 1 1/2" Brass NPT (FBRA18 only)
11	806-8467SP	Valve Assembly, Drain w/Microswitch, Complete (FBR18 only)
12	807-2103	Microswitch (FBR18 and FBRA18)
13	813-0379	Elbow, Street, 1 1/4" BM NPT (FBR18 only)
14	810-1020	Valve, Drain (FBRA18 only)
15	823-2047	Handle, Drain Valve (FBRA18 only)
16	816-0371	Hose, Drain (FBRA18 only)
17	813-0314	Tee, 1" BM NPT (FBRA18 only)
18	813-0138	Nipple, 1" BM NPT (FBRA18 only)
19	813-0202	Elbow, 1" x 90° BM NPT (FBRA18 only)
20	813-0525	Fitting, Barbed, 1" NPT to Hose (FBRA18 only)



Frymaster, L.L.C., 8700 Line Avenue, PO Box 51000, Shreveport, Louisiana 71135-1000
Shipping Address: 8700 Line Avenue, Shreveport, Louisiana 71106

TEL 1-318-865-1711 FAX (Parts) 1-318-219-7140 FAX (Tech Support) 1-318-219-7135

PRINTED IN THE UNITED STATES

SERVICE HOTLINE
1-800-551-8633

Price: \$10.00
819-5278
May 2003