

SEARS
Parts & Repair Services

**REPAIR
PARTS
LIST**

**790.42741402
790.42742401
790.42743401
790.42744401
790.42749401**

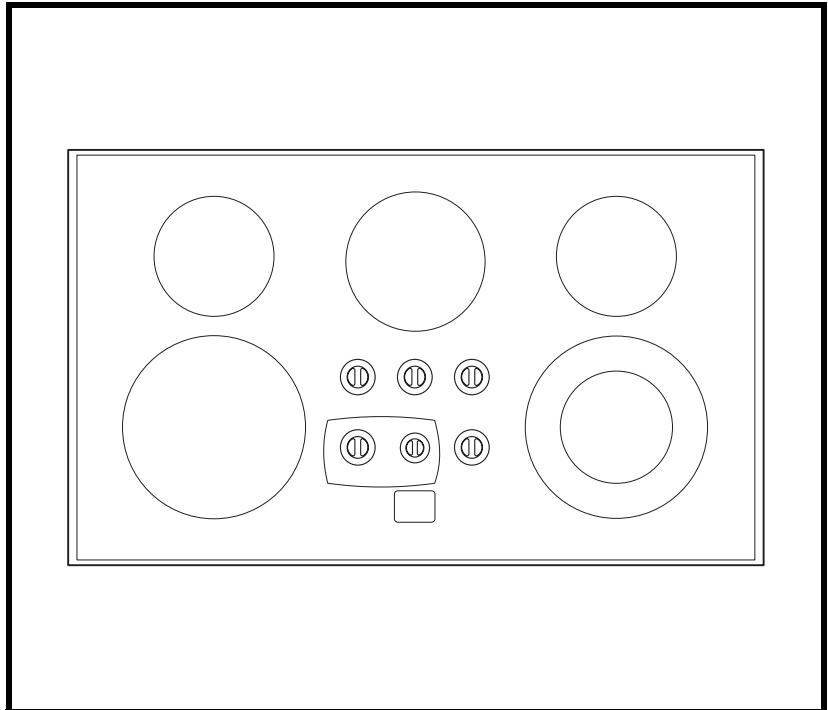
For Parts or Service:

Call

**1-800-4-MY-HOME®
(1-800-469-4663)**

Or Visit

www.sears.com



ELECTRIC COOK-TOP RANGE

In all orders or correspondence, avoid delays and misunderstandings by always giving the complete model number shown

All repair parts listed are available for immediate purchase or special order when you visit your nearest Sears Parts & Repair Center, or the Service Department at most Sears stores. To order parts by phone, call the toll-free number listed to the left or visit sears.com.

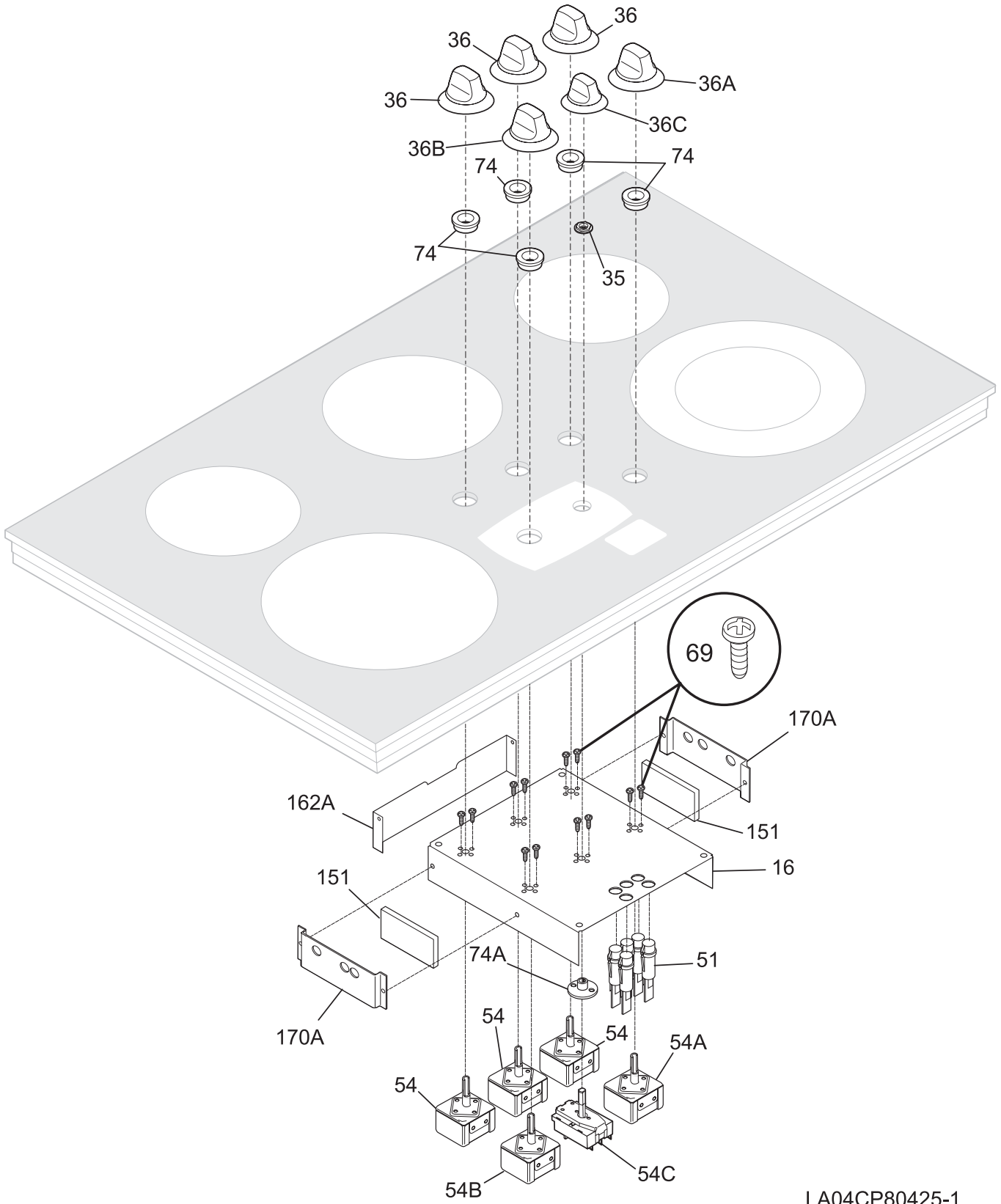
When requesting service or ordering parts, always provide the following information:

- Product Type
- Part Number
- Model Number
- Part Description

**Sears, Roebuck and Co., Hoffman Estates, IL 60179 U.S.A
P/N 318202931 Publication number 5995425575**

CONTROL PANEL

CAUTION: Use the Kenmore part number to order part, not the illustration number.



LA04CP80425-1

CONTROL PANEL

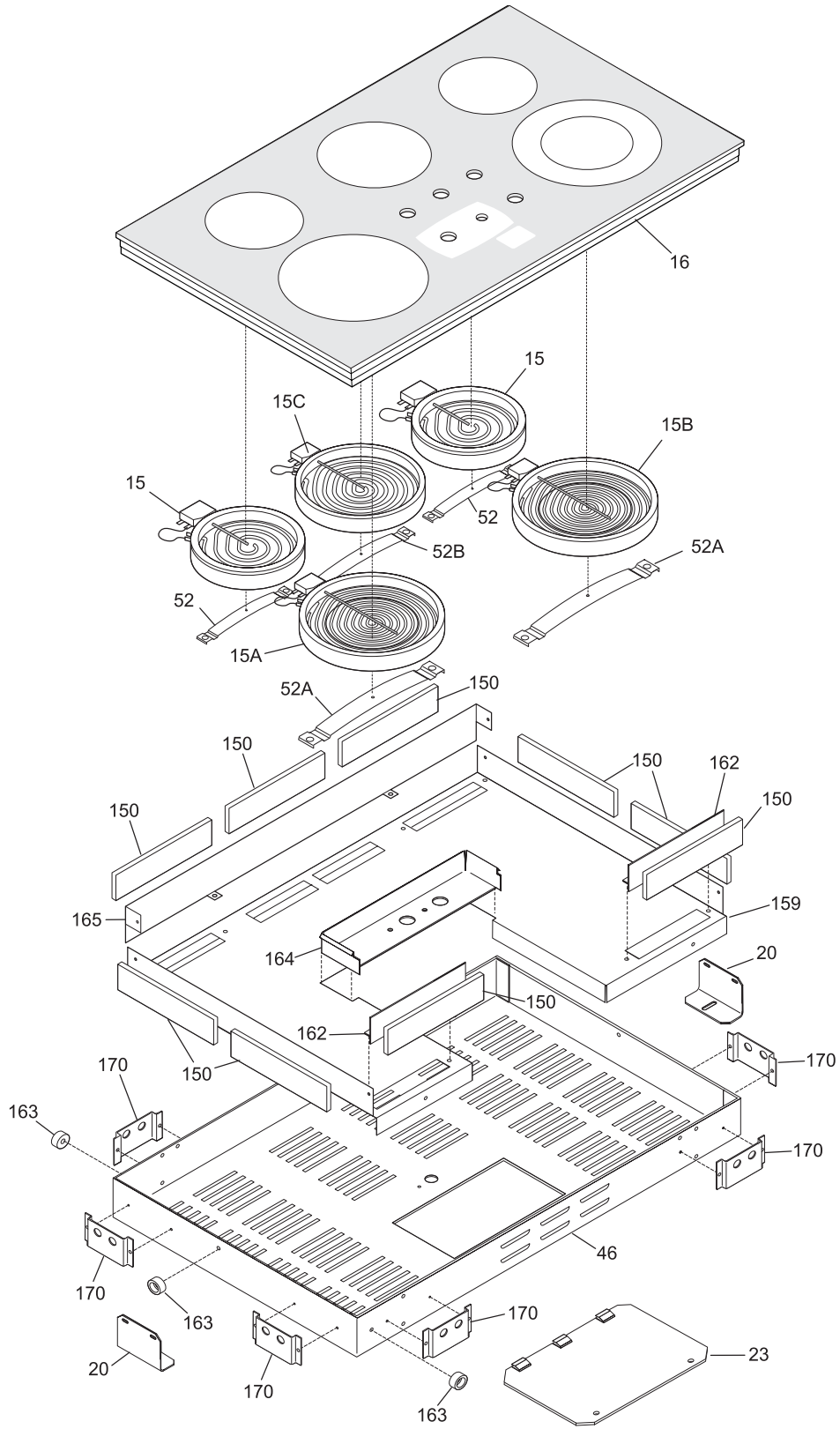
CAUTION: Use the Kenmore part number to order part, not the illustration number.

Model Index: A 790.4274 (790.42741402)
 B 790.4274 (790.42742401)
 C 790.4274 (790.42743401)
 D 790.4274 (790.42744401)
 E 790.4274 (790.42749401)

POS. NO	PART NO.						DESCRIPTION
16	318096331	A	B	C	D	E	Box, instrument mtg
35	5304400795	A	B	C	D	E	Bushing, snap-in, nylon
36	316208112	A	B	-	-	-	Knob, control, white
36	316208113	-	-	C	-	E	Knob, control, black
36	316208114	-	-	-	D	-	Knob, control, bisque
36A	316208115	A	B	-	-	-	Knob, dual control, white
36A	316208116	-	-	C	-	E	Knob, dual control, black
36A	316208117	-	-	-	D	-	Knob, dual control, bisque
36B	318285102	A	B	-	-	-	Knob, control, white, w/simmer
36B	318285100	-	-	C	-	E	Knob, control, black, w/simmer
36B	318285101	-	-	-	D	-	Knob, control, bisque, w/simmer
36C	318229410	A	B	-	-	-	Knob, warmer, white
36C	318229411	-	-	C	-	E	Knob, warmer, black
36C	318229412	-	-	-	D	-	Knob, warmer, bisque
51 #	318044822	A	-	C	-	E	Light, indicator, clear
51 #	318044820	-	B	-	D	-	Light, indicator, red
54 #	318220071	A	B	C	D	E	Switch, surface unit, small
54A#	318191000	A	B	C	D	E	Switch, infinite, dual
54B#	318120505	A	B	C	D	E	Switch, surface unit, small/large
54C#	318282400	A	B	C	D	E	Switch, selector
69	5303323134	A	B	C	D	E	Screw, 8-32 x 0.188
74	318148900	A	B	C	D	E	Bushing, switch
74A	318146010	A	B	C	D	E	Bushing, switch
151	318106036	A	B	C	D	E	Insulation, 2 x 5.75, (5)
162A	318125213	A	B	C	D	E	Deflector
170A	318124911	A	B	C	D	E	Screen, thermal
*	5995425575	A	B	C	D	E	Repair Parts List
*	318200619	A	B	C	D	E	Use & Care Guide
*	318046807	A	B	C	D	E	Wiring Diagram
*	318201416	A	B	C	D	E	Instructions, installation
*	5303323130	A	B	C	D	E	Screw, 8 x 1/4

MAIN TOP/SURFACE UNITS

CAUTION: Use the Kenmore part number to order part, not the illustration number.



LA04CT80425-1A

MAIN TOP/SURFACE UNITS

CAUTION: Use the Kenmore part number to order part, not the illustration number.

Model Index: A 790.4274 (790.42741402)
 B 790.4274 (790.42742401)
 C 790.4274 (790.42743401)
 D 790.4274 (790.42744401)
 E 790.4274 (790.42749401)

POS. NO	PART NO.						DESCRIPTION
15 #	318198817	A	B	C	D	E	Element, surface, small/6", 1200 W
15A#	316277700	A	B	C	D	E	Element, surface, 9", 3000W, radiant
15B#	318198925	A	B	C	D	E	Element, surface, 6/9, 1200/2500W, dual radiant
15C#	318199101	A	B	C	D	E	Element, surface, small/7 inch, 1500 W
16	318282506	A	-	-	-	-	Main Top Assy, glass/steel, black
16	318282500	-	B	-	-	-	Main Top Assy, glass/steel, white
16	318282503	-	-	C	-	-	Main Top Assy, glass/steel, black, w/stnless trim
16	318282501	-	-	-	D	-	Main Top Assy, glass/steel, bisque
16	318282502	-	-	-	-	E	Main Top Assy, glass/steel, black
20	318121902	A	B	C	D	E	Bracket, retainer
*	5303300265	A	B	C	D	E	Screw, 8-18 x 0.500, chrome, (3)
23	318279703	A	B	C	D	E	Panel, service
*	5303307980	A	B	C	D	E	Screw, 8-32 x 0.437
46	318077239	A	B	C	D	E	Burner Box
52	318122006	A	B	C	D	E	Spring, element mtg, small
52A	318122010	A	B	C	D	E	Spring, element mtg, 1000W/2500W
52B	318122004	A	B	C	D	E	Spring, element mtg, 700W & 2100W
150	318106035	A	B	C	D	E	Insulation, 2 x 8, (6)
159	318125125	A	B	C	D	E	Deflector
162	318125212	A	B	C	D	E	Deflector
163	318014110	A	B	C	D	E	Spacer
*	3131048	A	B	C	D	E	Screw, 8 x 5/8
164	318125302	A	B	C	D	E	Plate, connection
165	318161403	A	B	C	D	E	Deflector
170	318124911	A	B	C	D	E	Screen, thermal
* #	318078545	A	B	C	D	E	Box & wires assy
*	318199412	A	B	C	D	E	Harness, wiring
*	316112100	A	B	C	D	E	Cleaner, cooktop
*	316255000	A	B	C	D	E	Sponge, Scotch-Brite
*	316136900	-	-	C	-	-	Cleaner, stainless steel
*	08016432	A	B	C	D	E	Screw, truss head, 8-18 x 0.375
*	5303323130	A	B	C	D	E	Screw, 8 x 1/4
*	5303323140	A	B	C	D	E	Screw, ground, 10-32 x 0.375

WIRING DIAGRAM

MODEL WITH BRIDGE ELEMENT / MODELO Y ELEMENTO RADIANTE SUPERIOR DE PUENTE / MODELE AVEC ELEMENT PONT

MODEL WITH DOUBLE ELEMENT / MODELO Y ELEMENTO DE DOBLE / MODELE AVEC ELEMENT DOUBLE

MODEL WITH REGULAR ELEMENT / MODELO Y ELEMENTO REGULARE / MODELE AVEC ELEMENT REGULIER

MODEL WITH WARMING ELEMENT / MODELO Y ELEMENTO DE CALENTADOR / MODELE AVEC ELEMENT RECHAUD

CODE/CODIGO/	GAUGE/MEDIDA/	TEMP.	STYLE/ESTILO/	UL
CODE	CALIBRE		STYLE SA	
1	18	125	CL1251	3173
2	14	125	CL1251	3173
3	14	125	CL1251	3173
4	12	125	CL1251	3173
5	18	150	EXL-150	3321
6	16	150	EXL-150	3321
7	14	150	EXL-150	3321
8	12	150	EXL-150	3321
9	10	150	EXL-150	3321
10	18	200	SEW-1	3122
11	16	200	SEW-1	3122
*12	18	250		3252
*13	16	250		3252
14	20	150	EXL-150	3321
15	8	150	EXL-150	3321
16	8	60		
17	10	60		

* NOTE USED FOR CANADIANS
* NOTE UTILISE POUR MODELES CANADIENS.

* LIMITER/LIMITADOR/LIMITEUR CERAMASPEED/EIKA

* LIMITER/LIMITADOR/LIMITEUR E.G.O./A.K.O.

LEGEND/LEYENDA/LEGENDE

SW. - SWITCH
INTERRUPTOR
INTERRUPTEUR

P.L. - PILOT LIGHT
LAMPARA PILOTO
LAMPE TEMOIN

R.F. - RIGHT FRONT
FRENTE DERECHO
AVANT DROIT

R.R. - RIGHT REAR
TRASERO DERECHO
ARRIERE DROIT

L.F. - LEFT FRONT
FRENTE IZQUIERDO
AVANT GAUCHE

L.R. - LEFT REAR
TRASERO IZQUIERDO
ARRIERE GAUCHE

R.C. - REAR CENTER
TRASERO CENTRO
ARRIERE CENTRE

L.C. - LEFT CENTER
CENTRO DE IZQUIERDO
CENTRE GAUCHE

H.S. - HOT SURFACE
SUPERFICIE CALIENTE
SURFACE CHAUDE

COLOR CODE/CODIGOS/
CODE COULEUR

BL. - BLUE/AZUL/BLEU
R. - RED/ROJO/ROUGE
Y. - YELLOW/AMARILLO/JAUNE
BK. - BLACK/NEGRO/NOIR
W. - WHITE/BLANCO/BLANC
O. - ORANGE/NARANJA/ORANGE
BR. - BROWN/MORENO/BRUN

LEGENDE/LEYENDA/LEGEND 2
Y-11(13) ON/EN/SUR L.R. POSITION/POSICION/POSITION
W-11(13) ON/EN/SUR R.R. POSITION/POSICION/POSITION
BR-11(13) ON/EN/SUR R.F. POSITION/POSICION/POSITION
O-11(13) ON/EN/SUR L.F. POSITION/POSICION/POSITION

LEGENDE/LEYENDA/LEGEND 3
MODEL WITH 4 PILOT LIGHT/MODELO Y 4 LAMPARA
PILOTO / MODELE AVEC 4 LAMPES TEMOINS
BR-10(12) ON/EN/SUR L.F. POSITION/POSICION/POSITION
BL-10(12) ON/EN/SUR R.R. POSITION/POSICION/POSITION
GY-10(12) ON/EN/SUR R.F. POSITION/POSICION/POSITION
W-10(12) ON/EN/SUR L.R. POSITION/POSICION/POSITION

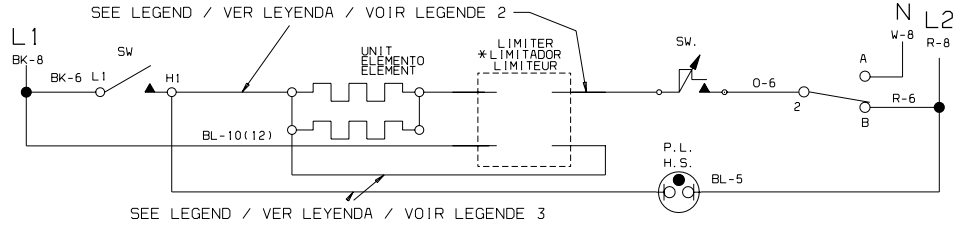
REMARK: FOR CONNECTING THE PLATFORM SEE INSTALLATION SHEET OR USE AND CARE GUIDE
NOTA: PARA CONECTAR LA PARRILLA DE COCINAR, VER LA HOJA DE INSTALACION O EL MANUAL DEL USUARIO.
REMARQUE: POUR BRANCHER LA TABLE DE CUISSON VOIR LE FEUILLET D'INSTALLATION OU LE MANUEL D'UTILISATION ET D'ENTRETIEN.

MODEL WITH 1 PILOT LIGHT/MODELO Y 1 LAMPARA PILOTO/MODELE AVEC 1 LAMPE TEMOIN
J-10(12) ON ALL/TOUTES POSITIONS

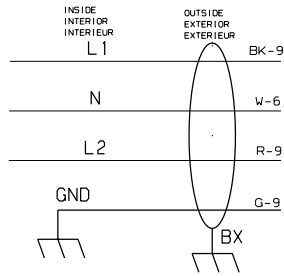
CAUTION: DISCONNECT POWER BEFORE SERVICING UNIT.
ATENCION: DESCONECTE LA ENERGIA ANTES DE REALIZAR EL MANTENIMIENTO DEL ELECTRODOMESTICO.
ATTENTION: COUPER LE COURANT AVANT D'EFFECTUER LA REPARATION

WIRING DIAGRAM

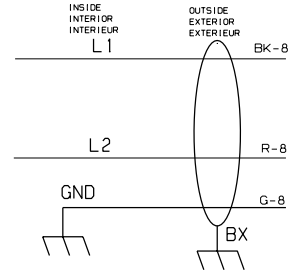
**MODEL WITH REGULAR ELEMENT AND SELECTOR / MODELO Y ELEMENTO Y SELECTOR /
MODELE AVEC ELEMENT REGULIER ET SELECTEUR**



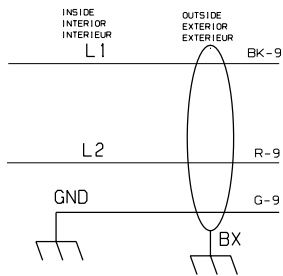
**MODEL WITH WARMER ZONE / MODELO CON ZONA DE CALENTADOR /
MODELE AVEC ZONE RECHAUD**



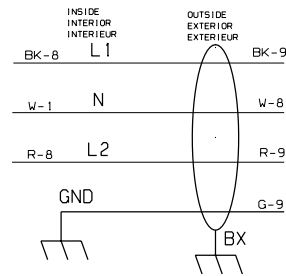
**MODEL WITH 4 REGULAR UNITS / MODELO Y CUATRO ELEMENTOS
REGULARES / MODELE AVEC ELEMENT REGULIER**



MODEL WITH OTHERS / OTROS MODELOS / AUTRE MODELES



**MODEL WITH SIMMER SELECT / LOS MODELOS CON SELECTOR DE HIRVE A
FUEGO LENTO / MODELE AVEC SELECTEUR MIJOTANT**



CAUTION: DISCONNECT POWER BEFORE SERVICING UNIT.
ATENCION: DESCONNECTE LA ENERGIA ANTES DE REALIZAR EL MANTENIMIENTO DEL ELECTRODOMESTICO.
ATTENTION: COUPER LE COURANT AVANT D'EFFECTUER LA REPARATION

318046807 REV. C
P. 2

Get it fixed, at your home or ours!

Your Home

For repair – **in your home** – of **all** major brand appliances, lawn and garden equipment, or heating and cooling systems, **no matter who made it, no matter who sold it!**

For the replacement parts, accessories and owner's manuals that you need to do-it-yourself.

For Sears professional installation of home appliances and items like garage door openers and water heaters.

1-800-4-MY-HOME® (1-800-469-4663)

Call anytime, day or night (U.S.A. and Canada)

www.sears.com www.sears.ca

Our Home

For repair of carry-in items like vacuums, lawn equipment, and electronics, call or go on-line for the location of your nearest **Sears Parts & Repair Center.**

1-800-488-1222

Call anytime, day or night (U.S.A. only)

www.sears.com

To purchase a protection agreement (U.S.A.) or maintenance agreement (Canada) on a product serviced by Sears:

1-800-827-6655 (U.S.A.)

1-800-361-6665 (Canada)

Para pedir servicio de reparación a domicilio, y para ordenar piezas:

1-888-SU-HOGARSM

(1-888-784-6427)

Au Canada pour service en français:

1-800-LE-FOYER^{MC}

(1-800-533-6937)

www.sears.ca

The Sears logo is displayed in a large, bold, black serif font. The word "Sears" is written in a classic, slightly stylized font. Below the word, there is a thin, curved line that underlines the letters, starting from the 'S' and ending under the 's'.

® Registered Trademark / ™ Trademark / SM Service Mark of Sears, Roebuck and Co.

® Marca Registrada / ™ Marca de Fábrica / SM Marca de Servicio de Sears, Roebuck and Co.

^{MC} Marque de commerce / ^{MD} Marque déposée de Sears, Roebuck and Co.

© Sears, Roebuck and Co.