



USER'S MANUAL FOR INDUCTION HOBS

cod. 7321 240, 7322 240

## Dear client,

Thank you for having chosen our induction ceramic hob.

In order to make the best use of your appliance, we would advise you to read carefully the following notes and to keep them for a later consulting.

## SUMMARY

---

<b>SAFETY</b> .....	<b>16</b>
PRECAUTIONS BEFORE USING .....	16
USING THE APPLIANCE .....	16
PRECAUTIONS NOT TO DAMAGE THE APPLIANCE .....	17
PRECAUTIONS IN CASE OF APPLIANCE FAILURE.....	17
OTHER PROTECTIONS .....	17
<b>DESCRIPTION OF THE APPLIANCE</b> .....	<b>18</b>
TECHNICAL DATA .....	18
CONTROL PANEL .....	18
<b>USE</b> .....	<b>18</b>
SENSITIVE TOUCHES .....	18
DISPLAY .....	19
VENTILATION.....	19
<b>STARTING-UP AND APPLIANCE MANAGEMENT</b> .....	<b>19</b>
BEFORE THE FIRST USE.....	19
INDUCTION PRINCIPLE .....	19
STARTING-UP .....	19
PAN DETECTION .....	20
RESIDUAL HEAT INDICATION .....	20
BOOSTER FUNCTION .....	20
TIMER .....	21
CONTROL PANEL LOCKING.....	21
<b>COOKING ADVICES</b> .....	<b>22</b>
PAN QUALITY .....	22
PAN DIMENSION.....	22
EXAMPLES OF POWER SETTING.....	22
<b>WHAT TO DO IN CASE OF A PROBLEM</b> .....	<b>23</b>
<b>MAINTENANCE AND CLEANING</b> .....	<b>24</b>
<b>ENVIRONMENT PROTECTION</b> .....	<b>24</b>
<b>INSTALLATION INSTRUCTIONS</b> .....	<b>25</b>
<b>ELECTRICAL CONNECTION</b> .....	<b>26</b>

# SAFETY

---

## Precautions before using

- Unpack all the materials.
- The installation and connecting of the appliance have to be done by approved specialists. The manufacturer can not be responsible for damage caused by building-in or connecting errors.
- To be used, the appliance must be well-equipped and installed in a kitchen unit and an adapted and approved work surface.
- This domestic appliance is exclusively for the cooking of food, to the exclusion of any other domestic, commercial or industrial use.
- Remove all labels and self-adhesives from the ceramic glass.
- Do not change or alter the appliance.
- The cooking plate can not be used as freestanding or as working surface.
- The appliance must be grounded and connected conforming to local standards.
- Do not use any extension cable to connect it.
- The appliance can not be used above a dishwasher or a tumble-dryer: steam may damage the electronic appliances.

## Using the appliance

- Switch the heating zones off after using.
- Keep an eye on the cooking using grease or oils: that may quickly ignite.
- Be careful not to burn yourself while or after using the appliance.
- Make sure no cable of any fixed or moving appliance contacts with the glass or the hot saucepan.
- Magnetically objects (credit cards, floppy disks, calculators) should not be placed near to the engaged appliance.
- Do not place any metallic object except heating containers. In case of untimely engaging or residual heat, this one may heat, melt or even burn.
- Never cover the appliance with a cloth or a protection sheet. This is supposed to become very hot and catch fire.
- This appliance is not intended for use by persons (including children) with reduced physical, sensory or mental capabilities, or lack of experience and knowledge, unless they have been given supervision or instruction concerning use of the appliance by a person responsible for their safety.
- Children should be supervised to ensure that they do not play with the appliance.
- Metallic objects such as knives, forks, spoons and lids should not be placed on the hob surface since they can get hot.

## Precautions not to damage the appliance

- Raw pan bottoms or damaged saucepans (not enamelled cast iron pots,) may damage the ceramic glass.
- Sand or other abrasive materials may damage ceramic glass.
- Avoid dropping objects, even little ones, on the vitroceramic.
- Make sure that the ventilation of the appliance works according to the manufacturer's instructions.
- Do not hit the edges of the glass with saucepans.
- Do not put or leave empty saucepans on the vitroceramic hobs.
- Sugar, synthetic materials or aluminium sheets must not contact with the heating zones. These may cause breaks or other alterations of the vitroceramic glass by cooling: switch on the appliance and take them immediately out of the hot heating zone (be careful: do not burn yourself).
- Never place any hot container over the control panel.
- If a drawer is situated under the embedded appliance, make sure the space between the content of the drawer and the inferior part of the appliance is large enough (2cm). This is essential to guaranty a correct ventilation.
- Never put any inflammable object (ex. sprays) into the drawer situated under the vitroceramic hob. The eventual cutlery drawers must be resistant to heat.

## Precautions in case of appliance failure

- If a defect is noticed, switch on the appliance and turn off the electrical supplying.
- If the ceramic glass is cracked or fissured, you must unplug the appliance and contact the after sales service.
- Repairing has to be done by specialists. Do not open the appliance by yourself.
- **WARNING:** If the surface is cracked, switch off the appliance to avoid the possibility of electric shock.

## Other protections

- Note sure that the container pan is always centred on the cooking zone. The bottom of the pan must have to cover as much as possible the cooking zone.
- For the users of pacemaker, the magnetic field could influence its operating. We recommend getting information to the retailer or of the doctor.
- Do not to use aluminium or synthetic material containers: they could melt on still hot cooking zones.



**DO NOT USE INTERMEDIATE REMOVABLE ACCESSORIES TO HEAT PANS WHICH ARE NOT ADAPTED TO INDUCTION. RISKS OF BURNS AND DETERIORATION OF THE HOB.**



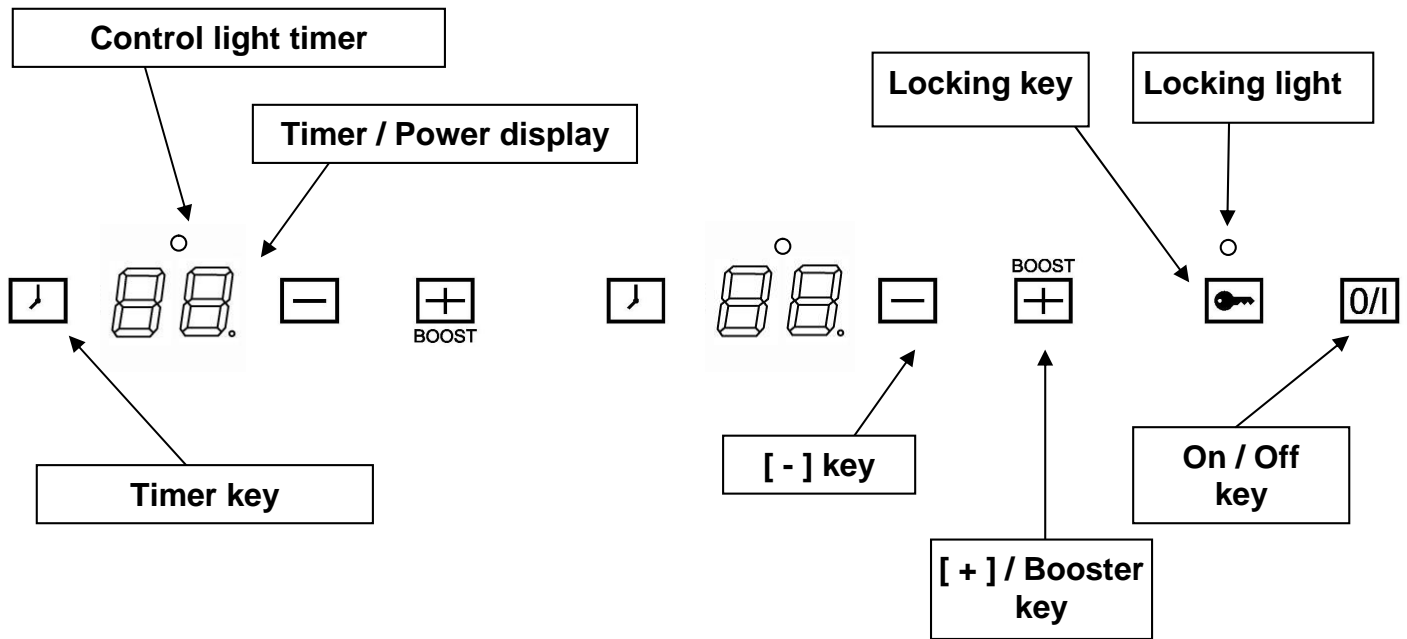
# DESCRIPTION OF THE APPLIANCE

## Technical data

Type	Total Power	Position	Nominal Power*	Booster Power*	Diameter
<b>7321240</b>	3000W	Front	2300W	3000W	250 mm
<b>7322240</b>	3400W	Front left Rear right	1200W 2300W	1400W 3000W	160 mm 200 mm

\* The given power may change according to the dimensions and material of the pan.

## Control panel



## USE

### Sensitive touches

Your ceramic hob is equipped with electronic controls with sensitive touch keys. When your finger touches the key, the corresponding command is activated. This activation is validated by a control light, a letter or a number in the display and/or a “beep” sound.

Touch only one key on the same time.

## Display

<u>Display</u>	<u>Designation</u>	<u>Function</u>
0	Zero	The heating zone is activated
1...9	Power level	Selection of the cooking level
<u>U</u>	Pan Detection	No pan or inadequate pan
E	Error message	Electronic failure
H	Residual heat	The heating zone is hot
P	Booster	The boosted power is activated

## Ventilation

The cooling system is fully automatic. The cooling fan starts with a low speed when the calories brought out by the electronic system reach a certain level. The ventilation starts his high speed when the hob is intensively used. The cooling fan reduces his speed and stops automatically when the electronic circuit is cooled enough.

# STARTING-UP AND APPLIANCE MANAGEMENT

---

## Before the first use

Clean your hob with a damp cloth, and then dry the surface thoroughly. Do not use detergent which risks causing blue-tinted colour on the glass surface.

## Induction principle

An induction coil is located under each heating zone. When it is engaged, it produces a variable electromagnetic field which produces inductive currents in the ferromagnetic bottom plate of the pan. The result is a heating-up of the pan located on the heating zone.

Of course the pan has to be adapted:

- All ferromagnetic pans are recommended (please verify it thanks a little magnet): cast iron and steel pans, enamelled pans, stainless-steel pans with ferromagnetic bottoms...
- Are excluded: copper, pure stainless-steel, aluminium, glass, wood, ceramic, stoneware...

The induction heating zone adapts automatically the size of the pan. With a too small diameter the pan doesn't work. This diameter is varying in function of the heating zone diameter. If the pan is not adapted to the induction hob the display will show [ U ].

## Starting-up

You must first start-up the hob, then the heating zone :

- **Start-up/ switch off the hob :**

<u>Action</u>	<u>Control panel</u>	<u>Display</u>
To start	Press key [ 0/I ]	2 x [ 0 ]
To stop	Press key [ 0/I ]	nothing or [ H ]

- **Start-up/ switch off the heating zone :**

<u>Action</u>	<u>Control panel</u>	<u>Display</u>
Increase power	Press key [ + ]	[ 4 ] to [ 9 ]
Decrease power	Press key [ - ]	[ 9 ] to [ 1 ]
Stop	Press simultaneous [ + ] and [ - ] or press [ - ]	[ 0 ] or [ H ] [ 0 ] or [ H ]

If no setting are made in 20 seconds the hob return in waiting position.

## **Pan detection**

The pan detection ensures a perfect safety.

The induction doesn't work:

- If there is no pan on the heating zone or if this pan is not adapted to the induction. In this case it is impossible to increase the power and the display shows [ U ]. This symbol disappears when a pan is put on the heating zone.
- If the pan is removed from the heating zone the operation is stopped. The display shows [ U ]. The symbol [ U ] disappears when the pan is put back to the heating zone. The cooking continues with the power level chosen before.

## **Residual heat indication**

After the switch-off of the hob, the heating zone is still hot and indicates [ H ] on the display.

The symbol [ H ] disappears when the heating zone may be touched without danger.

As far as the residual heat indicator is on light, don't touch the heating zone and don't put any heat sensitive object on them. There are risks of burn and fire.

## **Booster function**

The booster function [ P ] grants a boost of power to the selected heating zone.

If this function is activated the heating zones works during 10 minutes with an ultra high power.

The booster is foreseen for example to heat up rapidly big quantities of water, like nuddles cooking.

- **Start up / Stop the booster function :**

<u>Action</u>	<u>Control panel</u>	<u>Display</u>
Increase power	Press key [ + ] or [ - ]	[ 1 ] to [ 9 ]
Start up the booster	Press key [ + ]	[ P ] during 10 min.
Stop the booster	Press key [ - ]	[ 9 ]

- **Power management :**

The whole cooking hob is equipped by a maximum of power. When the booster function isactivated, and not to exceed the maximum power, the electronic system orders to reduce automatically the power level of an other heating zone. The display is blinking on [ 9 ] during a few seconds and then shows the maximum of power allowed ( [ 6 ] or [ 8 ] ).

Heating zone selected

[ P ] is displayed

The other heating zone: (example: power level 9)

[ 9 ] goes to [ 7 ] or [ 8 ] depending the type of zone

## Timer

The timer is able to be used simultaneous with all 2 heating zones and this with different time settings (from 0 to 99 minutes) for each heating zone.

- **Setting and modification of the cooking time**

<b><u>Action</u></b>	<b><u>Control panel</u></b>	<b><u>Display</u></b>
To select the heating zone	Press key [ + ] or [ - ]	[ 4 ] or [ 9 ]
To select the power level	Press key [ + ] or [ - ]	[ 1 ] ... [ 9 ]
To select « Timer »	Press key [ T ]	[ 00 ] minutes
Decrease the time	Press key [ - ]	[ 30 ] to 29,28,27,...
Increase the time	Press key [ + ]	The time increases...

After a few seconds the control light stops with blinking.  
The time is confirmed and the cooking starts.

- **To stop the cooking time**

<b><u>Action</u></b>	<b><u>Control panel</u></b>	<b><u>Display</u></b>
To select « Timer »	Press key [ T ]	The remaining time
To stop the « Timer »	Press key [ - ] then [ T ]	Displays [ 00 ] then stops

If they are several timer activated you must repeat this operation.

- **Automatic stop at the end of the cooking time**

As soon as the selected cooking time is finished the timer displays blinking [ 00 ] and a sound rings and the heating zone stops.

To stop the sound and the blinking it is enough to press key [ T ].

- **Egg timer function**

<b><u>Action</u></b>	<b><u>Control panel</u></b>	<b><u>Display</u></b>
Activate the hob	Press key [ 0/I ]	The zone control lights are on
To select « Timer »	Press key [ T ]	[ 00 ] minutes
Decrease the time	Press key [ - ]	[ 30 ] to 29,28,27,...
Increase the time	Press key [ + ]	The time increases...

After a few seconds the control light stops with blinking and the timer starts.

- **To stop the egg timer function**

<b><u>Action</u></b>	<b><u>Control panel</u></b>	<b><u>Display</u></b>
Activate the hob	Press key [ 0/I ]	Timer light blinking
To stop the « Timer »	Press key [ - ] then [ T ]	Displays [ 00 ] then stops

## Control panel locking

To avoid modifying a setting of cooking zones , in particular with within the framework of cleaning the control panel can be locked (with exception to the On/Off key [ 0/I ]).

- **Locking**

<b><u>Action</u></b>	<b><u>Control panel</u></b>	<b><u>Display</u></b>
Start	Press key [ 0/I ]	[ 0 ] or [ H ] on displays
Hob locking	Press key [ L ]	[ 0 ] or [ H ] on displays Locking light is on

- **Unlocking**

<b><u>Action</u></b>	<b><u>Control panel</u></b>	<b><u>Display</u></b>
Start	Press key [ 0/I ]	[ 0 ] on displays
Unlocking the hob	Press key [ L ]	[ 0 ] on displays Locking light is off



# COOKING ADVICES

---

## Pan quality

**Adapted materials** : steel, enamelled steel, cast iron, ferromagnetic stainless-steel, aluminium with ferromagnetic bottom.

**Not adapted materials** : aluminium and stainless-steel without ferromagnetic bottom, copper, brass, glass, ceramic, porcelain.

The manufacturers specify if their products are compatible induction.

To check if pans are compatibles:

- Put a littler water in a pan placed on an induction heating zone set at level [ 9 ]. This water must heat in a few seconds.
- A magnet stuck on the bottom of the pan.

Some pans can make noise when they are placed on an induction cooking zone. This noise doesn't mean any failure on the appliance and doesn't influence the cooking operating.

## Pan dimension

The cooking zones are, until a certain limit, automatically adapted to the diameter of the pan. However the bottom of this pan must have a minimum of diameter according to the corresponding cooking zone.

To obtain the best efficiency of your hob, please place the pan well in the center of the cooking zone.

## Examples of power setting

(The values below are indicative)

1 to 2	Melting Reheating	Sauces, butter, chocolate, gelatine Dishes prepared beforehand
2 to 3	Simmering Defrosting	Rice, pudding, sugar syrop Dried vegetables, fish, frozen products
3 to 4	Steam	Vegetables, fish, meat
4 to 5	Water	Steamed potatoes, soups, pasta, fresh vegetables
6 to 7	Medium cooking Simmering	Meat, lever, eggs, sausages Goulash, roulade, tripe
7 to 8	Cooking	Potatoes, fritters, wafers
9	Frying, roasting Boiling water	Steaks, omelettes, fried dishes Water
P	Boiling water	Boiling significant quantities of water

# WHAT TO DO IN CASE OF A PROBLEM

## The symbol [ E 4 ] displays :

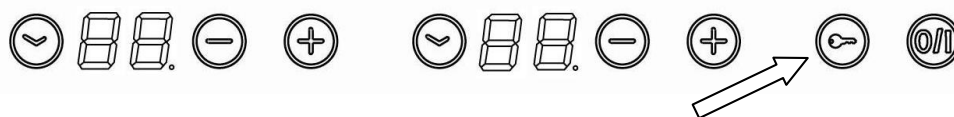
- The hob must be configured according to the following procedure.
  - I) Warning : before starting all pots must be removed from the cooktop.
  - II) Disconnect the cooktop from the main supply : remove fuse or disconnect circuit breaker.
  - III) Connect the cooktop to the main supply : replace the fuse or connect the circuit breaker.
  - IV) Procedure : You must provide yourself with a ferromagnetic bottom container 16 cm minimum diametre.

\* start within 2 minutes after the connection to the main supply

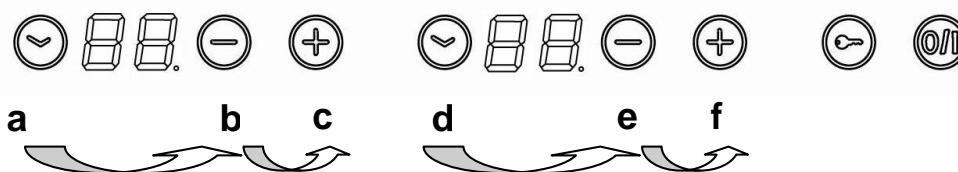
\* do not use the [ O/I ] key.

### V) How to cancel the existing configuration :

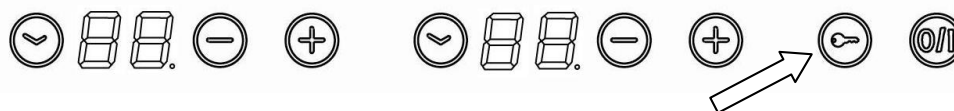
- 1) Push on the locking key and keep your finger on the key



- 2) With a finger from the other hand activate successively and quickly **a - b - c (7322240)** or **d - e - f (7321240)** keys. Start from left to right. A double "beep" sound will inform you of a bad manipulation and you will have to restart from point 1.



- 3) The left display shows alternatively a [ C ] and a [ 0 ]



- 4) Press the key lock until both displays indicate either [ C ] or [ - ].
- 5) Take your fingers away from the keys and press again the [ - ] key during a few seconds until some [ E ] appear.
- 6) You will hear a "beep" sound and the [ E ] will blink.
- 7) The [ E ] are automatically transformed into [ C ] → The configuration has been canceled.

### VI) How to configure the hob ?

- 1) Use a suitable induction pot with a minimum diametre size of 16cm.
  - 2) Select the heating zone by pushing the corresponding [ + ] key.
  - 3) Put the pot on the corresponding heating zone.
  - 4) Wait until [ C ] converts to [ - ]. The zone is configured
  - 5) Use the same procedure for each other heating zone which displays [ C ]
  - 6) The configuration is made if all zones are detected and if nothing is displayed Use only 1 pot to configure the hob.
- Never put two or more pots on the heating zones during the configuration.

- If [ E 4 ] display persists call the After-sales Service

## The hob or the cooking zone doesn't start-up

- The hob is badly connected on the electrical network.
- The protection fuse cut-off
- The locking function is activated
- The sensitive keys are covered of grease or water.
- An object is put on a key.

### **The symbol [ U ] displays**

- There is no pan on the cooking zone.
- The pan is not compatible with induction.
- The bottom diameter of the pan is too small.

### **The symbol [ C ] or [ E ] displays**

- Call the After-sales Service.

### **One or all cooking zones cut-off**

- The safety system functioned
- You forgot to cut-off the cooking zone for a long time.
- One or more sensitive keys are covered.
- The pan is empty and its bottom overheated.
- The hob also has an automatic reduction of power level and breaking Automatic overheating

### **Continuous ventilation after cutting-off the hob**

- This is not a failure, the fan continuous to protect the electronic device.
- The fan cooling stops automatically.

## **MAINTENANCE AND CLEANING**

---

Switch-off the appliance before cleaning.

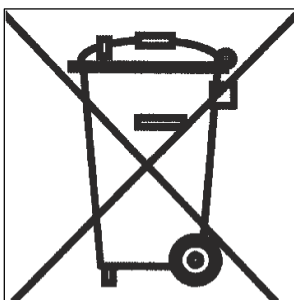
Do not clean the hob if the glass is too hot: risk of burn.

- Remove light marks with a damp cloth with washing up liquid diluted in a little water. Then rinse with cold water and dry the surface thoroughly.
- Highly corrosive or abrasive detergents and cleaning equipment likely to cause scratches must be absolutely avoided.
- Do not ever use any steam-driven or pressure appliance.
- Do not use any object that may scratch the ceramic glass.
- Ensure that the pan is dry and clean. Ensure that there are no grains of dust on your ceramic hob or on the pan. Sliding rough saucepans will scratch the surface.
- Spillages of sugar, jam, jelly, etc. must be removed immediately. You will thus prevent the surface being damaged.

## **ENVIRONMENT PROTECTION**

---

- The packaging material is ecological and can be recycled.
- The worn appliances contain certain noble metals. Apply to the local government about the possibilities of recycling.



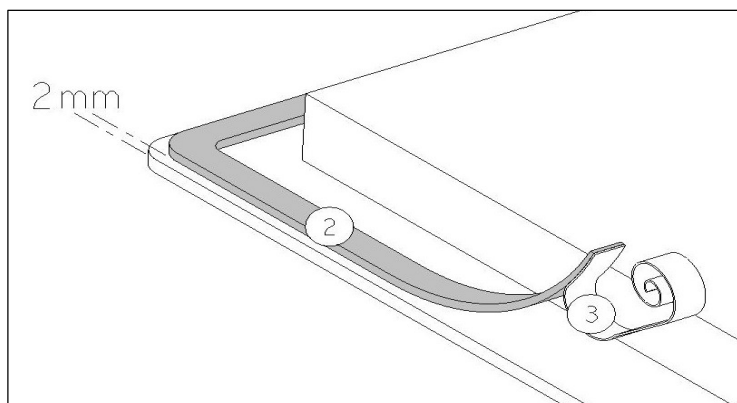
- Don't throw your appliance with the household refuses
- Get in touch with the waste collection center of your commune that is adapted to the recycling of the household appliances.

# INSTALLATION INSTRUCTIONS

The installation comes under the exclusive responsibility of specialists.  
The installer is held to respect the legislation and the standards enforce in his home country.

## How to stick the gasket

The gasket supplied with the hob avoids all infiltration of liquids in the cabinet.  
His installation has to be done carefully, in conformity of the following drawing.



Stick the gasket (2) two millimeters from the external edge of the glass, after removing the protection sheet (3).

## Fitting – installing

- The cut out sizes are :

Appliance	Cut out
7321240	360 x 490 mm
7322240	360 x 490 mm

- Ensure that there is a distance of 50 mm between the hob and the wall or sides.
- The hobs are classified as “Y” class for heat protection. Ideally the hob should be installed with plenty of space on either side. There may be a wall at the rear and tall units or a wall at one side. **On the other side, however, no unit or divider must stand higher than the hob.**
- The piece of furniture or the support in which the hob is to be fitted, as well as the edges of furniture, the laminate coatings and the glue used to fix them, must be able to resist temperatures of up to 100 °C.
- The mural rods of edge must be heat-resisting.
- Materials which are often used to make worktops expand on contact with water. To protect the cut out edge, apply a coat of varnish or special sealant. Particular care must be given to applying the adhesive joint supplied with the hob to prevent any leakage into the supporting furniture. This gasket guaranties a correct seal when used in conjunction with smooth work top surfaces.
- Not to install the hob to the top of a not ventilated oven or a dishwasher.
- To guarantee under the bottom of the hob casing a space of 20 mm to ensure a good air circulation of the electronic device.
- If a drawer is placed under the work, avoid to put into this drawer flammable objects (for example: sprays) or not heat-resistant objects.
- The safety gap between the hob and the cooker hood placed above must respect the indications of the hood manufacturer. In case of absence of instructions respect a distance minimum of 760 mm.
- The connection cord should be subjected, after building, with no mechanical constraint, such for example of the fact of the drawer.

# ELECTRICAL CONNECTION

- The installation of this appliance and the connection to the electrical network should be entrusted only to an electrician perfectly to the fact of the normative regulations and which respects them scrupulously.
- Protection against the parts under tension must be ensured after the building-in.
- The data of connection necessary are on the stickers place on the hob casing near the connection box.
- The connection to the main must be made using an earthed plug or via an omnipolar circuit breaking device with a contact opening of at least 3 mm.
- The electrical circuit must be separated from the network by adapted devices, for example: circuit breakers, fuses or contactors.

## Caution !

This appliance has only to be connected to a network 230 V~ 50/60 Hz

Connect always the earth wire.

Respect the connection diagram.

Use the connecting cable that is attached to the device.

The green / yellow wire correspond to the earth wire, the blue wire correspond neutral wire and the brown wire correspond to the phase.

Mains	Connection	Cable diameter	Cable	Protection calibre
230V~ 50/60Hz	1 Phase + N	3 x 1,5 mm <sup>2</sup>	H 05 VV - F H 05 RR - F	16 A *

\* calculated with the simultaneous factor following standard EN 60 335-2-6/1990

**Caution! Ensure that you correctly attach the wires and the bridges and tighten the screws properly.**

**We cannot be held responsible for any incident resulting from incorrect connection or which could arise from the use of an appliance which has not been earthed or has been equipped with a faulty earth connection.**

**Foster spa**

42041 Brescello (RE) - Italy

tel. +39.0522.687425 - tel. Servizio Assistenza +39.0522.684450

fax +39.0522.686019 - fax Servizio Ricambi +39.0522.962166

e-mail: [service@fosterspa.com](mailto:service@fosterspa.com)

[www.fosterspa.com](http://www.fosterspa.com)