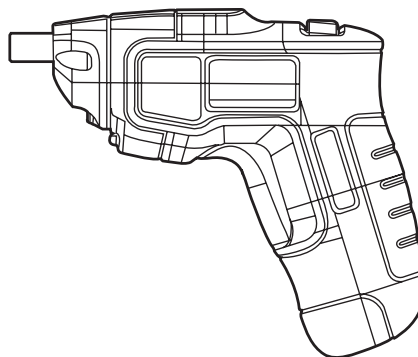


 **BLACK & DECKER®**

LITHIUM-ION SCREWDRIVER

INSTRUCTION MANUAL

Catalog Number LI3100



**Thank you for choosing Black & Decker!
Go to www.BlackandDecker.com/NewOwner
to register your new product.**

**PLEASE READ BEFORE RETURNING THIS
PRODUCT FOR ANY REASON:**

If you have a question or experience a problem with your Black & Decker purchase, go to
[HTTP://WWW.BLACKANDDECKER.COM/INSTANTANSWERS](http://WWW.BLACKANDDECKER.COM/INSTANTANSWERS)
for instant answers 24 hours a day.

If you can't find the answer or do not have access to the internet,
call 1-800-544-6986 from 8 a.m. to 5 p.m. EST Mon. -- Fri. to speak with an agent.
Please have the catalog number available when you call.

SAVE THIS INSTRUCTION MANUAL FOR FUTURE REFERENCE.

VEA EL ESPAÑOL EN LA CONTRAPORTADA.

**INSTRUCTIVO DE OPERACIÓN, CENTROS DE SERVICIO Y PÓLIZA DE GARANTÍA.
ADVERTENCIA: LÉASE ESTE INSTRUCTIVO ANTES DE USAR EL PRODUCTO.**

General Power Tool Safety Warnings

⚠WARNING! Read all safety warnings and instructions. Failure to follow the warnings and instructions may result in electric shock, fire and/or serious injury.

Save all warnings and instructions for future reference.

The term “power tool” in the warnings refers to your mains-operated (corded) power tool or battery-operated (cordless) power tool.

1) Work area safety

- a) **Keep work area clean and well lit.** *Cluttered or dark areas invite accidents.*
- b) **Do not operate power tools in explosive atmospheres, such as in the presence of flammable liquids, gases or dust.** *Power tools create sparks which may ignite the dust or fumes.*
- c) **Keep children and bystanders away while operating a power tool.** *Distractions can cause you to lose control.*

2) Electrical safety

- a) **Power tool plugs must match the outlet. Never modify the plug in any way. Do not use any adapter plugs with earthed (grounded) power tools.** *Unmodified plugs and matching outlets will reduce risk of electric shock.*
- b) **Avoid body contact with earthed or grounded surfaces such as pipes, radiators, ranges and refrigerators.** *There is an increased risk of electric shock if your body is earthed or grounded.*
- c) **Do not expose power tools to rain or wet conditions.** *Water entering a power tool will increase the risk of electric shock.*
- d) **Do not abuse the cord. Never use the cord for carrying, pulling or unplugging the power tool. Keep cord away from heat, oil, sharp edges or moving parts.** *Damaged or entangled cords increase the risk of electric shock.*
- e) **When operating a power tool outdoors, use an extension cord suitable for outdoor use.** *Use of a cord suitable for outdoor use reduces the risk of electric shock.*
- f) **If operating a power tool in a damp location is unavoidable, use a ground fault circuit interrupter (GFCI) protected supply.** *Use of a GFCI reduces the risk of electric shock.*

3) Personal safety

- a) **Stay alert, watch what you are doing and use common sense when operating a power tool. Do not use a power tool while you are tired or under the influence of drugs, alcohol or medication.** *A moment of inattention while operating power tools may result in serious personal injury.*
- b) **Use personal protective equipment. Always wear eye protection.** *Protective equipment such as dust mask, non-skid safety shoes, hard hat, or hearing protection used for appropriate conditions will reduce personal injuries.*
- c) **Prevent unintentional starting. Ensure the switch is in the off-position before connecting to power source and/or battery pack, picking up or carrying the tool.** *Carrying power tools with your finger on the switch or energising power tools that have the switch on invites accidents.*
- d) **Remove any adjusting key or wrench before turning the power tool on.** *A wrench or a key left attached to a rotating part of the power tool may result in personal injury.*
- e) **Do not overreach. Keep proper footing and balance at all times.** *This enables better control of the power tool in unexpected situations.*
- f) **Dress properly. Do not wear loose clothing or jewellery. Keep your hair, clothing and gloves away from moving parts.** *Loose clothes, jewellery or long hair can be caught in moving parts.*
- g) **If devices are provided for the connection of dust extraction and collection facilities, ensure these are connected and properly used.** *Use of dust collection can reduce dust-related hazards.*

4) Power tool use and care

- a) **Do not force the power tool. Use the correct power tool for your application.** *The correct power tool will do the job better and safer at the rate for which it was designed.*

- b) **Do not use the power tool if the switch does not turn it on and off.** *Any power tool that cannot be controlled with the switch is dangerous and must be repaired.*
 - c) **Disconnect the plug from the power source and/or the battery pack from the power tool before making any adjustments, changing accessories, or storing power tools.** *Such preventive safety measures reduce the risk of starting the power tool accidentally.*
 - d) **Store idle power tools out of the reach of children and do not allow persons unfamiliar with the power tool or these instructions to operate the power tool.** *Power tools are dangerous in the hands of untrained users.*
 - e) **Maintain power tools. Check for misalignment or binding of moving parts, breakage of parts and any other condition that may affect the power tool's operation. If damaged, have the power tool repaired before use.** *Many accidents are caused by poorly maintained power tools.*
 - f) **Keep cutting tools sharp and clean.** *Properly maintained cutting tools with sharp cutting edges are less likely to bind and are easier to control.*
 - g) **Use the power tool, accessories and tool bits etc., in accordance with these instructions, taking into account the working conditions and the work to be performed.** *Use of the power tool for operations different from those intended could result in a hazardous situation.*
- 5) **Battery tool use and care**
- a) **Recharge only with the charger specified by the manufacturer.** *A charger that is suitable for one type of battery pack may create a risk of fire when used with another battery pack.*
 - b) **Use power tools only with specifically designated battery packs.** *Use of any other battery packs may create a risk of injury and fire.*
 - c) **When battery pack is not in use, keep it away from other metal objects like paper clips, coins, keys, nails, screws, or other small metal objects that can make a connection from one terminal to another.** *Shorting the battery terminals together may cause burns or a fire.*
 - d) **Under abusive conditions, liquid may be ejected from the battery, avoid contact. If contact accidentally occurs, flush with water. If liquid contacts eyes, additionally seek medical help.** *Liquid ejected from the battery may cause irritation or burns.*
- 6) **Service**
- a) **Have your power tool serviced by a qualified repair person using only identical replacement parts.** *This will ensure that the safety of the power tool is maintained.*

SPECIFIC SAFETY RULES

- **Hold power tools by insulated gripping surfaces when performing an operation where the cutting tool may contact hidden wiring or its own cord.** *Contact with a "live" wire will make exposed metal parts of the tool "live" and shock the operator.*
- **Use clamps or another practical way to secure and support the workpiece to a stable platform.** *Holding the work by hand or against your body leaves it unstable and may lead to loss of control.*
- ⚠ **WARNING: Some dust created by power sanding, sawing, grinding, drilling, and other construction activities contains chemicals known to the State of California to cause cancer, birth defects or other reproductive harm. Some examples of these chemicals are:**
 - lead from lead-based paints,
 - crystalline silica from bricks and cement and other masonry products, and
 - arsenic and chromium from chemically-treated lumber.

Your risk from these exposures varies, depending on how often you do this type of work. To reduce your exposure to these chemicals: work in a well ventilated area, and work with approved safety equipment, such as those dust masks that are specially designed to filter out microscopic particles.
- **Avoid prolonged contact with dust from power sanding, sawing, grinding, drilling, and other construction activities. Wear protective clothing and wash exposed areas with soap and water.** *Allowing dust to get into your mouth, eyes, or lay on the skin may promote absorption of harmful chemicals.*

⚠ WARNING: Use of this tool can generate and/or disperse dust, which may cause serious and permanent respiratory or other injury. Always use NIOSH/OSHA approved respiratory protection appropriate for the dust exposure. Direct particles away from face and body.

⚠ WARNING: ALWAYS use safety glasses. Everyday eye glasses are NOT safety glasses. Also use face or dust mask if cutting operation is dusty. ALWAYS WEAR CERTIFIED SAFETY EQUIPMENT:

- ANSI Z87.1 eye protection (CAN/CSA Z94.3)
- ANSI S12.6 (S3.19) hearing protection
- NIOSH/OSHA/MSHA respiratory protection

SAFETY GUIDELINES - DEFINITIONS

It is important for you to read and understand this manual. The information it contains relates to protecting YOUR SAFETY and PREVENTING PROBLEMS. The symbols below are used to help you recognize this information.

⚠ DANGER: Indicates an imminently hazardous situation which, if not avoided, will result in death or serious injury.

⚠ WARNING: Indicates a potentially hazardous situation which, if not avoided, could result in death or serious injury.

⚠ CAUTION: Indicates a potentially hazardous situation which, if not avoided, may result in minor or moderate injury.

CAUTION: Used without the safety alert symbol indicates a potentially hazardous situation which, if not avoided, may result in property damage.

SYMBOLS

The label on your tool may include the following symbols.

V	volts	A.....	amperes
Hz	hertz	W	watts
min.....	minutes	~	alternating current
====	direct current	n ₀	no load speed
□	Class II Construction	⊕	earthing terminal
⚠	safety alert symbol	.../min	revolutions or reciprocations per minute

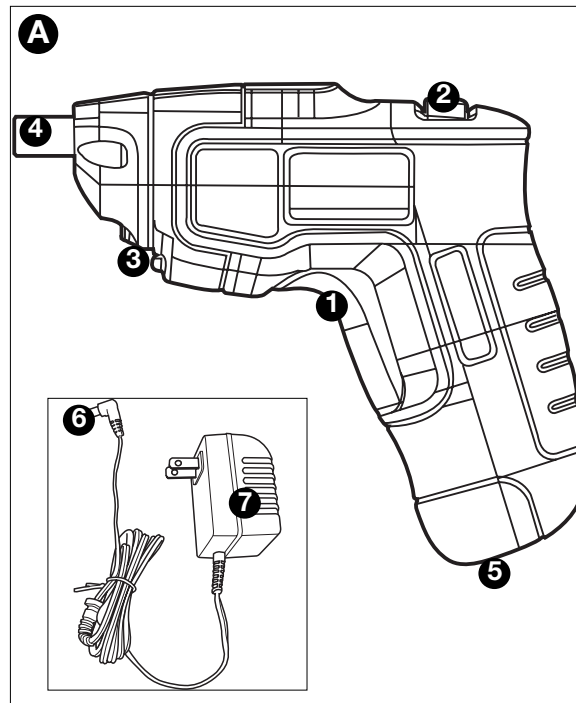
- When using an extension cord, be sure to use one heavy enough to carry the current your product will draw. An undersized cord will cause a drop in line voltage resulting in loss of power and overheating. The following table shows the correct size to use depending on cord length and nameplate ampere rating. If in doubt, use the next heavier gage. The smaller the gage number, the heavier the cord.

Recommended Minimum Wire Size for Extension Cords

Total Length of Cord		75 ft.	100 ft.	125 ft.	150 ft.	175 ft.
25 ft.	50 ft.	22.9 m	30.5 m	38.1 m	45.7 m	53.3 m
7.6 m	15.2 m					
Wire Size AWG						
18	18	16	16	14	14	12

FUNCTIONAL DESCRIPTION

- 1) SWITCH
- 2) FORWARD / REVERSE / LOCK OFF SLIDER
- 3) LED WORK LIGHT
- 4) HEX SPINDLE
- 5) CHARGING PORT
- 6) CHARGING PLUG
- 7) CHARGER



⚠ Safety Warnings and Instructions: Batteries

- Do not disassemble or open, drop (mechanical abuse), crush, bend or deform, puncture, or shred.
- Do not modify or remanufacture, attempt to insert foreign objects into the battery, immerse or expose to water or other liquids, or expose to fire, excessive heat including soldering irons, or put in microwave oven.
- Only use the battery / tool with a charging system specified by the manufacturer/supplier.
- Do not short-circuit a battery or allow metallic or conductive objects to contact both battery terminals simultaneously.
- Dispose of used batteries promptly according to the manufacturer/supplier's instructions.
- Improper battery use may result in a fire, explosion, or other hazard.
- Battery / tool usage by children should be supervised.

⚠ Safety Warnings and Instructions: Charging

1. This manual contains important safety and operating instructions.
2. Before using battery charger, read all instructions and cautionary warnings on battery charger and product using battery. **⚠ CAUTION:** To reduce the risk of injury, use this charger only with this product. Batteries in other products may burst causing personal injury or damage.
3. Do not expose charger to rain or snow.
4. Use of an attachment not recommended or sold by Black & Decker may result in a risk of fire, electric shock, or injury to persons.
5. To reduce risk of damage to electric plug and cord, pull by plug rather than cord when disconnecting charger.
6. Make sure cord is located so that it will not be stepped on, tripped over, or otherwise subjected to damage or stress.
7. An extension cord should not be used unless absolutely necessary. Use of improper extension cord could result in a risk of fire, electric shock or electrocution.
8. Use only the supplied charger when charging your tool. The use of any other charger could damage the tool or create a hazardous condition.
9. Use only one charger when charging.

10. Do not attempt to open the charger. There are no customer serviceable parts inside. Return to any authorized Black & Decker service center.
 11. DO NOT incinerate the tool or batteries even if they are severely damaged or completely worn out. The batteries can explode in a fire. Toxic fumes and materials are created when lithium ion battery packs are burned.
 12. Do not charge or use battery in explosive atmospheres, such as in the presence of flammable liquids, gases or dust. Inserting or removing the battery from the charger may ignite the dust or fumes.
 13. If battery contents come into contact with the skin, immediately wash area with mild soap and water. If battery liquid gets into the eye, rinse water over the open eye for three minutes or until irritation ceases. If medical attention is needed, the battery electrolyte is composed of a mixture of liquid organic carbonates and lithium salts.
- ⚠ WARNING: Burn hazard.** Battery liquid may be flammable if exposed to spark or flame.

Charging Procedure

CHARGING PROCEDURE - FIGURE B

IMPORTANT: The batteries in your tool are not fully charged at the factory. Before attempting to charge them, thoroughly read all of the safety instructions.

(1) The charging socket (5) is keyed to lock out other chargers. Align the tab in the charger plug (6) with the key in the charging socket.

(2) Plug the charger output plug (6) into the charging socket (5) of the tool as shown in **figure B**.

(3) Plug the charger (7) into any standard 120 Volt 60 Hz electrical outlet.

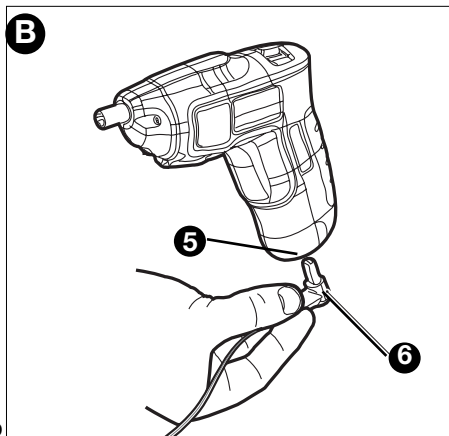
(4) Let the tool charge initially for at least 12 hours. After the initial charge, your tool should be fully charged in 12 hours from a fully discharged condition. **Recharge discharged batteries as soon as possible after use or battery life may be greatly diminished. For longest battery life, do not discharge batteries fully.** It is recommended that the batteries be recharged after each use.

⚠ WARNING: Do not use tool while it is connected to the charger.

⚠ WARNING: Fire Hazard. When disconnecting the charger from the tool, be sure to unplug the charger from the outlet first, then disconnect the charger cord from the tool.

Important Charging Notes

1. Your tool was sent from the factory in an uncharged condition. Before attempting to use it, it must be charged for at least 12 hours.
2. CAUTION: To reduce the risk of damage to the batteries, NEVER charge them in an air temperature below 40°F (4,5°C) or above 105°F (40,5°C). Also, NEVER charge them if the battery temperature is below 40°F (4,5°C) or above 105°F (40,5°C). Longest life and best performance occurs when batteries are charged with an air temperature of approximately 75°F (24°C).
3. While charging, the charger may hum and become warm to touch. This is a normal condition and does not indicate a problem.
4. If the batteries do not charge properly—(1) Check current at receptacle by plugging in a lamp or other appliance. (2) Check to see if receptacle is connected to a light switch which turns power off when you turn out the lights. (3) Check that the charger plug is fully inserted into the charger port on the tool. (4) If the receptacle is OK, and you do not get proper charging, take or send the tool and charger to your local Black & Decker service center. See Tools Electric in yellow pages.
5. The tool should be recharged when it fails to produce sufficient power on jobs which were easily done previously. Battery life may be greatly diminished if batteries are discharged deeply. DO NOT CONTINUE using product with its batteries in a depleted condition. Recharge discharged batteries promptly.



6. To maximize battery life:
 - a. Do not fully discharge batteries.
 - b. Fully recharge batteries after each use.
 - c. Store tool in a location where the surrounding air temperature is approximately 40°F - 75°F (4.5°C - 24°C).
 - d. Disconnect charger from tool after charge is complete. **⚠ WARNING: Fire Hazard.** When disconnecting the charger from the tool, be sure to unplug the charger from the outlet first, then disconnect the charger cord from the tool.

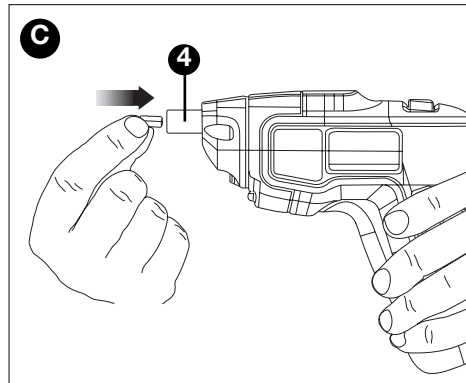
⚠ Safety Warnings and Instructions: Drilling

- ⚠ WARNING: Tool may stall (if overloaded or improperly used) causing a twist. To reduce the risk of injury always expect the stall.** Grip the tool firmly to control the twisting action and prevent loss of control which could cause personal injury. If a stall does occur, release the trigger immediately and determine the reason for the stall before re-starting.

ASSEMBLY AND ADJUSTMENT

INSERTING AND REMOVING BITS (FIGURE C)

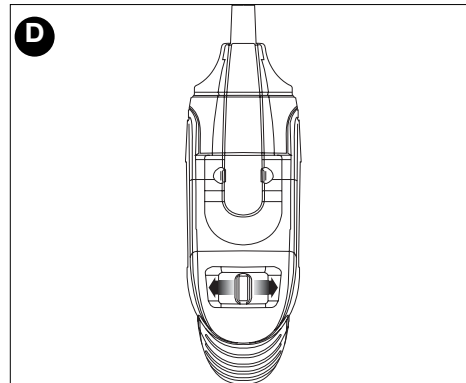
- To install a bit simply insert it into the cavity in the hex spindle (4) as shown in **figure C**. To remove the bit pull it straight out.



FORWARD / REVERSE / LOCK OFF SLIDER (FIGURE D)

- To select forward or reverse rotation, use the forward / reverse slider (2) (see arrows on the slider).

NOTE: When the forward / reverse slider is in the central position the tool is locked off to prevent accidental actuation or battery discharge.



OPERATING INSTRUCTIONS

SWITCHING ON AND OFF

- To run the tool, press the switch (1).
- To stop the tool, release the switch.
- To lock the tool in the off position, move the forward / reverse slider (2) to the central position.

SCREW DRIVING

- Insert the appropriate screwdriver bit into the hex spindle.
- Select forward or reverse rotation.

SCREW DRIVING NOTES:

- Do not use double ended screwdriver bits.

- Do not use screwdriver as a pry bar in any position.
- To avoid screwdriver being turned on accidentally, do not carry in your pocket.

LED LIGHT

A light (3) is built-in to the screwdriver below the spindle (4). To use the light without the spindle turning, place the forward / reverse selector (2) in the neutral position and squeeze the trigger.

DRILLING

- Insert the appropriate hex shank drill bit.
- Select forward rotation.

NOTE: When drilling, the bit may become disconnected from the spindle upon withdrawing it from the material. Should this occur, the bit can be removed by re-inserting the hex shank into the spindle and running the tool in the reverse direction.

GENERAL DRILLING TIPS

- This tool is not recommended for drilling in masonry.
- Use sharp drill bits only.
- Drill bits for metal can be used for drilling holes in wood. These bits must be sharp and should be pulled out frequently when drilling to clear chips from the flutes.
- Support and secure work properly, as instructed in the safety Instructions.
- Use appropriate and required safety equipment, as instructed in the safety instructions.
- Secure and maintain work area, as instructed in the safety instructions.
- Apply pressure in a straight line with the bit. Use enough pressure to keep the bit biting but not so much as to stall the motor or deflect the bit.
- Hold the tool firmly to control its twisting action.
- **DO NOT CLICK THE TRIGGER OF A STALLED TOOL OFF AND ON IN AN ATTEMPT TO START IT. DAMAGE TO THE TOOL CAN RESULT.**
- Minimize stalling on breakthrough by reducing pressure and slowly drilling through last part of hole.
- Keep the motor running while pulling the bit out of a drilled hole. This will help reduce jamming.
- Make sure switch turns tool on and off.

⚠ WARNING: It is important to support work properly and to hold the tool firmly to prevent loss of control which could cause personal injury.

MAINTENANCE

Use only mild soap and damp cloth to clean the tool. Never let any liquid get inside the tool; never immerse any part of the tool into a liquid.

IMPORTANT: To assure product SAFETY and RELIABILITY, repairs, maintenance and adjustment (other than those listed in this manual) should be performed by authorized service centers or other qualified service personnel, always using identical replacement parts.

BATTERY REMOVAL AND DISPOSAL

This product uses lithium-ion rechargeable and recyclable batteries. When the batteries no longer hold a charge, they should be removed from the product and recycled. They must not be incinerated or composited.

The batteries can be taken for disposal to a Black & Decker, Company-Owned or Authorized Service Center. Some local retailers are also participating in a national recycling program (see "RBRC™ Seal"). Call your local retailer for details. If you bring the batteries to a Black & Decker Company-Owned or Authorized Service Center, the Center will arrange to recycle old batteries. Or, contact your local municipality for proper disposal instructions in your city/town.

To remove the battery pack for disposal:

- 1.) First, before attempting to disassemble the product, turn it on and run it in either direction until it stops to ensure a complete discharge of the batteries.
- 2.) Remove the screws in the product housing and lift the housing half from the tool.
- 3.) Disconnect the terminal clips from the batteries and lift the batteries out.
- 4.) Place the battery in suitable packaging to prevent a short circuit of the battery terminals.
- 5.) Dispose of batteries as per recommended guidelines.

Troubleshooting

<u>Problem</u>	<u>Possible Cause</u>	<u>Possible Solution</u>
<ul style="list-style-type: none"> • Battery will not charge. 	<ul style="list-style-type: none"> • Charger not plugged into a working outlet. • Charger not plugged into screwdriver. • Charger jack not fully plugged into tool charging socket. 	<ul style="list-style-type: none"> • Plug charger into a working outlet. Refer to "Important Charging Notes" for more details. • Check current at receptacle by plugging in a lamp or other appliance. • Check to see if receptacle is connected to a light switch which turns power off when you turn out the lights. • Check to be sure charger plug is fully inserted into unit tool charging socket.

For assistance with your product, visit our website www.blackanddecker.com for the location of the service center nearest you or call the BLACK & DECKER help line at **1-800-544-6986**.

ACCESSORIES

Recommended accessories for use with your tool are available from your local dealer or authorized service center. If you need assistance regarding accessories, please call:

1-800-544-6986.

⚠ WARNING: The use of any accessory not recommended for use with this tool could be hazardous.

THE RBRC™ SEAL

The RBRC™ (Rechargeable Battery Recycling Corporation) Seal on the lithium-ion battery (or battery pack) indicates that the costs to recycle the battery (or battery pack) at the end of its useful life have already been paid by Black & Decker. In some areas, it is illegal to place spent lithium-ion batteries in the trash or municipal solid waste stream and the RBRC program provides an environmentally conscious alternative.

RBRC in cooperation with Black & Decker and other battery users, has established programs in the United States and Canada to facilitate the collection of spent lithium-ion batteries. Help protect our environment and conserve natural resources by returning the tool to an authorized Black & Decker service center for recycling. You may also contact your local recycling center for information on where to drop off the spent battery, or call **1-800-8-BATTERY**.



Service Information

All Black & Decker Service Centers are staffed with trained personnel to provide customers with efficient and reliable power tool service. Whether you need technical advice, repair, or genuine factory replacement parts, contact the Black & Decker location nearest you. To find your local service location, refer to the yellow page directory under "Tools—Electric" or call: **1-800-544-6986** or visit www.blackanddecker.com

Full Two-Year Home Use Warranty

Black & Decker (U.S.) Inc. warrants this product for two years against any defects in material or workmanship. The defective product will be replaced or repaired at no charge in either of two ways.

The first, which will result in exchanges only, is to return the product to the retailer from whom it was purchased (provided that the store is a participating retailer). Returns should be made within the time period of the retailer's policy for exchanges (usually 30 to 90 days after the sale). Proof of purchase may be required. Please check with the retailer for their specific return policy regarding returns that are beyond the time set for exchanges.

The second option is to take or send the product (prepaid) to a Black & Decker owned or

authorized Service Center for repair or replacement at our option. Proof of purchase may be required. Black & Decker owned and authorized Service Centers are listed under "Tools-Electric" in the yellow pages of the phone directory and on our website www.blackanddecker.com.

This warranty does not apply to accessories. This warranty gives you specific legal rights and you may have other rights which vary from state to state. Should you have any questions, contact the manager of your nearest Black & Decker Service Center. This product is not intended for commercial use.

FREE WARNING LABEL REPLACEMENT: If your warning labels become illegible or are missing, call 1-800-544-6986 for a free replacement.



Imported by:
Black & Decker (U.S.) Inc.,
701 E. Joppa Rd.
Towson, MD 21286 U.S.A.

See 'Tools-Electric'
– Yellow Pages –
for Service & Sales

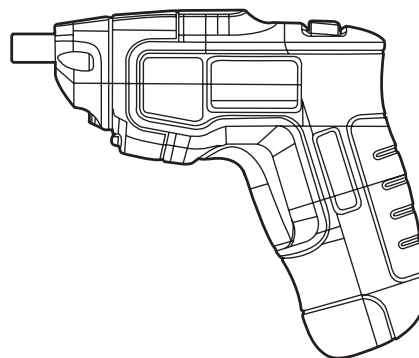


 **BLACK & DECKER®**

TOURNEVIS EN LITHIUM-ION

MODE D'EMPLOI

N° de catalogue LI3100



**Merci d'avoir choisi Black & Decker!
Consulter le site Web
www.BlackandDecker.com/NewOwner
pour enregistrer votre nouveau produit.**

À LIRE AVANT DE RETOURNER CE PRODUIT POUR QUELQUE RAISON QUE CE SOIT :

Si des questions ou des problèmes surgissent après l'achat d'un produit Black & Decker,
consulter le site Web

[HTTP://WWW.BLACKANDDECKER.COM/INSTANTANSWERS](http://WWW.BLACKANDDECKER.COM/INSTANTANSWERS)
pour obtenir des réponses instantanément 24 heures par jour.

Si la réponse est introuvable ou en l'absence d'accès à Internet, composer le
1-800-544-6986 de 8 h à 17 h HNE, du lundi au vendredi, pour parler avec un agent.
Prière d'avoir le numéro de catalogue sous la main lors de l'appel.

CONSERVER CE MANUEL POUR UN USAGE ULTÉRIEUR.

Avertissements de sécurité généraux pour les outils électriques

⚠ AVERTISSEMENT! Lire tous les avertissements de sécurité et toutes les directives. Le non-respect des avertissements et des directives pourrait se solder par un choc électrique, un incendie et/ou une blessure grave.

Conserver tous les avertissements et toutes les directives pour un usage ultérieur.

Le terme «outil électrique» cité dans les avertissements se rapporte à votre outil électrique à alimentation sur secteur (avec fil) ou par piles (sans fil).

1) Sécurité du lieu de travail

- a) **Tenir la zone de travail propre et bien éclairée.** *Les endroits sombres sont souvent des causes d'accidents.*
- b) **Ne pas faire fonctionner d'outils électriques dans un milieu déflagrant, soit en présence de liquides inflammables, de gaz ou de poussière.** *Les outils électriques produisent des étincelles qui peuvent enflammer la poussière ou les vapeurs.*
- c) **Éloigner les enfants et les curieux au moment d'utiliser un outil électrique.** *Une distraction pourrait vous en faire perdre la maîtrise.*

2) Sécurité en matière d'électricité

- a) **Les fiches des outils électriques doivent correspondre à la prise. Ne jamais modifier la fiche en aucune façon.** *Ne jamais utiliser de fiche d'adaptation avec un outil électrique mis à la terre. Le risque de choc électrique sera réduit par l'utilisation de fiches non modifiées correspondant à la prise.*
- b) **Éviter tout contact physique avec des surfaces mises à la terre comme des tuyaux, des radiateurs, des cuisinières et des réfrigérateurs.** *Le risque de choc électrique est plus élevé si votre corps est mis à la terre.*
- c) **Ne pas exposer les outils électriques à la pluie ou à d'autres conditions où il pourrait être mouillé.** *La pénétration de l'eau dans un outil électrique augmente le risque de choc électrique.*
- d) **Ne pas utiliser abusivement le cordon d'alimentation. Ne jamais utiliser le cordon pour transporter, tirer ou débrancher un outil électrique. Tenir le cordon éloigné de la chaleur, de l'huile, des bords tranchants ou des pièces mobiles.** *Les cordons endommagés ou emmêlés augmentent les risques de choc électrique.*
- e) **Pour l'utilisation d'un outil électrique à l'extérieur, se servir d'une rallonge convenant à une telle utilisation.** *L'utilisation d'une rallonge conçue pour l'extérieur réduit les risques de choc électrique.*
- f) **S'il est impossible d'éviter l'utilisation d'un outil électrique dans un endroit humide, brancher l'outil dans une prise ou sur un circuit d'alimentation dotés d'un disjoncteur de fuite à la terre (GFCI).** *L'utilisation de ce type de disjoncteur réduit les risques de choc électrique.*

3) Sécurité personnelle

- a) **Être vigilant, surveiller le travail effectué et faire preuve de jugement lorsqu'un outil électrique est utilisé. Ne pas utiliser d'outil électrique en cas de fatigue ou sous l'influence de drogues, d'alcool ou de médicaments.** *Un simple moment d'inattention en utilisant un outil électrique peut entraîner des blessures corporelles graves.*
- b) **Utiliser des équipements de protection individuelle. Toujours porter une protection oculaire.** *L'utilisation d'équipements de protection comme un masque antipoussière, des chaussures antidérapantes, un casque de sécurité ou des protecteurs auditifs lorsque la situation le requiert réduira les risques de blessures corporelles.*
- c) **Empêcher les démarrages intempestifs. S'assurer que l'interrupteur se trouve à la position d'arrêt avant de relier l'outil à une source d'alimentation et/ou d'insérer un bloc-piles, de ramasser ou de transporter l'outil.** *Transporter un outil électrique alors que le doigt repose sur l'interrupteur ou brancher un outil électrique dont l'interrupteur est à la position de marche risque de provoquer un accident.*

- d) **Retirer toute clé de réglage ou clé standard avant de démarrer l'outil.** *Une clé standard ou une clé de réglage attachée à une partie pivotante peut causer des blessures.*
- e) **Ne pas trop tendre les bras. Conserver son équilibre en tout temps.** *Cela permet de mieux maîtriser l'outil électrique dans les situations imprévues.*
- f) **S'habiller de manière appropriée. Ne pas porter de vêtements amples ni de bijoux. Garder les cheveux, les vêtements et les gants à l'écart des pièces mobiles.** *Les vêtements amples, les bijoux ou les cheveux longs risquent de rester coincés dans les pièces mobiles.*
- g) **Si des composants sont fournis pour le raccordement de dispositifs de dépoussiérage et de ramassage, s'assurer que ceux-ci sont bien raccordés et utilisés.** *L'utilisation d'un dispositif de dépoussiérage peut réduire les dangers engendrés par les poussières.*
- 4) Utilisation et entretien d'un outil électrique**
- a) **Ne pas forcer un outil électrique. Utiliser l'outil électrique approprié à l'application.** *L'outil électrique approprié effectuera un meilleur travail, de façon plus sûre et à la vitesse pour laquelle il a été conçu.*
- b) **Ne pas utiliser un outil électrique dont l'interrupteur est défectueux.** *Tout outil électrique dont l'interrupteur est défectueux est dangereux et doit être réparé.*
- c) **Débrancher la fiche du secteur ou le bloc-piles de l'outil électrique avant de faire tout réglage ou changement d'accessoire, ou avant de ranger l'outil électrique.** *Ces mesures préventives réduisent les risques de démarrage accidentel de l'outil électrique.*
- d) **Ranger les outils électriques hors de la portée des enfants, et ne permettre à aucune personne n'étant pas familière avec un outil électrique (ou son manuel d'instruction) d'utiliser ce dernier.** *Les outils électriques deviennent dangereux entre les mains d'utilisateurs inexpérimentés.*
- e) **Entretenir les outils électriques. Vérifier les pièces mobiles pour s'assurer qu'elles sont bien alignées et tournent librement, qu'elles sont en bon état et ne sont affectées par aucun trouble susceptible de nuire au bon fonctionnement de l'outil électrique. En cas de dommage, faire réparer l'outil électrique avant toute nouvelle utilisation.** *Beaucoup d'accidents sont causés par des outils électriques mal entretenus.*
- f) **S'assurer que les outils de coupe sont aiguisés et propres.** *Les outils de coupe bien entretenus et affûtés sont moins susceptibles de se coincer et sont plus faciles à contrôler.*
- g) **Utiliser l'outil électrique, les accessoires, les forets, etc. conformément aux présentes directives en tenant compte des conditions de travail et du travail à effectuer.** *L'utilisation d'un outil électrique pour toute opération autre que celle pour laquelle il a été conçu est dangereuse.*
- 5) Utilisation et entretien du bloc-piles**
- a) **Ne recharger l'outil qu'au moyen du chargeur précisé par le fabricant.** *L'utilisation d'un chargeur qui convient à un type de bloc-piles risque de provoquer un incendie s'il est utilisé avec un autre type de bloc-piles.*
- b) **Utiliser les outils électriques uniquement avec les blocs-piles conçus à cet effet.** *L'utilisation de tout autre bloc-piles risque de causer des blessures ou un incendie.*
- c) **Lorsque le bloc-piles n'est pas utilisé, le tenir éloigné des objets métalliques, notamment des trombones, de la monnaie, des clés, des clous, des vis, etc., qui peuvent établir une connexion entre les deux bornes.** *Le court-circuit des bornes du bloc-piles risque de provoquer des étincelles, des brûlures ou un incendie.*
- d) **En cas d'utilisation abusive, le liquide peut gicler hors du bloc-piles, éviter tout contact. Si un contact accidentel se produit, laver à grande eau. Si le liquide entre en contact avec les yeux, obtenir des soins médicaux.** *Le liquide qui gicle hors du bloc-piles peut provoquer des irritations ou des brûlures.*
- 6) Réparation**
- a) **Faire réparer l'outil électrique par un réparateur professionnel en n'utilisant que des pièces de rechange identiques.** *Cela permettra de maintenir une utilisation sécuritaire de l'outil électrique.*

RÈGLES DE SÉCURITÉ SPÉCIFIQUES

- **Saisir l'outil électrique par ses surfaces de prises isolées lorsque l'outil peut entrer en contact avec des fils cachés ou son cordon.** En cas de contact avec un fil sous tension, les pièces métalliques de l'outil seront sous tension et l'utilisateur subira des secousses électriques.
- **Utiliser des brides de fixation ou un autre dispositif de fixation permettant de fixer solidement et de soutenir la pièce sur une plateforme stable.** Tenir la pièce avec la main ou contre son corps la rend instable et risque de provoquer une perte de maîtrise de l'outil.
- ⚠ **AVERTISSEMENT : certains outils électriques, tels que les sableuses, les scies, les meules, les perceuses ou certains autres outils de construction, peuvent produire de la poussière contenant des produits chimiques reconnus par l'État de la Californie comme étant susceptibles d'entraîner le cancer, des malformations congénitales ou pouvant être nocifs pour le système reproductif. Parmi ces produits chimiques, on retrouve :**
 - le plomb dans les peintures à base de plomb,
 - la silice cristalline dans les briques et le ciment et autres produits de maçonnerie,
 - l'arsenic et le chrome dans le bois de sciage ayant subi un traitement chimique.

Le risque associé à de telles expositions varie selon la fréquence avec laquelle on effectue ces travaux. Pour réduire l'exposition à de tels produits, il faut travailler dans un endroit bien aéré et utiliser le matériel de sécurité approprié, tel un masque anti-poussières spécialement conçu pour filtrer les particules microscopiques.
- **Éviter tout contact prolongé avec la poussière soulevée par cet outil ou autres outils électriques. Porter des vêtements de protection et nettoyer les parties exposées du corps avec de l'eau savonneuse.** S'assurer de bien se protéger afin d'éviter d'absorber par la bouche, les yeux ou la peau des produits chimiques nocifs.
- ⚠ **AVERTISSEMENT : Cet outil peut produire et répandre de la poussière susceptible de causer des dommages sérieux et permanents au système respiratoire.** Toujours utiliser un appareil respiratoire anti-poussières approuvé par le NIOSH ou l'OSHA. Diriger les particules dans le sens opposé du visage et du corps.
- ⚠ **AVERTISSEMENT : TOUJOURS porter des lunettes de sécurité. Les lunettes de vue ne constituent PAS des lunettes de sécurité. Utiliser également un masque facial ou anti-poussière si l'opération de découpe génère de la poussière. TOUJOURS PORTER UN ÉQUIPEMENT DE PROTECTION HOMOLOGUÉ :**
 - protection oculaire conforme à la norme ANSI Z87.1 (CAN/CSA Z94.3);
 - protection auditive ANSI S12.6 (S3.19);
 - protection des voies respiratoires conformes aux normes NIOSH/OSHA/MSHA.

LIGNES DIRECTRICES EN MATIÈRE DE SÉCURITÉ - DÉFINITIONS

Il est important que vous lisiez et compreniez ce mode d'emploi. Les informations qu'il contient concernent VOTRE SÉCURITÉ et visent à ÉVITER TOUT PROBLÈME. Les symboles ci-dessous servent à vous aider à reconnaître cette information.

⚠ **DANGER :** Indique une situation dangereuse imminente qui, si elle n'est pas évitée, causera la mort ou des graves blessures.

⚠ **AVERTISSEMENT :** Indique une situation potentiellement dangereuse qui, si elle n'est pas évitée, pourrait causer la mort ou de graves blessures.

⚠ **MISE EN GARDE :** Indique une situation potentiellement dangereuse qui, si elle n'est pas évitée, pourrait causer des blessures mineures ou modérées.

MISE EN GARDE : Utilisé sans le symbole d'alerte à la sécurité, indique une situation potentiellement dangereuse qui, si elle n'est pas évitée, peut résulter en des dommages à la propriété.

SYMBLES

L'étiquette de l'outil peut comporter les symboles suivants.

V	volts	A.....	ampères
Hz	hertz	W	watts
min.....	minutes	~	courant alternatif
==	courant continu	n ₀	sous vide
□	Construction de classe II	⊕	borne de mise à la minute
⚠	symbole d'avertissement	.../min	tours ou courses à la minute

- L'utilisation d'une rallonge conçue pour l'extérieur réduit les risques de choc électrique. Lorsque qu'une rallonge électrique est utilisée, s'assurer d'en utiliser une de calibre suffisamment élevé pour assurer le transport du courant nécessaire au fonctionnement de votre appareil. Un cordon de calibre inférieur causera une chute de tension de ligne et donc une perte de puissance et une surchauffe. Le tableau suivant indique le calibre approprié à utiliser selon la longueur du cordon et l'intensité nominale de la plaque signalétique. En cas de doute, utiliser le calibre suivant le plus gros. Plus le numéro de calibre est petit, plus le cordon est lourd.

Calibre de fil minimum recommandé pour les rallonges**Longueur totale de la rallonge**

25 pi	50 pi	75 pi	100 pi	125 pi	150 pi	175 pi
7,6 m	15,2 m	22,9 m	30,5 m	38,1 m	45,7 m	53,3 m

Calibre AWG

18	18	16	16	14	14	12
----	----	----	----	----	----	----

DESCRIPTION FONCTIONNELLE

- 1) DÉTENTE
- 2) COMMUTEUR AVANT/ARRIÈRE/VERROU À COULISSE
- 3) LAMPE DE TRAVAIL À DEL
- 4) BROCHE HEXAGONALE
- 5) PORT DE CHARGE
- 6) FICHE DU CHARGEUR
- 7) CHARGEUR

⚠ Avertissements de sécurité et directives : bloc-piles

- Ne pas démonter ni ouvrir, échapper (abus mécanique), broyer, plier ou déformer, perforer ni déchiqueter.
- Ne pas modifier ni reconstruire, insérer de corps étranger dans le bloc-piles, l'immerger ni l'exposer à l'eau ou à d'autres liquides ou au feu, à une chaleur excessive comme des fers à souder ni mettre dans un four à micro-ondes.
- Utiliser uniquement le bloc-piles pour l'outil sans fil pour lequel il a été prévu.
- Utiliser uniquement le bloc-piles avec un système de charge précisé par le fabricant/fournisseur.
- Ne pas court-circuiter un bloc-piles ou permettre à des objets métalliques ou conducteurs d'entrer en contact simultanément avec les bornes de celui-ci.
- Éliminer rapidement les blocs-piles usés selon les directives du fabricant/fournisseur.
- Un mauvais usage des blocs-piles peut causer un incendie, une explosion ou présenter un autre risque.
- L'utilisation de blocs-piles par des enfants doit être supervisée.

⚠ Avertissements de sécurité et directives : chargement

1. Ce mode d'emploi renferme d'importantes directives de sécurité et d'utilisation.
2. Avant d'utiliser le chargeur de piles, lire toutes les directives et les indications d'avertissement apposées sur le chargeur et le produit. **⚠ MISE EN GARDE** : pour réduire le risque de blessure, utiliser le chargeur uniquement avec ce produit. Les piles utilisées dans d'autres produits peuvent éclater et causer des blessures corporelles et des dommages.

3. Protéger le chargeur de la pluie ou de la neige.
4. L'utilisation d'un équipement non recommandé ou vendu par Black & Decker peut entraîner un incendie, un choc électrique ou des blessures corporelles.
5. Pour réduire le risque de dommages à la fiche et au cordon d'alimentation, tirer sur la fiche plutôt que sur le cordon pour déconnecter le chargeur.
6. S'assurer que le cordon est situé en lieu sûr de manière à ce que personne ne marche ni ne trébuche dessus ou à ce qu'il ne soit pas endommagé ni soumis à une tension.
7. Il est préférable de ne pas utiliser une rallonge à moins que cela ne soit absolument nécessaire. L'utilisation d'une rallonge inadéquate risque d'entraîner un incendie, un choc électrique ou une électrocution.
8. Utiliser seulement le chargeur fourni pour charger votre outil. L'utilisation de tout autre chargeur risque d'endommager l'outil ou de créer une condition dangereuse.
9. Utiliser un seul chargeur pour charger.
10. Ne pas tenter d'ouvrir le chargeur. Aucune pièce à l'intérieur ne peut être réparée par le client. Retourner le produit à tout centre de réparation Black & Decker autorisé.
11. NE PAS incinérer l'outil ou les piles même s'ils sont gravement endommagés ou complètement usés. Les piles peuvent exploser dans un feu. Des vapeurs et des matières toxiques sont dégagées lorsque les blocs-piles au lithium-ion sont incinérés.
12. Ne pas charger ou utiliser un bloc-piles dans un milieu déflagrant, en présence de liquides, de gaz ou de poussière inflammables. Insérer ou retirer un bloc-piles du chargeur peut enflammer de la poussière ou des émanations.
13. Si le contenu du bloc-piles entre en contact avec la peau, laver immédiatement la zone touchée au savon doux et à l'eau. Si le liquide du bloc-piles entre en contact avec les yeux, rincer l'oeil ouvert à l'eau pendant trois minutes ou jusqu'à ce que l'irritation cesse. Si des soins médicaux sont nécessaires, l'électrolyte du bloc-piles est composé d'un mélange de carbonates organiques liquides et de sels de lithium.

⚠ AVERTISSEMENT : risque de brûlure. Le liquide du bloc-piles peut s'enflammer s'il est exposé à des étincelles ou à une flamme.

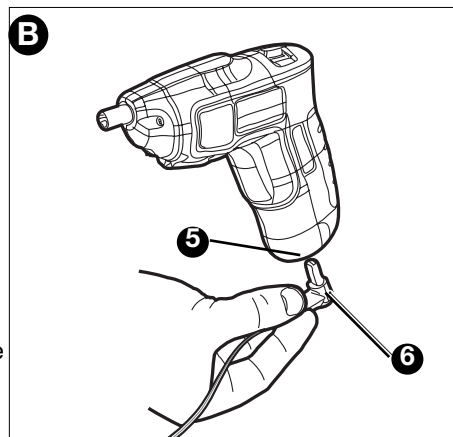
Procédure de charge

PROCÉDURE DE CHARGE (FIGURE B)

IMPORTANT : les piles de l'outil ne sont pas complètement chargées à l'usine. Avant de les charger, lire attentivement toutes les consignes de sécurité.

- (1) La prise de charge (5) comporte un verrou pour refuser les autres chargeurs. Aligner la patte dans la fiche du chargeur (6) avec le verrou dans la prise de charge.
- (2) Brancher la fiche de sortie du chargeur (6) dans la prise de charge (5) de l'outil comme l'illustre la **figure B**.
- (3) Brancher le chargeur (7) dans toute prise électrique standard de 120 volts, 60 Hz.
- (4) Lors de la première charge, laisser l'outil se charger pour au moins 12 heures. Après la première charge, l'outil devrait se charger entièrement en 12 heures lorsqu'il est à plat.

Recharger les piles épuisées aussitôt que possible après leur utilisation pour prolonger leur durée de vie. Pour préserver le plus possible la durée de vie du bloc-piles, ne pas le décharger tout à fait. Il est recommandé de recharger le bloc-piles après chaque utilisation.



⚠ AVERTISSEMENT : ne pas utiliser l'outil lorsqu'il est branché au chargeur.

⚠ AVERTISSEMENT : risque d'incendie. Avant de retirer l'outil du chargeur, débrancher d'abord le chargeur de la prise murale puis retirer le cordon du chargeur de l'outil.

Remarques importantes sur le chargement

1. L'outil est expédié de l'usine sans être chargé. Avant d'utiliser le bloc-piles, il doit être chargé durant au moins 12 heures.
2. **MISE EN GARDE** : pour réduire le risque d'endommager le bloc-piles, ne JAMAIS le charger à une température ambiante inférieure à 4,5 °C (40 °F) ou supérieure à 40,5 °C (105 °F). De plus, il ne faut JAMAIS charger le bloc-piles si sa température est inférieure à 4,5 °C (40 °F) ou supérieure à 40,5 °C (105 °F). La durée de vie et la performance sont accrues si les blocs-piles sont chargés à une température ambiante d'environ 24 °C (75 °F).
3. Durant la charge, le chargeur peut émettre un bourdonnement et devenir chaud au toucher. Il s'agit d'un état normal et n'indique pas un problème.
4. Si le bloc-pile ne se recharge pas adéquatement - (1) vérifier la prise de courant en branchant une lampe ou un autre appareil électrique. (2) vérifier si la prise est reliée à un interrupteur qui coupe le courant au moment d'éteindre la lumière; (3) vérifier si la fiche du chargeur est bien insérée dans le port de charge de l'outil. (4) si la prise est adéquate et que la charge obtenue est insuffisante, apporter ou envoyer l'outil et le chargeur au centre de réparation Black & Decker local. Consulter la section « Outils électriques » des Pages jaunes.
5. L'outil doit être rechargé lorsque sa puissance devient insuffisante pour des travaux qui étaient facilement réalisés précédemment. La durée de vie du bloc-piles risque d'être grandement réduite par une décharge profonde. **NE PAS CONTINUER** à utiliser le produit si ses blocs-piles sont épuisés. Recharger promptement les bloc-piles déchargés.
6. Pour maximiser la durée de vie des blocs-piles :
 - a. Ne pas décharger complètement les blocs-piles.
 - b. Recharger complètement les blocs-piles après chaque utilisation.
 - c. Ranger l'outil à un endroit où la température ambiante se situe environ entre 4,5 °C et 24 °C (40 °F et 75 °F).
 - d. Débrancher le chargeur de l'outil une fois la charge terminée. **⚠ AVERTISSEMENT** : risque d'incendie. Avant de retirer l'outil du chargeur, débrancher d'abord le chargeur de la prise murale puis retirer le cordon du chargeur de l'outil.

⚠ Avertissements de sécurité et directives : perçage

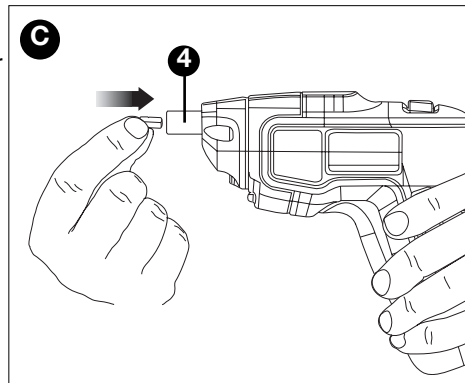
⚠ AVERTISSEMENT : l'outil pourrait se bloquer (à cause d'une surcharge ou d'une mauvaise utilisation), produisant ainsi une torsion brusque. Pour réduire le risque de blessure, toujours s'attendre à un blocage soudain. Empoigner fermement l'outil pour contrôler sa torsion et éviter d'en perdre le contrôle, ce qui pourrait causer des blessures corporelles. En cas de blocage, relâcher la détente immédiatement et déterminer la raison du blocage avant de redémarrer.

ASSEMBLAGE ET RÉGLAGE

INSERTION ET RETRAIT DES EMBOUTS

(FIGURE C)

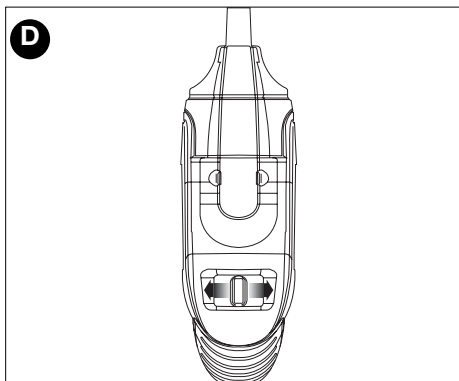
- Pour utiliser un embout, il suffit de l'insérer dans la cavité de la broche hexagonale (4) comme l'illustre la **figure C**. Pour retirer l'embout, tirer en ligne droite sur celui-ci.



COMMUTATEUR AVANT/ARRIÈRE/VERROU À COULISSE (FIGURE D)

- Pour sélectionner la rotation avant ou arrière, utiliser le commutateur coulissant avant/arrière (2) (regarder les flèches inscrites sur le commutateur).

REMARQUE : le commutateur avant/arrière à coulisse, en position centrale, verrouille l'outil et prévient un démarrage intempestif ou une décharge du bloc-piles.



FONCTIONNEMENT

MISE EN MARCHÉ ET ARRÊT

- Pour mettre l'outil en marche, **enfoncer la détente (1)**.
- Pour arrêter l'outil, la relâcher.
- Pour verrouiller l'outil en position d'arrêt, mettre l'interrupteur coulissant avant/arrière (2) au centre.

VISSAGE

- Insérer l'embout de tournevis approprié dans l'arbre hexagonal.
- Sélectionner la marche avant ou arrière.

REMARQUES CONCERNANT LE VISSAGE :

- Ne pas utiliser des embouts de vissage doubles.
- Ne pas utiliser le tournevis comme levier, quelle que soit la position.
- Pour éviter que le tournevis ne démarre intempestivement, ne pas le transporter dans votre poche.

LAMPE À DEL

Une lampe (3) est intégrée au tournevis, au-dessous de la broche (4). Pour utiliser la lampe sans actionner la broche, mettre le sélecteur avant/arrière (2) en position neutre et presser la détente.

PERÇAGE

- Insérer une mèche comportant le bon emmanchement hexagonal.
- Sélectionner la rotation avant.

REMARQUE : en mode perçage, il est possible que la mèche se dégage de l'arbre à son retrait du matériau. Dans ce cas, il est possible de la retirer. Pour ce faire, insérer de nouveau l'emmanchement hexagonal dans la fusée et inverser la rotation de l'outil.

CONSEILS PRATIQUES GÉNÉRAUX POUR LE PERÇAGE

- Le présent outil n'est pas recommandé pour le perçage de la maçonnerie.
- N'utiliser que des mèches bien aiguisées
- Des mèches de perçage de métaux peuvent être utilisées pour percer des trous dans le bois. Ces mèches doivent être bien aiguisées et doivent être fréquemment retirées pour nettoyer les cannelures.
- S'assurer que la pièce soit bien appuyée et stable, tel qu'indiqué dans les directives de sécurité.
- Utiliser l'équipement de sécurité approprié, tel qu'indiqué dans les directives de sécurité.
- Protéger et entretenir la zone de travail, tel qu'indiqué dans les directives de sécurité.
- Faire tourner la perceuse très lentement, en utilisant peu de pression, jusqu'à ce que le trou soit suffisamment grand pour que la mèche ne glisse pas.
- Exercer une pression en ligne droite avec la mèche. Exercer suffisamment de pression pour faire mordre la mèche mais ne pas appuyer à l'excès pour éviter de caler le moteur ou de faire dévier la mèche.
- Tenir fermement l'outil afin de contrôler sa torsion.
- **NE PAS TENTER DE FAIRE DÉMARRER UNE PERCEUSE BLOQUÉE EN UTILISANT**

LE DÉCLENCHEUR. IL Y A RISQUE D'ENDOMMAGER L'OUTIL. Pour la retirer, faire bouger la pointe d'avant en arrière puis la retirer.

- Éviter les blocages en réduisant la pression lors du perçage et percer lentement dans la dernière portion du trou.
 - Faire tourner la perceuse pour retirer la mèche du trou percé. Cette pratique réduira ainsi les blocages.
 - S'assurer que l'interrupteur met l'outil sous tension et hors tension.
- ⚠ **AVERTISSEMENT** : pour éviter toute blessure corporelle, il est important de bien appuyer la pièce de travail et de tenir la perceuse fermement afin d'en conserver le contrôle.

ENTRETIEN

Nettoyer l'outil au moyen d'un savon doux et d'un linge humide seulement. Ne jamais laisser de liquide s'infiltrer à l'intérieur de l'outil ni tremper ce dernier dans un liquide quelconque.

IMPORTANT : pour assurer la SÉCURITÉ et la FIABILITÉ de ce produit, toutes les opérations de réparation, d'entretien et de réglage (autres que celles décrites aux présentes) doivent être effectuées dans un centre de service autorisé ou par du personnel qualifié; on ne doit utiliser que des pièces de rechange identiques.

RETRAIT ET ÉLIMINATION DES PILES

Ce produit utilise des piles lithium-ion rechargeables et recyclables. Quand les piles ne tiennent plus la charge, elles doivent être retirées du produit et recyclées. Il ne faut pas les incinérer ni les mettre au compost.

On peut apporter les piles à un centre de réparation Black & Decker ou à un centre autorisé. Certains détaillants locaux participent également à un programme national de recyclage (voir la section « Le sceau RBRC™ »). Communiquer avec le détaillant local pour en connaître les détails. Le centre de réparation de Black & Decker ou un centre autorisé prendra les dispositions nécessaires pour recycler les piles épuisées si on les rapporte à un tel centre. On peut aussi contacter la municipalité pour obtenir des directives de mise au rebut appropriées selon la ville.

Retrait du bloc-piles pour élimination :

- 1.) D'abord, avant de démonter le produit, il faut le mettre en marche et le faire fonctionner en position de vissage ou de dévissage jusqu'à ce qu'il s'arrête de lui-même afin d'assurer une décharge complète du bloc-piles.
- 2.) Enlever les vis du boîtier du produit, puis soulever à moitié le boîtier de l'outil.
- 3.) Débrancher les cosses du bloc-piles, puis soulever ce dernier pour le sortir.
- 4.) Insérer le bloc-piles dans un emballage approprié de façon à éviter un court-circuit des bornes.
- 5.) Éliminer le bloc-piles conformément aux lignes directrices recommandées.

Dépannage

Problème

• La pile ne se charge pas.

Cause possible

• Le chargeur n'est pas branché prise dans une prise qui fonctionne.

• Le chargeur n'est pas connecté au tournevis.

• La fiche du chargeur n'est pas bien branchée sur la prise de charge de l'outil.

Solution possible

• Brancher le chargeur dans une prise fonctionnelle.

Se reporter à « Remarques importantes de chargement » pour plus de renseignements.

• Vérifier le courant à la prise en branchant une lampe ou un autre appareil électrique.

• Vérifier si la prise est reliée à un interrupteur de lumière qui la met hors tension lorsque vous éteignez les lumières.

• Vérifier que la fiche du chargeur est entièrement insérée dans la prise de charge de l'outil.

Pour de l'aide avec l'outil, consulter notre site Web www.blackanddecker.com pour l'emplacement du centre de réparation le plus près ou communiquer avec l'assistance BLACK & DECKER au **1-800-544-6986**.

ACCESSOIRES

Les accessoires recommandés pour cet outil sont offerts au centre de service autorisé ou chez le dépositaire local; pour obtenir de plus amples renseignements sur ces accessoires, composer le 1 800 544-6986.

⚠ **AVERTISSEMENT** : il pourrait s'avérer dangereux d'utiliser des accessoires autres que ceux recommandés pour cet outil.

LE SCEAU RBRC^{mc}*

Le sceau SRPRC^{mc} (Société de Recyclage des Piles Rechargeables au Canada) sur la pile lithium-ion (ou sur le bloc-piles) indique que son coût de recyclage (ou celui du bloc-piles) à la fin de sa vie utile sera payé par Black & Decker. Dans certaines régions, il est illégal de jeter les piles lithium-ion dans les poubelles ou dans le système municipal d'évacuation des résidus solides. Le programme RBRC représente donc une alternative sensibilisée à l'environnement.

La SRPRC en collaboration avec Black & Decker et d'autres utilisateurs de piles ont établi aux États-Unis et au Canada des programmes facilitant la cueillette des piles lithium-ion épuisées. Aidez-nous à protéger l'environnement et à conserver nos ressources naturelles en retournant l'outil à un centre de réparation Black & Decker pour qu'elles soient recyclées. Vous pouvez aussi communiquer avec votre centre local de recyclage qui vous fera part du lieu de disposition de vos batteries épuisées ou composer le numéro **1-800-8-BATTERY**.



INFORMATION SUR LES RÉPARATIONS

Tous les centres de réparation Black & Decker sont dotés de personnel qualifié en matière d'outillage électrique; ils sont donc en mesure d'offrir à leur clientèle un service efficace et fiable. Que ce soit pour un avis technique, une réparation ou des pièces de rechange authentiques installées en usine, communiquer avec l'établissement Black & Decker le plus près de chez vous. Pour trouver l'établissement de réparation de votre région, consulter le répertoire des Pages jaunes à la rubrique « Outils électriques » ou composer le numéro suivant : **1-800-544-6986** ou consulter le site www.blackanddecker.com

GARANTIE COMPLÈTE DE DEUX ANS POUR UNE UTILISATION DOMESTIQUE

Black & Decker (É.-U.) Inc. garantit ce produit pour une durée de deux ans contre tout défaut de matériau ou de fabrication. Le produit défectueux sera remplacé ou réparé sans frais de l'une des deux façons suivantes :

La première façon consiste en un simple échange chez le détaillant qui l'a vendu (pourvu qu'il s'agisse d'un détaillant participant). Tout retour doit se faire durant la période correspondant à la politique d'échange du détaillant (habituellement, de 30 à 90 jours après l'achat). Une preuve d'achat peut être requise. Vérifier auprès du détaillant pour connaître sa politique concernant les retours hors de la période définie pour les échanges.

La deuxième option est d'apporter ou d'envoyer le produit (transport payé d'avance) à un centre de réparation autorisé ou à un centre de réparation de Black & Decker pour faire réparer ou échanger le produit, à notre discrétion. Une preuve d'achat peut être requise. Les centres Black & Decker et les centres de service autorisés sont répertoriés dans les pages jaunes, sous la rubrique « Outils électriques ».

Cette garantie ne s'applique pas aux accessoires. Cette garantie vous accorde des droits légaux spécifiques et vous pourriez avoir d'autres droits qui varient d'un État ou d'une province à l'autre. Pour toute question, communiquer avec le directeur du centre de réparation Black & Decker le plus près de chez vous. Ce produit n'est pas destiné à un usage commercial.

REMPLACEMENT GRATUIT DES ÉTIQUETTES D'AVERTISSEMENT : si les étiquettes d'avertissement deviennent illisibles ou sont manquantes, composer le **1-800-544-6986** pour en obtenir le remplacement gratuit.

Imported by / Importé par
Black & Decker Canada Inc.
100 Central Ave.
Brockville (Ontario) K6V 5W6

Voir la rubrique "Outils
électriques"
des Pages Jaunes
pour le service et les ventes.

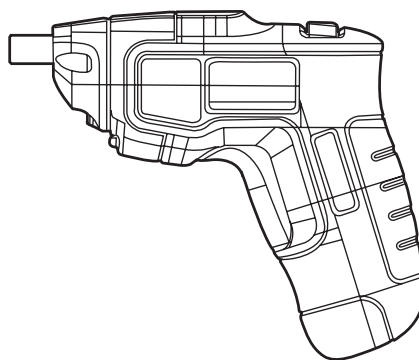


 **BLACK&DECKER®**

DESTORNILLADOR DE IONES DE LITIO

MANUAL DE INSTRUCCIONES

Catálogo N° LI3100



**Gracias por elegir Black & Decker!
Visite www.BlackandDecker.com/NewOwner
para registrar su nuevo producto.**

LEA EL MANUAL ANTES DE DEVOLVER ESTE PRODUCTO POR CUALQUIER MOTIVO:

Si tiene una consulta o algún inconveniente con su producto Black & Decker, visite
[HTTP://WWW.BLACKANDDECKER.COM/INSTANTANSWERS](http://WWW.BLACKANDDECKER.COM/INSTANTANSWERS)
para obtener respuestas instantáneas las 24 horas del día.

Si no encuentra la respuesta o no tiene acceso a Internet, llame al 1-800-544-6986 de
lunes a viernes de 8 a.m. a 5 p.m. hora del Este para hablar con un agente.
Cuando llame, tenga a mano el número de catálogo.

CONSERVE ESTE MANUAL PARA FUTURAS CONSULTAS.

Advertencias generales de seguridad para herramientas eléctricas

⚠ ADVERTENCIA: Lea todas las advertencias de seguridad e instrucciones. El incumplimiento de las advertencias e instrucciones puede provocar descargas eléctricas, incendios o lesiones graves.

Conserve todas las advertencias e instrucciones para futuras consultas.

El término "herramienta eléctrica" incluido en las advertencias hace referencia a las herramientas eléctricas operadas con corriente (con cable eléctrico) o a las herramientas eléctricas operadas con baterías (inalámbricas).

1) Seguridad en el área de trabajo

- a) **Mantenga el área de trabajo limpia y bien iluminada.** *Las áreas abarrotadas y oscuras propician accidentes.*
- b) **No opere herramientas eléctricas en atmósferas explosivas, como ambientes donde se encuentran líquidos, gases o polvo inflamables.** *Las herramientas eléctricas originan chispas que pueden encender el polvo o los vapores.*
- c) **Mantenga a los niños y espectadores alejados de la herramienta eléctrica en funcionamiento.** *Las distracciones pueden provocar la pérdida de control.*

2) Seguridad eléctrica

- a) **Los enchufes de la herramienta eléctrica deben adaptarse al tomacorriente. Nunca modifique el enchufe de ninguna manera. No utilice ningún enchufe adaptador con herramientas eléctricas con conexión a tierra.** *Los enchufes no modificados y que se adaptan a los tomacorrientes reducirán el riesgo de descarga eléctrica.*
- b) **Evite el contacto corporal con superficies puestas a tierra, como por ejemplo tuberías, radiadores, rangos y refrigeradores.** *Existe mayor riesgo de descarga eléctrica si su cuerpo está puesto a tierra.*
- c) **No exponga las herramientas eléctricas a la lluvia o a condiciones de humedad.** *Si ingresa agua a una herramienta eléctrica, aumentará el riesgo de descarga eléctrica.*
- d) **No maltrate al cable. Nunca utilice el cable para transportar, tirar o desenchufar la herramienta eléctrica. Mantenga el cable lejos del calor, aceite, bordes afilados o piezas móviles.** *Los cables dañados o enredados aumentan el riesgo de descarga eléctrica.*
- e) **Al operar una herramienta eléctrica en el exterior, utilice un cable prolongador adecuado para tal uso. Utilice un cable adecuado para uso en exteriores a fin de reducir el riesgo de descarga eléctrica.**
- f) **Si el uso de una herramienta eléctrica en un lugar húmedo es imposible de evitar, utilice un suministro protegido con un interruptor de circuito por falla a tierra (GFCI).** *El uso de un GFCI reduce el riesgo de descargas eléctricas.*

3) Seguridad personal

- a) **Permanezca alerta, controle lo que está haciendo y utilice el sentido común cuando emplee una herramienta eléctrica.** *No utilice una herramienta eléctrica si está cansado o bajo el efecto de drogas, alcohol o medicamentos. Un momento de descuido mientras se opera una herramienta eléctrica puede provocar lesiones personales graves.*
- b) **Utilice equipos de protección personal. Siempre utilice protección para los ojos.** *En las condiciones adecuadas, el uso de equipos de protección, como máscaras para polvo, calzado de seguridad antideslizante, cascos o protección auditiva, reducirá las lesiones personales.*
- c) **Evite el encendido por accidente. Asegúrese de que el interruptor esté en la posición de apagado antes de conectarlo a la fuente de energía o paquete de baterías, o antes de levantar o transportar la herramienta.** *Transportar herramientas eléctricas con el dedo apoyado en el interruptor o enchufar herramientas eléctricas con el interruptor en la posición de encendido puede propiciar accidentes.*
- d) **Retire las clavijas de ajuste o llaves de tuercas antes de encender la herramienta eléctrica.** *Una llave de tuercas o una clavija de ajuste que se deje conectada a una pieza giratoria de la herramienta eléctrica pueden provocar lesiones personales.*

- e) **No se estire. Conserve el equilibrio adecuado y manténgase parado correctamente en todo momento.** *Esto permite un mejor control de la herramienta eléctrica en situaciones inesperadas.*
- f) **Use la vestimenta adecuada. No use ropas holgadas ni joyas. Mantenga el cabello, la ropa y los guantes alejados de las piezas en movimiento.** *Las ropas holgadas, las joyas o el cabello largo pueden quedar atrapados en las piezas en movimiento.*
- g) **Si se suministran dispositivos para la conexión de accesorios con fines de recolección y extracción de polvo, asegúrese de que estén conectados y que se utilicen correctamente.** *El uso de dispositivos de recolección de polvo puede reducir los peligros relacionados con el polvo.*
- 4) Uso y mantenimiento de la herramienta eléctrica**
- a) **No fuerce la herramienta eléctrica. Utilice la herramienta eléctrica correcta para el trabajo que realizará.** *La herramienta eléctrica correcta hará el trabajo mejor y más seguro a la velocidad para la que fue diseñada.*
- b) **No utilice la herramienta eléctrica si no puede encenderla o apagarla con el interruptor.** *Toda herramienta eléctrica que no puede ser controlada mediante el interruptor es peligrosa y debe ser reparada.*
- c) **Desconecte el enchufe de la fuente de energía y/o el paquete de baterías de la herramienta eléctrica antes de realizar ajustes, cambiar accesorios o almacenar herramientas eléctricas.** *Estas medidas de seguridad preventivas reducen el riesgo de encender la herramienta eléctrica en forma accidental.*
- d) **Guarde las herramientas eléctricas que no están en uso fuera del alcance de los niños y no permite que otras personas no familiarizadas con ella o con estas instrucciones operen la herramienta.** *Las herramientas eléctricas son peligrosas en las manos de usuarios no entrenados.*
- e) **Mantenimiento de las herramientas eléctricas. Controle que no haya piezas móviles mal alineadas o trabadas, piezas rotas y toda otra situación que pueda afectar el funcionamiento de las herramientas eléctricas. Si encuentra daños, haga reparar la herramienta eléctrica antes de utilizarla.** *Se producen muchos accidentes a causa de las herramientas eléctricas que carecen de un mantenimiento adecuado.*
- f) **Mantenga las herramientas de corte afiladas y limpias.** *Las herramientas de corte con mantenimiento adecuado, con los bordes de corte afilados son menos propensas a trabarse y son más fáciles de controlar.*
- g) **Utilice la herramienta eléctrica, los accesorios y las brocas de la herramienta, etc. de acuerdo con estas instrucciones y teniendo en cuenta las condiciones de trabajo y el trabajo que debe realizarse.** *El uso de la herramienta eléctrica para operaciones diferentes de aquéllas para las que fue diseñada podría originar una situación peligrosa.*
- 5) Uso y mantenimiento de la herramienta con baterías**
- a) **Recargue solamente con el cargador especificado por el fabricante.** *Un cargador adecuado para un tipo de paquete de baterías puede originar riesgo de incendio si se utiliza con otro paquete de baterías.*
- b) **Utilice herramientas eléctricas sólo con paquetes de baterías específicamente diseñados.** *El uso de cualquier otro paquete de baterías puede producir riesgo de incendio y lesiones.*
- c) **Cuando no utilice el paquete de baterías, manténgalo lejos de otros objetos metálicos como sujetapapeles, monedas, llaves, clavos, tornillos u otros objetos metálicos pequeños que puedan realizar una conexión desde un terminal al otro.** *Los cortocircuitos en los terminales de la batería pueden provocar quemaduras o incendio.*
- d) **En condiciones abusivas, el líquido puede ser expulsado de la batería. Evite su contacto. Si entra en contacto accidentalmente, enjuague con agua. Si el líquido entra en contacto con sus ojos, busque atención médica.** *El líquido expulsado de la batería puede provocar irritación o quemaduras.*
- 6) Mantenimiento**
- a) **Haga que una persona de reparaciones calificada realice el mantenimiento de su herramienta eléctrica y utilice piezas de repuesto idénticas solamente.** *Esto garantizará la seguridad de la herramienta eléctrica.*

NORMAS DE SEGURIDAD ESPECÍFICAS

- **Sujete la herramienta eléctrica por las superficies aislantes cuando realice una operación en que la herramienta pueda hacer contacto con cableados ocultos.** Al hacer contacto con un cable "vivo", las partes metálicas de la herramienta se vuelven "vivas" y pueden originar un choque al operador.
- **Utilice abrazaderas u otra forma práctica para asegurar y sostener la pieza de trabajo sobre una plataforma estable.** Sostener el trabajo con la mano o contra el cuerpo no brinda la estabilidad requerida y puede llevar a la pérdida del control.
- ⚠ **ADVERTENCIA: parte del polvo producido por las herramientas eléctricas al lijar, aserrar, esmerilar, taladrar y realizar otras actividades de la construcción, contiene productos químicos reconocidos por el Estado de California como causantes de cáncer, defectos de nacimiento u otros problemas reproductivos. Algunos de estos productos químicos son:**
 - el plomo de las pinturas de base plomo,
 - la sílice cristalina de ladrillos, el cemento y otros productos de mampostería, y
 - el arsénico y el cromo de la madera con tratamiento químico.

El riesgo derivado de estas exposiciones varía según la frecuencia con la que se realice este tipo de trabajo. Para reducir la exposición a estos productos químicos: trabaje en áreas bien ventiladas y trabaje con equipos de seguridad aprobados, como las máscaras para polvo especialmente diseñadas para filtrar las partículas microscópicas.
- **Evite el contacto prolongado con el polvo proveniente del lijado, aserrado, amolado y taladrado eléctrico y otras actividades de construcción. Use vestimenta protectora y lave todas las áreas expuestas con agua y jabón.** De entrar polvo en sus ojos, boca, o que este permanezca sobre su piel puede promover la absorción de químicos dañinos.
- ⚠ **ADVERTENCIA: El uso de esta herramienta puede generar y/o dispersar el polvo, el cual puede ocasionar lesión respiratoria u otro tipo de lesión grave y permanente.** Utilice siempre protección respiratoria NIOSH/OSHA apropiada para la exposición al polvo. Dirija las partículas lejos de su cara o su cuerpo.
- ⚠ **AVERTISSEMENT : USE SIEMPRE LENTES DE SEGURIDAD. Los anteojos de uso diario NO son lentes de seguridad. Utilice también máscaras faciales o para polvo si el corte produce polvillo. UTILICE SIEMPRE EQUIPOS DE SEGURIDAD CERTIFICADOS:**
 - *Protección para los ojos según la norma ANSI Z87.1 (CAN/CSA Z94.3)*
 - *Protección auditiva según la norma ANSI S12.6 (S3.19)*
 - *Protección respiratoria según las normas NIOSH/OSHA/MSHA*

PAUTAS DE SEGURIDAD/DEFINICIONES

Es importante que lea y comprenda este manual. La información que contiene se relaciona con la protección de SU SEGURIDAD y la PREVENCIÓN DE PROBLEMAS. Los símbolos que siguen se utilizan para ayudarlo a reconocer esta información.

⚠ **PELIGRO:** indica una situación de peligro inminente que, si no se evita, provocará la muerte o lesiones graves.

⚠ **ADVERTENCIA:** indica una situación de peligro potencial que, si no se evita, provocará la muerte o lesiones graves.

⚠ **PRECAUCIÓN:** indica una situación de peligro potencial que, si no se evita, provocará lesiones leves o moderadas.

PRECAUCIÓN: utilizado sin el símbolo de alerta de seguridad indica una situación de peligro potencial que, si no se evita, puede provocar daños en la propiedad.

SÍMBOLOS

La etiqueta de su herramienta puede incluir los siguientes símbolos.

V.....	voltios	A	amperios
Hz.....	hertz	W	vatios
min.....	minutos	~	corriente alternante
====	corriente directa	no	velocidad sin carga
☐	Construcción Clase II	⊕	terminal a tierra
⚠	símbolo de alerta de seguridad	.../min	revoluciones u oscilaciones por minuto

- Utilice un cable adecuado para uso en exteriores a fin de reducir el riesgo de descarga eléctrica. Cuando utilice un cable prolongador, asegúrese de que tenga la capacidad para conducir la corriente que su producto exige. Un cable de menor capacidad provocará una disminución en el voltaje de la línea que producirá pérdida de potencia y sobrecalentamiento. La siguiente tabla muestra la medida correcta que debe utilizar según la longitud del cable y la capacidad nominal en amperios indicada en la placa. En caso de duda, utilice el calibre inmediatamente superior. Cuanto menor es el número de calibre, más grueso es el cable.

Calibres mínimos recomendados para alargadores

Longitud total del cable

25 pies	50 pies	75 pies	100 pies	125 pies	150 pies	175 pies
7,6 m	15,2 m	22,9 m	30,5 m	38,1 m	45,7 m	53,3 m

Calibre AWG

18	18	16	16	14	14	12
----	----	----	----	----	----	----

DESCRIPCIÓN DE LAS FUNCIONES

- 1) INTERRUPTOR
- 2) INTERRUPTOR DESLIZABLE DE AVANCE/REVERSA/BLOQUEO
- 3) LUZ DE TRABAJO LED
- 4) EJE HEXAGONAL
- 5) PUERTO DE CARGA
- 6) ENCHUFE DE CARGA
- 7) CARGADOR

⚠ Instrucciones y advertencias de seguridad: Baterías

- No desarme o abra, deje caer (uso mecánico indebido), comprima, doble o deforme, perforo ni triture las baterías.
- No modifique o vuelva a fabricar ni intente insertar objetos extraños en la batería; no sumerja o exponga al agua u otros líquidos ni exponga al fuego o calor excesivo, incluidos los punzones para soldar; ni coloque en el horno microondas.
- Sólo utilice la batería en el sistema de la herramienta inalámbrica para la que fue diseñada.
- Sólo utilice la batería con un sistema de carga especificado por el fabricante/proveedor.
- No produzca cortocircuitos con una batería ni permita que objetos metálicos o conductores entren en contacto con los terminales de la batería al mismo tiempo.
- Elimine las baterías usadas de inmediato, según las instrucciones del fabricante/proveedor.
- El uso inadecuado de la batería podría generar incendios, explosión u otro peligro.
- Los niños no deben usar las baterías sin la supervisión de un adulto responsable.

⚠ Instrucciones y advertencias de seguridad: carga

1. Este manual contiene instrucciones de operación y seguridad importantes.
2. Antes de utilizar el cargador de la batería, lea todas las instrucciones y las advertencias preventivas en el cargador de la batería y en el producto que utiliza la batería. ⚠ **PRECAUCIÓN:** Para reducir el riesgo de lesión, utilice el cargador solamente con este producto. Las baterías en otros productos pueden estallar y provocar daños personales o materiales.
3. No exponga el cargador a la lluvia ni a la nieve.

4. El uso de un accesorio no recomendado o no vendido por Black & Decker puede provocar riesgos de incendio, descarga eléctrica o daños personales.
5. Para reducir el riesgo de avería en el enchufe y cable eléctricos, tire del enchufe y no del cable al desconectar el cargador.
6. Asegúrese de que el cable esté ubicado de manera que no lo pise o se tropiece con él y que no esté sujeto a daños o tensiones de alguna otra manera.
7. No se debe utilizar un cable prolongador a menos que sea absolutamente necesario. El uso de un cable prolongador incorrecto puede provocar riesgo de incendio, descarga eléctrica o electrocución.
8. Utilice únicamente el cargador provisto cuando carga su herramienta. El uso de cualquier otro cargador puede dañar la herramienta o provocar una condición de riesgo.
9. Utilice un solo cargador cuando carga.
10. No intente abrir el cargador. No contiene elementos que el cliente pueda reparar. Devuelva a cualquier centro de mantenimiento Black & Decker autorizado.
11. NO incinere la herramienta o las baterías aunque estén muy averiadas o completamente gastadas. Las baterías pueden explotar en el fuego. Cuando se queman paquetes de baterías de iones de litio, se generan vapores y materiales tóxicos.
12. No cargue ni use la batería en atmósferas explosivas, como ambientes en los que hay líquidos, gases o polvo inflamables. Insertar o retirar la batería del cargador puede encender el polvo o los vapores.
13. Si el contenido de las baterías entra en contacto con la piel, lave el área de inmediato con agua y jabón suave. Si el líquido de la batería entra en contacto con los ojos, enjuague con agua manteniendo los ojos abiertos durante tres minutos o hasta que la irritación cese. Si se necesita atención médica, el electrolito de la batería contiene una mezcla de carbonatos orgánicos líquidos y sales de litio.

⚠ ADVERTENCIA: Peligro de quemaduras. El líquido de la batería puede encenderse si se expone a chispas o llamas.

Procedimiento de carga

PROCEDIMIENTO DE CARGA - FIGURA B

IMPORTANTE: Las baterías en la herramienta no vienen completamente cargadas de fábrica. Antes de intentar cargarlas, lea atentamente todas las instrucciones de seguridad.

(1) El enchufe de carga (5) está ranurado para no permitir otros cargadores. Alinee la lengüeta del enchufe del cargador (6) con la ranura del enchufe de carga.

(2) Conecte el enchufe de salida del cargador (6) en el enchufe de carga (5) de la herramienta como se muestra en la **figura B**.

(3) Enchufe el cargador (7) en cualquier tomacorriente estándar de 120 voltios, 60 Hz.

(4) La primera vez, permita que la herramienta se cargue al menos durante 12 horas.

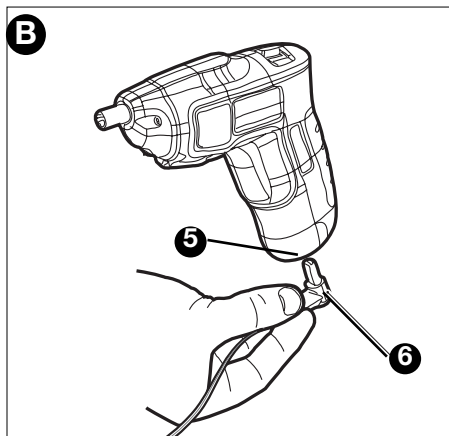
Después de la primera carga, la herramienta debiera cargarse completamente en 12 horas a partir de un estado de descarga completa.

Después del uso, recargue las baterías descargadas a la brevedad posible o de lo contrario la vida útil de las baterías podría acortarse en gran medida. Para obtener la máxima vida útil de las baterías, no permita que éstas se descarguen completamente.

Se recomienda recargar las baterías después de cada uso.

⚠ ADVERTENCIA: No utilice la herramienta mientras esté conectada al cargador.

⚠ ADVERTENCIA: Riesgo de incendio. Cuando desconecte el cargador de la herramienta, primero asegúrese de desenchufar el cargador del tomacorriente y luego desconecte el cable del cargador de la herramienta.



Notas importantes sobre la carga

1. La herramienta no viene con carga completa de fábrica. Antes de intentar utilizarla, se debe cargar al menos durante 12 horas.
2. **PRECAUCIÓN:** Para reducir el riesgo de daños a las baterías, NUNCA las cargue en una temperatura ambiente inferior a 4,5 °C (40 °F) o superior a 40,5 °C (105 °F). Además, NUNCA las cargue si la temperatura de las baterías es inferior a 4,5 °C (40 °F) o superior a 40,5 °C (105 °F). La mayor vida útil y el mejor rendimiento se producen cuando las baterías se cargan con una temperatura ambiente de aproximadamente 24 °C (75 °F).
3. Durante la carga, el cargador puede zumbar y ponerse caliente al tacto. Esto es una condición normal y no indica un problema.
4. Si las baterías no se cargan correctamente: (1) Verifique que haya corriente en el tomacorriente enchufando una lámpara u otro artefacto. (2) Verifique si el tomacorriente está conectado a un interruptor que corta la energía cuando usted apaga la luz. (3) Verifique que el enchufe del cargador esté completamente insertado en el puerto del cargador de la herramienta. (4) Si el tomacorriente no presenta problemas y no se obtiene la carga adecuada, lleve o envíe la herramienta y el cargador al centro de mantenimiento local de Black & Decker. Consulte "Herramientas eléctricas" en las páginas amarillas.
5. Se debe recargar la herramienta cuando no produce energía suficiente para tareas que previamente realizaba con facilidad. La vida útil de las baterías podría acortarse en gran medida si éstas se descargan demasiado. NO CONTINÚE utilizando el producto con sus baterías agotadas. Recargue de inmediato las baterías descargadas.
6. Para maximizar la vida útil de las baterías:
 - a. No descargue completamente las baterías.
 - b. Recargue completamente las baterías después de cada uso.
 - c. Guarde la herramienta en un lugar donde la temperatura ambiente esté aproximadamente entre 4,5 °C y 24 °C (40 °F y 75 °F).
 - d. Desconecte el cargador de la herramienta después de que se complete la carga.

⚠ **ADVERTENCIA:** Riesgo de incendio. Cuando desconecte el cargador de la herramienta, primero asegúrese de desenchufar el cargador del tomacorriente y luego desconecte el cable del cargador de la herramienta.

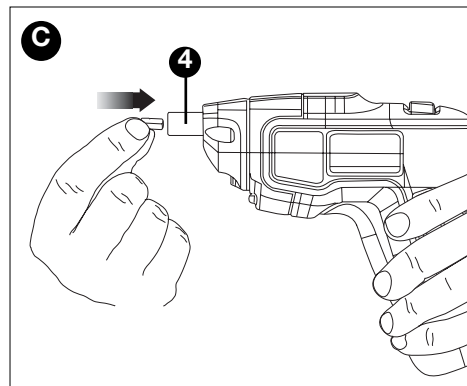
⚠ Instrucciones y advertencias de seguridad: taladrado

- ⚠ **ADVERTENCIA:** la herramienta puede atascarse (si se sobrecarga o se usa inadecuadamente) y provocar una torsión. Para reducir el riesgo de lesiones espere siempre el atascamiento. Sujete la herramienta con firmeza para controlar la torsión y evitar la pérdida de control que podría ocasionar lesiones personales. En caso de que se atasque la herramienta, suelte el gatillo inmediatamente y determine la causa del atascamiento antes de encenderla nuevamente.

ENSAMBLAJE Y AJUSTE

INSERCIÓN Y REMOCIÓN DE PUNTAS (FIGURA C)

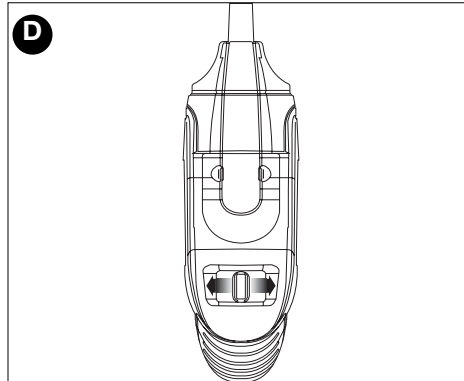
- Para colocar una punta, simplemente insértela en la cavidad del eje hexagonal (4) como se muestra en la **figura C**. Para retirar la punta, hale de ella hacia afuera.



INTERRUPTOR DESLIZABLE DE AVANCE/REVERSA/BLOQUEO (FIGURA D)

- Para seleccionar una rotación de avance o reversa, utilice el interruptor deslizable de avance/reversa (2) (vea las flechas en el interruptor).

NOTA: Cuando el interruptor deslizable de avance/reversa está en la posición central, la herramienta se bloquea para evitar el accionamiento accidental o la descarga de la batería.

**INSTRUCCIONES DE OPERACIÓN****ENCENDIDO Y APAGADO**

- Para hacer funcionar la herramienta, presione el interruptor (1).
- Para apagar la herramienta, suelte el interruptor.
- Para bloquear la herramienta en la posición de apagado, mueva el interruptor deslizable avance/reversa (2) hacia la posición central.

ATORNILLADO

- Coloque la punta para destornillador adecuada dentro del eje hexagonal.
- Seleccione la rotación de avance o de reversa.

NOTAS SOBRE EL ATORNILLADO:

- No utilice las puntas dobles para destornillador.
- No utilice el destornillador para hacer palanca en ninguna posición.
- Para evitar que el destornillador se encienda accidentalmente, no lo lleve en el bolsillo.

LUZ LED

El destornillador tiene incorporada una luz (3) bajo el eje (4). Para utilizar la luz cuando el eje no está girando, mueva el interruptor de avance/reversa (2) a la posición neutral y apriete el gatillo.

TALADRADO

- Inserte la broca para taladro de vástago hexagonal adecuada.
- Seleccione la rotación de avance.

NOTA: Al taladrar, es posible que la broca se desconecte del eje al momento de retirarla del material. Si esto ocurre, para retirar la broca se debe insertar nuevamente el vástago hexagonal dentro del eje y operar la herramienta en la dirección opuesta.

SUGERENCIAS GENERALES DE TALADRADO

- No se recomienda el uso de la herramienta para taladrado en mampostería.
- Use solamente brocas para taladro afiladas.
- Las brocas de taladro para metal se pueden usar para perforar orificios en madera. Estas brocas deben estar afiladas y se deben retirar con frecuencia mientras se taladra para limpiar las virutas de las ranuras.
- Sostenga y asegure el trabajo adecuadamente, según se indica en las instrucciones de seguridad.
- Utilice equipos de seguridad adecuados y necesarios, como se indica en las instrucciones de seguridad.
- Asegure y mantenga el área de trabajo, según se indica en las instrucciones de seguridad.
- Haga funcionar el taladro muy lentamente, con poca presión, hasta que el orificio producido sea tal que contenga la broca y evite que se deslice del mismo.
- Aplique presión en línea recta con la broca. Utilice presión suficiente para mantener la broca funcionando, pero no tanto como para ahogar el motor o ladear la broca.
- Sostenga firmemente la herramienta para controlar la torsión.
- SI EL TALADRO SE PARÓ, NO INSISTA EN MOVER EL DISPARADOR DE

ENCENDIDO Y APAGADO DEL TALADRO. SE PODRÍA DAÑAR EL TALADRO. Para retirarla, mueva la broca de un lado a otro hasta sacarla.

- Reduzca la presión y taladre lentamente hasta la última parte del orificio a fin de minimizar atascos al perforar.
- Mantenga el motor en funcionamiento mientras retira la broca de un orificio taladrado. Esto ayudará a reducir atascamientos.
- Asegúrese de que el interruptor encienda y apague el taladro.

⚠ **ADVERTENCIA:** es importante apoyar bien la pieza sobre la que se trabaja y sostener el taladro firmemente para evitar la pérdida de control, que podría provocar daños personales.

Detección de problemas

Problema

• La batería no carga

Causa posible

- El cargador no está enchufado en un tomacorriente que funcione.
- El cargador no está enchufado en el destornillador.
- El enchufe hembra del cargador no está completamente conectado al enchufe de carga de la herramienta.

Solución posible

- Enchufe el cargador en un tomacorriente que funcione. Consulte "Notas importantes sobre la carga" para conocer más detalles.
- Revise si hay corriente en el tomacorriente enchufando una lámpara u otro artefacto.
- Verifique si el tomacorriente está conectado a un interruptor que corta la energía cuando usted apaga las luces.
- Verifique el enchufe del cargador para asegurarse de que esté completamente insertado en el enchufe de carga de la herramienta.

Para recibir asistencia con su producto, visite nuestro sitio web www.blackanddecker.com para conocer la ubicación del centro de mantenimiento más cercano o llame a la línea de ayuda de BLACK & DECKER al **(55)5326-7100**.

Mantenimiento

Utilice solamente jabón suave y agua para limpiar la herramienta. Nunca permita que ningún líquido se introduzca dentro de la misma; nunca sumerja ninguna parte de la herramienta dentro de un líquido.

IMPORTANTE: Las reparaciones, el mantenimiento y los ajustes del dispositivo (fuera de los mencionados en este documento) deberán ser realizados por centros de servicio autorizados u otro personal de servicio calificado, utilizando siempre repuestos idénticos, para asegurar la SEGURIDAD y FIABILIDAD de la unidad.

REMOCIÓN Y ELIMINACIÓN DE LA BATERÍA

Este producto utiliza baterías de iones de litio recargables y reciclables. Cuando las baterías ya no mantengan la carga, es necesario retirarlas del producto y reciclarlas. No se deben incinerar ni combinar con otras.

Para eliminar las baterías, puede llevarlas a un centro de mantenimiento de Black & Decker propio o autorizado. Algunos comercios minoristas locales participan de un programa nacional de reciclado (ver "Sello RBRCTM"). Llame a su comercio minorista local para obtener más información. Si lleva las baterías a un centro de mantenimiento de Black & Decker propio o autorizado, éste se ocupará de reciclarlas. O bien, comuníquese con la municipalidad local para conocer las instrucciones de eliminación adecuadas de su ciudad o localidad.

Para retirar el paquete de baterías para su eliminación:

- 1.) Primero, antes de proceder a desarmar el producto, enciéndalo y hágalo funcionar en cualquier dirección hasta que se detenga para asegurarse de que las baterías estén completamente descargadas.
- 2.) Retire los tornillos de la caja del producto y levante la caja a mediana distancia de la herramienta.

- 3.) Desconecte las pinzas de los terminales de las baterías y retire las baterías.
- 4.) Coloque la batería en un empaque adecuado para evitar un cortocircuito de los terminales de la batería.
- 5.) Elimine las baterías según las pautas recomendadas.

Accesorios

Los accesorios recomendados para ser utilizados con su herramienta se encuentran disponibles donde su distribuidor o centro de servicio autorizado locales. Si tiene alguna consulta acerca de estos accesorios, por favor llame al **(55)-5326-7100**

⚠️ ADVERTENCIA: El uso de un accesorio que no sea recomendado para ser utilizado con esta herramienta podría ser peligroso.

EL SELLO RBRC™

El sello RBRC™ (Corporación de reciclado de baterías recargables) que se encuentra sobre la batería de iones de litio (o paquete de baterías) indica que los costos para reciclar la batería (o el paquete de baterías) al final de su vida útil ya fueron pagados por Black & Decker. En algunas zonas, es ilegal tirar las baterías usadas de iones de litio en la basura o en el depósito de desechos sólidos del municipio. El programa RBRC proporciona una alternativa de conciencia sobre el cuidado del medio ambiente.

RBRC, en cooperación con Black & Decker y otros usuarios de baterías, estableció programas en los Estados Unidos y Canadá para facilitar la recolección de baterías de iones de litio usadas. Ayude a proteger nuestro medio ambiente y a conservar los recursos naturales: devuelva la herramienta a un centro de mantenimiento autorizado Black & Decker para que sean recicladas. También puede comunicarse con el centro de reciclado para informarse sobre dónde dejar las baterías, o llame al **(55)5326-7100**.



INFORMACIÓN DE MANTENIMIENTO

Todos los Centros de mantenimiento de Black & Decker cuentan con personal altamente capacitado dispuesto a brindar a todos los clientes un servicio eficiente y confiable en la reparación de herramientas eléctricas. Si necesita consejo técnico, reparaciones o piezas de repuesto originales de fábrica, póngase en contacto con el centro de mantenimiento de Black & Decker más cercano a su domicilio. Para ubicar su centro de servicio local, consulte la sección "Herramientas eléctricas" (Tools-Electric) de las páginas amarillas, llame al **(55)5326-7100** o visite nuestro sitio www.blackanddecker.com.

GARANTÍA COMPLETA DE DOS AÑOS PARA USO EN EL HOGAR

Black & Decker (Estados Unidos) Inc. ofrece una garantía de dos años por cualquier defecto del material o de fabricación de este producto. El producto defectuoso se reparará o reemplazará sin costo alguno de dos maneras.

La primera opción, el reemplazo, es devolver el producto al comercio donde se lo adquirió (siempre y cuando se trate de un comercio participante). Las devoluciones deben realizarse conforme a la política de devolución del comercio (generalmente, entre 30 y 90 días posteriores a la venta). Le pueden solicitar comprobante de compra. Consulte en el comercio acerca de la política especial sobre devoluciones una vez excedido el plazo establecido.

La segunda opción es llevar o enviar el producto (con flete pago) a un Centro de mantenimiento propio o autorizado de Black & Decker para su reparación o reemplazo según nuestro criterio. Le pueden solicitar el comprobante de compra. Los Centros de mantenimiento autorizados y de propiedad de Black & Decker se detallan en la sección "Herramientas eléctricas" (Tools-Electric) de las páginas amarillas de la guía telefónica. Esta garantía no se extiende a los accesorios. Esta garantía le concede derechos legales específicos; usted puede tener otros derechos que pueden variar según el estado o la provincia. Si tiene alguna pregunta, comuníquese con el gerente del Centro de mantenimiento de Black & Decker de su zona. Este producto no está diseñado para uso comercial.

AMÉRICA LATINA: esta garantía no se aplica a los productos que se venden en América Latina. Para los productos que se venden en América Latina, debe consultar la información de la garantía específica del país que viene en el empaque, llamar a la compañía local o visitar el sitio Web a fin de obtener esa información.

Para reparación y servicio de sus herramientas eléctricas, favor de dirigirse al Centro de Servicio más cercano:

CULIACAN, SIN

Av. Nicolás Bravo #1063 Sur
(667) 7 12 42 11
Col. Industrial Bravo

GUADALAJARA, JAL

Av. La Paz #1779
(33) 3825 6978
Col. Americana Sector Juarez

MEXICO, D.F.

Eje Central Lázaro Cardenas
No. 18
(55) 5588 9377
Local D, Col. Obrera

MERIDA, YUC

Calle 63 #459-A
(999) 928 5038
Col. Centro

MONTERREY, N.L.

Av. Francisco I. Madero
No.831
(81) 8375 2313
Col. Centro

PUEBLA, PUE

17 Norte #205
(222) 246 3714
Col. Centro

QUERETARO, QRO

Av. Madero 139 Pte.
(442) 214 1660
Col. Centro

SAN LUIS POTOSI, SLP

Av. Universidad 1525
(444) 814 2383
Col. San Luis

TORREON, COAH

Blvd. Independencia, 96 Pte.
(871) 716 5265
Col. Centro

VERACRUZ, VER

Prolongación Díaz Mirón #4280
(229)921 7016
Col. Remes

VILLAHERMOSA, TAB

Constitución 516-A
(993) 312 5111
Col. Centro

PARA OTRAS LOCALIDADES LLAME AL: (55) 5326 7100

**Vea "Herramientas
eléctricas (Tools-
Electric)"
- Páginas amarillas -
para Servicio y ventas**



**BLACK & DECKER S.A. DE C.V.
BOSQUES DE CIDROS ACCESO
RADIATAS NO. 42
COL. BOSQUES DE LAS LOMAS.
05120 MÉXICO, D.F.
TEL. 55-5326-7100**