



## Libero Line Series Induction Cooktop

ITEM # \_\_\_\_\_  
 MODEL # \_\_\_\_\_  
 PROJECT NAME # \_\_\_\_\_  
 SIS # \_\_\_\_\_  
 AIA # \_\_\_\_\_

Electrolux



### Main features

- Tabletop design, front-to-back model.
- Heavy duty, one-piece seamless, 304 AISI stainless steel construction.
- High impact, heavy duty Ceran® glass cooking surface for durability and easy cleaning.
- Two induction-cooking zones (1.5 kW each) with independent touch button controls.
- Automatic pan detection transfers power only when the pan is present, maximizing energy efficiency.
- No heat emission into the work environment only to the magnetic induction pans.
- Smooth rounded edges guarantee a flush fit between units.
- Fits Induction Ready Wok Pan dimensions 7.5" diameter.
- Digital power level display and touch button control panel.
- IPX4 water protection.
- Cord and plug included.
- Installed electric power: 3 kW.
- External dimensions:
  - Height: 5.2"
  - Depth: 23.6"
  - Width: 12.8"
- ETL electrical and sanitation listed.
- NEMA # : 6-20P.
- Shipping weight – 31 lbs.
- Net weight – 29 lbs.
- 2 year parts warranty, 1 year labor.



NEMA #: 6-20P

Approval: \_\_\_\_\_

**Electrolux Professional, Inc.**  
[www.electroluxusa.com/professional](http://www.electroluxusa.com/professional)

3225 SW 42nd Street, Fort Lauderdale, Florida, 33312 • Telephone Number: 866-449-4200 • Fax Number: 954-327-6789

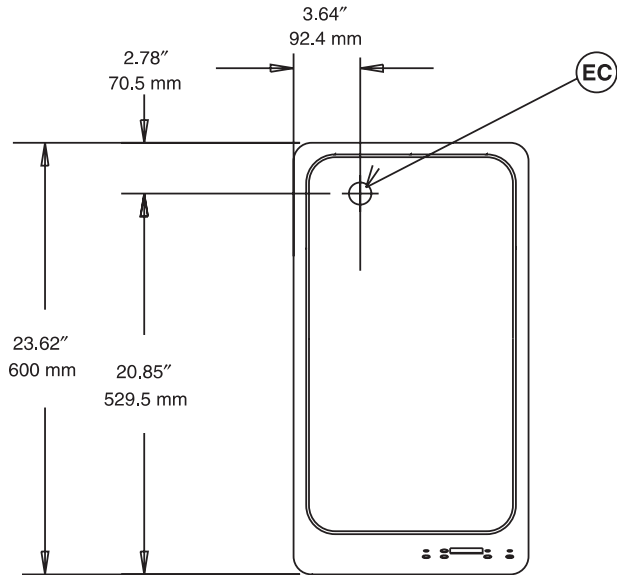
Libero Line Series Induction Cooktop

### Electric

Supply voltage:

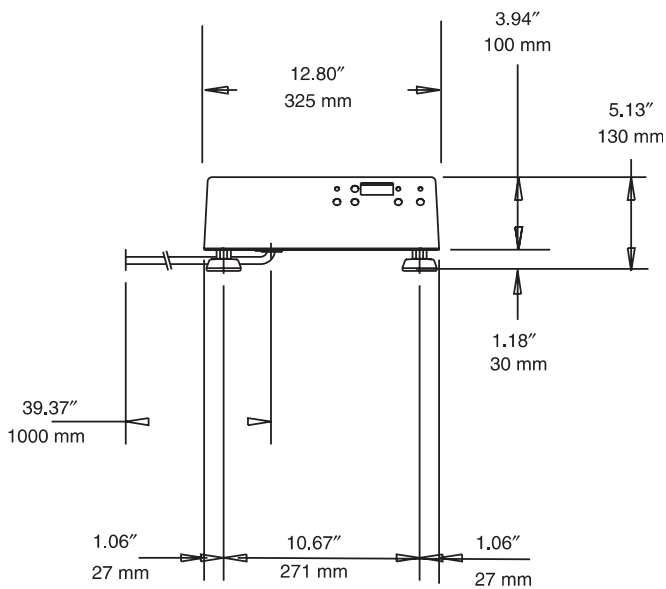
601610 (EDZLU) 208 V/1p/60Hz - 13.5A

**Front View**

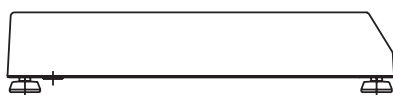


EC = Electrical connection

**Top View**



**Side View**



Libero Line Series  
Induction Cooktop

The company reserves the right to make modifications to the products without prior notice. All information correct at time of printing.

4-27-09