



Electrolux

Factory Parts Catalog

| | |
|---------------------------|---------------|
| Product No. | E36EC75HSS1 |
| | 38066423880S1 |
| Series | 36" icon |
| Color | stainless |
| Market | North America |
| Wiring Diagram | 318046841 |
| Owner's Guide | 318203609 |
| Installation Instructions | 318201413 |

Electrolux

Electrolux Major Appliances
North & Latin America
P.O. BOX 212378
AUGUSTA, GA 30917

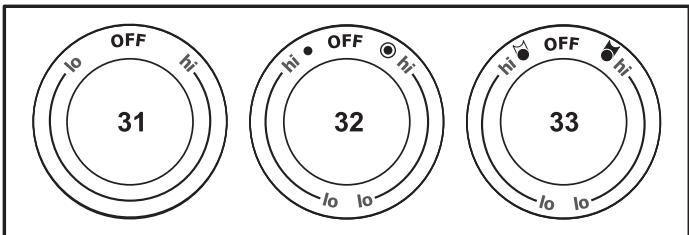
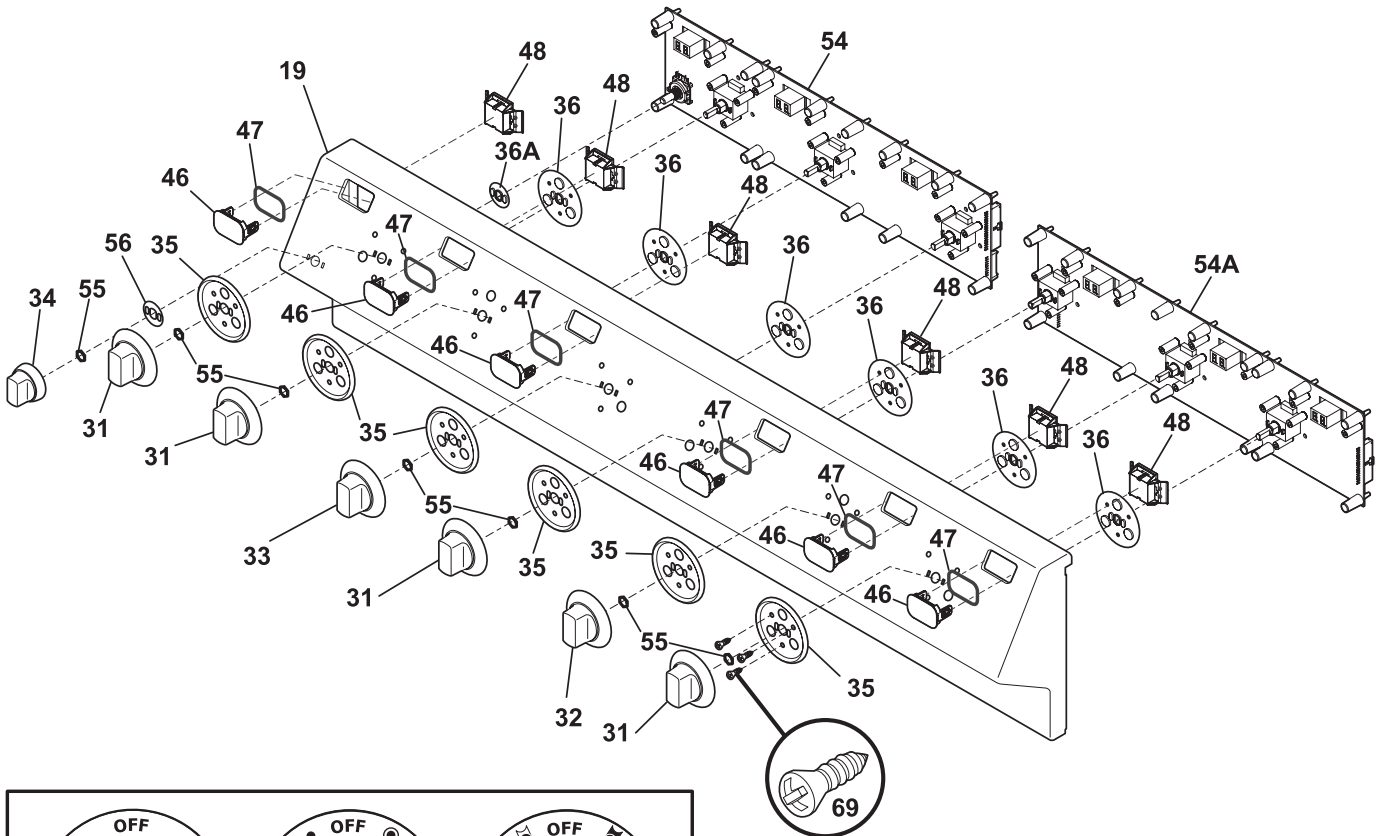
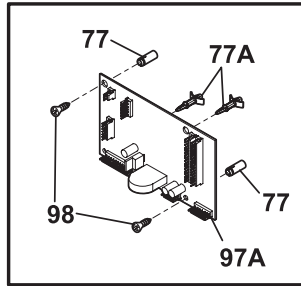
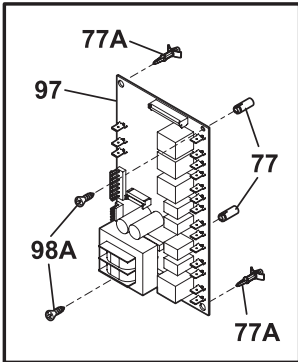
Publication No.
5995528972
08/11/17
(EN/SERVICE/ECL)
377

36" ELECTRIC COOK-TOP

Model No.
E36EC75H

Copyright © 2008 Electrolux Home Products, Inc.
All rights reserved.

CONTROL PANEL

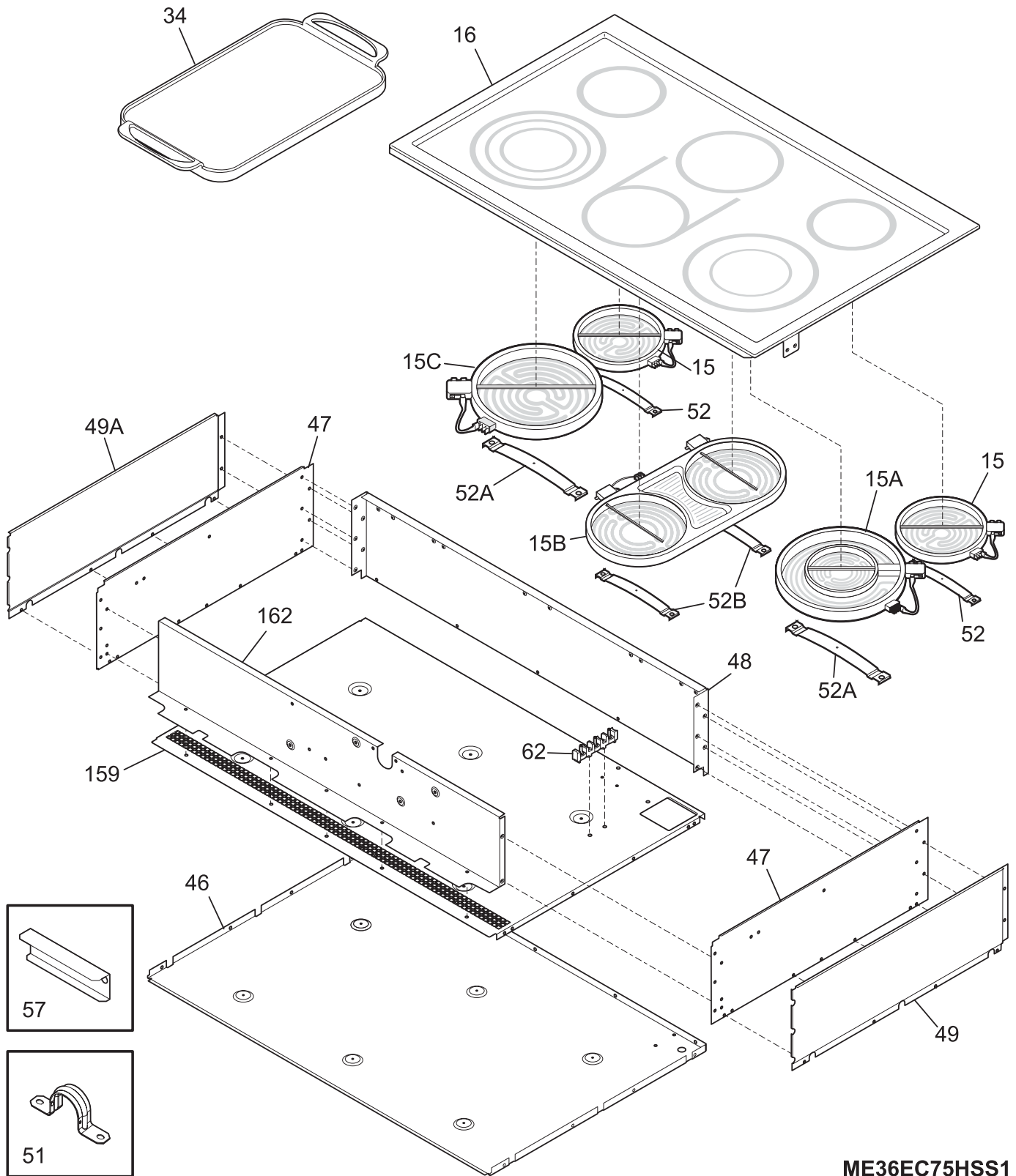


CE36EC75HSS1

CONTROL PANEL

| POS. NO | PART NO. | DESCRIPTION |
|---------|-------------|------------------------------------------------------|
| 19 | 7318234910 | Panel, control, stainless |
| * | 708016432 | Screw, truss head, 8-18 x 0.375 |
| 31 | 7318242250 | Knob, control, stainless, (4) |
| 32 | 7318242251 | Knob, control, stainless, dual |
| 33 | 7318242257 | Knob, control, stainless, bridge |
| 34 | 7318314705 | Knob, selector, stainless |
| 35 | 7318251905 | Skirt, (6) |
| 36 | 7318146305 | Bushing, (6) |
| 36A | 7318146307 | Bushing |
| 46 | 7318319020 | Lens, indicator light, (6) |
| 47 | 7318367102 | Clamp, lens, (6) |
| 48 | 7318337101 | Gasket, O'ring, (6) |
| 54 # | 7316541800 | Control Assembly, LH, w/potentiometer |
| 54A# | 7316541801 | Control Assembly, RH, w/potentiometer |
| 55 | 7316247700 | Nut, mounting |
| 55* | 7316247800 | Washer, lock, mtg |
| 56 | 7318086006 | Flat washer, stainless |
| 69 | 75304468081 | Screw, mounting, 6-32 x 3/8, (18) |
| 77 | 7316247900 | Spacer, power board |
| 77A | 7316114100 | Spacer |
| 97 # | 7316442113 | Board, power, relay |
| 97A# | 7316442053 | Board, user interface, (UIB) |
| 98 | 75304401490 | Screw, 6-18 x 1, (2) |
| 98A | 75304400427 | Screw, 6-20 x 1/2, (2) |
| * # | 7318083058 | Wiring Harness, interface, to power relay |
| * # | 7318402301 | Wiring Harness, interface, UIB board, to LH/RH cntrl |
| * # | 7318402302 | Wiring Harness, interface, UIB board, to RH control |
| * # | 7318402331 | Wiring Harness, interface, UIB board, to LH control |
| * | 75304400192 | retainer wire |
| * | 7318163602 | Cleaner, stainless steel |

MAIN TOP/SURFACE UNITS



ME36EC75HSS1

MAIN TOP/SURFACE UNITS

| POS. NO | PART NO. | DESCRIPTION |
|---------|-------------|---------------------------------------------|
| 15 # | 7318198830 | Element, surface, 6", 1200 W, (2) |
| 15A# | 7316465001 | Element-surface, 9", 3000W, radiant |
| 15B# | 7318258203 | Element, bridge, 1800/2600 |
| 15C# | 7318297804 | Element, surface, triple, 800/900/1000 |
| 16 | 7318185223 | Main Top Assy, frame/glass, stainless/black |
| * | 75303323130 | Screw, 8 x 1/4, (5) |
| 34 | 7316432200 | Griddle |
| 46 | 7318242806 | Panel, base |
| 47 | 7318241704 | Panel, side, (2) |
| 48 | 7318241804 | Panel, rear |
| 49 | 7318241902 | Panel, interior side, RH |
| 49A | 7318241903 | Panel, interior side, LH |
| 51 | 7318389600 | Bracket, conduit mtg. |
| 52 | 7318122006 | Spring, element mtg, small |
| 52A | 7318122010 | Spring, element mtg, 3000W |
| 52B | 7318122008 | Spring, element mtg, 1800W/3000W |
| 57 | 7318402801 | Plate, cover |
| 62 | 7316056000 | Terminal Block |
| 62* | 75303323144 | Nut, 10-32 |
| 62* | 75303323139 | Screw, 10-24 x 0.906 |
| 159 | 7318242951 | Panel, bottom |
| 162 | 7318245508 | Shield, heat |
| * # | 7318394455 | Box & wires assy |
| * # | 7318199491 | Harness, wiring, main |
| * | 75304400192 | retainer wire |
| * | 708016432 | Screw, truss head, 8-18 x 0.375 |
| * | 7318163602 | Cleaner, stainless steel |
| * | 7318163601 | Cleaner-cooktop |
| * | 7318406000 | Sponge, cleaning |
| * | 75303323140 | Screw, ground, 10-32 x 0.375 |

WIRING DIAGRAM

