



**Pasta Solutions  
Pasta Station  
2-Zone Induction Cooktop**

ITEM # \_\_\_\_\_

MODEL # \_\_\_\_\_

PROJECT NAME # \_\_\_\_\_

SIS # \_\_\_\_\_

AIA # \_\_\_\_\_



**Pasta Solutions  
Pasta Station 2-Zone Induction Cooktop**

168233 (7INTE1U)

2-Zone Induction Cooktop  
208 V/3p/60z - 31A

**Short Form Specification**

Item No. \_\_\_\_\_

Unit to be Electrolux 2-Zone Induction Cooktop. 2 induction cooking zones: 9" diameter, 3.2 kW each. Cooking surface in 1/4" thick ceramic glass sealed flush with 304 stainless steel encasing. 9-position energy regulator. Hi-limit heat protection. IPX 4 splash water protection (NEMA 4). The unit to be completely in AISI 304 stainless steel.

Covered by Electrolux Platinum Star® Service Program two-year parts and one-year labor warranty, installation start-up and performance check-up after one year from installation.

**Main features**

- 2-cooking zones: 9" diameter.
- 3.2 kW induction cooking power each zone.
- 90% thermal efficiency.
- Hi-limit heat protection.
- Automatic stand-by when no pan is on cooking surface
- 9-position energy regulator.

**Construction**

- 1/4" (6 mm) thick ceramic glass cooking surface.
- Ceramic glass cooking surface sealed flush with stainless steel encasing.
- Easy access to filter for cleaning (no tools required).
- All 21 gauge 304 stainless steel construction.
- IPX 4 splash water protection (NEMA 4).



Approval: \_\_\_\_\_

**Electrolux Professional, Inc.**

[www.electroluxusa.com/professional](http://www.electroluxusa.com/professional)

3225 SW 42nd Street, Fort Lauderdale, Florida, 33312 • Telephone Number: 866-449-4200 • Fax Number: 954-327-6789



**Pasta Solutions  
Pasta Station 2-Zone Induction Cooktop**



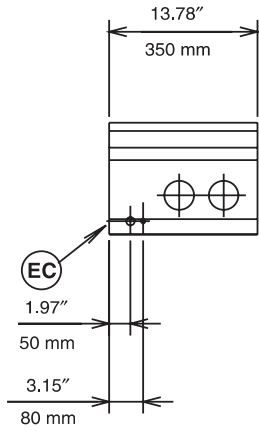
# Electrolux

## Pasta Solutions Pasta Station 2-Zone Induction Cooktop

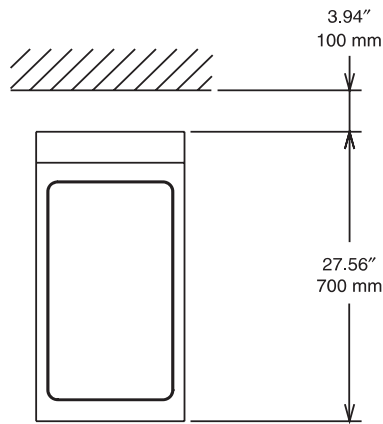
### Pasta Solutions

### Pasta Station 2-Zone Induction Cooktop

#### Front View

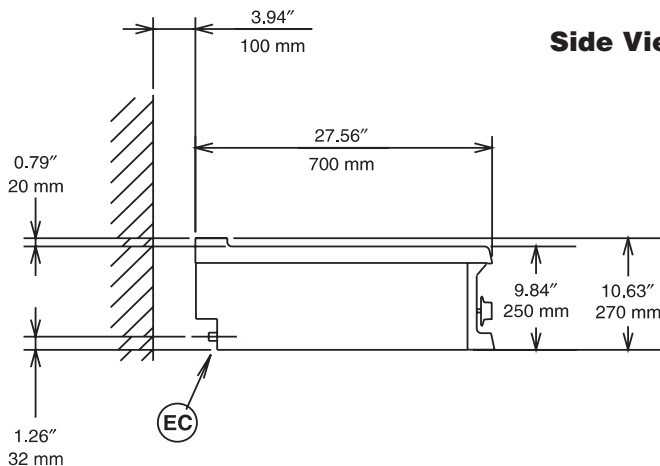


#### Top View



EC = Electrical connection

#### Side View



#### Electric

Supply voltage:

168233 (7INTE1U)

208 V/3p/60Hz - 31A

Connected load:

6.4 kW

Circuit breaker required:

#### Installation

Clearance:

4" (10 cm) from back.

#### Capacity

2 x 9" Diameter Cooking-Zones

2 x 3.2 kW Cooking-Zones

#### Key Information

Net weight:

57 lbs. (26 kg)

Shipping weight:

71 lbs. (32 kg)

Shipping width:

31.5" (800 mm)

Shipping height:

19.7" (500 mm)

Shipping depth:

16.6" (420 mm)

Shipping volume:

6 cu. ft. (0.17 m<sup>3</sup>)

Pasta Solutions  
Pasta Station 2-Zone Induction Cooktop

The company reserves the right to make modifications to the products without prior notice. All information correct at time of printing.

6-26-09