

GAS COOKTOP INSTALLATION INSTRUCTIONS



**INSTALLATION AND SERVICE MUST BE PERFORMED BY
A QUALIFIED INSTALLER.
IMPORTANT: SAVE FOR LOCAL ELECTRICAL INSPECTOR'S USE.
READ AND SAVE THESE INSTRUCTIONS FOR FUTURE REFERENCE.**

⚠ WARNING If the information in this manual is not followed exactly, a fire or explosion may result causing property damage, personal injury or death.

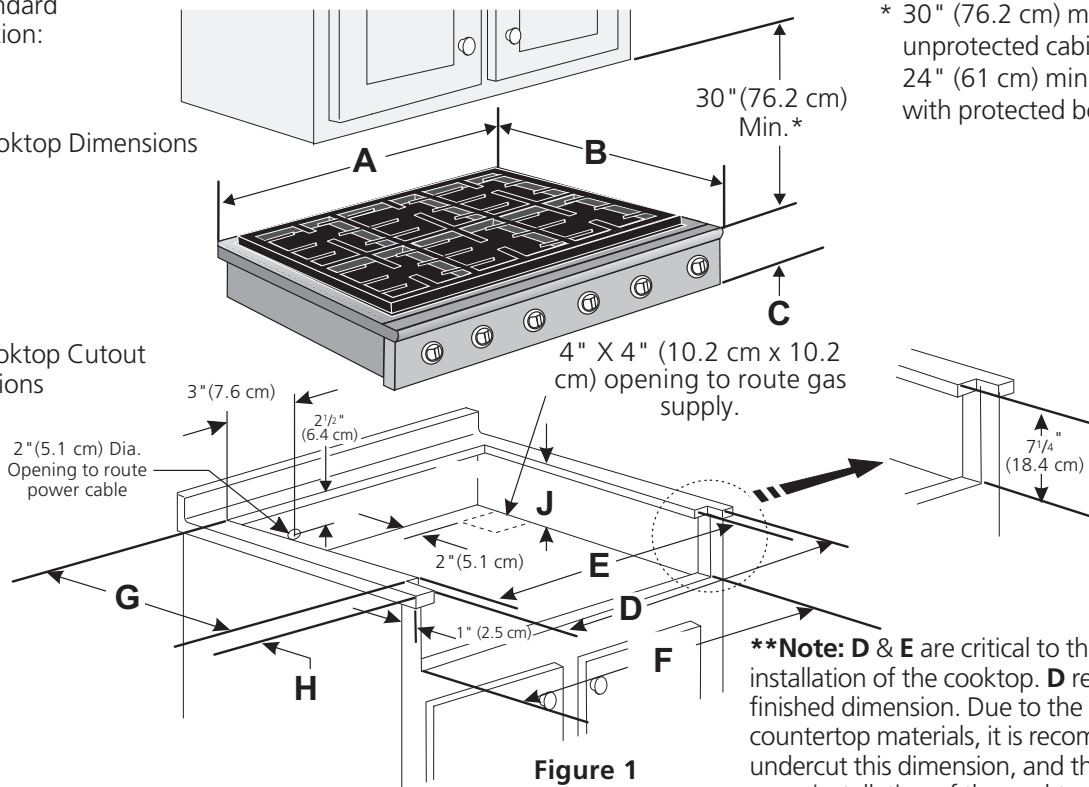
FOR YOUR SAFETY:

- Do not store or use gasoline or other flammable vapors and liquids in the vicinity of this or any other appliance.
- **WHAT TO DO IF YOU SMELL GAS:**
 - Do not try to light any appliance.
 - Do not touch any electrical switch; do not use any phone in your building.
 - Immediately call your gas supplier from a neighbor's phone. Follow the gas supplier's instructions.
 - If you cannot reach your gas supplier, call the fire department.
- Installation and service must be performed by a qualified installer, service agency or the gas supplier.

For Standard Installation:

Gas Cooktop Dimensions

Gas Cooktop Cutout Dimensions



* 30" (76.2 cm) min. for unprotected cabinet and 24" (61 cm) min. for cabinet with protected bottom surface.

Figure 1

MODEL	A. LENGTH	B. WIDTH	C. DEPTH	CUTOUT DIMENSIONS					COOKTOP H	J. DEPTH BELOW
				D**	LENGTH E**	F	WIDTH G			
36 (91.4)	35 ⁷ / ₈ (91.1)	25 (63.5)	7 ³ / ₄ (19.7)	35 ¹⁵ / ₁₆ (91.3)	35 ³ / ₁₆ (89.4)	35 ¹ / ₈ (89.2)	22 (55.9)	1 ¹ / ₈ (2.9) Max.	7 ¹ / ₂ (19.1)	
30 (76.2)	29 ⁷ / ₈ (75.9)	25 (63.5)	7 ³ / ₄ (19.7)	29 ¹⁵ / ₁₆ (76)	29 ³ / ₁₆ (74.1)	29 ¹ / ₈ (74)	22 (55.9)	1 ¹ / ₈ (2.9) Max.	7 ¹ / ₂ (19.1)	

All dimensions are stated in inches and (cm).

NOTE: Wiring diagrams for this cooktop are enclosed in this booklet

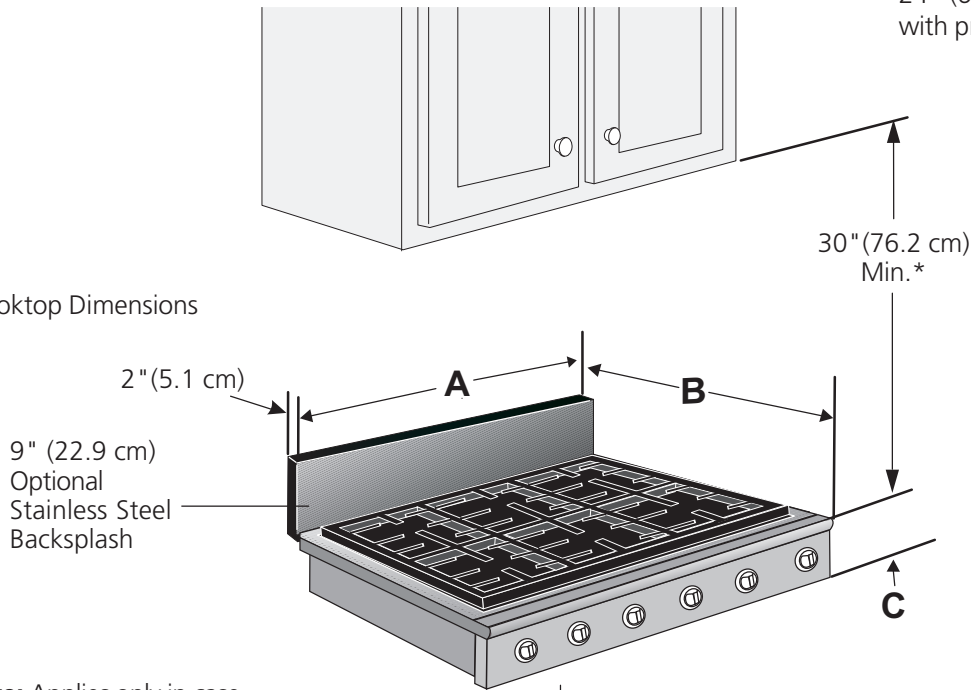
318201475 (0710) Rev. D
English - pages 1-8
Español - páginas 9-16
Français - pages 17-23
Wiring Diagram page - 24

GAS COOKTOP INSTALLATION INSTRUCTIONS

For Installation with the optional Stainless Steel Backsplash.

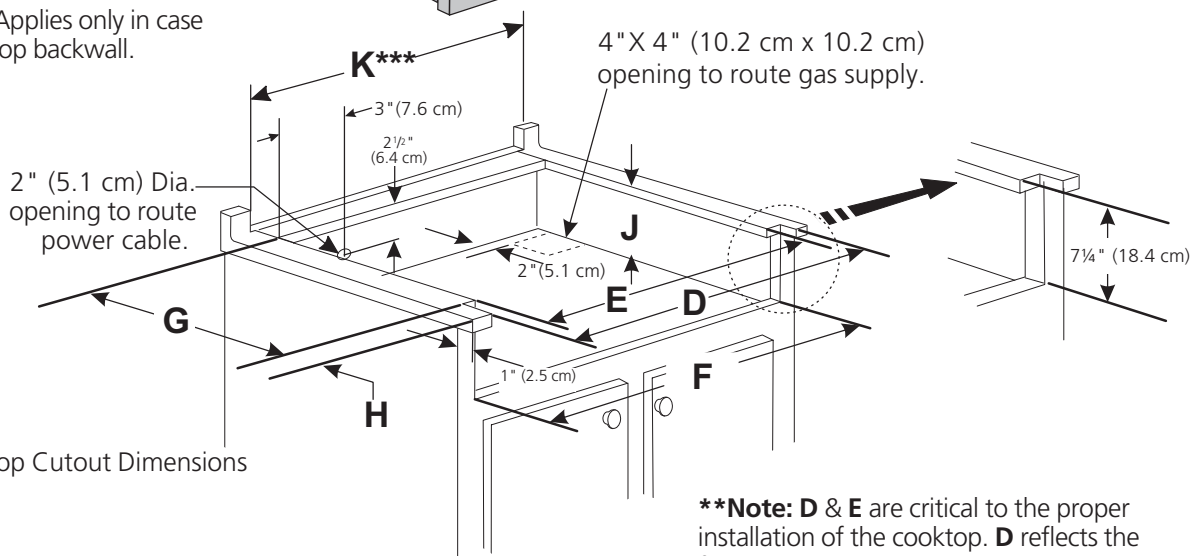
* 30" (76.2 cm) min. for unprotected cabinet and 24" (61 cm) min. for cabinet with protected bottom surface.

Gas Cooktop Dimensions



***Note: Applies only in case of countertop backwall.

Gas Cooktop Cutout Dimensions



**Note: D & E are critical to the proper installation of the cooktop. D reflects the finished dimension. Due to the variation in countertop materials, it is recommended to first undercut this dimension, and then adjust it upon installation of the cooktop.

Do not slide unit into cabinet cutout. Protruding screws on the bottom of unit may damage the bottom front finish.

Figure 2

MODEL	A. LENGTH	B. WIDTH	C. DEPTH	CUTOUT DIMENSIONS						J. DEPTH BELOW COOKTOP	K. COUNTERTOP BACKWALL CUTOUT
				LENGTH			WIDTH				
				D**	E**	F	G	H			
36 (91.4)	35 ⁷ / ₈ (91.1)	25 (63.5)	7 ³ / ₄ (19.7)	35 ¹⁵ / ₁₆ (91.3)	35 ³ / ₁₆ (89.4)	35 ¹ / ₈ (89.2)	22 (55.9)	1 ¹ / ₈ (2.9) Max.	7 ¹ / ₂ (19.1)	35 ¹⁵ / ₁₆ (91.3)	
30 (76.2)	29 ⁷ / ₈ (75.9)	25 (63.5)	7 ³ / ₄ (19.7)	29 ¹⁵ / ₁₆ (76)	29 ³ / ₁₆ (74.1)	29 ¹ / ₈ (74)	22 (55.9)	1 ¹ / ₈ (2.9) Max.	7 ¹ / ₂ (19.1)	29 ¹⁵ / ₁₆ (76)	

All dimensions are stated in inches and (cm).

GAS COOKTOP INSTALLATION INSTRUCTIONS

Important Notes to the Installer

1. Read all instructions contained in these installation instructions before installing the cooktop.
2. Remove all packing material before connecting the electrical supply to the cooktop.
3. Observe all governing codes and ordinances.
4. Be sure to leave these instructions with the consumer.
5. Note: For operation at 2000 ft. elevations above sea level, appliance rating shall be reduced by 4 percent for each additional 1000 ft.

Important Note to the Consumer

Keep these instructions with your Use and Care Guide for future reference.

Depth Adjustment Filler Kit

This cooktop is designed to replace existing unit. If the depth of your countertop opening is bigger than 7¼" (18.4 cm) and less than 8½" (21.6 cm) you can order a free filler kit by calling Service Center at 1-877-4ELECTROLUX (1-877-435-3287).

For 36" model : #903051-9010

For 30" model : #903051-9100

Optional Items Available:

- A 9" (22.9 cm) Stainless Steel Backsplash Kit #903048-9010 for 36" model or #903048-9100 for 30" model.
- A Black Knobs Kit #903049-9120 for 36" model or #903049-9110 for 30" model.

Those kits can be order through the Service Center at 1-877-4ELECTROLUX (1-877-435-3287). However all cost related to those kits will be at customer charges.

IMPORTANT SAFETY INSTRUCTIONS

Installation of this cooktop must conform with local codes or, in the absence of local codes, with the National Fuel Gas Code ANSI Z223.1/NFPA54—latest edition in the United States, or in Canada, with the Canadian Fuel Gas Code, CAN/CGA B149 and CAN/CGA B149.2.

- When installed in a manufactured (mobile) home installation must conform with the Manufactured Home Construction and Safety Standard, title 24 CFR, part 3280 [Formerly the Federal Standard for Mobile Home Construction and Safety, title 24, HUD (part 280)] or, when such standard is not applicable, the Standard for Manufactured Home Installation, ANSI/NCSBCS A225.1 or with local codes where applicable.

This cooktop has been design certified by CSA International. As with any appliance using gas and generating heat, there are certain safety precautions you should follow. You will find them in the **Use and Care Guide**, read it carefully.

- **Be sure your cooktop is installed and grounded properly by a qualified installer or service technician.**
- **This cooktop must be electrically grounded in accordance with local codes or, in their absence, with the National Electrical Code ANSI/NFPA No. 70—latest edition in the United States, or in Canada, with the Canadian Electrical Code, CSA C22.1 Part 1.**
- **The burners can be lit manually during an electrical power outage. To light a burner, hold a lit match to the burner head, then slowly turn the Surface Control knob to LITE. Use caution when lighting burners manually.**
- **Do not store items of interest to children in cabinets above the cooktop.** Children could be seriously burned climbing on the cooktop to reach items.
- **To eliminate the need to reach over the surface burners, cabinet storage space above the burners should be avoided.**
- **Adjust surface burner flame size so it does not extend beyond the edge of the cooking utensil.** Excessive flame is hazardous.
- **Never use your cooktop for warming or heating the room.** Prolonged use of the cooktop without adequate ventilation can be hazardous.
- **Do not store or use gasoline or other flammable vapors and liquids near this or any other appliance.** Explosions or fires could result.

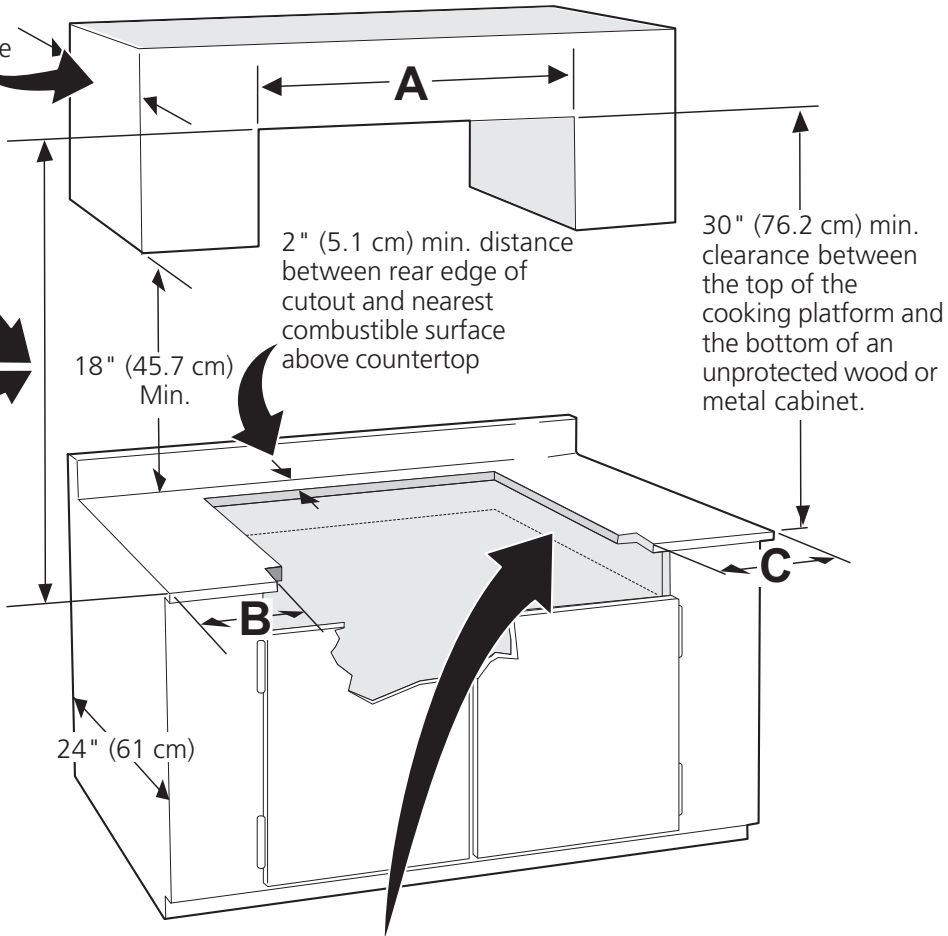
⚠ WARNING The electrical power to the cooktop must be shut off while gas line connections are being made. Failure to do so could result in serious injury or death.

GAS COOKTOP INSTALLATION INSTRUCTIONS

13" (33 cm) max. depth for cabinet installed above cooktop

30" (76.2 cm) Min. Clearance Between the Top of the Cooking Platform and the Bottom of an Unprotected Wood or Metal Cabinet

24" (61 cm) Min. when Bottom of Wood or Metal Cabinet is Protected by Not Less Than 1/8" Flame Retardant Millboard Covered With Not Less Than No. 28 MGS Sheet Steel, 0.015" (0.4 mm) Stainless Steel, 0.024" (0.6 mm) Aluminum or 0.020" (0.5 mm) Copper



It is not recommended to use drawer underneath cooktop.

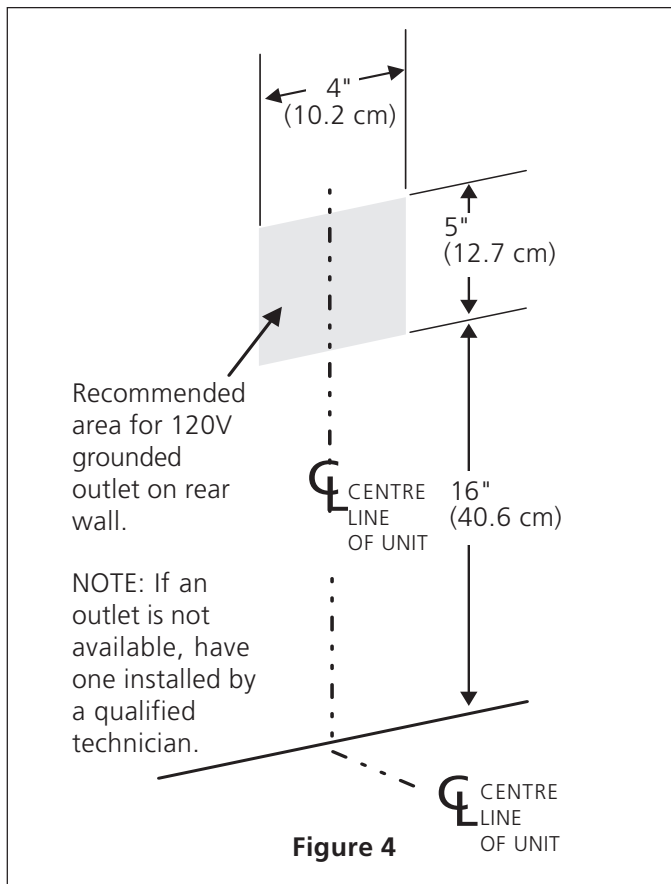
CAUTION To eliminate the risk of burns or fire from reaching over heated surfaces, cabinet storage space located above the cooktop should be avoided. If cabinet storage is provided, risk can be reduced by installing a range hood that projects horizontally a minimum of 7" (17.8 cm) beyond the bottom of the cabinets.

MODEL	A	B. Minimum Clearance from Left Side	C. Minimum Clearance from Right Side
36" (91.4 cm)	36" (91.4 cm)	9" (22.9 cm)	9" (22.9 cm)
30" (76.2 cm)	30" (76.2 cm)	5" (12.7 cm)	5" (12.7 cm)

Figure 3 – CABINET DESIGN

GAS COOKTOP INSTALLATION INSTRUCTIONS

Wall Outlet Location



Provide an Adequate Gas Supply

This cooktop is designed to operate on natural gas at 4" (10.2 cm) of manifold pressure only.

A pressure regulator is connected in series with the manifold on the cooktop and must remain in series with the supply line.

For proper operation, the maximum inlet pressure to the regulator must be no more than 14" (35.6 cm) of water column (W.C.) pressure.

For checking the regulator, the inlet pressure must be at least 1" (2.5 cm) (or 2.5 kPa) greater than the regulator manifold pressure setting. The regulator is set for 4" (10.2 cm) of manifold pressure, the inlet pressure must be at least 5" (12.7 cm).

The gas supply line to the range should be 1/2" (1.3 cm) or 3/4" (1.9 cm) pipe.

LP/Propane Gas Conversion

This appliance can be used with Natural gas or LP/Propane gas. It is shipped from the factory for use with natural gas.

A kit for converting to LP gas is supplied with your cooktop. The kit is marked "FOR LP/PROPANE GAS CONVERSION".

The conversion must be performed by a qualified service technician in accordance with the kit instructions and all local codes and requirements. Failure to follow instructions could result in serious injury or property damage. The qualified agency performing this work assumes responsibility for the conversion.

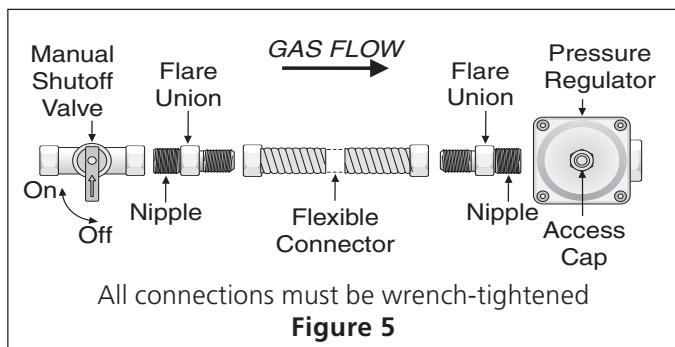
WARNING Failure to make the appropriate conversion can result in serious personal injury and property damage.

Important: Remove all packing material and literature from cooktop before connecting gas and electrical supply to cooktop.

Install Pressure Regulator

Install the pressure regulator with the arrow on the regulator pointing up toward the unit in a position where you can reach the access cap.

WARNING Do not make the connection too tight. The regulator is die cast. Overtightening may crack the regulator resulting in a gas leak and possible fire or explosion.



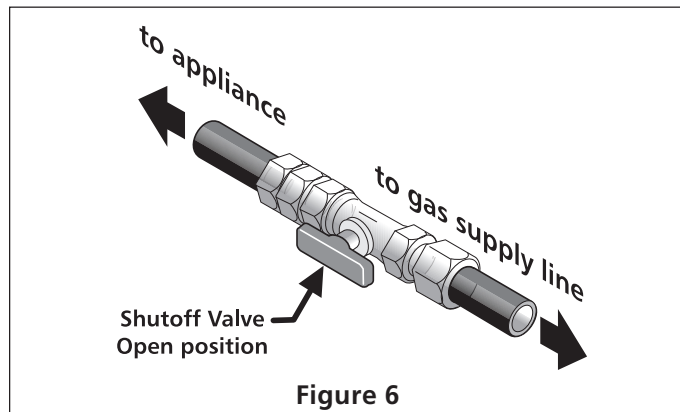
Assemble the flexible connector from the gas supply pipe to the pressure regulator in the following order:

1. manual shutoff valve
2. 1/2" (1.3 cm) nipple
3. 1/2" (1.3 cm) flare union adapter
4. flexible connector
5. 1/2" (1.3 cm) flare union adapter
6. 1/2" (1.3 cm) nipple
7. pressure regulator

Use pipe-joint compound made for use with Natural and LP/Propane gas to seal all gas connections. If flexible connectors are used, be certain connectors are not kinked.

GAS COOKTOP INSTALLATION INSTRUCTIONS

The supply line should be equipped with an approved shutoff valve. This valve should be located in the same room as the cooktop and should be in a location that allows ease of opening and closing. Do not block access to the shutoff valve. The valve is for turning on or shutting off gas to the appliance.



Once the regulator is in place, open the shutoff valve in the gas supply line. Wait a few minutes for gas to move through the gas line.

Check for leaks. After connecting the cooktop to the gas supply, check the system for leaks with a manometer. If a manometer is not available, turn on the gas supply and use a liquid leak detector (or soap and water) at all joints and connections to check for leaks.

⚠ WARNING Do not use a flame to check for leaks from gas connections. Checking for leaks with a flame may result in a fire or explosion.

Tighten all connections if necessary to prevent gas leakage in the cooktop or supply line.

Check alignment of control knob valves after connecting the cooktop to the gas supply to be sure the cooktop manifold pipe has not moved. A misalignment could cause the valve stems to rub on the control panel, resulting in a gas leak at the valve.

Disconnect this cooktop and its individual shutoff valve from the gas supply piping system during any pressure testing of that system at test pressures greater than 1/2 psig (3.5 kPa or 14" (35.6 cm) water column).

Isolate the cooktop from the gas supply piping system by closing its individual manual shutoff valve during any pressure testing of the gas supply piping system at test pressures equal to or less than 1/2 psig (3.5 kPa or 14" (35.6 cm) water column).

Electrical Requirements

120 volt, 60 Hertz, properly grounded branch circuit protected by a 15 amp circuit breaker or time delay fuse.

Do not use an extension cord with this cooktop.

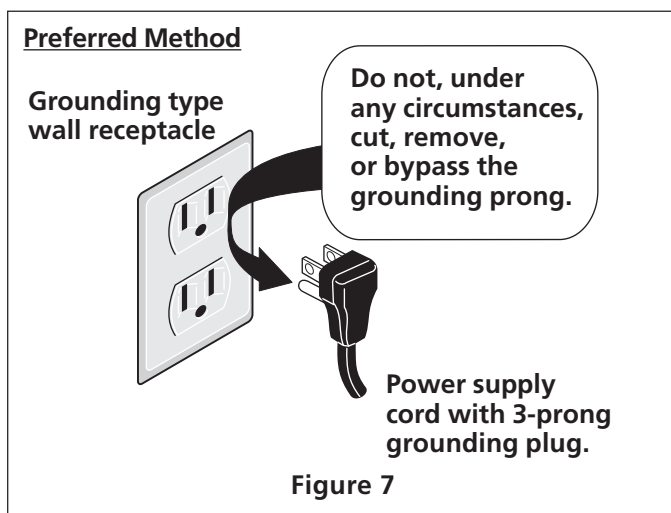
Grounding Instructions

IMPORTANT Please read carefully.

For personal safety, this appliance must be properly grounded.

The power cord of this appliance is equipped with a 3-prong (grounding) plug which mates with a standard 3-prong grounding wall receptacle (see Figure 7) to minimize the possibility of electric shock hazard from the appliance.

The wall receptacle and circuit should be checked by a qualified electrician to make sure the receptacle is properly grounded.



Where a standard 2-prong wall receptacle is installed, it is the personal responsibility and obligation of the consumer to have it replaced by a properly grounded 3-prong wall receptacle.

Do not, under any circumstances, cut or remove the third (ground) prong from the power cord.

⚠ WARNING Disconnect electrical supply cord from wall receptacle before servicing cooktop.

Cooktop Installation

1. Visually inspect the cooktop for damage.
2. If you are installing the optional Stainless Steel backsplash, first fix it at the back of the cooktop using the screws supplied with the kit and follow the instructions attached.
3. Set the cooktop into the countertop cutout.

NOTE: Do not use caulking compound; cooktop should be removable for service when needed.

GAS COOKTOP INSTALLATION INSTRUCTIONS

Check Operation

Refer to the **Use and Care Guide** packaged with the cooktop for operating instructions and for care and cleaning of your cooktop.

CAUTION Do not touch the burners. They may be hot enough to cause burns.

1. Burner Bases and Burner Caps

This range is equipped with sealed burners as shown (Figure 8). All pieces are at their place. Take note where they are. **Remove all packaging material located under the Dual Surface burner head.** Make sure the burner is properly aligned and leveled.

NOTE: There are no burner adjustments necessary on this range.

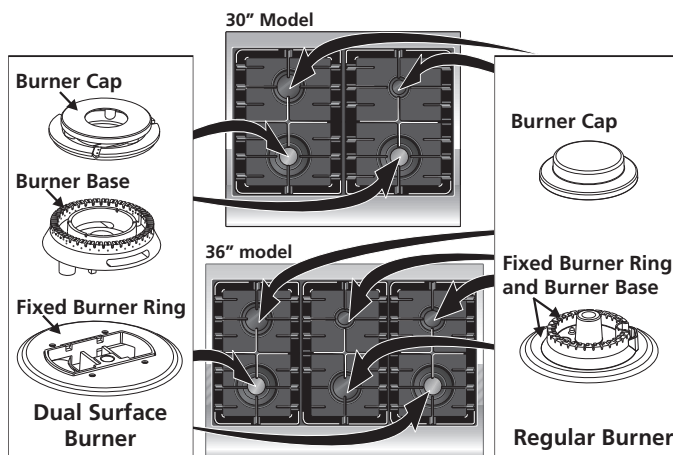


Figure 8

2. Turn on Electrical Power and Open Main Shutoff Gas Valve

3. Check the Igniters

Operation of electric igniters should be checked after range and supply line connectors have been carefully checked for leaks and range has been connected to electric power. To check for proper lighting:

- Push in and turn a surface burner knob to the LITE position. All electronic surface igniters will spark at the same time. However, only the burner you are turning on will ignite.
- The surface burner should light once the flow of gas reached the surface burner. Each burner should light within four (4) seconds in normal operation after air has been purged from supply lines. Visually check that burner has lit.
- Once the burner lights, the control knob should be rotated out of the LITE position.

There are separate ignition devices for each burner. Try each knob separately until all burner valves have been checked.

4. Adjust the "LOW" Setting of Regular Burner (see figure 8) on the Surface Burner Valves (Figure 9):

- Push in and turn control to LITE until burner ignites.
- Quickly** turn knob to LOWEST POSITION.
- If burner goes out, reset control to OFF.
- Remove the surface burner control knob and decorative ring.
- Insert a thin-bladed screwdriver into the hollow valve stem and engage the slotted screw inside. Flame size can be increased or decreased by turning the screw. Turn counterclockwise to increase flame size. Turn clockwise to decrease flame size. Adjust flame until you can quickly turn knob from LITE to LOWEST POSITION without extinguishing the flame. Flame should be as small as possible without going out.

Note: Air mixture adjustment is not required on surface burners.

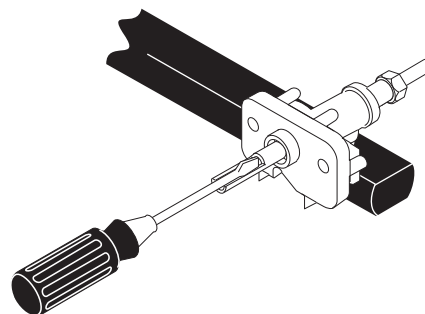


Figure 9

GAS COOKTOP INSTALLATION INSTRUCTIONS

5. Adjust the "LOW" Setting of the Dual Burner (see Figure 8) on the Surface Burner Valve (Figure 10):

Note: On the dual valve the low setting of each portion (rear portion of bridge burner and the center portion of bridge burner) should be adjusted individually.

- Push in and turn control to LITE until the rear portion of the bridge burner ignites only.
- Quickly** turn knob to LOWEST POSITION.
- If burner goes out, reset control to OFF.
- Remove the surface burner control knob.
- The inner portion of the dual burner flame size can be increased or decreased by turning screw **A** (see Figure 19). Use screw **B** to adjust the flame size of the outer portion of the dual burner. Turn counterclockwise the screw to increase flame size. Turn clockwise the screw to decrease flame size. Adjust flame until you can quickly turn knob from LITE to LOWEST POSITION without extinguishing the flame. Flame should be as small as possible without going out.

Note: Air mixture adjustment is not required on surface burners.

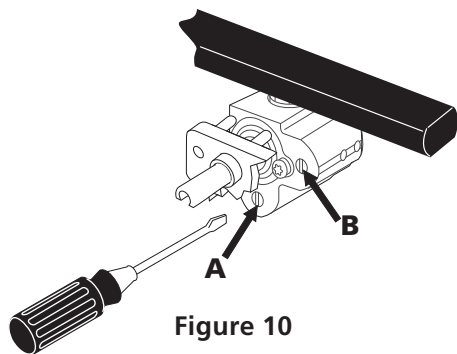


Figure 10

When All Hookups are Complete

Make sure all controls are left in the OFF position.

Before You Call for Service

Read the Before You Call for Service Checklist and operating instructions in your **Use and Care Guide**. It may save you time and expense. The list includes common occurrences that are not the result of defective workmanship or materials in this appliance.

Refer to your **Use and Care Guide** for Electrolux Service phone numbers, or call **1-877-4ELECTROLUX (1-877-435-3287)**.

INSTRUCCIONES DE INSTALACION PARA PLANCHA DE COCINAR A GAS



LA INSTALACIÓN Y EL SERVICIO DEBEN SER REALIZADOS POR UN INSTALADOR CALIFICADO. IMPORTANTE: GUARDE ESTAS INSTRUCCIONES PARA USO DEL INSPECTOR ELÉCTRICO LOCAL. LEA Y GUARDE ESTAS INSTRUCCIONES PARA FUTURAS REFERENCIAS

⚠ ADVERTENCIA Si todas las instrucciones de éste manual no son observadas a la letra, se puede ocurrir incendios o explosiones que pueden causar daños materiales, lesiones o la muerte.

PARA SU SEGURIDAD:

- No almacene o utilice gasolina u otros vapores y líquidos inflamables cerca de éste o cualquier otro artefacto.
- **QUE HACER SI HAY FUGAS DE GASÆ**
 - No intente de encender ningún artefacto
 - No toque ningún interruptor eléctrico; no utilice ningún aparato telefónico en su edificio.
 - Llame inmediatamente el abastecedor de gas desde el teléfono de un vecino. Siga las instrucciones del abastecedor de gas.
 - En caso que no puede contactar el abastecedor de gas llame al departamento de bomberos.
- La instalación y el servicio telefónico deben ser realizados por un instalador calificado, por un servicio tecnico certificado o por el abastecedor de gas.

Para la Instalación Estándar:

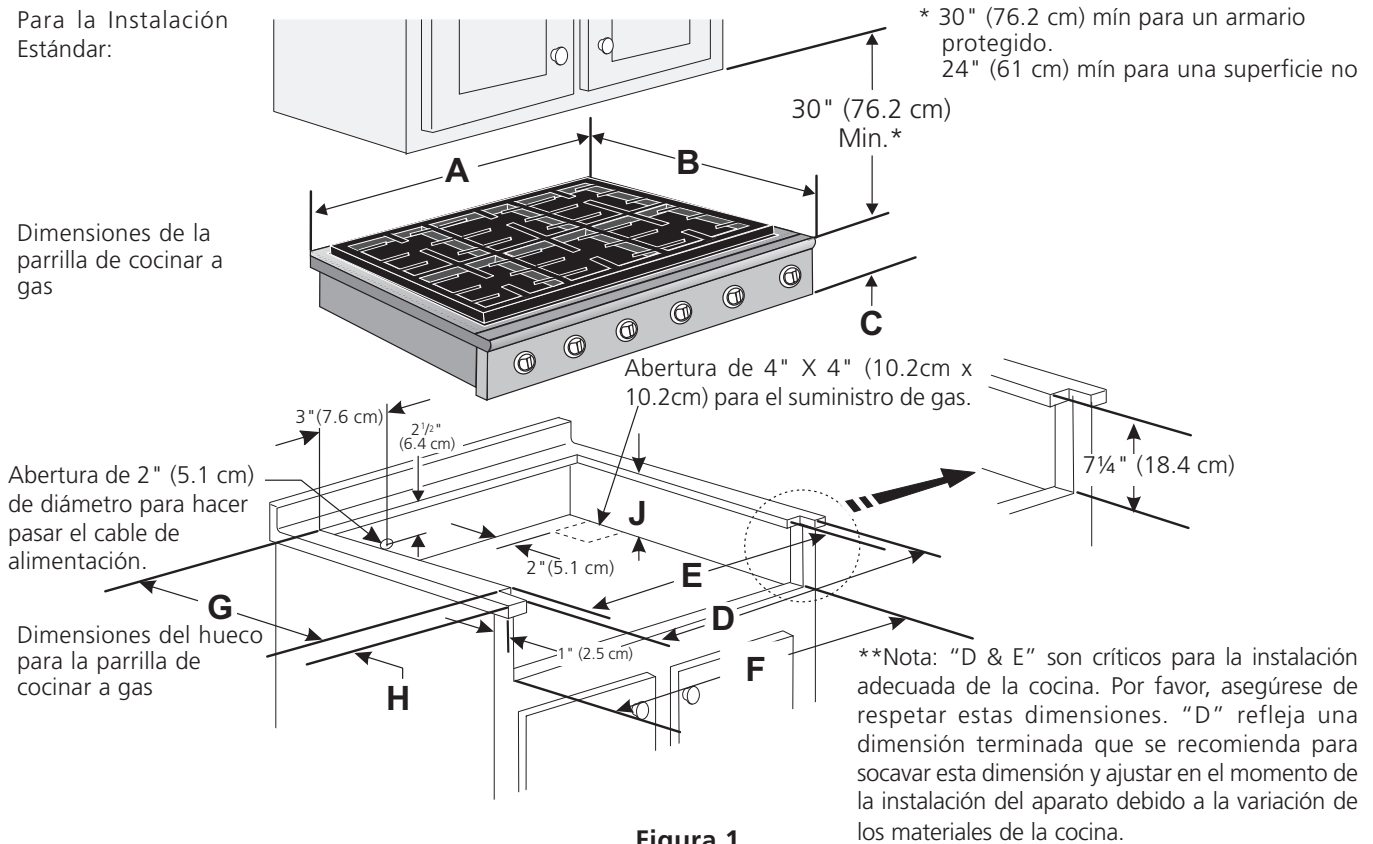


Figura 1

MODELO	A. ALTURA	B. ANCHURA	C. PROFUNDIDAD	DIMENSIONES DEL HUECO					J. PROFUNDIDAD POR DEBAJO DE LA PLANCHA DE COCINAR
				D**	ALTURA E**	F	ANCHURA G	H	
36 (91.4)	35 7/8 (91.1)	25 (63.5)	7 3/4 (19.7)	35 15/16 (91.3)	35 3/16 (89.4)	35 1/8 (89.2)	22 (55.9)	1 1/8 (2.9) Max.	7 1/2 (19.1)
30 (76.2)	29 7/8 (75.9)	25 (63.5)	7 3/4 (19.7)	29 15/16 (76)	29 3/16 (74.1)	29 1/8 (74)	22 (55.9)	1 1/8 (2.9) Max.	7 1/2 (19.1)

Todas las dimensiones se dan en pulgadas (cm). La dimensión F incluye un espacio de 5" por debajo de la plancha de cocinar para la conexión de la línea de suministro de gas.

NOTA: Se adjunta los diagramas de cables de esta plancha de cocinar con el libreta.

318201475 (0710) Rev. D

English - pages 1-8

Español - páginas 9-16

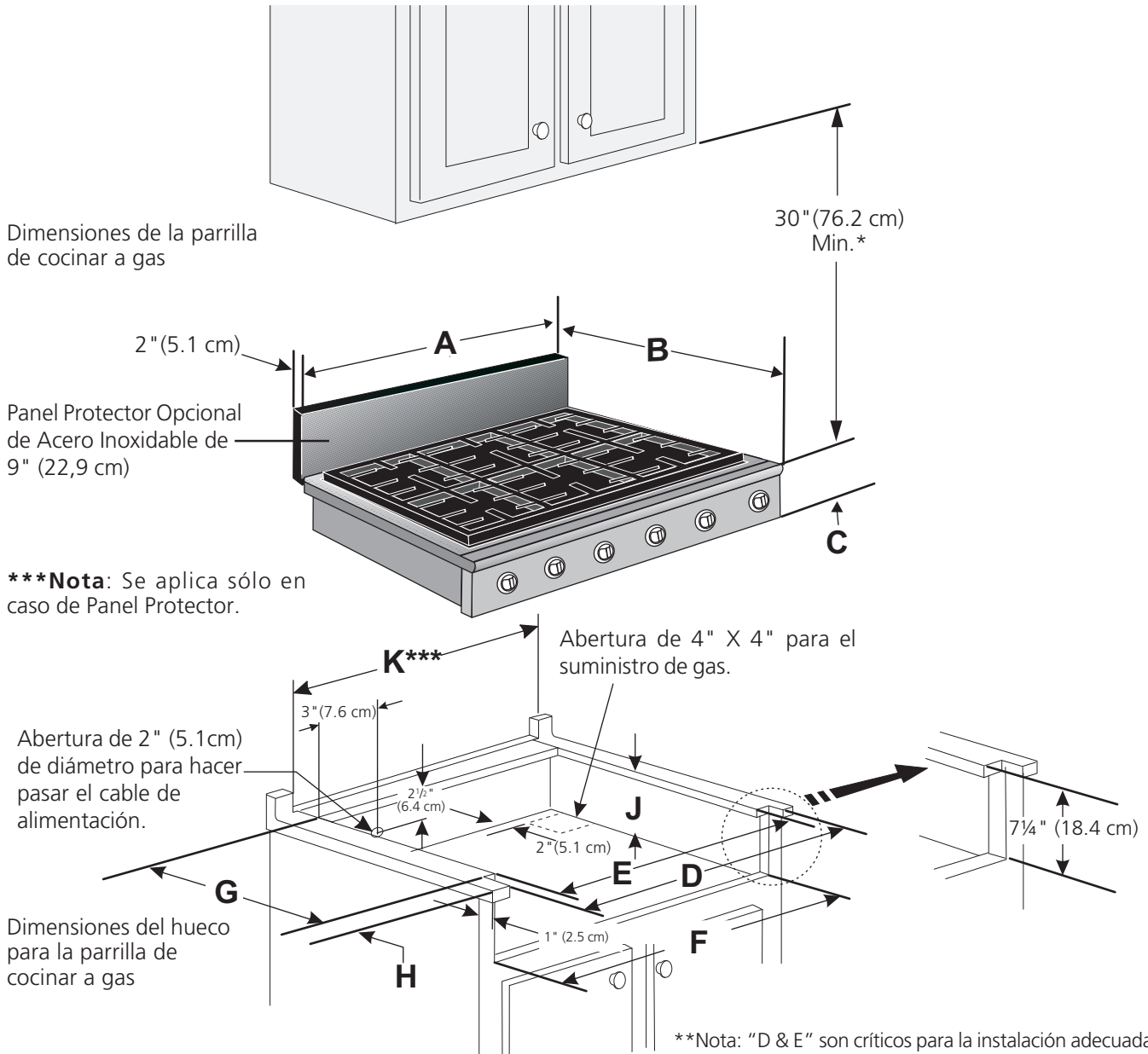
Français - pages 17-23

Diagrama de la instalación alámbrica página - 24

INSTRUCCIONES DE INSTALACION PARA PLANCHA DE COCINAR A GAS

Para ver la Instalación con el Panel Protector Opcional de Acero Inoxidable.

* 30" (76.2 cm) mín para un armario protegido.
24" (61 cm) mín para una superficie no protegida.



No deslizar dentro del hueco de la alacena. Los tornillos que sobresalen de la parte inferior de la unidad pueden dañar el acabado inferior del frente.

Figura 2

MODELO	A. ALTURA	B. ANCHURA	C. PROFUNDIDAD	DIMENSIONES DEL HUECO					J. PROFUNDIDAD POR DEBAJO DE LA PLANCHA DE COCINAR	K. HUECO DEL PANEL PROTECTOR
				ALTURA		F	ANCHURA			
				D**	E**		G	H		
36 (91.4)	35 ⁷ / ₈ (91.1)	25 (63.5)	7 ³ / ₄ (19.7)	35 ¹⁵ / ₁₆ (91.3)	35 ³ / ₁₆ (89.4)	35 ¹ / ₈ (89.2)	22 (55.9)	1 ¹ / ₈ (2.9) Max.	7 ¹ / ₂ (19.1)	35 ¹⁵ / ₁₆ (91.3)
30 (76.2)	29 ⁷ / ₈ (75.9)	25 (63.5)	7 ³ / ₄ (19.7)	29 ¹⁵ / ₁₆ (76)	29 ³ / ₁₆ (74.1)	29 ¹ / ₈ (74)	22 (55.9)	1 ¹ / ₈ (2.9) Max.	7 ¹ / ₂ (19.1)	29 ¹⁵ / ₁₆ (76)

Todas las dimensiones se dan en pulgadas (cm).

INSTRUCCIONES DE INSTALACION PARA PLANCHA DE COCINAR A GAS

Notas importantes para el instalador:

1. Lea todas las instrucciones de instalación antes de realizar la instalación de la plancha de cocinar.
2. Retire todos los artículos de embalaje antes de realizar las conexiones eléctricas a la plancha de cocinar.
3. Observe todos los códigos o reglamentos estatales.
4. Asegúrese que el consumidor tenga estas instrucciones.
5. NOTA: Para la utilización a más de 2 000 pies de altura, la potencia del aparato deberá ser reducida de 4 por ciento a cada 1 000 pies adicionales.

Notas importantes para el consumidor

Guarde todas las instrucciones con su manual del usuario para futuras referencias.

Juego de Relleno para Ajuste de Profundidad

Esta cocina ha sido diseñada para reemplazar la unidad existente. Si la profundidad de la abertura de su cocina es mayor que 7¼" (18,4 cm.) y menor que 8½" (21,6 cm.), puede ordenar un juego de relleno gratuito llamando al Centro de Servicio al Cliente al 1-877-4ELECTROLUX (1-877-435-3287).

Para modelo 36" : #903051-9010

Para modelo 30" : #903051-9100

Accesorios Opcionales Disponibles:

- Juego de Panel Protector Opcional de Acero Inoxidable de 9" (22,9 cm) #903048-9010 para modelo 36" o #903048-9100 para modelo 30".
- Juego de Perillas Negras #903049-9120 para modelo 36" o #903049-9110 para modelo 30".

Se puede ordenar a través del Centro de Servicios, llamando al 1-877-4ELECTROLUX (1-877-435-3287). Todos los costos relacionados con estos juegos se facturarán al cliente.

INSTRUCCIONES DE SEGURIDAD IMPORTANTES

La instalación de esta plancha de cocinar debe realizarse en conformidad con los códigos locales o, si estos no existen, con el National Fuel Gas Code ANSI Z223.1/ NFPA54 - última edición en los Estados Unidos, o en Canada, con el Canadian Fuel Gas Code, CAN/CGA B149 y CAN/CGA B149.2.

- La instalación de aparatos diseñados para instalación en casas prefabricadas (móviles) debe conformar con el Manufactured Home Construction and Safety Standard, título 24CFR, parte 3280 [Anteriormente el Federal Standard for Mobil Home Construction and Safety,

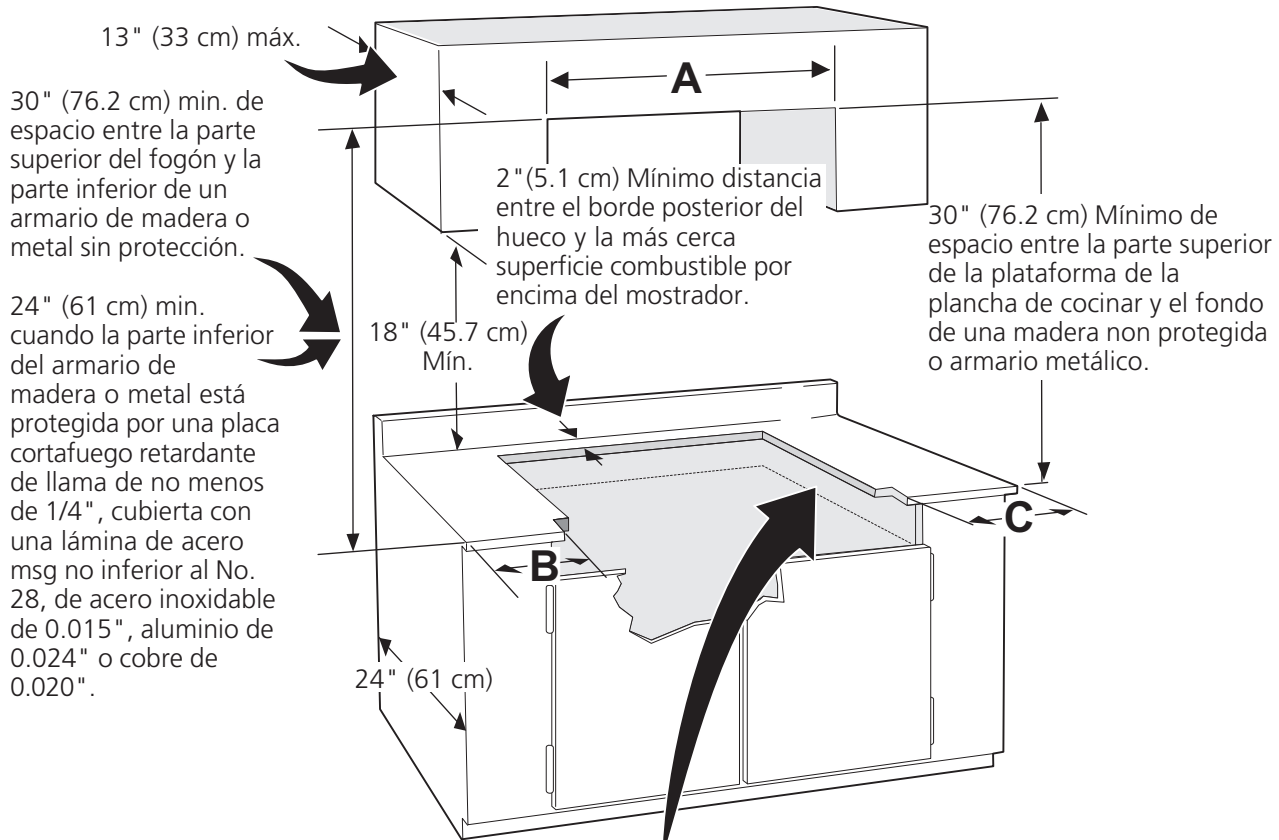
título 24, HUD (parte 280)] o cuando tal estándar no se aplica, el Standard for Manufactured Home Installation, ANSI/NCSBCS 225.1, o con los códigos locales.

El diseño de esta plancha de cocinar cuenta con la aprobación del CSA internacional. Al igual que todos los artefactos a gas que generan calor, deben seguirse ciertas medidas de seguridad. Vienen con el Manual del Usuario. Lea atentamente el manual.

- **Asegúrese que la plancha de cocinar sea instalada y puesta a tierra correctamente por un instalador o técnico calificado.**
- **La plancha de cocinar debe conectarse eléctricamente a tierra de acuerdo con los códigos locales o, de no existir, con el código eléctrico ANSI/NFPA No. 70 - última edición en los Estados Unidos, or in Canada, con el Canadian Electrical Code, CSA C22.1 Parte 1.**
- **Los quemadores pueden encenderse manualmente durante una interrupción del suministro eléctrico. Para encender un quemador, mantenga un fósforo encendido en el extremo del quemador, luego gire suavemente la perilla hasta LITE (encendido). Tenga cuidado al encender los quemadores en forma manual.**
- **No deje artículos que interesan los niños en los armarios que están sobre la la plancha de cocinar.** Les podría causar quemaduras graves si intentan subirse para alcanzarlos.
- **Para eliminar el riesgo de extender por encima de los quemadores superiores, debería evitar el espacio de almacenamiento del armario, localizado por encima de estos quemadores**
- **Gradue el tamaño de la llama de modo que no sobrepase el borde del utensilio de cocina.** Demasiada llama es peligrosa.
- **No utilice jamás la cocina como calefactor.** El uso prolongado de la cocina sin la ventilación adecuada puede ser peligroso.
- **Mantenga el área cerca de este artefacto o de cualquier otro artefacto despejada de sustancias combustibles, gasolina y otros líquidos inflamables.** Se puede ocurrir incendios o explosiones.

⚠ ADVERTENCIA El suministro eléctrico a la plancha de cocinar debe de ser cerrado durante las conexiones a la línea. De lo contrario se puede resultar lesiones graves o la muerte.

INSTRUCCIONES DE INSTALACION PARA PLANCHA DE COCINAR A GAS



No es recomendable utilizar cajones debajo de la estufa.

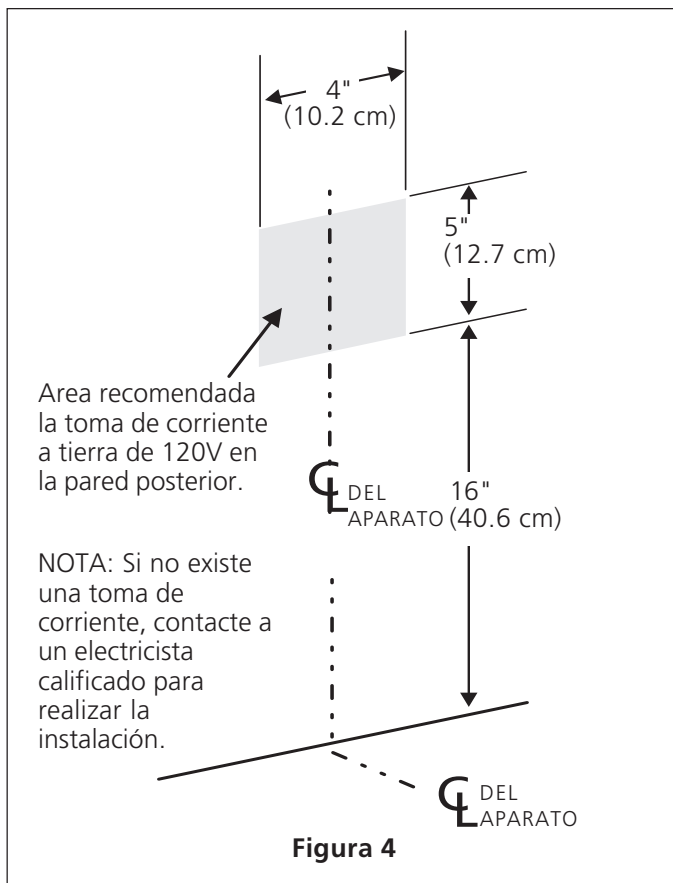
⚠ PRECAUCION Para eliminar el riesgo de alargar sobre los unidades en calentamiento de la superficie, debería evitarse el espacio de almacenamiento del armario, ubicado sobre las unidades de la superficie. Si se cuenta con este espacio, se puede disminuir el peligro instalando una cubierta de cocina que se extienda horizontalmente en 7" (17.8 cm) mínimo por sobre la parte inferior delantera en los armarios.

MODEL DE PLANCHA DE COCINAR DE	A	B. Espacio mínimo desde el lado izquierdo	C. Espacio mínimo desde el lado derecho
36" (91.4 cm)	36" (91.4 cm)	9" (22.9 cm)	9" (22.9 cm)
30" (76.2 cm)	30" (76.2 cm)	5" (12.7 cm)	5" (12.7 cm)

Figura 3 – DESEÑO DEL ARMARIO

INSTRUCCIONES DE INSTALACION PARA PLANCHA DE COCINAR A GAS

Ubicación de la toma de corriente de la pared



Provea un adecuado suministro de gas

Esta plancha de cocinar está diseñada para utilizar gas natural de 4" (10.2 cm) de presión múltiple solamente.

Se conecta un regulador de presión en serie al múltiple de la plancha de cocinar y debe permanecer en serie con la línea de suministro de gas.

Para que manejo correcto, la presión de entrada máxima hacia el regulador no debe exceder 14" (35.6 cm) de presión de la columna de agua.

Para controlar el regulador, la presión de entrada debe ser de al menos 1" (25 cm) (o 2.5 Kpa) mayor que el ajuste de la presión del múltiple del regulador. El regulador se ajusta a 4" (10.2 cm) de la presión del múltiple, la presión de entrada debe de ser de al menos 5" (12.7 cm).

La línea de suministro de gas por el horno debería tener un tubo de 1/2" (1.3 cm) o de 3/4" (1.9 cm).

Conversión de gas propano/licuado

Esta plancha de cocinar ha sido diseñada para utilizar gas natural o gas propano. Ha sido fijada en la fábrica para utilizarse con gas natural.

Si desea hacer la conversión para utilizar el gas propano, use las piezas con orificios fijados provistos en el paquete del manual de instrucciones para la instalación en el paquete escrito "PARA LA CONVERSIÓN EN GAS PROPANO".

Para hacer la conversión del gas natural al gas propano, es necesario utilizar el servicio de un técnico calificado, in acuerdo con las instrucciones del fabricante y todos los códigos y reglamentos reguladores. Si todas las instrucciones no son observadas, se puede ocurrir severos lesiones o daños materiales. La agencia calificada que hace el trabajo asuma la responsabilidad para la conversión.

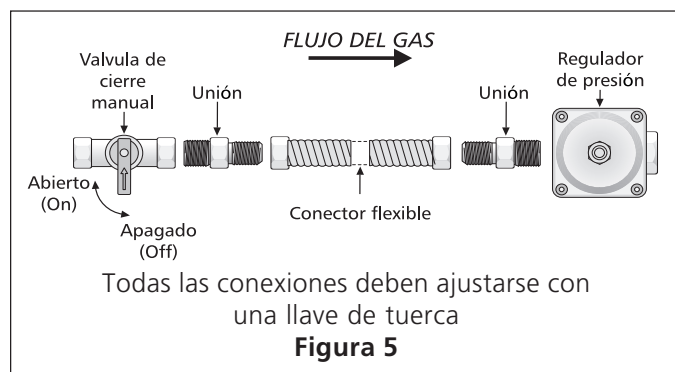
PRECAUCION Si la conversión apropiada no esta observada, se puede ocurrir severos lesiones o daños materiales.

Importante: Retire todos los artículos de embalaje y folletos de la cocina antes de realizar las conexiones de gas y eléctricas a la cocina.

Instalación del regulador de presión

Instale el regulador de presión con la flecha del regulador apuntando hacia la unidad en una posición que permita alcanzar la tapa de entrada.

PRECAUCION No ajuste demasiado la conexión. El regular está fundida a presión. Al ajustar demasiado se puede romper el regulador causando una fuga de gas y un posible incendio o explosión.



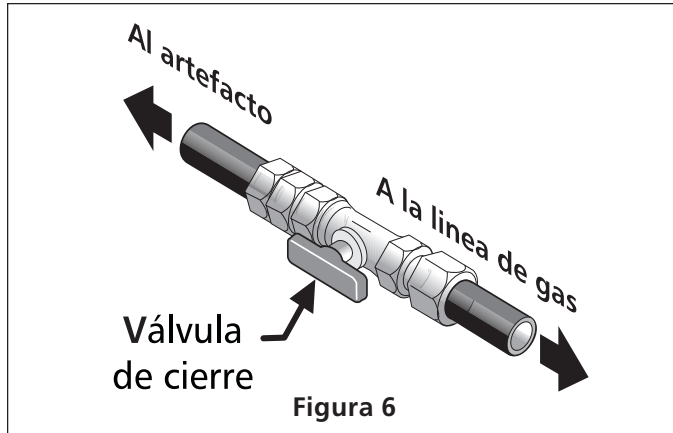
Monte el conector flexible del tubo del suministro de gas al regulador de presión en funcionamiento:

1. válvula de cierre manual
2. boquilla de 1/2" (1.3 cm)
3. adaptador de 1/2" (1.3 cm)
4. conector flexible
5. adaptador de 1/2" (1.3 cm)
6. boquilla de 1/2" (1.3 cm)
7. regulador de presión

Utilice un compuesto de tubo articulado para uso de gas natural y propano para sellar todas las conexiones de gas. Si se utilizan conectores flexibles, asegúrese que los conectores no están torcidos.

INSTRUCCIONES DE INSTALACION PARA PLANCHA DE COCINAR A GAS

El tubo de suministro de gas debería incluir una válvula de cierre certificada. Esta válvula debería estar ubicada en la misma habitación de la plancha de cocinar y debería estar en un lugar que permita una abertura y cierre fáciles. No bloquee las entradas de la válvula de cierre. La válvula sirve para abrir o cerrar el paso del gas al artefacto.



Abra la válvula de cierre en el tubo de suministro de gas. Espere unos minutos para que el gas pase a través del tubo de gas.

Verifique si hay fugas. Para verificar si hay fugas en el electrodoméstico se debe de seguir las instrucciones del fabricante. Luego de conectar la cocina al gas, verifique el sistema con un manómetro. Si no cuenta con éste instrumento, dé la vuelta al suministro de gas de la cocina y utilice un detector de fugas líquidas (o agua y jabón) en todas las articulaciones y conexiones para verificar si existen fugas.

⚠ ADVERTENCIA No use ningún tipo de llama para verificar si hay fugas de gas. Verifique si hay fugas con una llama puede ocasionar incendio o explosión.

Ajuste todas las conexiones en caso que sea necesario, para evitar fugas de gas en la cocina o en el tubo de suministro de gas.

Verifique la alineación de las válvulas luego de conectar la plancha de cocinar al suministro de gas para asegurar que no se ha movido la válvula del múltiple de la plancha de cocinar.

Desconecte la cocina y su válvula de cierre individual del sistema de tubería del suministro de gas durante cualquier ensayo de presión del sistema en ensayos de presión superiores a 1/2 psig (3.5 kPa o 14" columna de agua).

Aparte la cocina del sistema de tubería del suministro de gas cerrando su válvula de cierre individual manual, durante cualquier ensayo de presión del sistema de suministro de gas en ensayos iguales o inferiores a 1/2 psig (3.5 kPa o 14" columna de agua).

Requerimientos eléctricos:

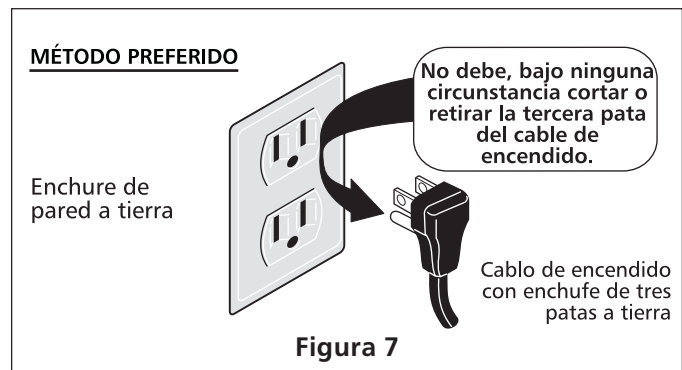
Un circuito derivado conectado correctamente a tierra de 120 voltios, 60 Herz protegido por un interruptor automático de 15 amp o un fusible de retardo. **No utilice un cable flexible de extensión en esta plancha de cocinar.**

Instrucciones para la puesta a tierra

IMPORTANTE Por favor, lea atentamente.

Como medida de seguridad personal, esté artefacto debe conectarse a tierra correctamente.

El cable de encendido de este artefacto incluye un enchufe de tres patas (a tierra) que calza con un enchufe de pared de tres patas de conexión a tierra (ver Figura 7) para disminuir la posibilidad de peligro de choques eléctricos desde el artefacto.



Un electricista calificado debe verificar el enchufe de pared y el circuito para asegurar que el enchufe está conectado a tierra correctamente.

En caso de encontrarse con un enchufe de pared de dos patas, es la personal responsabilidad y la obligación del consumidor reemplazarlo por el enchufe de pared a tierra de tres patas correspondiente.

No debe, bajo ninguna circunstancia cortar o retirar la tercera pata (tierra) del cable de encendido

⚠ ADVERTENCIA Desconecte el cable del suministro eléctrico del enchufe de pared antes de reparar la plancha de cocinar.

Instalación de la Tapa de Cocina

1. Inspeccione visualmente la tapa de la cocina para ver si está dañada.
2. Si va a instalar el Panel Protector Opcional de Acero Inoxidable, primero colóquelo en la parte posterior de la tapa de la cocina usando los tornillos provistos con el juego y siga las instrucciones provistas.
3. Coloque la tapa de la cocina en la marca de la mesada.

NOTA: No use un compuesto de calafateo; la tapa de la cocina se debe poder desmontar para revisarla.

INSTRUCCIONES DE INSTALACION PARA PLANCHA DE COCINAR A GAS

Verifique la operación

Refiera al **Manual del Usuario** que viene con la plancha de cocinar para las instrucciones de funcionamiento y el mantenimiento y la limpieza de su plancha de cocinar.

No toque a los quemadores. Pueden estar suficientemente calientes par causar quemaduras.

1. Bases y tapas de los quemadores.

Esta estufa esta equipada con quemadores sellados como se muestra más abajo (Figura 8). **Todas las piezas están en su lugar. Tome nota en donde están.** Quite todo el material de protección localizado bajo la cabeza del quemador de dual. **NOTA:** No hace falta ningún ajuste de quemador en esta estufa.

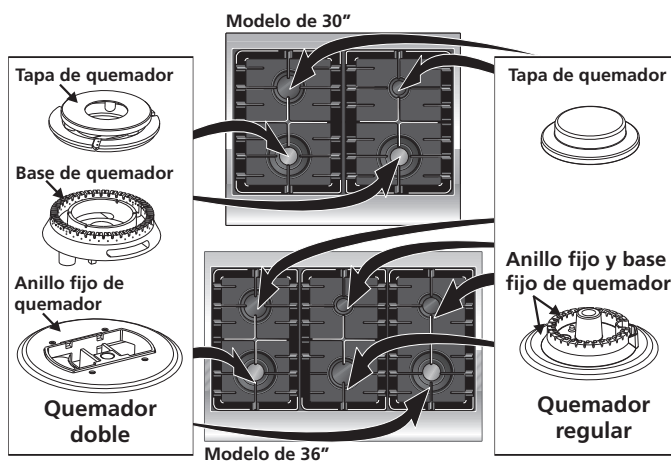


Figura 8

2. Encienda la corriente eléctrica y abra la válvula principal de alimentación.

3. Comprobación de los Encendedores

El funcionamiento de las bujías electrónicas desde ser comprobado una vez que los conectores del suministro de gas han sido verificados y no exista ningún tipo de fuga. Y el suministro de electricidad se conecte a la estufa.

Para verificar un encendido correcto:

- Presione y gire a una perilla a la posición de LITE. Todos las bujías electrónicas chispearán al mismo tiempo. Sin embargo, solamente el quemador que usted se está girando encenderá.
- El quemador se deberá encender en cuatro (4) segundos para un funcionamiento normal, luego de que el aire haya sido purgado de la tubería de suministro de gas. Controle visualmente que el quemador se hay encendido.
- Luego que el quemador se haya encendido, la perilla debe ser girada fuera de la posición LITE.

Cada quemador tiene su encendedor individual. Controle las perillas separadamente hasta que todas las válvulas hayan sido controladas.

4. Ajuste bajo ("LO") para la válvula de los quemadores de superficie estandar (Figuras 8 y 9)

- Presione y gire el control hasta la posición LITE para prender los quemadores.
- Gire **rápidamente** gire la perilla a la POSICION MAS BAJA.
- Si el quemador se apaga, reajuste el control a OFF.
- Retire la perilla y el anillo del quemador de superficie.
- Inserte un destornillador fino-aplanado en el orificio del vástago de la válvula e inserte en el tornillo ranurado. El tamaño de la llama puede aumentarse o disminuirse dándole vuelta al tornillo. Dé vuelta en sentido opuesto a las manecillas del reloj para aumentar el tamaño de la llama. Dé vuelta en sentido a las manecillas del reloj para disminuir la llama. Ajuste la llama hasta que usted puede dar vuelta rápidamente a la perilla de la posición LITE a la POSICIÓN MÁS BAJA sin extinguir la llama. La llama debe ser tan pequeña como sea posible sin apagarse.

Nota: El ajuste de la mezcla del aire no se requiere en los quemadores de superficie

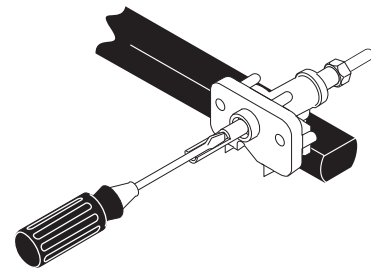


Figura 9

INSTRUCCIONES DE INSTALACION PARA PLANCHA DE COCINAR A GAS

5. Ajuste bajo "LOW" para la válvula de quemador de superficie Dual (vea Figura 8 y 10)

Nota: En la válvula de quemador triple el ajuste «LOW» de cada porción (porción posterior del quemador puente y la porción de centro del quemador del puente) se debe ajustar individualmente.

- Presione y gire el control a la posición LITE hasta que la porción posterior del quemador puente se encienda.
- Gire **rápidamente** a la perilla a la POSICIÓN MÁS BAJA.
- Si el quemador se apaga, reajuste el control a OFF.
- Retire la perilla del quemador de superficie.
- El tamaño de la flama de la porción posterior del quemador puente puede aumentarse o disminuirse dándole vuelta al tornillo **A** (vea Figura 10). Utilice el tornillo **B** para ajustar el tamaño de la flama de la porción central del quemador puente o del quemador triple. Dé vuelta en sentido opuesto de las manecillas del reloj para aumentar el tamaño de la flama. Dé vuelta en sentido a las manecillas del reloj para disminuir la flama. Ajuste la flama hasta que usted puede dar vuelta rápidamente a la perilla de la posición LITE a la POSICIÓN MÁS BAJA sin extinguir la flama. La flama debe ser tan pequeña como sea posible sin apagarse.

Nota: El ajuste de la mezcla del aire no se requiere en los quemadores de superficie.

Después de Terminar la Instalación

Asegúrese de que todos los controles estén en la posición OFF (apagada).

Antes de Llamar al Servicio

Lea la sección Lista de control de averías en su Manual del Usuario. Esto le podrá ahorrar tiempo y gastos. Esta lista incluye ocurrencias comunes que no son el resultado de defectos de materiales o fabricación de este artefacto.

Refiérase a su manual de Uso y Cuidado para la lista telefónica del servicio o llame al 1-877-4ELECTROLUX (1-877-435-3287).

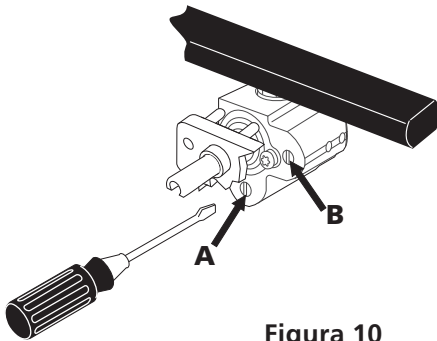


Figura 10

INSTRUCTIONS D'INSTALLATION POUR PLAQUE DE CUISSON À GAZ



UN INSTALLATEUR QUALIFIÉ DOIT EFFECTUER L'INSTALLATION ET LE SERVICE IMPORTANT: CONSERVEZ CES INSTRUCTIONS POUR LES INSPECTEURS LOCAUX. LISEZ CES INSTRUCTIONS ET CONSERVEZ-LES POUR RÉFÉRENCES ULTÉRIEURES.

AVERTISSEMENT Si les instructions de ce manuel ne sont pas suivies à la lettre, il pourrait en résulter un incendie ou une explosion susceptible de causer des dommages matériels, des blessures ou même la mort.

POUR VOTRE SÉCURITÉ:

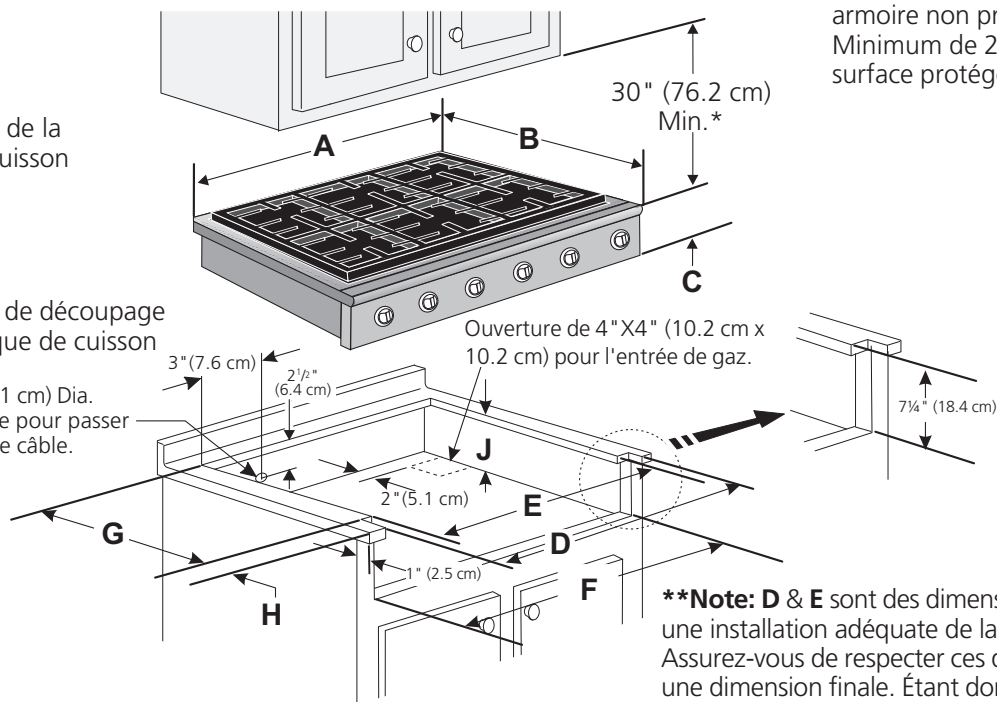
- N'entrez pas et n'utilisez pas d'essence ou d'autres produits inflammables à proximité de cet appareil ou de tout autre appareil.
- **QUE FAIRE SI VOUS DÉCELEZ UNE ODEUR DE GAZ:**
 - Ne tentez d'allumer aucun appareil.
 - N'actionnez aucun interrupteur électrique; n'utilisez aucun appareil téléphonique de l'édifice.
 - Communiquez immédiatement avec votre fournisseur de gaz en vous servant du téléphone d'un voisin. Suivez les instructions que le fournisseur vous donnera.
 - S'il vous est impossible de rejoindre votre distributeur de gaz, communiquez avec le service d'incendie.
- L'installation et l'entretien doivent être effectués par un installateur qualifié, un service d'entretien ou de réparation accrédité ou le distributeur de gaz.

Installation standard

Dimensions de la plaque de cuisson

Dimensions de découpage pour la plaque de cuisson

2" (5.1 cm) Dia. ouverture pour passer le câble.



* Minimum de 30" (76.2 cm) pour armoire non protégée.
Minimum de 24" (61 cm) pour surface protégée.

****Note:** D & E sont des dimensions critiques pour une installation adéquate de la table de cuisson. Assurez-vous de respecter ces dimensions. D reflète une dimension finale. Étant donné la variation dans le matériel du comptoir, il est recommandé de tailler un peu plus petit que cette dimension et l'ajuster lors de l'installation de l'appareil.

Figure 1

MODÈLE	A. LONGUEUR	B. LARGEUR	C. PROFONDEUR	DIMENSIONS DE DÉCOUPAGE					J. PROFONDEUR SOUS LA TABLE DE CUISSON
				D**	E**	F	G	H	
36 (91.4)	35 ⁷ / ₈ (91.1)	25 (63.5)	7 ³ / ₄ (19.7)	35 ¹⁵ / ₁₆ (91.3)	35 ³ / ₁₆ (89.4)	35 ¹ / ₈ (89.2)	22 (55.9)	1 ¹ / ₈ (2.9) Max.	7 ¹ / ₂ (19.1)
30 (76.2)	29 ⁷ / ₈ (75.9)	25 (63.5)	7 ³ / ₄ (19.7)	29 ¹⁵ / ₁₆ (76)	29 ³ / ₁₆ (74.1)	29 ¹ / ₈ (74)	22 (55.9)	1 ¹ / ₈ (2.9) Max.	7 ¹ / ₂ (19.1)

Toutes les dimensions sont en pouces (cm).

NOTE: Le schéma de câblage de la plaque de cuisson est inclus à la fin de ce feuillet.

P/N 318201475 (0710) Rev. D

English – pages 1-8

Español - páginas 9-16

Français – pages 17-23

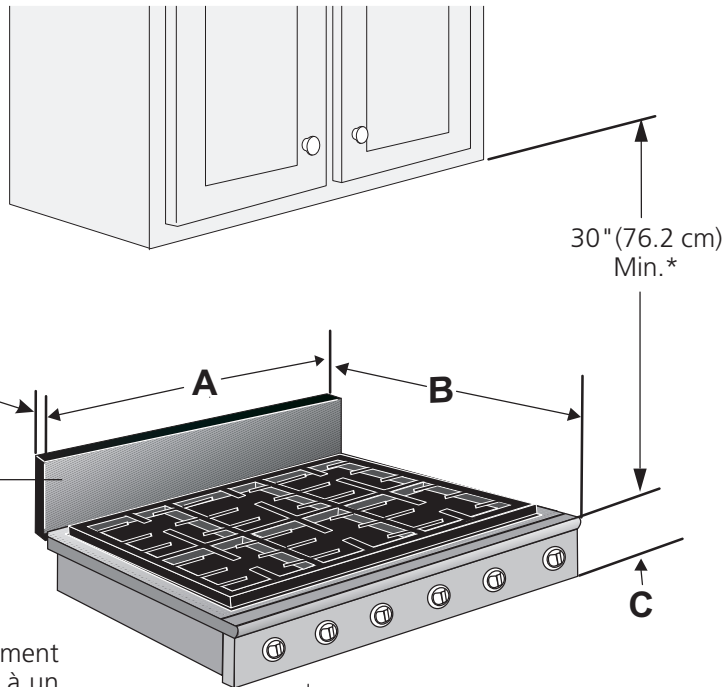
Schémas de câblage - pages 24

INSTRUCTIONS D'INSTALLATION POUR PLAQUE DE CUISSON À GAZ

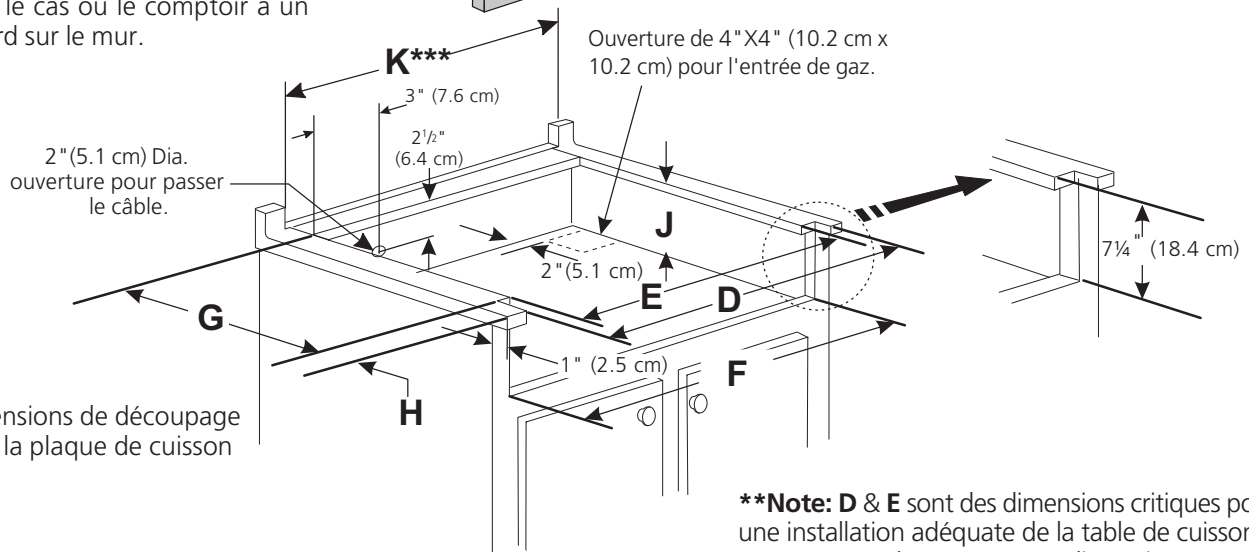
Pour l'installation avec le dossieret optionnel en acier inoxydable

* Minimum de 30" (76.2 cm) pour armoire non protégée.
Minimum de 24" (61 cm) pour surface protégée.

Dimensions de la plaque de cuisson



***Note: S'applique seulement dans le cas où le comptoir à un rebord sur le mur.



Dimensions de découpage pour la plaque de cuisson

Figure 2

**Note: D & E sont des dimensions critiques pour une installation adéquate de la table de cuisson. Assurez-vous de respecter ces dimensions. D reflète une dimension finale. Étant donné la variation dans le matériel du comptoir, il est recommandé de tailler un peu plus petit que cette dimension et l'ajuster lors de l'installation de l'appareil.

Ne faites pas glisser l'appareil dans l'ouverture du comptoir. Les vis qui dépassent sous l'appareil pourraient endommager l'armoire.

MODÈLE	A. LONGUEUR	B. LARGEUR	C. PROFONDEUR	DIMENSIONS DE DÉCOUPE					J. PROFONDEUR SOUS LA TABLE DE CUISSON	K. DÉCOUPE DU REBORD DU COMPTOIR
				LONGUEUR			LARGEUR			
				D**	E**	F	G	H		
36 (91.4)	35 ⁷ / ₈ (91.1)	25 (63.5)	7 ³ / ₄ (19.7)	35 ¹⁵ / ₁₆ (91.3)	35 ³ / ₁₆ (89.4)	35 ¹ / ₈ (89.2)	22 (55.9)	1 ¹ / ₈ (2.9)Max.	7 ¹ / ₂ (19.1)	35 ¹⁵ / ₁₆ (91.3)
30 (76.2)	29 ⁷ / ₈ (75.9)	25 (63.5)	7 ³ / ₄ (19.7)	29 ¹⁵ / ₁₆ (76)	29 ³ / ₁₆ (74.1)	29 ¹ / ₈ (74)	22 (55.9)	1 ¹ / ₈ (2.9)Max.	7 ¹ / ₂ (19.1)	29 ¹⁵ / ₁₆ (76)

Toutes les dimensions sont en pouces (cm).

INSTRUCTIONS D'INSTALLATION POUR PLAQUE DE CUISSON À GAZ

Notes importantes à l'installateur

1. Lisez toutes les instructions contenues dans ces instructions d'installation avant d'installer l'appareil.
2. Enlevez tout le matériel d'emballage avant de connecter l'alimentation à gaz à la plaque de cuisson.
3. Respectez tous les codes et règlements applicables.
4. N'oubliez pas de laisser ces instructions au consommateur.
5. Note: Pour utilisation de l'appareil à 2000 pieds au-dessus du niveau de la mer, la puissance des brûleurs doit être réduite de 4% pour chaque 1000 pieds supplémentaires.

Note importante au consommateur

Conservez ces instructions avec le **manuel d'utilisation** pour référence ultérieure.

Kit pour ajuster la profondeur de l'ouverture

Ce produit a été développé pour remplacer un appareil existant. Si la profondeur de l'ouverture du comptoir est plus grande que 7¼" (18.4 cm) et plus petite que 8½" (21.6 cm) vous pouvez commander gratuitement le kit d'ajustement #903051-9010 en communiquant avec le centre de service au 1-877-4ELECTROLUX (1-877-435-3287).

Pour le modèle 36" : #903051-9010

Pour le modèle 30" : #903051-9100

Accessoires optionnels disponibles:

- Un dosseret en acier inoxydable de 9" (22.9cm) kit #903048-9010 pour le modèle 36" et #903048-9100 pour le modèle 30".
- Un kit de boutons de commande noirs #903049-9120 pour le modèle 36" et #903049-9110 pour le modèle 30".

Ces kits peuvent être commandés par l'entremise d'un centre de service ou en téléphonant au 1-877-4ELECTROLUX (1-877-435-3287). Par contre tous les frais reliés à ces accessoires sont à la charge du consommateur.

INSTRUCTIONS DE SÉCURITÉ IMPORTANTES

Cet appareil doit être installé conformément aux règlements locaux, ou en l'absence de règlements, au code National de Gaz ANSI Z223.1/NFPA 54- dernière édition aux États-Unis, ou aux normes CAN/ACG-B149.1 et CAN/ACG-B149.2 au Canada.

- L'installation d'un appareil dans une maison préfabriquée (mobile) doit se conformer aux normes de la Manufactured Home Construction and Safety Standard, titre 24CFR, partie 3280 [antérieurement Federal Standard for Mobile Home Construction and Safety, titre 24, HUD (partie 280)] ou en l'absence de normes, aux normes de la Manufactured Home Installation, ANSI/NCSBCS A225.1, ou aux codes locaux.

La conception de cette plaque de cuisson a été approuvée par International Approval Services (I.A.S.). Il faut prendre certaines précautions d'usage lors de l'utilisation de tout appareil fonctionnant au gaz naturel ou produisant de la chaleur. Vous trouverez celles-ci dans votre **Manuel d'utilisation**, lisez-les avec attention.

- **Assurez-vous que votre appareil est correctement installé et mis à la terre par un installateur ou un technicien d'entretien qualifié.**
- **Le circuit électrique de cette plaque de cuisson doit être mis à la terre conformément** aux règlements locaux, ou en l'absence de règlements, au code national de l'électricité ANSI/NFPA no. 70- dernière édition aux États-Unis ou à la norme canadienne d'électricité, ACNOR C22.1, partie 1, au Canada.
- **Lors d'une panne de courant électrique, les brûleurs de surface peuvent être allumés manuellement; placez une allumette allumée près de la tête du brûleur et tournez lentement le bouton de commande de surface à la position LITE. Redoublez de prudence si vous allumez un brûleur de surface manuellement.**
- **N'entreposez pas d'objets susceptibles d'intéresser les enfants dans les armoires situées au-dessus de la cuisinière.** Ils risquent de se brûler sérieusement s'ils tentent de grimper sur l'appareil.
- **Évitez de placer des armoires de rangement au-dessus des brûleurs afin d'éliminer les gestes inutiles au-dessus de ceux-ci.**
- **Régalez la flamme du brûleur pour qu'elle ne dépasse pas le bord de l'ustensile utilisé pour la cuisson.** Une flamme excessive est dangereuse.
- **N'utilisez jamais votre appareil pour réchauffer ou chauffer la pièce.** L'utilisation prolongée de la plaque de cuisson sans une ventilation adéquate peut s'avérer dangereuse.
- **Ne gardez pas de produits combustibles, d'essence et d'autres produits inflammables à proximité de cet appareil ou de tout autre appareil.** Il pourrait en résulter des explosions ou un incendie.

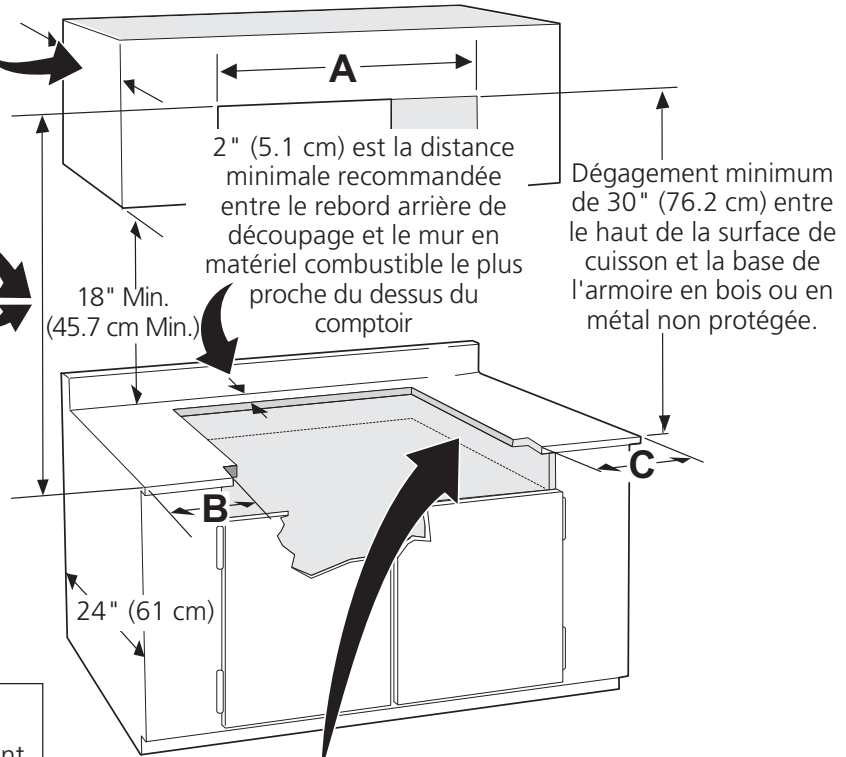
⚠ AVERTISSEMENT Il faut couper l'alimentation électrique durant le branchement des connexions électriques. À défaut de ce faire il peut en résulter des blessures graves ou la mort.

INSTRUCTIONS D'INSTALLATION POUR PLAQUE DE CUISSON À GAZ

L'armoire supérieure ne doit pas excéder une profondeur de 13" (33 cm)

Dégagement minimum de 30" (76.2 cm) entre le haut de la surface de cuisson et la base de l'armoire en bois ou en métal non protégée.

Minimum de 24" (61 cm) lorsque la base de l'armoire en bois ou en métal est protégée par un celloderme retardateur de flammes d'un minimum de 1/8" recouvert d'une feuille de métal MSG No 28, d'acier inoxydable d'un minimum de 0,015 (0.4 mm), d'aluminium de 0,024 (0.6 mm) ou de cuivre de 0,020 (0.5 mm).



⚠ AVERTISSEMENT Pour éliminer les risques de brûlures ou de feu en allongeant le bras au-dessus des surfaces de cuisson chaudes, évitez d'installer des armoires au-dessus de la plaque de cuisson. Si vous devez en installer, il est possible de réduire le risque en plaçant une hotte pour cuisinière qui excède horizontalement d'un minimum de 7" (17.8 cm) la base de l'armoire.

Il est déconseillé d'installer des tiroirs sous la table de cuisson.

MODÈLE	A	B. Dégagement minimal du côté gauche	C. Dégagement minimal du côté droit
36" (91.4 cm)	36" (91.4 cm)	9" (22.9 cm)	9" (22.9 cm)
30" (76.2 cm)	30" (76.2 cm)	5" (12.7 cm)	5" (12.7 cm)

Figure 3– OUVERTURE DU DÉCOUPAGE DE DESSUS DU COMPTOIR

Emplacement de la prise de courant murale

NOTE: Si aucune prise de courant n'est disponible, demandez à un électricien qualifié d'en installer une.

L'emplacement recommandé pour la prise de courant de 120V avec contact de mise à la terre se trouve sur le mur arrière.

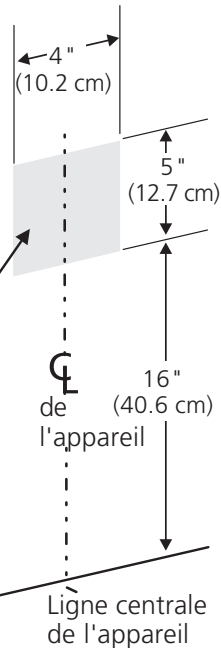


Figure 4

Fournissez une alimentation en gaz adéquate

Cette plaque de cuisson a été conçue pour fonctionner au gaz naturel avec une pression d'admission de 4" (10.2 cm).

Un régulateur de pression est branché en série avec la rampe à gaz de la plaque de cuisson, et doit rester en série sur le tuyau d'alimentation.

Pour un fonctionnement normal, la pression intérieure maximale au régulateur ne doit pas être supérieure à la pression d'une colonne d'eau (C.E.) de 14" (35.6 cm).

Pour vérifier le régulateur, la pression d'admission doit être supérieure d'au moins 1" (2.5 cm) (ou de 0.25 kPa) à celle du régulateur ajusté à la rampe à gaz. Le régulateur étant ajusté à 4" (10.2 cm) de pression, la pression d'admission doit être d'au moins 5" (12.7 cm).

La conduite d'alimentation en gaz branchée à la plaque de cuisson doit avoir un diamètre de 1/2" (1.2 cm) ou 3/4" (1.9 cm).

INSTRUCTIONS D'INSTALLATION POUR PLAQUE DE CUISSON À GAZ

Conversion au gaz de pétrole liquéfié ou gaz propane

Cet appareil fonctionne au gaz naturel ou au gaz propane. Il est réglé en usine pour fonctionner au gaz naturel.

Si vous désirez convertir votre plaque de cuisson au gaz propane, servez-vous des orifices à débit fixe qui sont fournis et emballés dans un sac marqué "POUR CONVERSION AU GAZ PROPANE".

Un installateur qualifié doit effectuer l'installation et le service, conformément aux instructions du fabricant et à tous les codes et règlements applicables. Si ces instructions ne sont pas suivies à la lettre, il pourrait en résulter de sérieuses blessures corporelles ou des dommages matériels. L'entreprise d'installation qui effectue ce travail assume la responsabilité de la conversion.

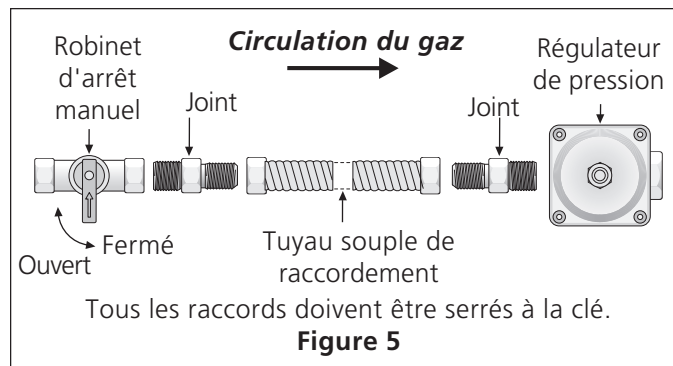
AVERTISSEMENT Si on n'effectue pas la conversion appropriée, il pourrait en résulter des blessures corporelles et des dommages matériels.

Important: Enlevez tout l'emballage et la documentation de la plaque de cuisson avant de brancher le gaz et le courant électrique sur celle-ci.

Installez le régulateur de Pression

Installez le régulateur de pression avec la flèche qui se trouve sur le régulateur dans la direction de la plaque de cuisson et dans une position facilitant l'accès.

AVERTISSEMENT RISQUE D'INCENDIE. Ne serrez pas trop les raccords. Le régulateur est fabriqué en alliage moulé. Un serrage excessif pourrait le fissurer et provoquer une fuite de gaz susceptible de causer un incendie ou une explosion.

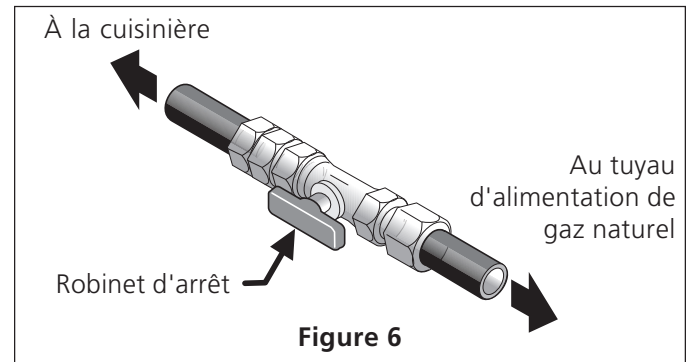


Raccordez le tuyau souple d'alimentation au régulateur de pression en respectant l'ordre suivant:

1. robinet d'arrêt manuel,
2. mamelon de 1/2",
3. adaptateur de 1/2",
4. tuyau souple de raccordement,
5. adaptateur de 1/2",
6. mamelon de 1/2",
7. régulateur de pression.

Utilisez du mastic à joints de tuyaux pur assurer l'étanchéité des raccords de gaz naturel et de gaz de pétrole liquéfié. Vérifiez que les tuyaux souples de raccordement, s'il y en a, ne sont pas tordus.

Le tuyau d'alimentation doit être équipé d'un robinet d'arrêt approuvé. Ce robinet devrait être situé dans la même pièce que la plaque de cuisson et à un endroit permettant de l'ouvrir et de le fermer sans difficulté. Ne bloquez pas l'accès au robinet d'arrêt. Il sert à allumer ou à fermer l'alimentation en gaz de l'appareil.



Ouvrez le robinet d'arrêt du tuyau d'alimentation de gaz naturel. Attendez quelques minutes pour permettre au gaz de se déplacer dans le tuyau d'alimentation.

Vérifiez qu'il n'y ait pas de fuites. Les vérifications contre les fuites doivent être effectuées conformément aux instructions du fabricant.

La vérification pour les fuites doit être faite selon les instructions du fabricant. Après avoir raccordé l'alimentation en gaz à la plaque de cuisson, à l'aide d'un manomètre vérifiez si le système ne fuit pas. Si vous ne disposez pas d'un manomètre, ouvrez l'alimentation en gaz et utilisez un liquide détecteur de fuites sur tous les joints et les raccords.

AVERTISSEMENT RISQUE D'INCENDIE. N'utilisez pas de flamme nue pour vérifier s'il y a des fuites aux raccords de gaz naturel. La détection des fuites à l'aide d'une flamme pourrait provoquer un incendie ou une explosion.

Si nécessaire, **resserrez tous les raccords** afin de prévenir les fuites de gaz dans la plaque de cuisson ou le tuyau d'alimentation.

Après avoir relié la plaque de cuisson à l'alimentation en gaz, **vérifiez l'alignement des robinets**, afin de vous assurer que le conduit de la rampe à gaz n'a pas été déplacé.

INSTRUCTIONS D'INSTALLATION POUR PLAQUE DE CUISSON À GAZ

Lors de toute vérification de pression du circuit à une pression supérieure à ½ lb/po2 (3.5 kPa ou 14" C.E.), **débranchez la plaque de cuisson et son robinet d'arrêt individuel** de l'alimentation en gaz.

Lors de toute vérification de pression du circuit d'alimentation en gaz à une pression inférieure ou égale à ½ lb/po2 (3.5 kPa ou 14" C.E.), isolez la plaque de cuisson du réseau d'alimentation en gaz en fermant son robinet d'arrêt manuel.

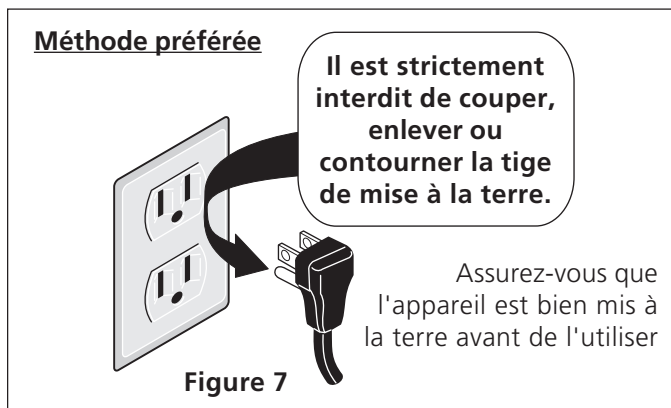
Alimentation en électricité

Circuit de dérivation de 120 volt, 60 Hertz, avec mise à la terre appropriée, protégé par un disjoncteur de 15 ampères ou un fusible temporisé. **N'utilisez pas de cordon de rallonge pour brancher la plaque de cuisson.**

IMPORTANT Veuillez lire attentivement.

Pour votre propre sécurité, cet appareil doit être correctement mis à la terre.

Afin de réduire au minimum les risques de chocs électriques, le cordon d'alimentation de cet appareil est muni d'une fiche de contact tripolaire (mise à la terre) enfichable dans une prise de courant murale tripolaire standard avec mise à la terre (Figure 7).



Il est conseillé de faire vérifier la prise de courant murale et le circuit par un électricien qualifié, afin de s'assurer que la prise de courant est correctement mise à la terre.

Dans le cas où il n'y a qu'une prise de courant murale bipolaire standard, il incombe au client de la remplacer par une prise de courant murale tripolaire correctement mise à la terre.

Il est strictement interdit de couper ou d'enlever la troisième tige (mise à la terre) du cordon d'alimentation.

AVERTISSEMENT Débranchez le cordon d'alimentation électrique de la prise de courant murale avant de réparer ou de nettoyer la plaque de cuisson.

Installation de la table de cuisson

1. Vérifiez si la table de cuisson est endommagée.
2. Si vous installez le dossier optionnel en acier inoxydable, fixez-le à l'arrière de la table de cuisson à l'aide des vis fournies et suivez les instructions fournies avec le dossier.
3. Insérez la table de cuisson dans la découpe sur le dessus du comptoir.

NOTE: N'utilisez pas de pâte à calfeutrage; on doit pouvoir déplacer la table de cuisson si l'entretien s'avère nécessaire.

Vérification de fonctionnement

Référez-vous au **manuel d'utilisation** fourni avec votre appareil pour le mode de fonctionnement et l'entretien de votre plaque de cuisson.

AVERTISSEMENT Ne touchez pas aux brûleurs. Ils peuvent être assez chauds pour causer des brûlures graves.

1. Couvercles et bases des brûleurs

Cet appareil est muni de brûleurs scellés tel que montré à la figure 8. Toutes les pièces sont actuellement aux bons endroits. Notez où elles vont. **Assurez-vous d'enlever tout le matériel d'emballage qui se trouve sous le brûleur double.** Les autres brûleurs sont fixes. Vérifiez que les brûleurs soient correctement alignés et à niveau. **NOTE:** Aucun réglage de brûleur n'est nécessaire avec ce genre d'appareil.

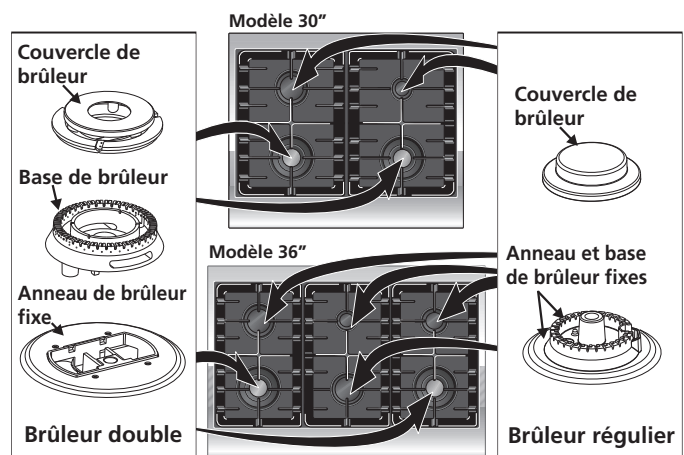


Figure 8

2. Branchez l'alimentation électrique et ouvrez le robinet principal d'alimentation en gaz.

INSTRUCTIONS D'INSTALLATION POUR PLAQUE DE CUISSON À GAZ

3. Vérifiez les allumeurs

Il faut vérifier le fonctionnement des allumeurs électriques après que la plaque de cuisson et les raccords du tuyau d'alimentation aient été eux-mêmes vérifiés relativement aux fuites et que la plaque de cuisson ait été branchée à la prise murale. Pour vérifier si l'allumage est adéquat :

- A.** Appuyez sur le bouton de commande d'un brûleur de surface et tournez-le à la position «LITE». Vous entendrez les étincelles de l'allumeur électrique qui allume le brûleur.
- B.** Le brûleur de surface doit s'allumer lorsque le gaz est disponible au brûleur supérieur. En fonctionnement normal, chaque brûleur doit s'allumer dans un délai de quatre (4) secondes après que l'air ait été purgé des canalisations d'alimentation. Regardez si le brûleur est allumé.
- C.** Une fois le brûleur allumé, le bouton de commande doit être tourné à une autre position que LITE.

Il existe des dispositifs d'allumage séparés pour chaque brûleur. Essayez chaque bouton séparément jusqu'à ce que tous les robinets de brûleur aient été vérifiés.

4. Réglez la position LOW des robinets des brûleurs de surface réguliers (voir Figure 9):

- A.** Appuyez et tournez le bouton de commande à LITE jusqu'à ce que le brûleur s'allume.
- b.** Tournez rapidement le bouton à la position la plus basse (LOW).
- c.** Si le brûleur s'éteint, remettez le bouton à la position arrêt (OFF).
- d.** Enlevez le bouton de commande ainsi que l'anneau décoratif du brûleur de surface.
- e.** Insérez un tournevis à pointe droite fine dans la tige creuse du robinet et ensuite dans la tête de la vis. La hauteur de la flamme peut être augmentée ou diminuée en tournant la vis. Ajustez la flamme jusqu'à ce que vous puissiez tourner rapidement le bouton de LITE à la plus basse position (LOW) sans éteindre la flamme. Celle-ci devrait être aussi minuscule que possible sans s'éteindre.

Note: aucun réglage du mélange d'air n'est requis sur cette surface de cuisson.

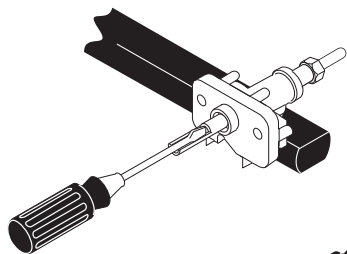


Figure 9

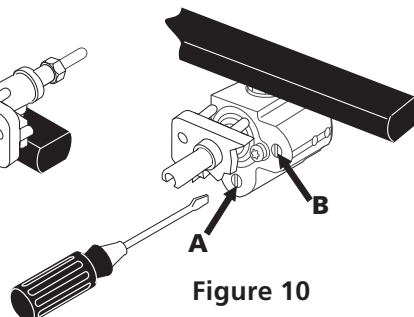


Figure 10

5. Réglez la position LOW des robinets du brûleur de surface double (voir Figure 10):

Note: Sur ce type de valve, la position "Low" de chaque portion doit être réglée individuellement.

- a.** Appuyez et tournez le bouton de commande à LITE jusqu'à ce que le brûleur s'allume.
- b.** Tournez rapidement le bouton à la position la plus basse (LOW).
- c.** Si le brûleur s'éteint, remettez le bouton à la position arrêt (OFF).
- d.** Enlevez le bouton de commande et l'anneau décoratif du brûleur de surface.
- e.** La dimension de la flamme de la portion interne du brûleur peut être augmentée ou diminuée en tournant la vis **A** (voir Figure 10). Utilisez la vis **B** pour ajuster la dimension de la flamme de la portion externe du brûleur. Tournez la vis dans le sens inverse des aiguilles d'une montre pour augmenter la dimension de la flamme et dans le sens des aiguilles d'une montre pour diminuer la dimension de la flamme. Ajustez la flamme jusqu'à ce que vous puissiez tourner rapidement le bouton de LITE à la plus basse position (LOW) sans éteindre la flamme. Celle-ci devrait être aussi minuscule que possible sans s'éteindre.

Note: Aucun réglage du mélange d'air n'est requis sur cette surface de cuisson.

Lorsque tous les raccordements sont terminés - Vérifiez si toutes les commandes sont en position d'arrêt (OFF).

Avant d'appeler le service d'entretien

Réviser la liste de vérifications préventives et les instructions d'opération dans votre Guide de l'utilisateur. Vous sauverez probablement du temps et de l'argent. La liste contient les événements ordinaires qui ne résultent pas de défauts dans le matériel ou la fabrication de cet appareil.

Référez-vous à la garantie et aux renseignements sur les services d'entretien dans votre **Guide de l'utilisateur** ou téléphonez au **1-877-4Electrolux (1-877-435-3287)**.

INSTRUCTIONS D'INSTALLATION POUR PLAQUE DE CUISSON À GAZ

