
SECTION 9P

DOORS

CAUTION: Disconnect the negative battery cable before removing or installing any electrical unit or when a tool or equipment could easily come in contact with exposed electrical terminals. Disconnecting this cable will help prevent personal injury and damage to the vehicle. The ignition must also be in B unless otherwise noted.

TABLE OF CONTENTS

Description and Operation	9P-2	Outside Front Door Handle	9P-17
Door Lock Striker	9P-2	Outside Rear Door Handle	9P-18
Childproof Rear Door Lock	9P-2	Door Lock Cylinder	9P-18
Power Door Locks	9P-2	Manual Window Regulator	9P-19
Power Windows	9P-2	Power Front Window Regulator	9P-19
Tailgate Strut	9P-2	Front Door Assembly	9P-20
Component Locator	9P-3	Rear Door Assembly	9P-21
Front Door	9P-3	Tailgate	9P-22
Rear Door	9P-5	Tailgate Lock Cylinder	9P-23
Repair Instructions	9P-7	Door Hinge	9P-23
On-Vehicle Service	9P-7	Door Hold Open Link	9P-24
Front Door Glass Run	9P-7	Inside Channel Weatherstrip (Standard)	9P-24
Rear Door Glass Run	9P-8	Inside Channel Weatherstrip (Deluxe)	9P-25
Door Lock Striker	9P-9	Door Outside Channel Weatherstrip	9P-25
Tailgate Lock Striker	9P-9	Door Weatherstrip	9P-26
Door Lock Striker Adjustment	9P-10	Door Seal Trim	9P-27
Tailgate Lock Striker Adjustment	9P-11	Door Opening Weatherstrip	9P-27
Front Door Lock	9P-13	Manual Window Regulator Handle	9P-28
Childproof Rear Door Lock	9P-14	Tailgate Strut	9P-28
Central Door Lock Actuator	9P-16	Schematic and Routing Diagrams	9P-30
Tailgate Lock	9P-16	Power Door Locks	9P-30
Inside Door Handle	9P-17	Power Windows (Front Only)	9P-34

DESCRIPTION AND OPERATION

DOOR LOCK STRIKER

The front and the rear door lock strikers each consist of a striker with two screws threaded into a floating cage plate in the B-pillars and C-pillars. The door is secured in the closed position when the door lock fork snaps over and engages the striker.

CHILDPROOF REAR DOOR LOCK

The childproof rear door locks help prevent passengers, especially children, from opening the rear doors of the vehicle from the inside.

In order to activate these locks, move the levers of both rear doors to the lock position. Then, close both doors. Rear passengers will be unable to open the doors from the inside of the vehicle.

In order to deactivate the childproof rear door lock, unlock the door from the inside of the vehicle and open the door from the outside. Move the lever to the unlock position. The rear door will now work normally.

POWER DOOR LOCKS

The power door locks use a solenoid that is contained in each door lock assembly. The door locks are activated

by the actuator on the inside door handle or by the lock cylinder on the driver door only. When the driver door is locked or unlocked by the actuator or lock cylinder, all doors are locked or unlocked accordingly.

POWER WINDOWS

The power windows are controlled by electrical switches on the front door trim and operated by a motor at each window regulator. The windows are lowered by pressing the switch and raised by pulling up on the switch. The window will stop movement when the switch is released or when the window is completely open or closed.

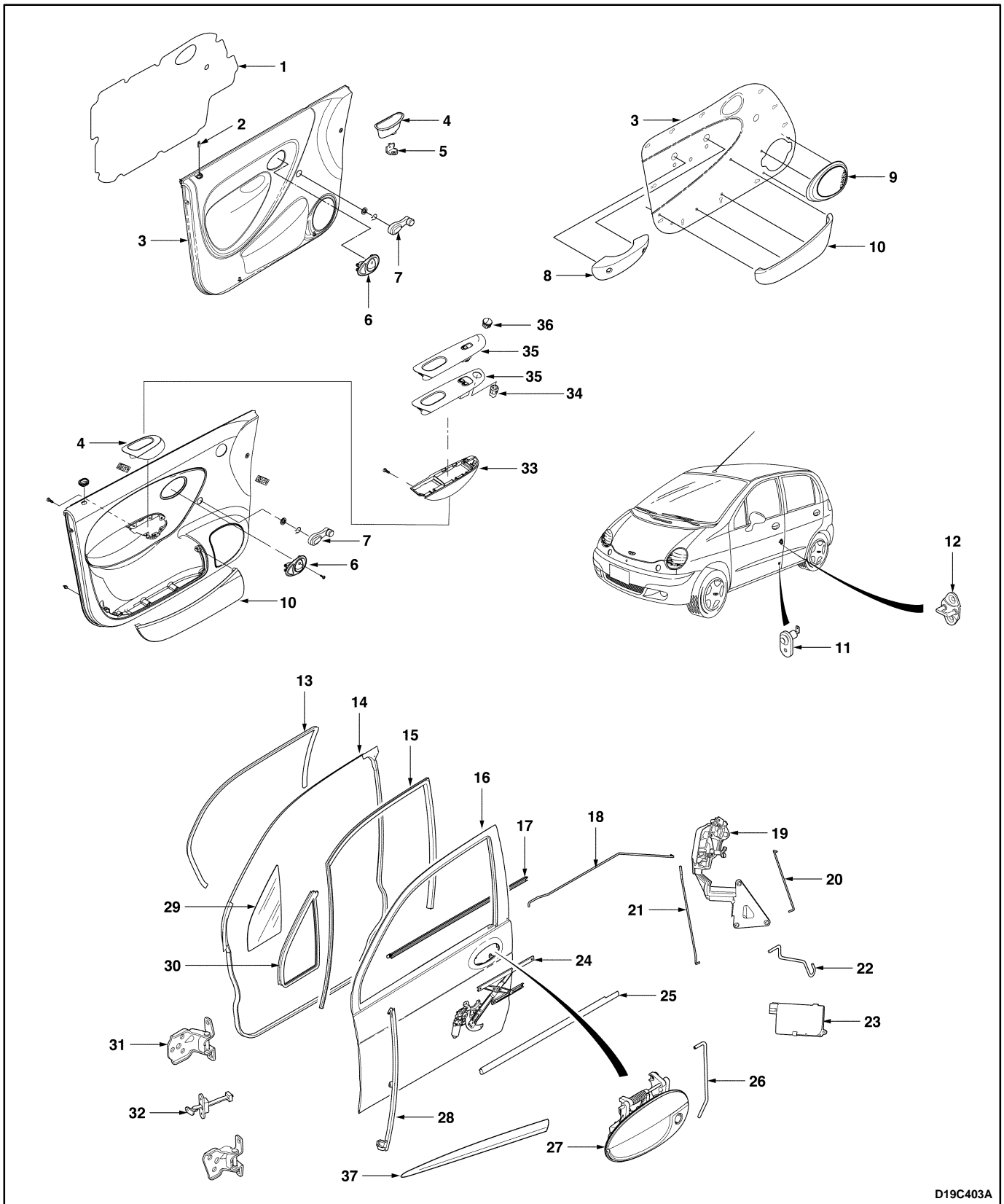
TAILGATE STRUT

This vehicle is equipped with the gas struts. The struts support the tailgate suitably when opening the tailgate.

The strut contained the high pressure compressed gas. Therefore, be careful not to take apart, puncture, apply heat or fire because the strut may explode.

COMPONENT LOCATOR

FRONT DOOR

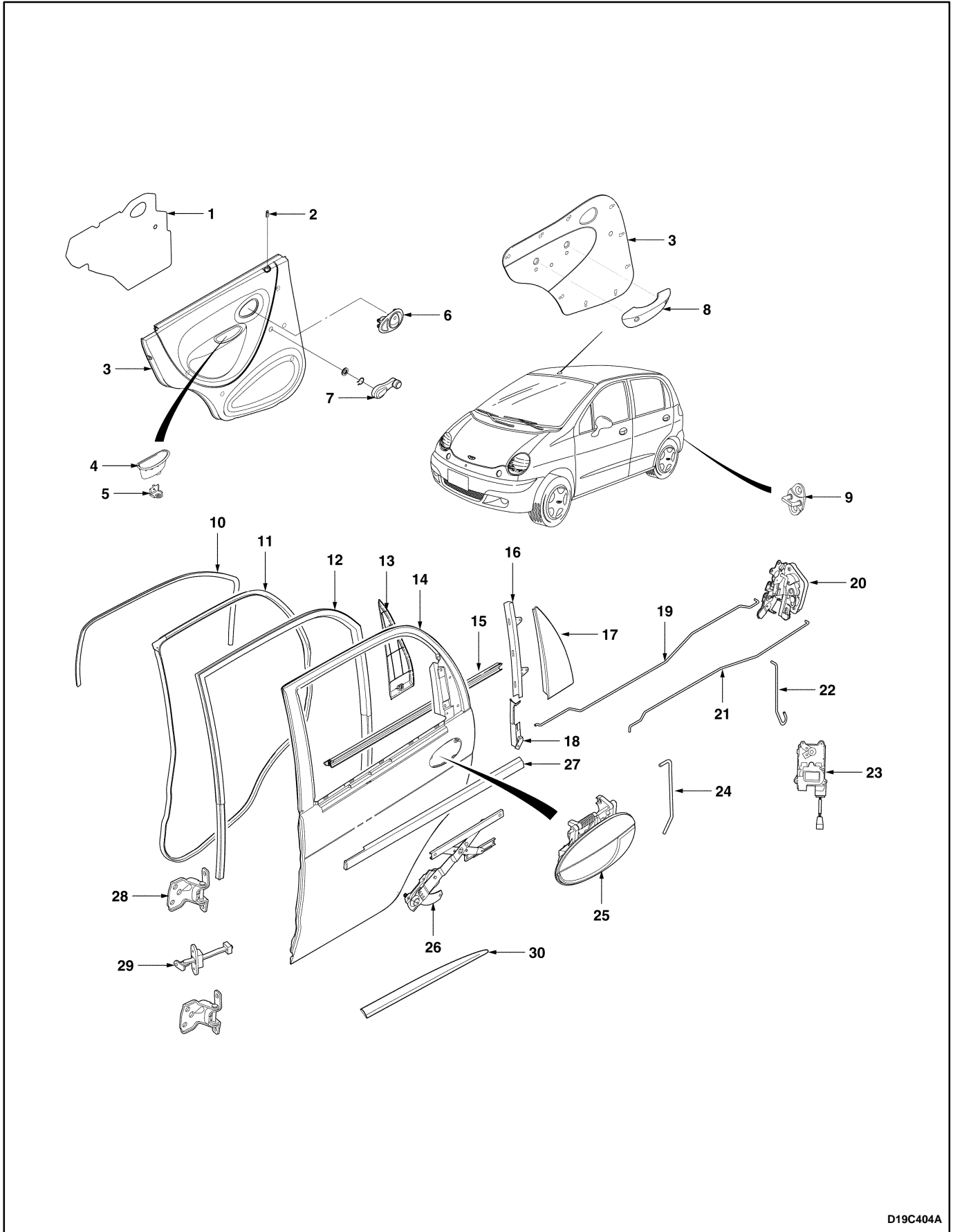


D19C403A

9P –4 DOORS

1. Seal Trim
 2. Lock Button
 3. Trim Panel
 4. Pocket Handle (Deluxe Type)
 5. Pocket Handle Bracket (Deluxe Type)
 6. Inside handle
 7. Manual Regulator Handle
 8. Pocket Handle (Standard Type)
 9. Door Speaker Cover
 10. Map Pocket
 11. Contact Switch
 12. Striker
 13. Opening Weatherstrip
 14. Door Weatherstrip
 15. Glass Run
 16. Front Door
 17. Inside Channel Weatherstrip
 18. Inside Handle Rod
 19. Door Lock
 20. Door Lock Cylinder Rod
 21. Lock Rod
 22. Actuator Rod
 23. Actuator
 24. Window Regulator
 25. Outside Channel Weatherstrip
 26. Outside Handle Rod
 27. Outside Handle
 28. Division Bar
 29. Quarter Glass
 30. Quarter Glass Run
 31. Door Hinge
 32. Door Hold Open Link
 33. Power Window Switch Cover
 34. Mirror Switch
 35. Power Window Switch Assembly
 36. Mirror switch Blank
 37. Door Side Molding
-

REAR DOOR



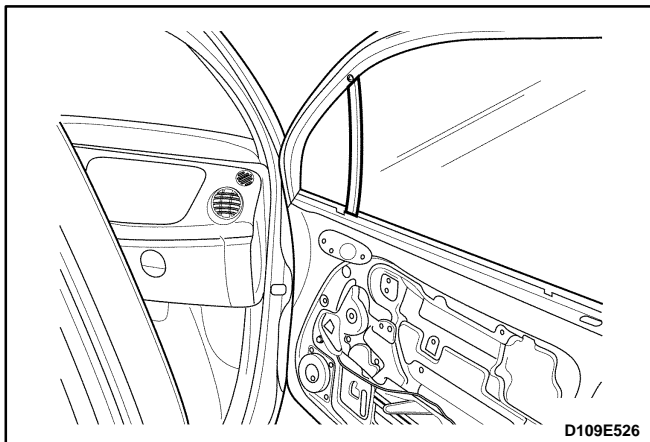
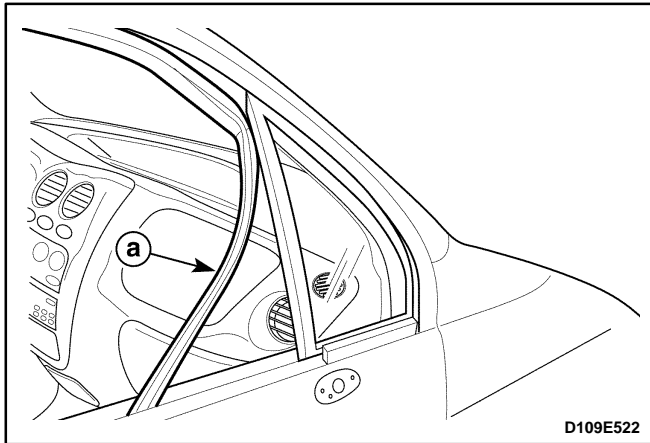
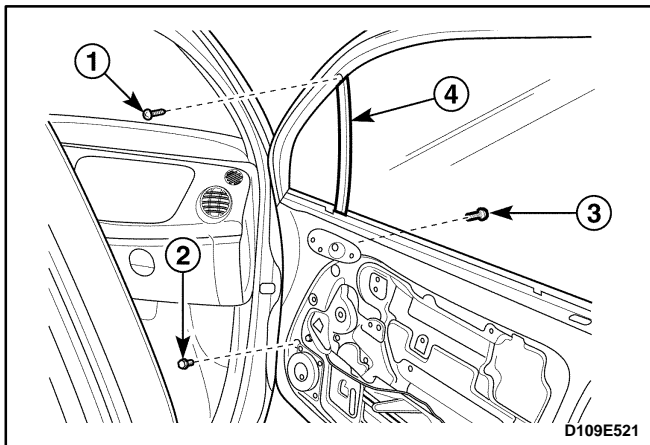
D19C404A

9P –6 DOORS

1. Seal Trim
 2. Lock Button
 3. Trim Panel
 4. Pocket Handle (Deluxe Type)
 5. Pocket Handle Bracket (Deluxe Type)
 6. Inside handle
 7. Manual Regulator Handle
 8. Pocket Handle (Standard Type)
 9. Striker
 10. Opening Weatherstrip
 11. Door Weatherstrip
 12. Glass Run
 13. Interior Garnish Molding
 14. Rear Door
 15. Inside Channel Weatherstrip
 16. Upper Guide Rail
 17. Exterior Garnish Molding
 18. Lower Guide Rail
 19. Lock Rod
 20. Door Lock
 21. Inside Handle Rod
 22. Actuator Rod
 23. Actuator
 24. Outside Handle Rod
 25. Outside Handle
 26. Window Regulator
 27. Outside Channel Weatherstrip
 28. Door Hinge
 29. Door Hold Open Link
 30. Door Side Molding
-

REPAIR INSTRUCTIONS

ON-VEHICLE SERVICE



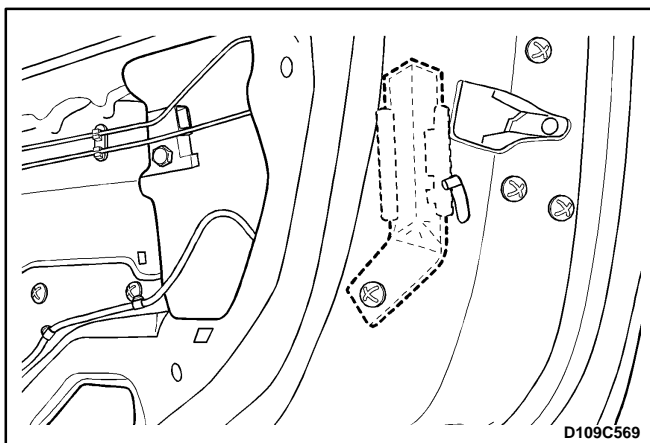
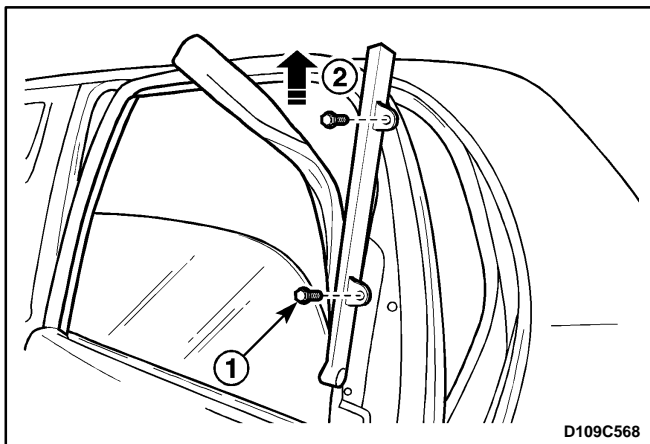
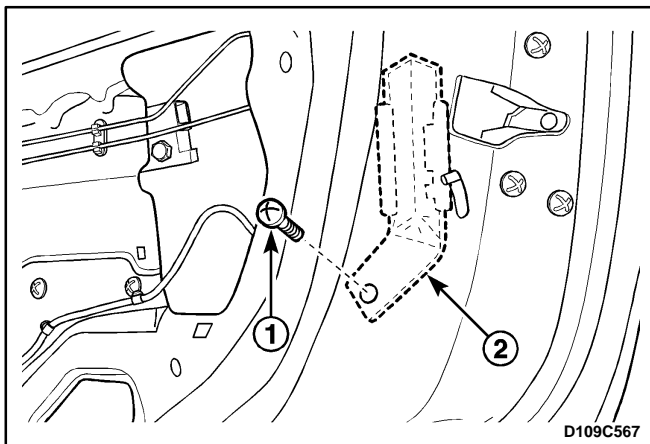
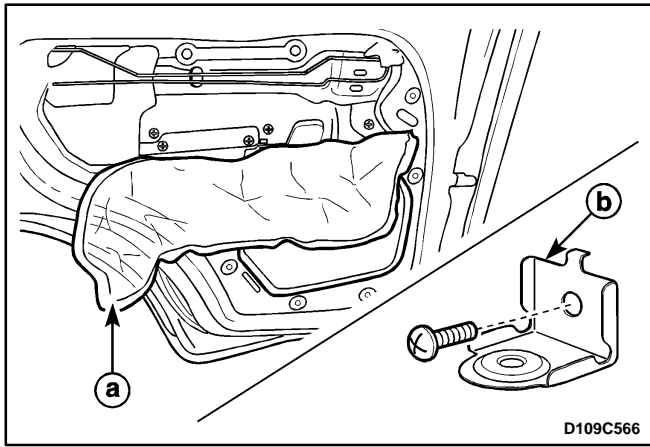
FRONT DOOR GLASS RUN

Removal Procedure

1. Remove the front door seal trim from the front door. Refer to "Door Seal Trim" in this section.
2. Remove the outside rearview mirror from the front door. Refer to *Section 9L, Glass and Mirrors*.
3. Remove the guide rail from the door.
 - Remove the screws (1).
 - Remove the inside bolts (2).
 - Remove the outside bolts (3).
 - Remove the division bar (4).
4. Remove the glass run.
 - a. Glass run.

Installation Procedure

1. Install the glass run.
2. Install the division bar with the bolts and the screws.
3. Install the outside rearview mirror. Refer to *Section 9L, Glass and Mirrors*.
4. Install the front door seal trim. Refer to "Door Seal Trim" in this section.



REAR DOOR GLASS RUN

Removal Procedure

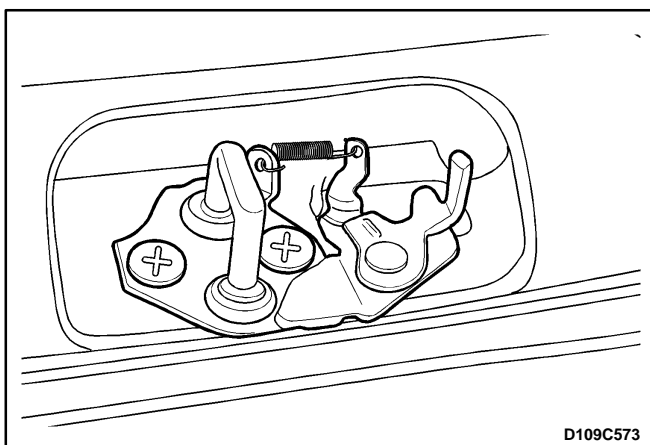
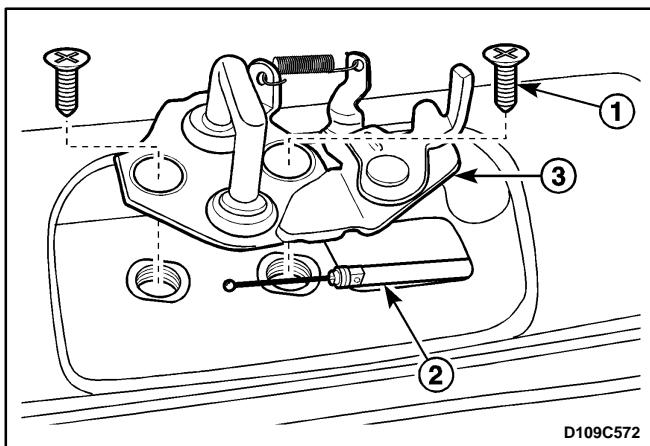
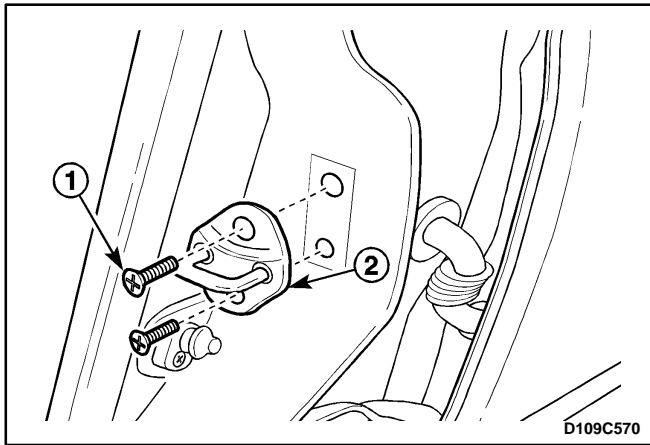
1. Remove the inside channel weatherstrip from the rear door. Refer to *Section 9G, Interior Trim*.
2. Remove the outside channel weatherstrip from the rear doors. Refer to *Section 9G, Interior Trim*.
3. Remove the rear door trim panel. Refer to *Section 9G, Interior Trim*.
4. Remove the rear door seal trim.
 - a. Door seal trim.
 - b. Door pocket handle bracket.

Important: In case of the deluxe type, remove the seal trim after removing the door pocket handle bracket.

5. Remove the guide piece.
 - Remove the screw (1).
 - Remove the guide piece (2).
6. Remove the upper guide rail and the glass run.
 - Remove the bolts (1).
 - Lift up and remove the upper guide rail and the glass run simultaneously (2).

Installation Procedure

1. Install the upper guide rail and the rear door glass run.
2. Install the guide piece with the screw.
3. Install the rear door seal trim.
4. Install the rear door trim panel. Refer to *Section 9G, Interior Trim*.
5. Install the outside channel weatherstrip to the rear door. Refer to *Section 9G, Interior Trim*.
6. Install the inside channel weatherstrip to the rear door. Refer to *Section 9G, Interior Trim*.



DOOR LOCK STRIKER

Removal Procedure

1. Remove the door lock striker.
 - Remove the screws (1).
 - Remove the door lock striker (2).

Installation Procedure

Notice: Dissimilar metals in direct contact with each other may corrode rapidly. Make sure to use the correct fasteners to prevent premature corrosion.

1. Install the door lock striker with the screws.

TAILGATE LOCK STRIKER

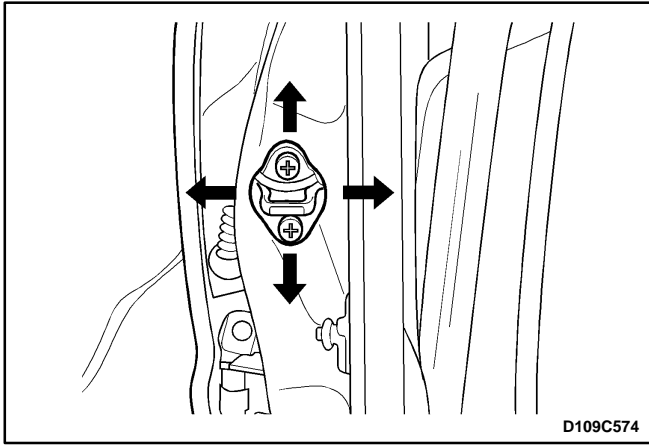
Removal Procedure

1. Open the tailgate and suitably support it.
2. Remove the tailgate lock striker.
 - Remove the screws (1).
 - Disconnect the cable (2).
 - Remove the striker (3).

Installation Procedure

Notice: Dissimilar metal in direct contact with each other may corrode rapidly. Make sure to use the correct fasteners to prevent premature corrosion.

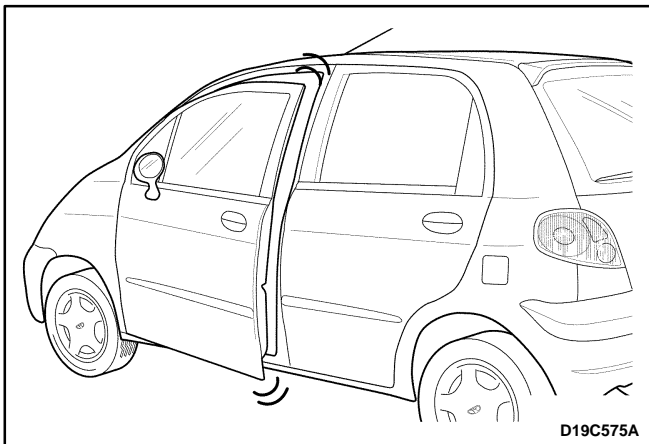
1. Connect the cable.
2. Install the tailgate lock striker with the screws.



DOOR LOCK STRIKER ADJUSTMENT

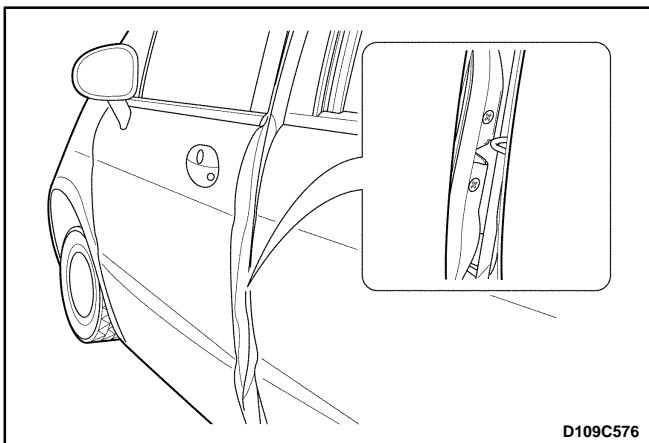
Notice: The door lock striker is an important attaching part that can affect the performance of vital components and systems and can cause major repair expenses. If replacement becomes necessary, the door lock striker must be replaced by one with the same part number or with an equivalent part if replacement becomes necessary. Do not use a replacement part of lesser quality or of a substitute design. The specified torque values must be used during reassembly in order to ensure the proper retention of the part.

The door lock striker consists of a striker with two screws that are threaded into a tapped, floating cage plate located in the appropriate body pillar. This floating cage plate allows the striker to be easily adjusted in or out and up or down. The door is secured in the closed position when the door lock fork snaps over and engages the striker.

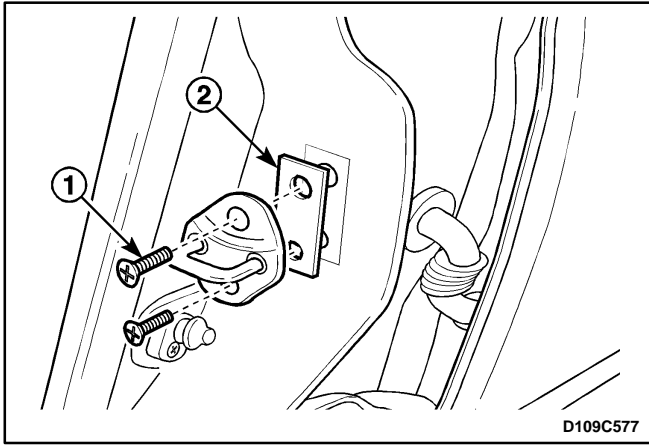


Fore/Aft Adjustment

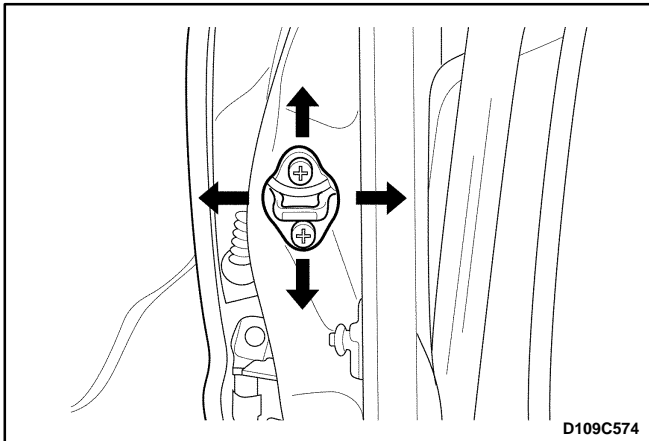
1. The door must be properly aligned.
2. Close the door until the lock fork contacts the striker.
3. Stand next to the door opening and move the door slowly in and out, just touching the striker each time.



4. The alignment of the lock fork and the striker can be easily seen. The lock fork should be perpendicular to and fall near the middle of the striker. The lock fork should fall near the middle of the striker between the B-pillar and the end of the striker.



5. If a fore or aft adjustment is required, use the following steps:
 - Remove the striker screws (1).
 - Remove the spacer in order to move the striker toward the rear of the vehicle (2).
 - Add a 2 mm (0.08 inch) spacer in order to move the striker toward the front of the vehicle.
 - Install the striker screws.
6. Perform the up/down or the in/out adjustment. Refer to "Up/Down or In/Out Adjustment" in this section.



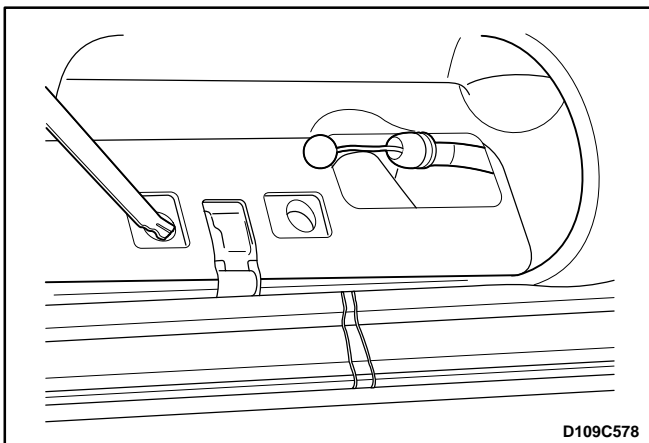
Up/Down or In/Out Adjustment

An adjustment of the striker in the up and down or in and out directions may be necessary for a number of reasons: vehicle frame damage as the result of a collision, installation of new door weatherstripping, customer complaints of excessive windnoise, or difficulty in opening or closing the door. In order to adjust the door striker in an up and down or in and out direction, perform the following procedure:

1. The door must be properly aligned.
2. Loosen the striker screws.
3. The floating cage plate can be moved slightly using the ends of the striker screws. Move the floating cage plate to the desired position.

Notice: It is important to use a flat-end rotary file in order not to damage the tapped floating cage plate. The striker screws and the tapped floating cage plate are important attaching parts that could affect the performance of vital components and systems.

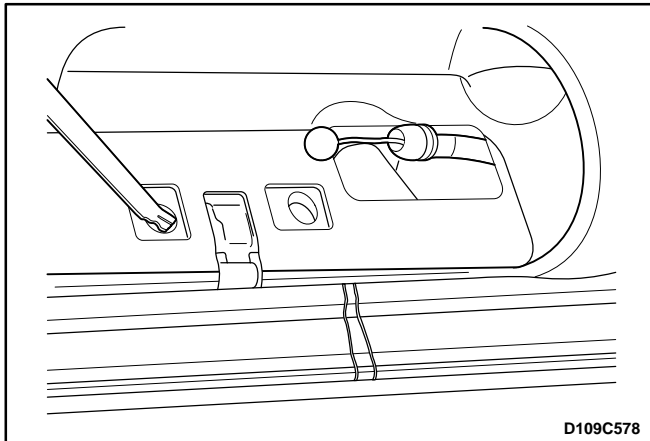
4. If proper adjustment requires that the floating cage plate be moved more than is possible, use an electric hand drill and a 3/8- inch rotary file with a flat head in order to enlarge the body opening in the direction required.
5. Tighten the striker screws to the correct position.



TAILGATE LOCK STRIKER ADJUSTMENT

Notice: The tailgate lock striker is an important attaching part that can affect the performance of vital components and systems and can cause major repair expenses. If replacement becomes necessary, the tailgate lock striker must be replaced by one with the same part number or with an equivalent part if replacement becomes necessary. Do not use a replacement part of lesser quality or of a substitute design. The specified torque values must be used during reassembly in order to ensure the proper retention of the part.

The tailgate lock striker consists of a striker with two screws that are threaded into a tapped, floating cage plate located in the appropriate body pillar. This floating cage plate allows the striker to be easily adjusted in or out and up or down. The tailgate is secured in the closed position when the tailgate lock fork snaps over and engages the striker.

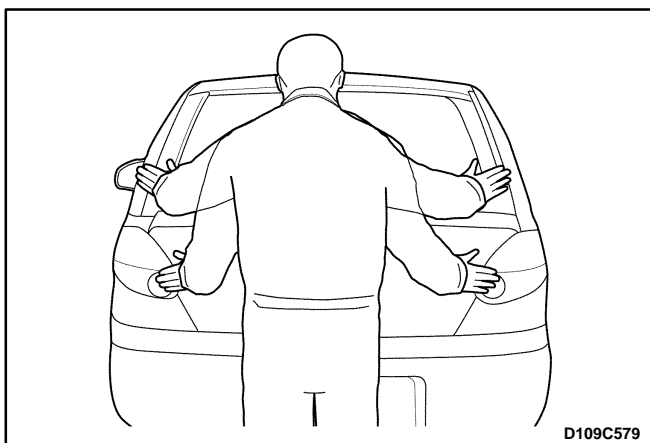


Fore/Aft or In/Out Adjustment

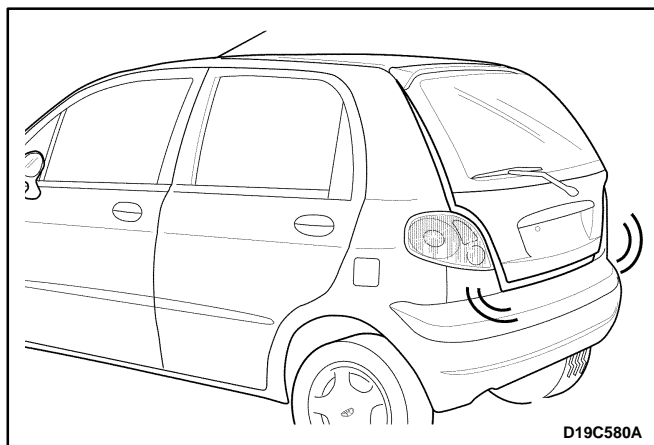
An adjustment of the striker in the fore and aft or in and out directions may be necessary for a number of reasons: vehicle frame damage as the result of a collision, installation of new tailgate weatherstripping, customer complaints of excessive windnoise, or difficulty in opening or closing the tailgate. In order to adjust the tailgate striker in an fore and aft or in and out direction, perform the following procedure:

1. The tailgate must be properly aligned.
2. Loosen the striker screws.
3. The floating cage plate can be moved slightly using the ends of the striker screws. Move the floating cage plate to the desired position.

Notice: It is important to use a flat-end rotary file in order not to damage the tapped floating cage plate. The striker screws and the tapped floating cage plate are important attaching parts that could affect the performance of vital components and systems.

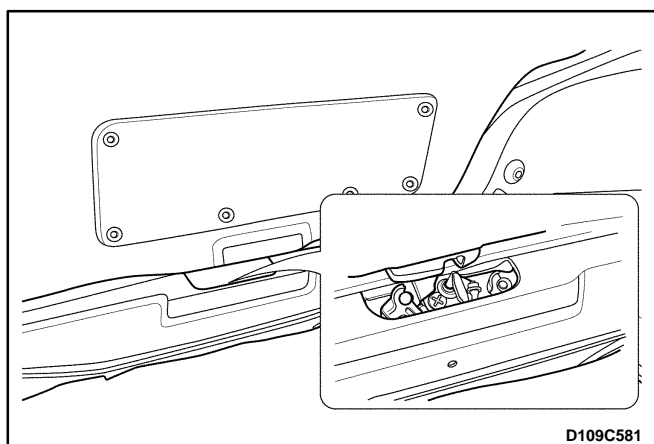


4. If proper adjustment requires that the floating cage plate be moved more than is possible, use an electric hand drill and a 3/8- inch rotary file with a flat head in order to enlarge the body opening in the direction required.
5. Tighten the striker screws to the correct position.
6. Perform the up/down adjustment. Refer to "Up and Down Adjustment" in this section.

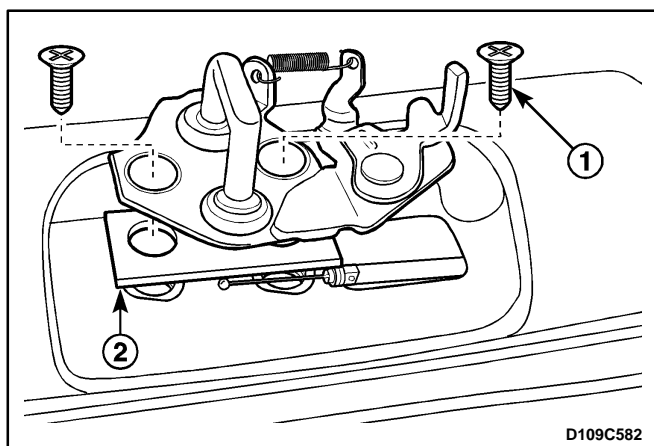


Up and Down Adjustment

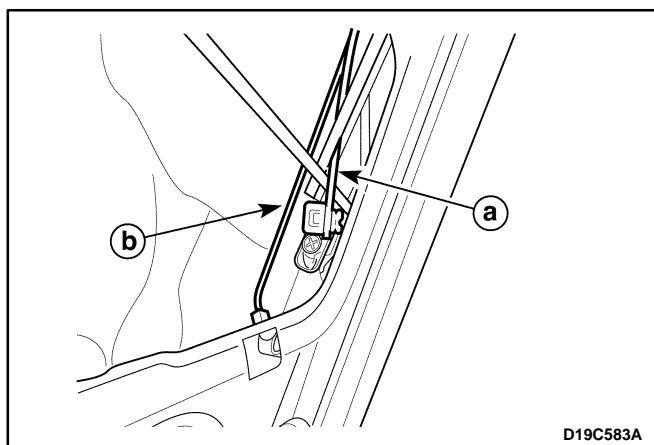
1. The tailgate must be properly aligned.
2. Close the tailgate until the lock fork contacts the striker.
3. Stand next to the tailgate opening and move the tailgate slowly up and down, just touching the striker each time.



4. The alignment of the lock fork and the striker can be easily seen. The lock fork should be perpendicular to and fall near the middle of the striker. The lock fork should fall near the middle of the striker between the rear body pillar and the end of the striker.



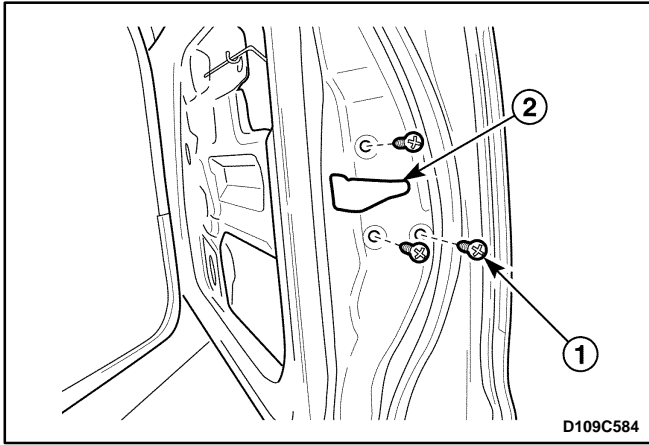
5. If a up and down adjustment is required, use the following steps:
 - Remove the striker screws (1).
 - Remove the spacer in order to move the striker toward the down of the vehicle (2).
 - Add a 2 mm (0.08 inch) spacer in order to move the striker toward the up of the vehicle.
 - Install the striker screws.



FRONT DOOR LOCK

Removal Procedure

1. Disconnect the negative battery cable if equipped with the central door lock system.
2. Remove the seal trim. Refer to "Door Seal Trim" in this section.
3. Disconnect the outside door handle rod from the door lock.
 - a. Outside door handle rod.
 - b. Key rod.



4. Remove the front door lock.
 - Remove the screws (1).
 - Remove the front door lock (2).

Important: Disconnect the actuator connector, if equipped with the central door lock system.



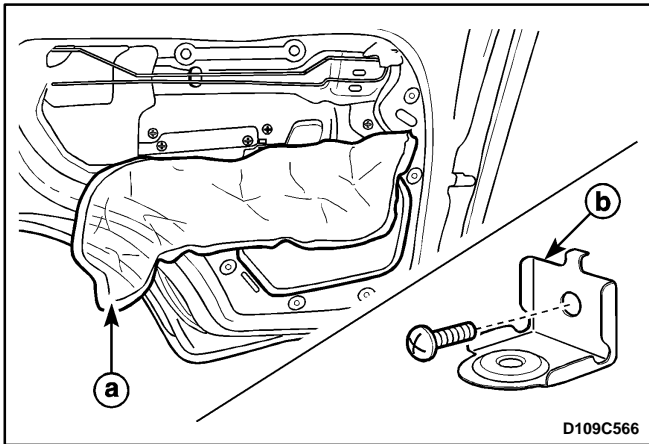
Installation Procedure

Notice: Dissimilar metals in direct contact with each other may corrode rapidly. Make sure to use the correct fasteners to prevent premature corrosion.

1. Install the front door lock with screws.

Important: Connect the actuator connector if equipped with the central door lock system.

2. Connect the outside door handle rod and the key rod to the door lock.
3. Install the seal trim. Refer to “Door Seal Trim” in this section.
4. Connect the negative battery cable, if equipped with the central door lock system.

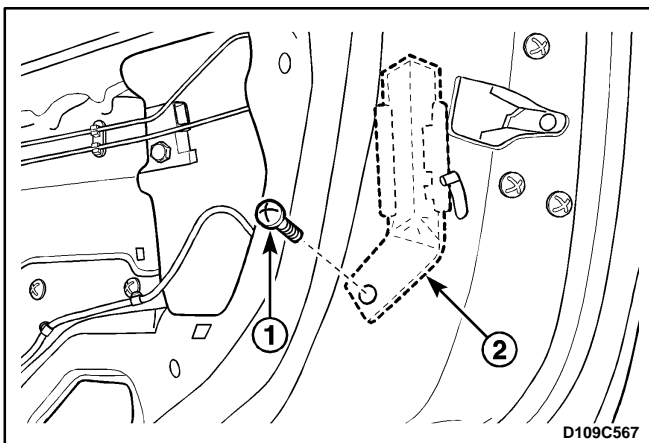


CHILDPROOF REAR DOOR LOCK

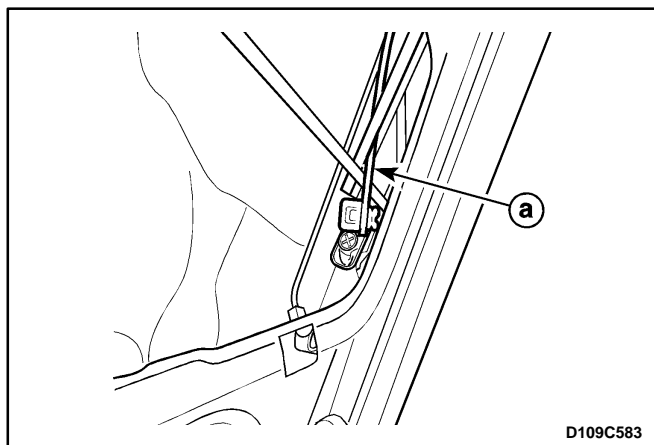
Removal Procedure

1. Disconnect the negative battery cable if equipped with the central door lock system.
2. Remove the door trim panel. Refer to *Section 9G, Interior Trim*.
3. Remove the door seal trim. Refer to “Door Seal Trim” in this section.
 - a. Door seal trim.
 - b. Door pocket handle bracket.

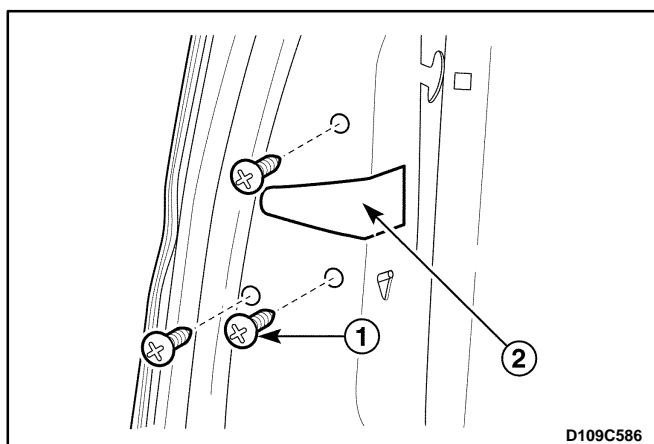
Important: In case of the deluxe type, remove the seal trim after removing the door pocket handle bracket.



4. Remove the guide piece.
 - Remove the screw (1).
 - Remove the guide piece (2).

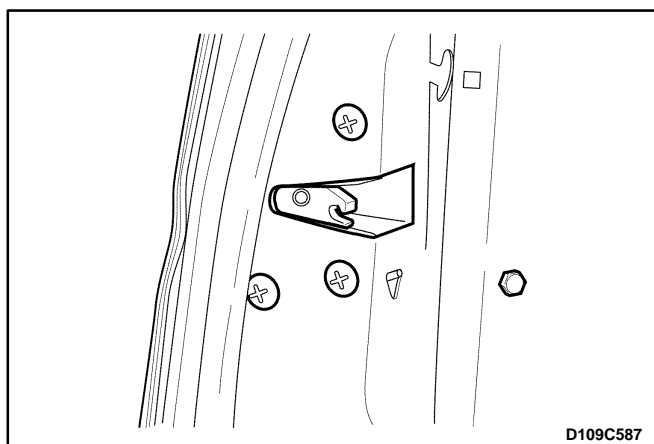


5. Disconnect the outside door handle rod from the door lock.
 - a. Outside door handle rod.



6. Disconnect the door lock from the vehicle.
 - Remove the screws (1).
 - Remove the door lock (2).

Important: Disconnect the actuator connector if equipped with the central door lock system.



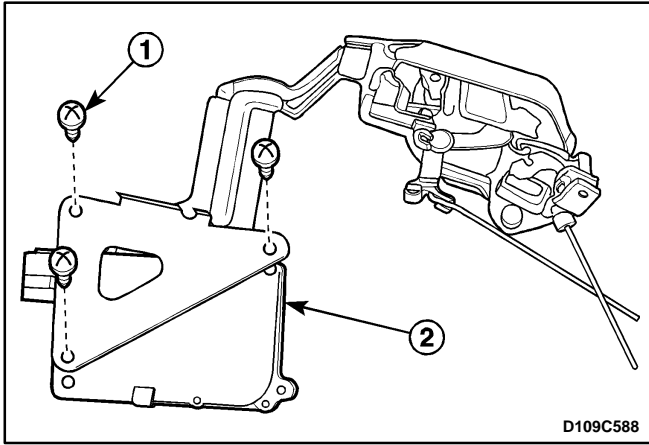
Installation Procedure

Notice: Dissimilar metals in direct contact with each other may corrode rapidly. Make sure to use the correct fasteners to prevent premature corrosion.

1. Install the rear door lock with the screws.

Important: Connect the actuator connector if equipped with the central door lock system.

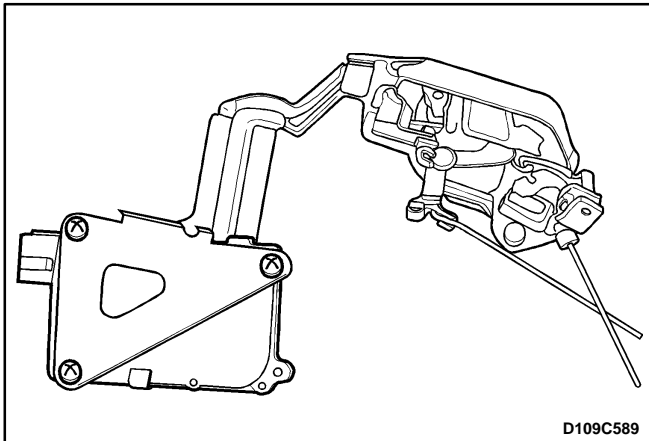
2. Connect the outside door handle rod to the door lock.
3. Install the guide rail with the screw.
4. Install the seal trim. Refer to "Door Seal Trim" in this section.
5. Install the door trim panel. Refer to *Section 9G, Interior Trim*.
6. Connect the negative battery cable if equipped with the central door lock system.



CENTRAL DOOR LOCK ACTUATOR

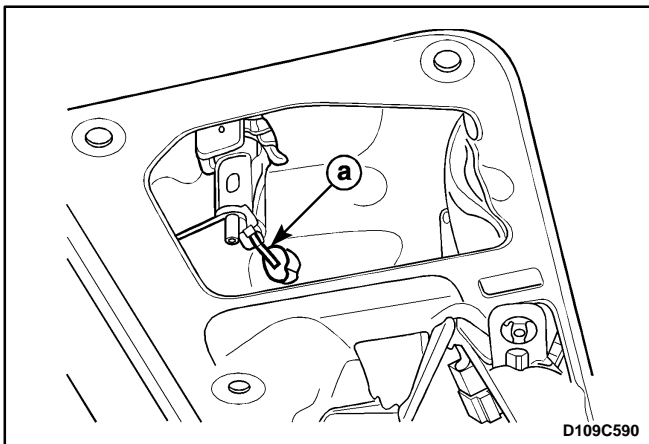
Removal Procedure

1. Disconnect the negative battery cable.
2. Remove the door seal trim. Refer to “Door Seal Trim” in this section.
3. Remove the door lock assembly. Refer to “Door Lock” in this section.
4. Remove the actuator from the door lock assembly.
 - Remove the screws (1).
 - Remove the actuator (2).



Installation Procedure

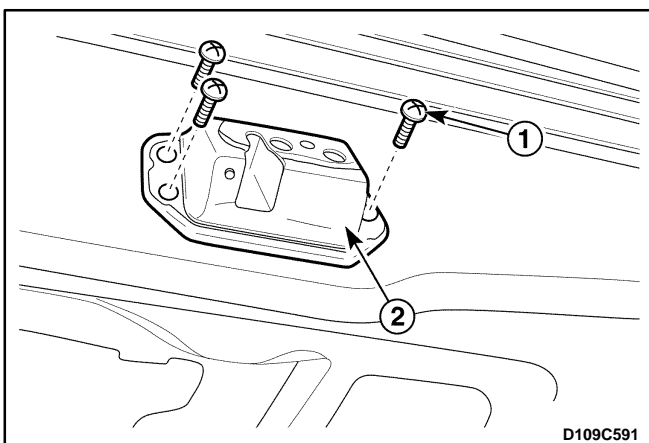
1. Install the door lock actuator to the door lock assembly with the screws.
2. Install the door lock assembly to the vehicle. Refer to “Door Lock” in this section.
3. Install the door seal trim. Refer to “Door Seal Trim” in this section.
4. Connect the negative battery cable.



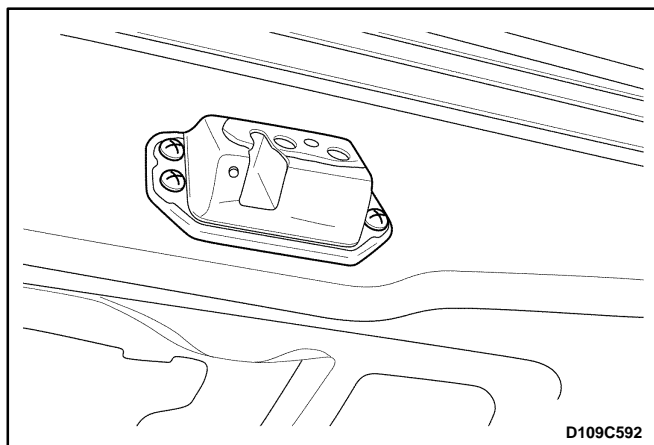
TAILGATE LOCK

Removal Procedure

1. Remove the tailgate trim panel. Refer to *Section 9G, Interior Trim*.
2. Remove the lock rod from the tailgate lock cylinder.
 - a. Lock rod.



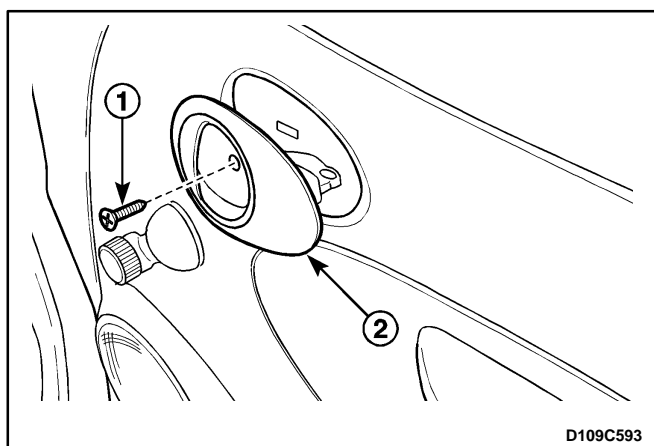
3. Remove the tailgate lock.
 - Remove the screws (1).
 - Remove the tailgate lock (2).



D109C592

Installation Procedure

1. Install the tailgate lock with the screws.
2. Install the lock rod to the tailgate lock cylinder.
3. Install the tailgate trim panel. Refer to *Section 9G, Interior Trim*.

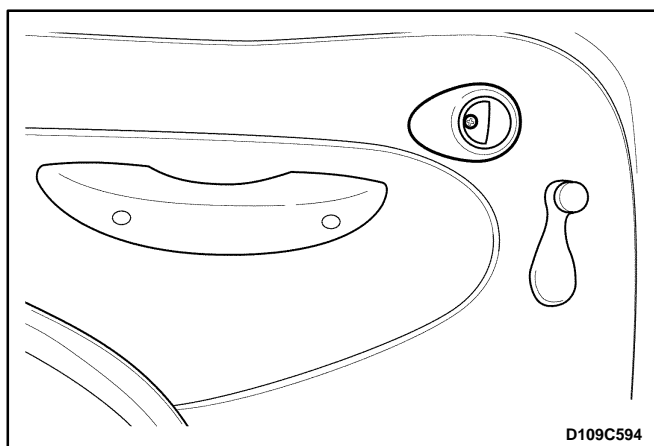


D109C593

INSIDE DOOR HANDLE

Removal Procedure

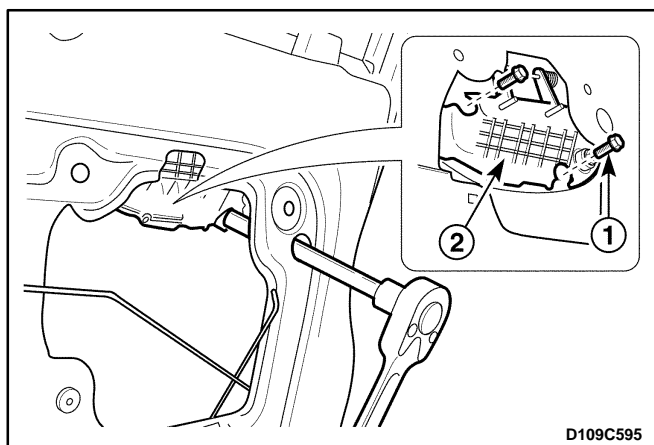
1. Remove the inside door handle.
 - Remove the screw (1).
 - Remove the inside door handle (2).



D109C594

Installation Procedure

1. Install the inside door handle with the screw.

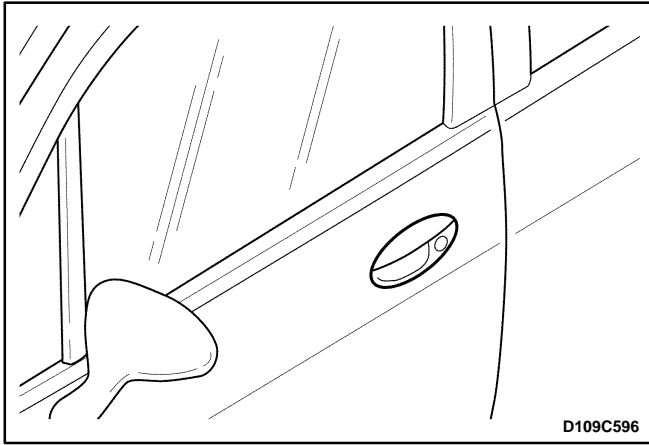


D109C595

OUTSIDE FRONT DOOR HANDLE

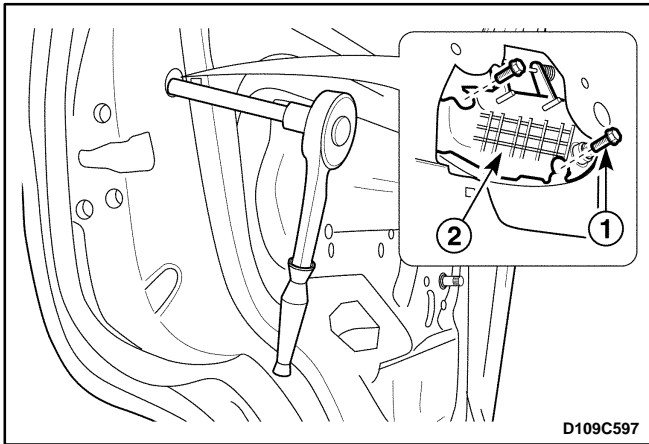
Removal Procedure

1. Disconnect the negative battery cable.
2. Remove the front door lock rods.
3. Remove the outside front door handle.
 - Remove the bolts (1).
 - Remove the outside front door handle (2).



Installation Procedure

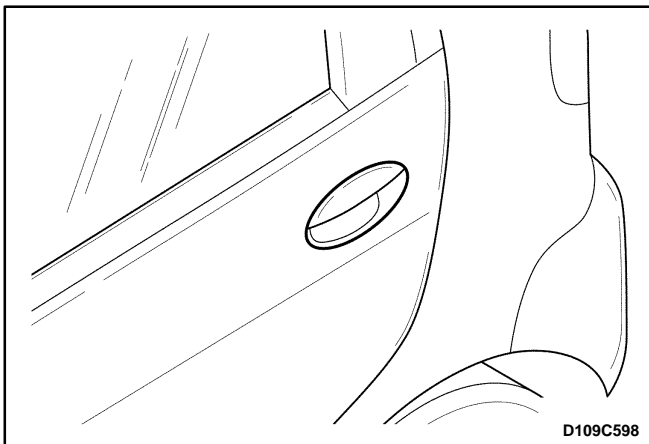
1. Install the outside front door lock handle with the bolts.
2. Install the front door lock rods.
3. Connect the negative battery cable.



OUTSIDE REAR DOOR HANDLE

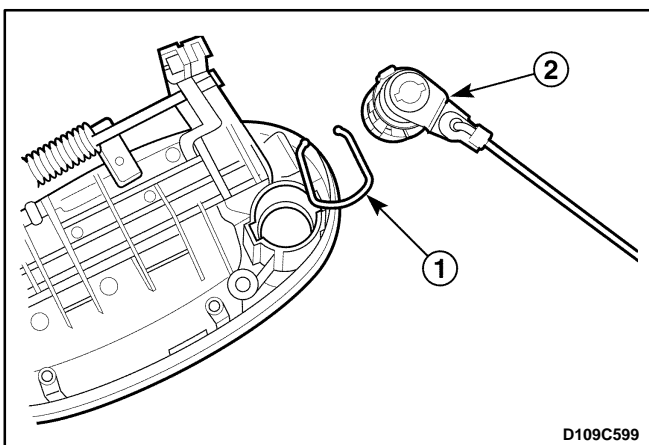
Removal Procedure

1. Disconnect the negative battery cable.
2. Remove the rear door lock. Refer to “Childproof Rear Door Lock” in this section.
3. Remove the outside rear door handle.
 - Remove the bolts (1).
 - Remove the outside rear door handle (2).



Installation Procedure

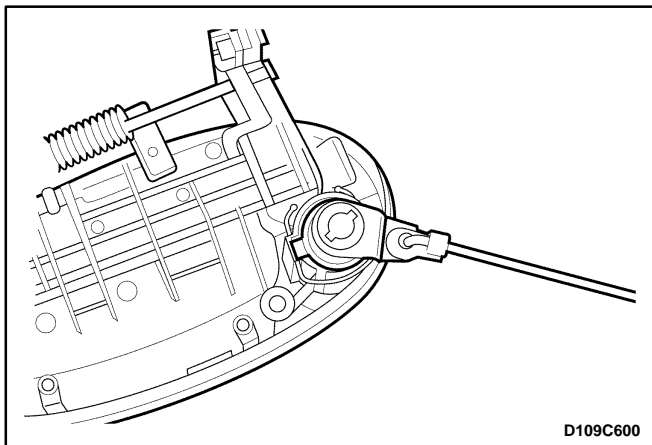
1. Install the outside rear door handle with the bolts.
2. Install the rear door lock. Refer to “Childproof Rear door Lock” in this section.
3. Connect the negative battery cable.



DOOR LOCK CYLINDER

Removal Procedure

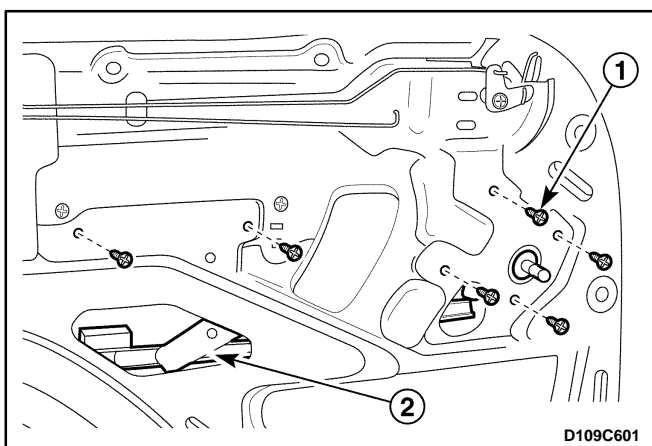
1. Disconnect the negative battery cable.
2. Remove the outside door handle. Refer to “Outside Front Door Handle” in this section.
3. Remove the door lock cylinder from the outside door handle.
 - Remove the clip (1).
 - Remove the door lock cylinder (2).



D109C600

Installation Procedure

1. Install the door lock cylinder with the clip.
2. Install the outside door handle. Refer to "Outside Front Door Handle" in this section.
3. Connect the negative battery cable.

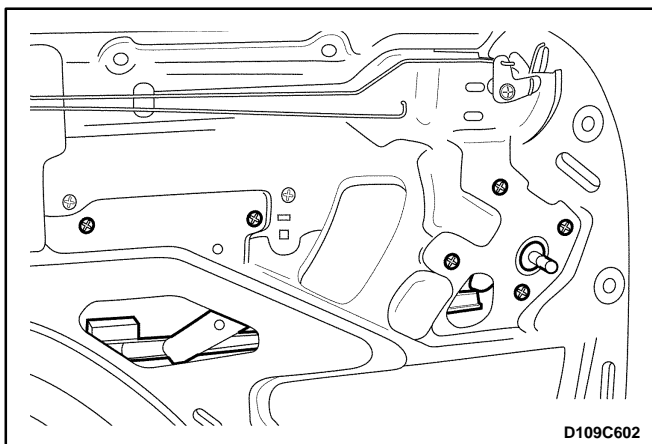


D109C601

MANUAL WINDOW REGULATOR

Removal Procedure

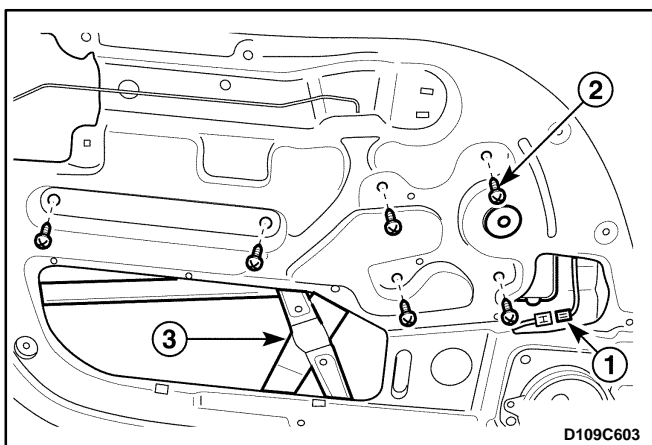
1. Remove the glass. Refer to *Section 9L, Glass and Mirrors*.
2. Remove the window regulator.
 - Remove the screws (1).
 - Remove the regulator (2).



D109C602

Installation Procedure

1. Install the regulator with the screws.
2. Install the glass. Refer to *Section 9L, Glass and Mirrors*.

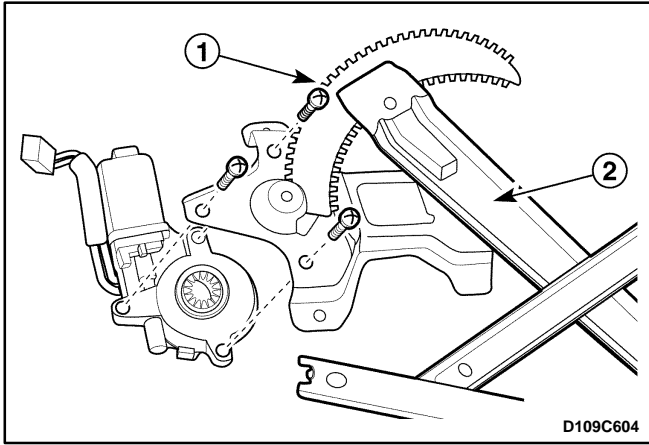


D109C603

POWER FRONT WINDOW REGULATOR

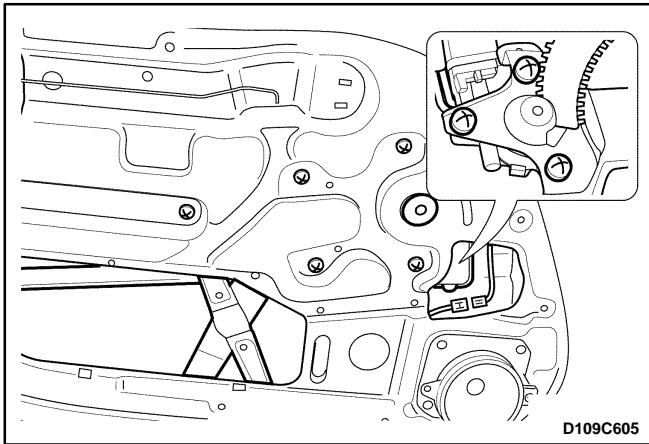
Removal Procedure

1. Disconnect the negative battery cable.
2. Remove the glass. Refer to *Section 9L, Glass and Mirrors*.
3. Remove the window regulator assembly.
 - Disconnect the window motor electrical connector (1).
 - Remove the screws (2).
 - Remove the window regulator assembly (3).



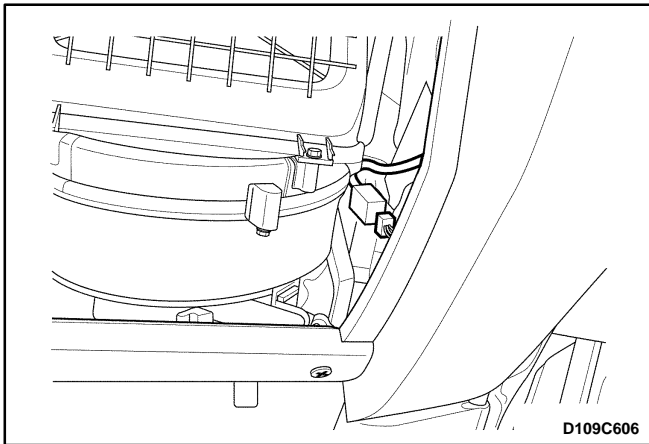
4. Remove the window motor from the window regulator.
 - Remove the screws (1).
 - Remove the window regulator (2).

Caution: Be careful what you are doing when separating the window motor and the window regulator. You may be hurt.



Installation Procedure

1. Install the window motor to the window regulator with the screws.
2. Install the window regulator assembly with the screws.
3. Connect the window motor electrical connector.
4. Install the glass. Refer to Section 9L, Glass and Mirrors.
5. Connect the negative battery cable.

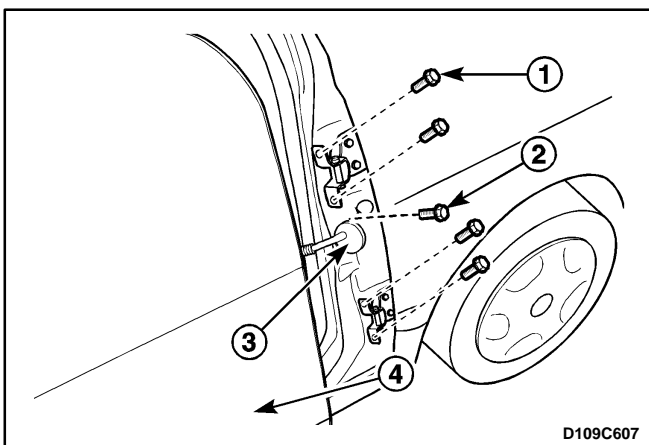


FRONT DOOR ASSEMBLY

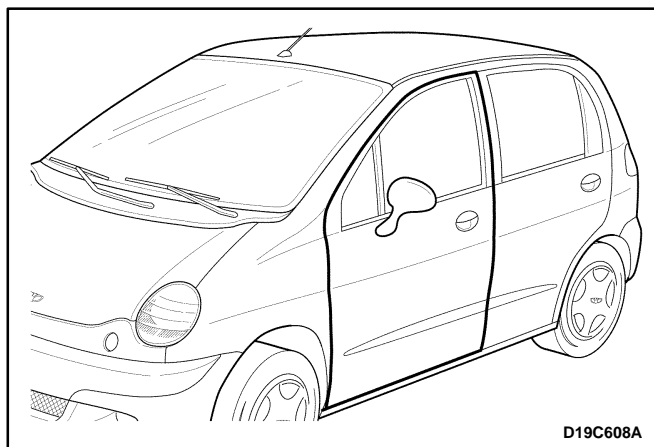
Removal Procedure

1. Disconnect the negative battery cable.
2. Disconnect the electrical connector under the instrument panel.

Important: In case of the front passenger door, remove the glove box in advance.



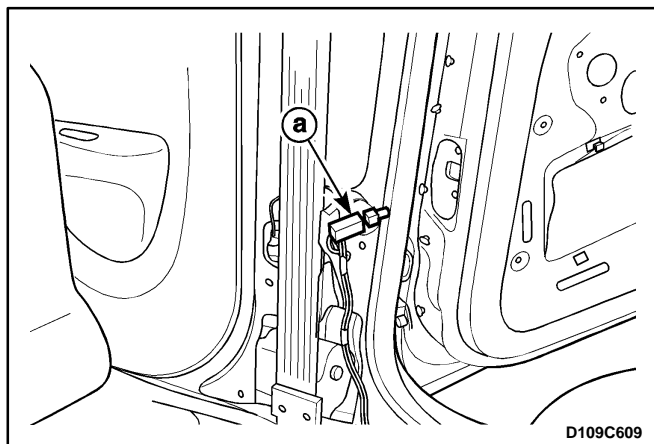
3. Remove the fender. Refer to Section 9R, Body Front End.
4. Remove the front door assembly.
 - Remove the door hinge bolts (1).
 - Remove the door hold open bolt (2).
 - Disconnect the body-to-door rubber grommet (3).
 - Remove the front door assembly (4).



Installation Procedure

Notice: Dissimilar metals in direct contact with each other may corrode rapidly. Make sure to use the correct fastener to prevent premature corrosion.

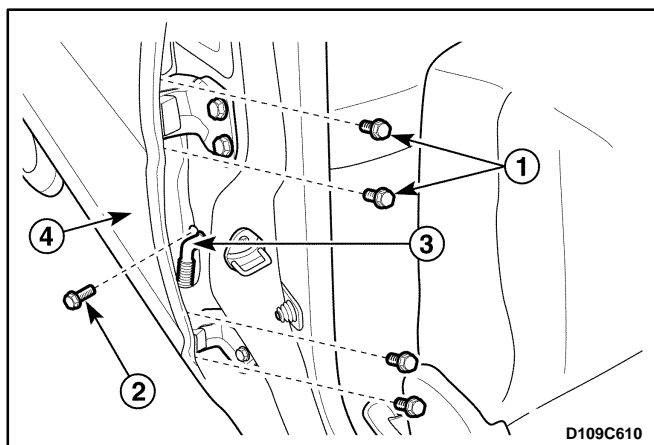
1. Connect the body-to-door rubber grommet.
2. With the aid of another technician, lightly secure the front door with the bolts.
3. Adjust the door for proper fit.
4. Tighten the hinge-to-body bolts.
5. Install the door hold open link with the bolt.
6. Install the fender. Refer to *Section 9R, Body Front End*.
7. Connect the electrical connector.
8. Connect the negative battery cable.
9. Perform the waterleak test. Refer to *Section 9I, Waterleak*.
10. Check for windnoise. Refer to *Section 9J, Windnoise*.

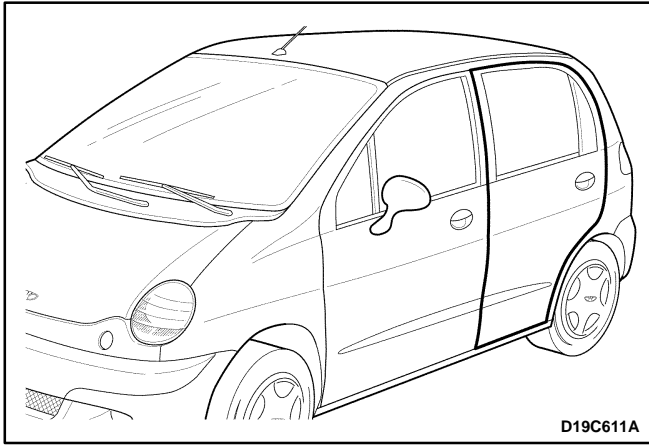


REAR DOOR ASSEMBLY

Removal Procedure

1. Disconnect the negative battery cable.
2. Pry off the lower B-pillar trim panel. Refer to *Section 9G, Interior Trim*.
3. Disconnect the rear door electrical connector.
 - a. Rear door electrical connector.
4. Remove the rear door assembly.
 - Remove the door hinge bolts (1).
 - Remove the door hold open link bolt (2).
 - Disconnect the body-to-door rubber grommet (3).
 - Remove the rear door assembly (4).



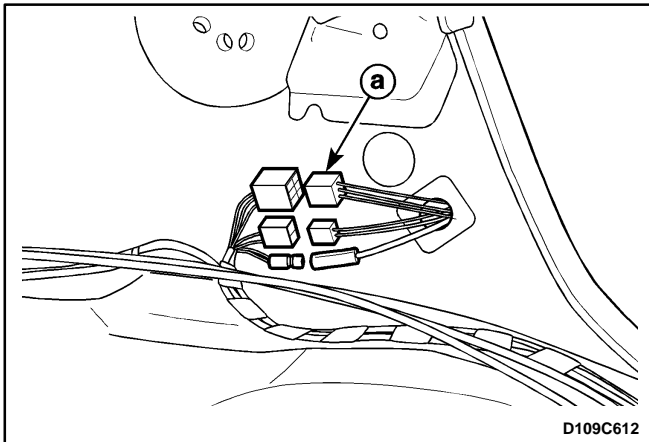


D19C611A

Installation Procedure

Notice: Dissimilar metals in direct contact with each other may corrode rapidly. Make sure to use the correct fastener to prevent premature corrosion.

1. Connect the body-to-door rubber grommet.
2. With the aid of another technician, lightly secure the rear door with the bolts.
3. Adjust the door for proper fit.
4. Install the door hold open link with the bolt.
5. Connect the rear door electrical connector.
6. Connect the negative battery cable.
7. Perform the waterleak test. Refer to *Section 9I, Waterleaks*.
8. Check for windnoise. Refer to *Section 9J, Windnoise*.

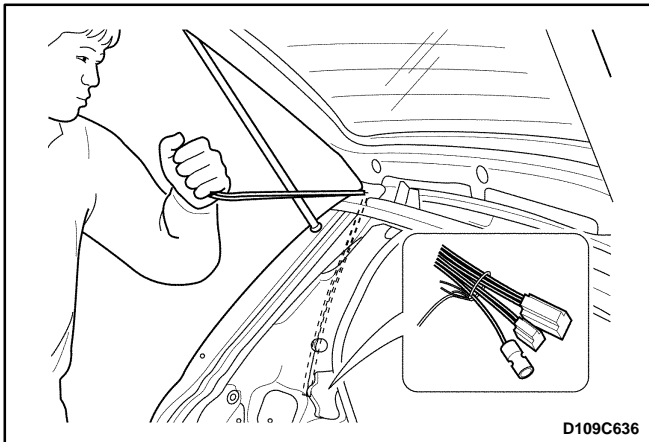


D109C612

TAILGATE

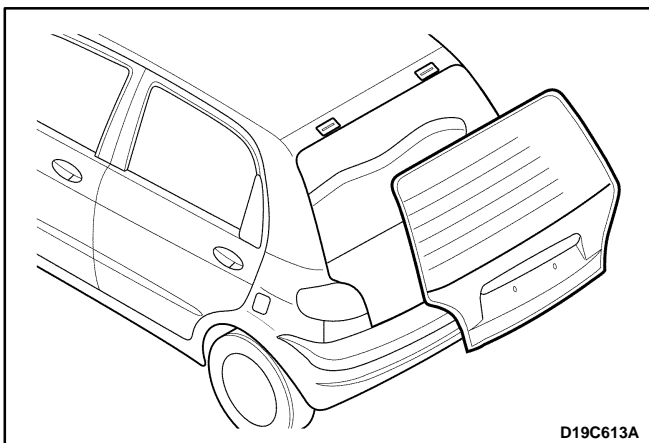
Removal Procedure

1. Disconnect the negative battery cable.
2. Remove the luggage compartment wheelhouse trim panel. Refer to *Section 9G, Interior Trim*.
3. Disconnect the tailgate electrical connector.
 - a. Tailgate electrical connector.

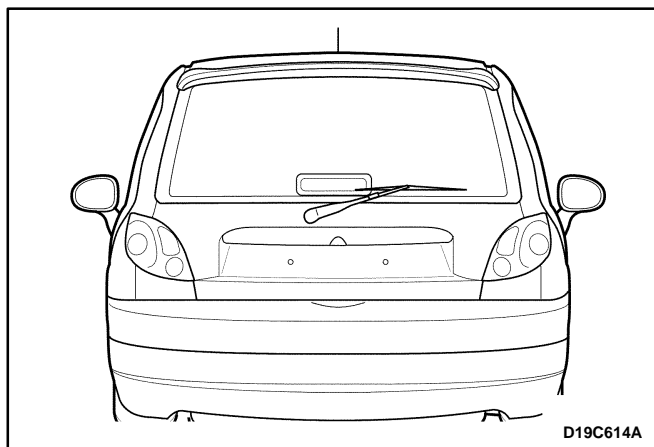


D109C636

4. Remove the tailgate strut. Refer to "Tailgate Strut" in this section.
5. Remove the tailgate.
 - Remove the hinge bolts.
 - Disconnect the body-to-tailgate rubber grommet.
 - Remove the tailgate.



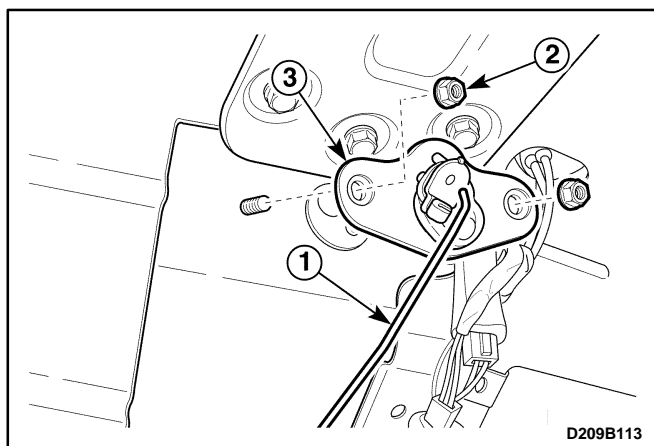
D19C613A



Installation Procedure

Notice: Dissimilar metals in direct contact with each other may corrode rapidly. Make sure to use the correct fastener to prevent premature corrosion.

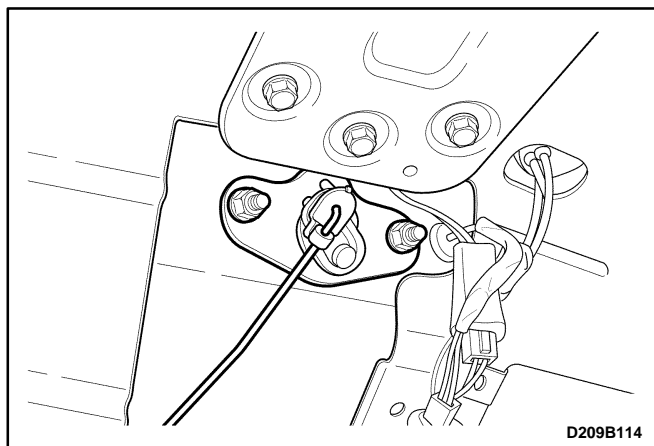
1. Connect the body-to-tailgate rubber grommet.
2. With the aid of another technician, lightly secure the tailgate with the bolts.
3. Adjust the tailgate for proper fit.
4. Install the tailgate strut. Refer to "Tailgate Strut" in this section.
5. Connect the tailgate electrical connector.
6. Install the luggage compartment wheelhouse trim panel. Refer to *Section 9G, Interior Trim*.
7. Connect the negative battery cable.



TAILGATE LOCK CYLINDER

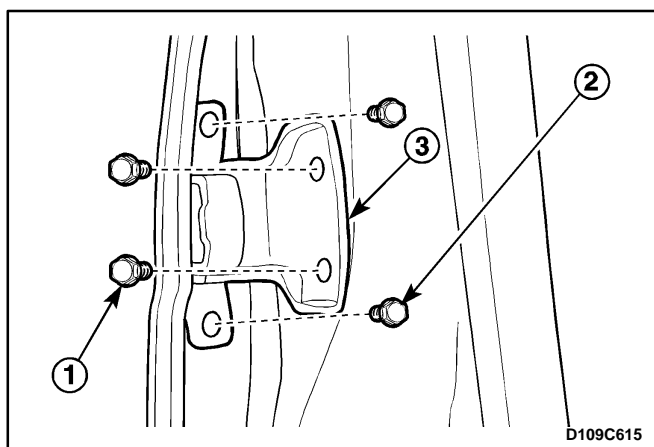
Removal Procedure

1. Disconnect the negative battery cable.
2. Open the tailgate.
3. Remove the rear window wiper motor assembly. Refer to *Section 9D, Wipers/Washer Systems*.
4. Remove the tailgate lock cylinder.
 - Disconnect the tailgate lock rod (1).
 - Remove the nuts from the tailgate lock cylinder (2).
 - Remove the tailgate lock cylinder (3).



Installation Procedure

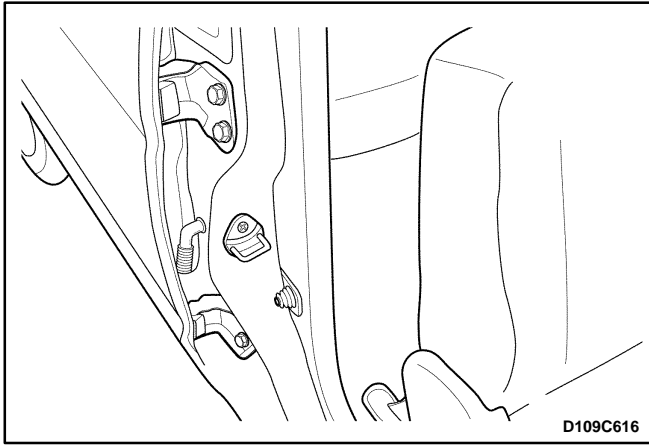
1. Install the tailgate lock cylinder.
2. Install the rear window wiper motor assembly. Refer to *Section 9D, Wipers/Washer Systems*.
3. Connect the negative battery cable.



DOOR HINGE

Removal Procedure

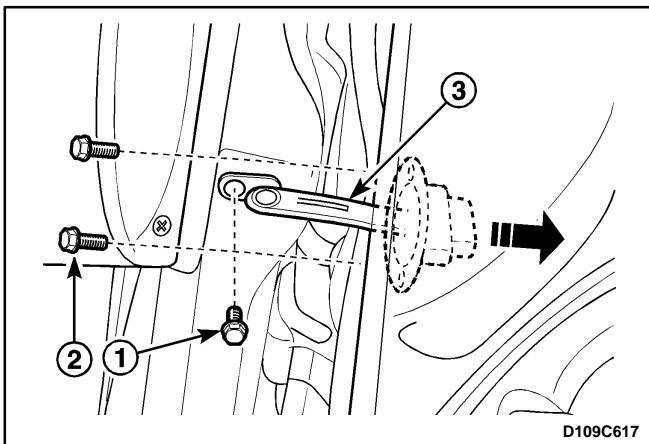
1. With the aid of another technician, remove the door hinge.
 - Remove the hinge-to-body bolts (1).
 - Remove the hinge-to-door bolts (2).
 - Remove the door hinge (3).



Installation Procedure

Notice: Dissimilar metals in direct contact with each other may corrode rapidly. Make sure to use the correct fastener to prevent premature corrosion.

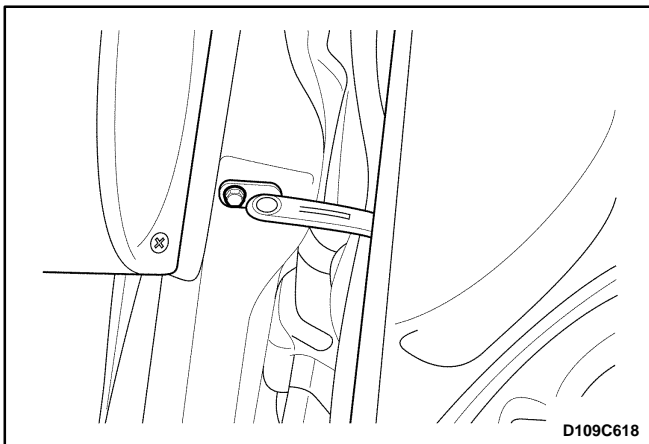
1. With the aid of another technician, install the hinge to the door and the body with the bolts.



DOOR HOLD OPEN LINK

Removal Procedure

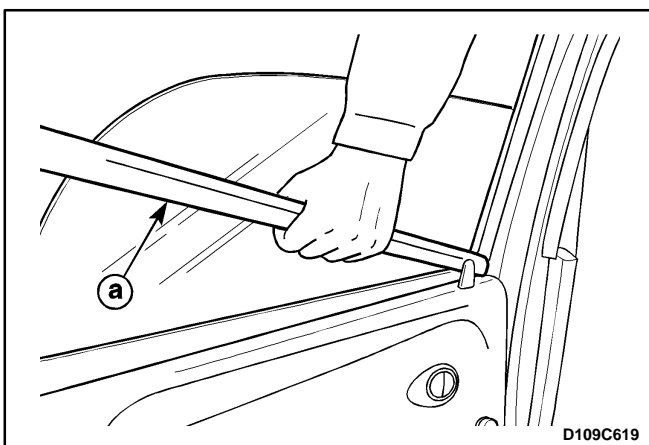
1. Remove the door seal trim. Refer to “Door Seal Trim” in this section.
2. Remove the door hold open link.
 - Remove the hinge-to-body bolt (1).
 - Remove the hinge-to-door bolts (2).
 - Remove the door hold open link (3).



Installation Procedure

Notice: Dissimilar metals in direct contact with each other may corrode rapidly. Make sure to use the correct fastener to prevent premature corrosion.

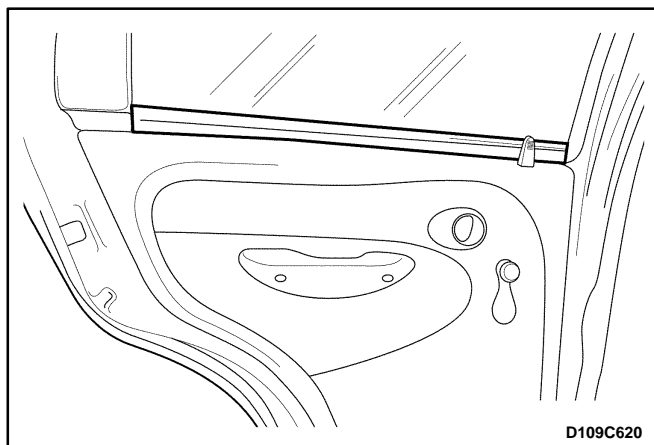
1. Install the door hold open link to the door and the body with the bolts.
2. Remove the door seal trim. Refer to “Door Seal Trim” in this section.



INSIDE CHANNEL WEATHERSTRIP (STANDARD)

Removal Procedure

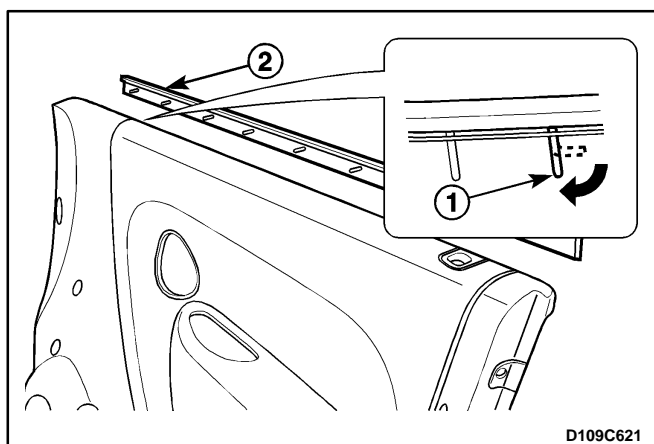
1. Remove the channel weatherstrip.
 - a. Weatherstrip.



D109C620

Installation Procedure

1. Install the channel weatherstrip.

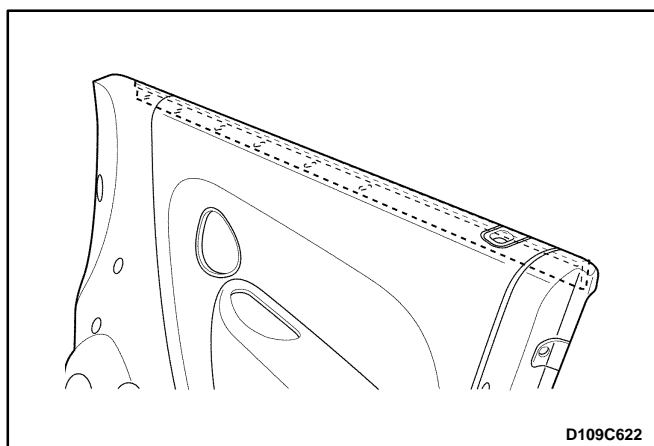


D109C621

INSIDE CHANNEL WEATHERSTRIP (DELUXE)

Removal Procedure

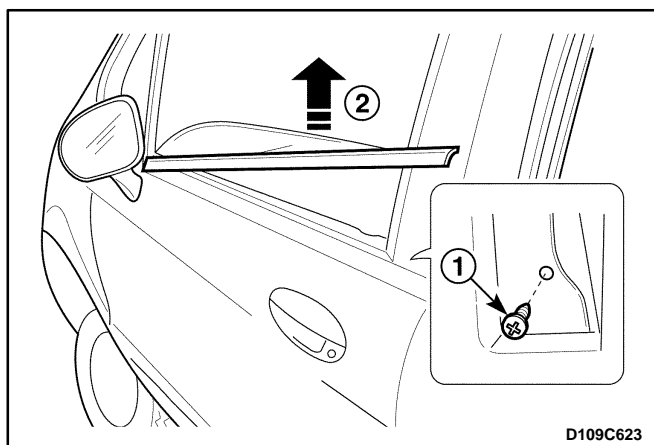
1. Remove the door trim. Refer to *Section 9G, Interior Trim*.
2. Remove the channel weatherstrip from the door trim.
 - Straighten the retaining tabs (1).
 - Remove the channel weatherstrip (2).



D109C622

Installation Procedure

1. Install the channel weatherstrip onto the door trim panel.
2. Bend the retaining tabs to secure the channel weatherstrip to the door trim panel.
3. Install the door trim panel. Refer to *Section 9G, Interior Trim*.

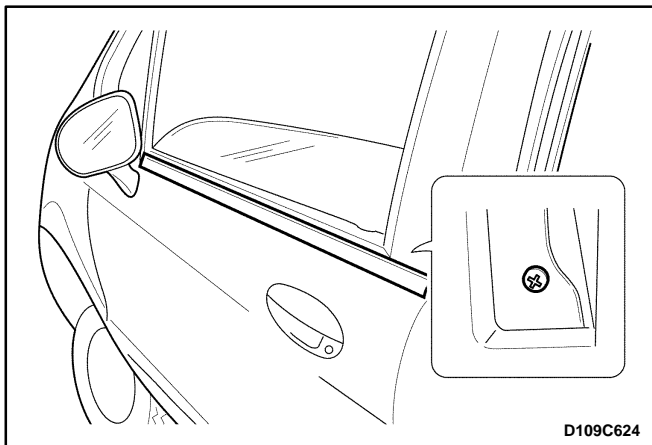


D109C623

DOOR OUTSIDE CHANNEL WEATHERSTRIP

Removal Procedure

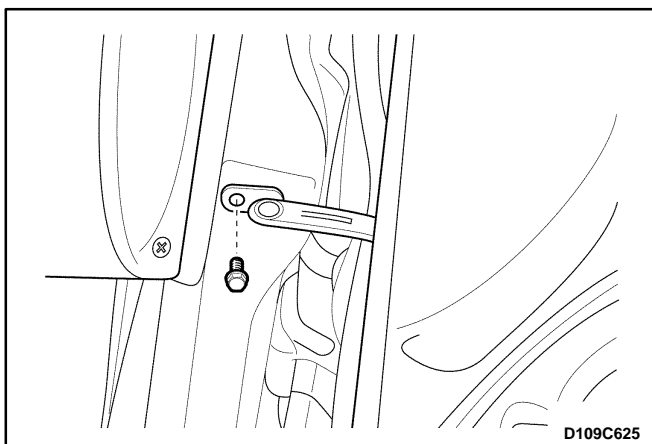
1. Remove the channel weatherstrip.
 - Remove the screw (1).
 - Lift off the outside channel weatherstrip (2).



D109C624

Installation Procedure

1. Press the outside channel weatherstrip onto the door.
2. Install the weatherstrip screw.

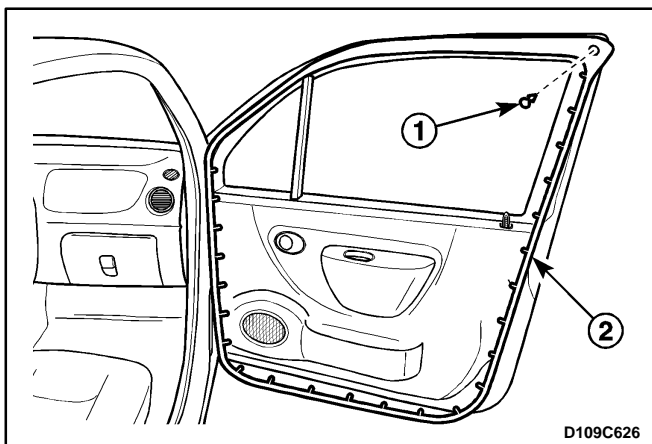


D109C625

DOOR WEATHERSTRIP

Removal Procedure

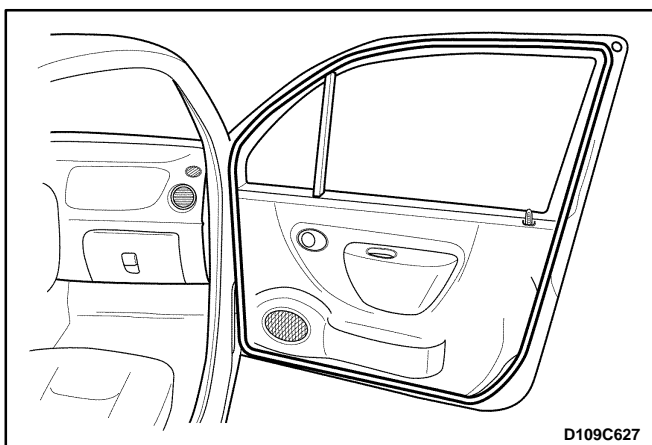
1. Remove the door hold open link bolt.



D109C626

2. Remove the door weatherstrip.

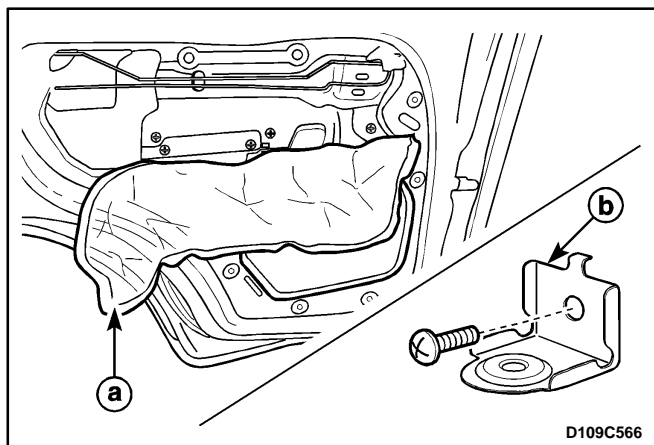
- Remove the clip (1).
- Remove the weatherstrip pins (2).



D109C627

Installation Procedure

1. Install the door weatherstrip with the clip and the pins.
2. Install the door hold open link bolt.

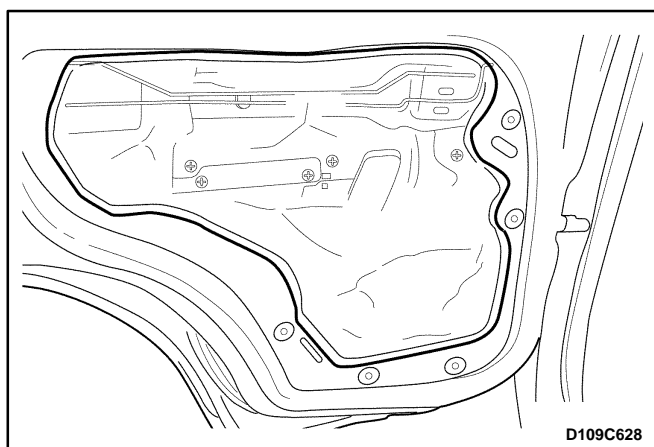


DOOR SEAL TRIM

Removal Procedure

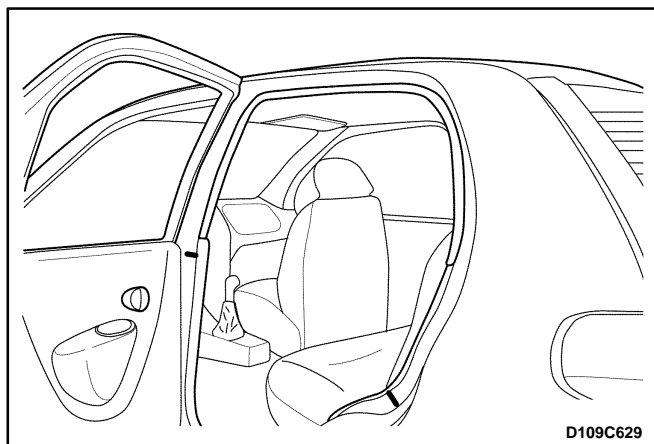
1. Remove the door trim panel. Refer to *Section 9G, Interior Trim*.
2. Remove the door seal trim.
 - a. Door seal trim.
 - b. Door pocket handle bracket.

Important: In case of the deluxe trim, remove the door pocket handle bracket in advance.



Installation Procedure

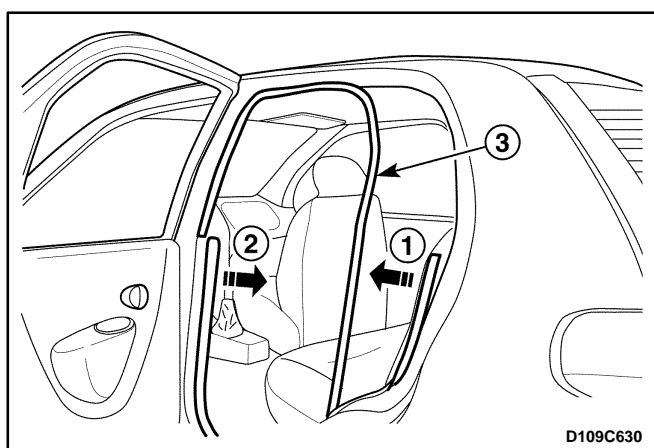
1. Install the door seal trim.
2. Install the door pocket handle bracket for the deluxe trim.
3. Install the door trim panel. Refer to *Section 9G, Interior Trim*.



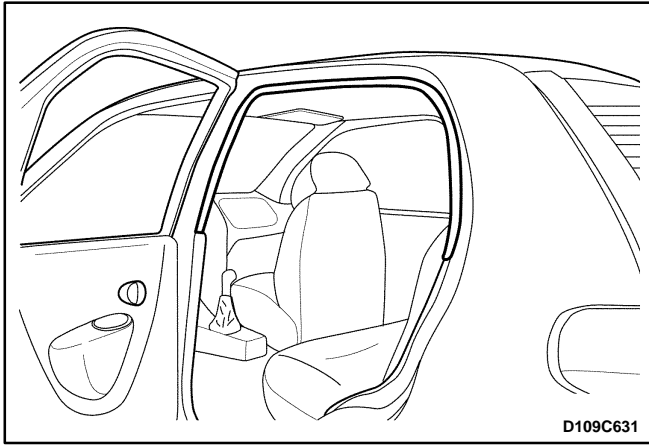
DOOR OPENING WEATHERSTRIP

Removal Procedure

1. Mark the door opening weatherstrip edge by a soluble pen.

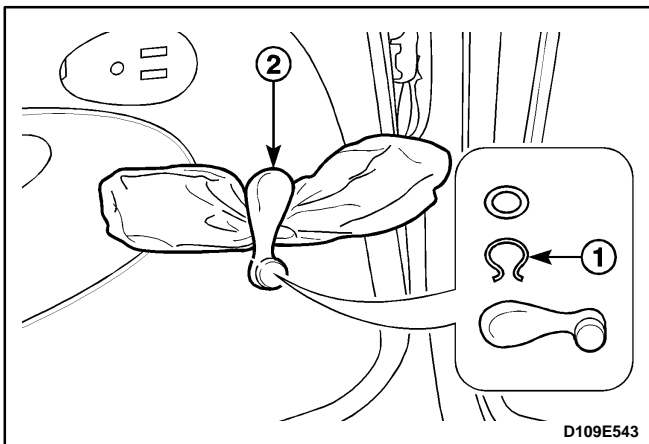


2. Remove the door opening weatherstrip.
 - Take off the rocker trim panel partially (1).
 - Take off the lower B-pillar trim panel partially (2).
 - Remove the door opening weatherstrip (3).



Installation Procedure

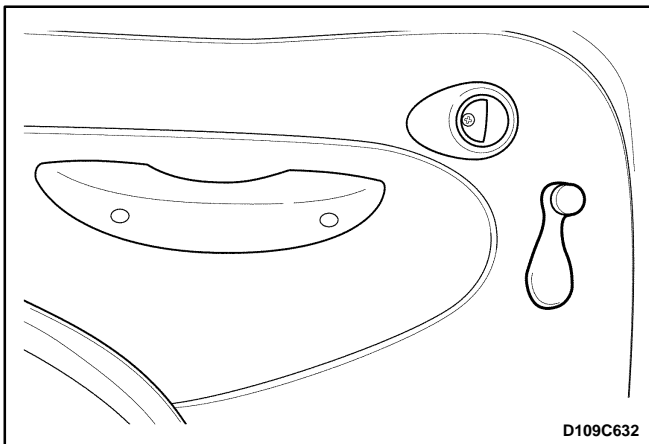
1. Install the door opening weatherstrip to match the marking.
2. Install the rocker panel trim and the lower B-pillar panel trim.



MANUAL WINDOW REGULATOR HANDLE

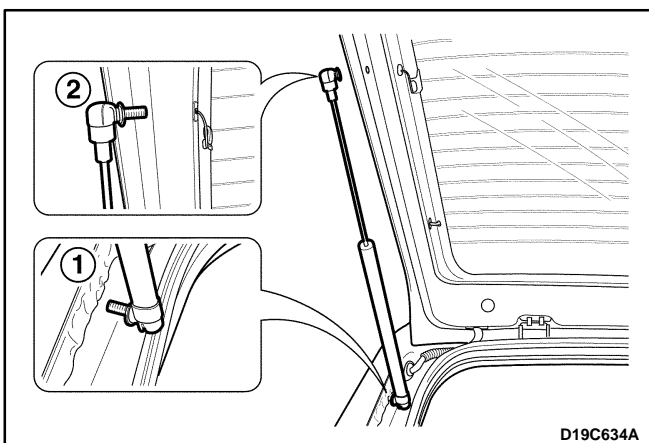
Removal Procedure

1. Remove the window regulator handle.
 - Using a cloth, pull out the clip (1).
 - Remove the window regulator handle (2).



Installation Procedure

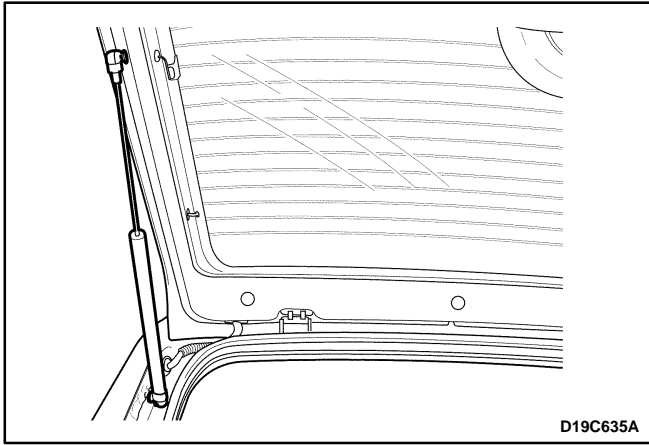
1. Install the window regulator handle with the clip.



TAILGATE STRUT

Removal Procedure

1. Open the tailgate and suitably support it.
2. Remove the tailgate strut assembly.
 - Remove the end fitting nut from the ball studs (rear body) (1).
 - Remove the end fitting nut from the ball studs (tailgate) (2).

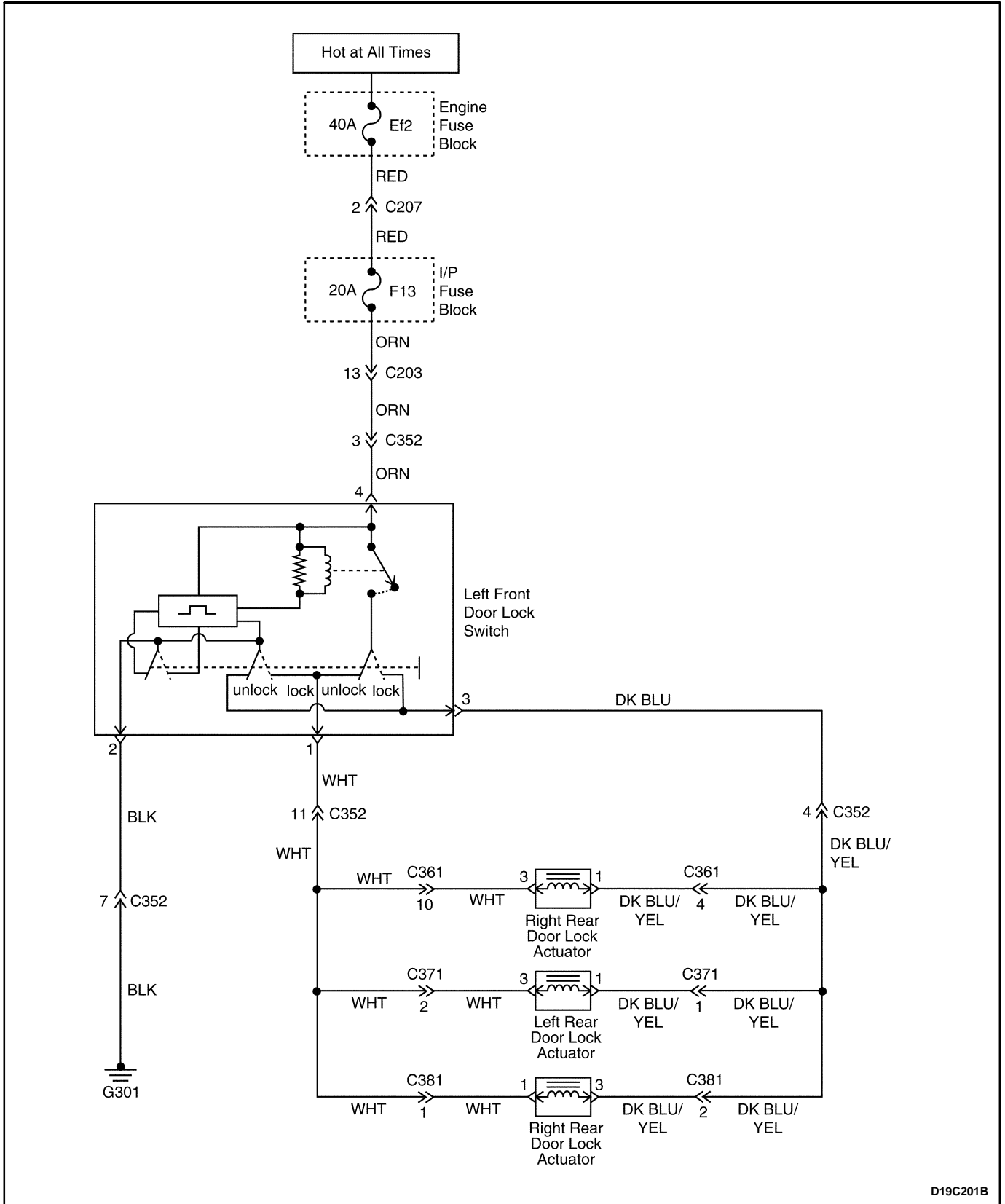


Installation Procedure

1. Install the tailgate strut with the ball studs.

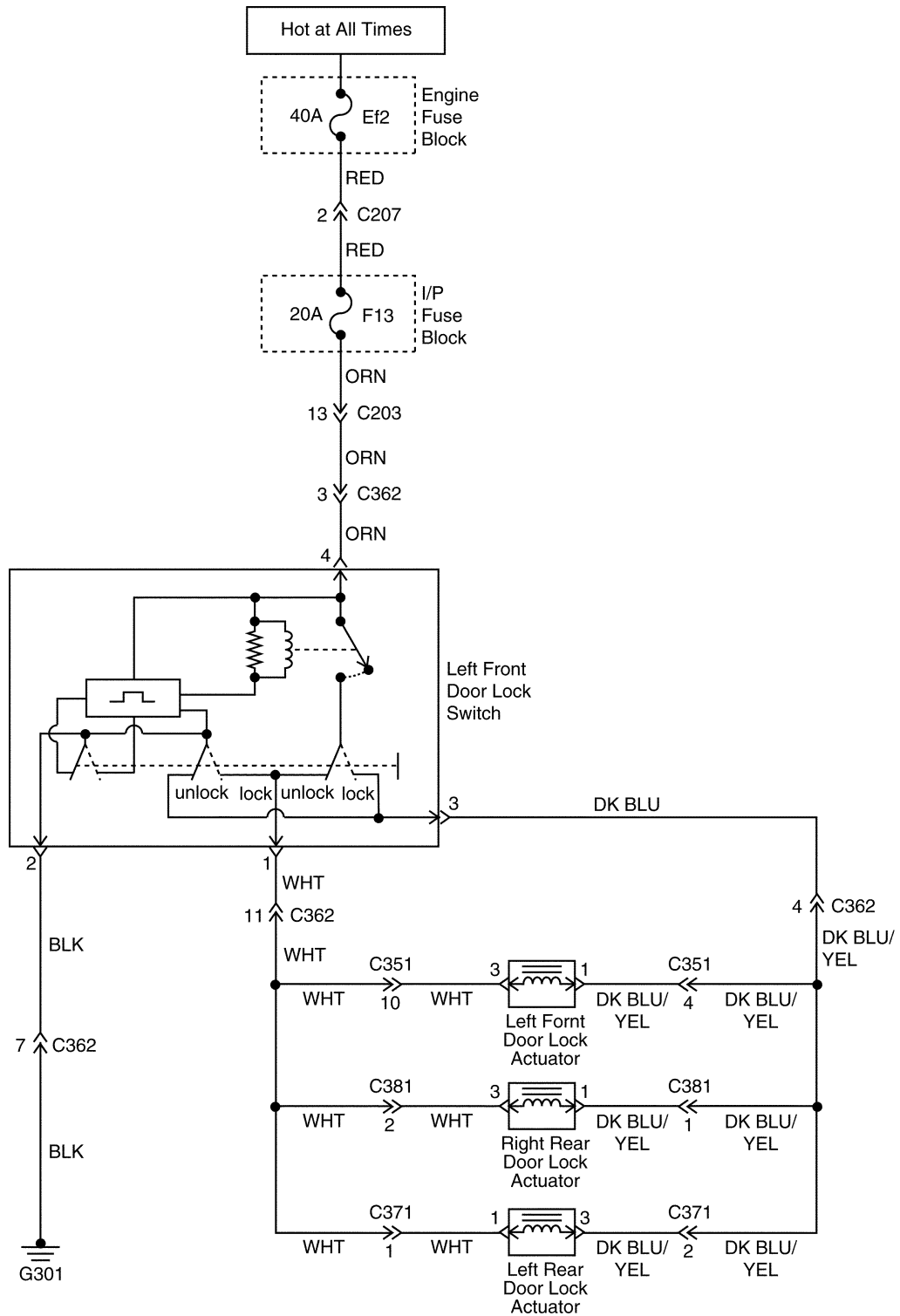
SCHEMATIC AND ROUTING DIAGRAMS

POWER DOOR LOCKS (LEFT-HAND DRIVE)



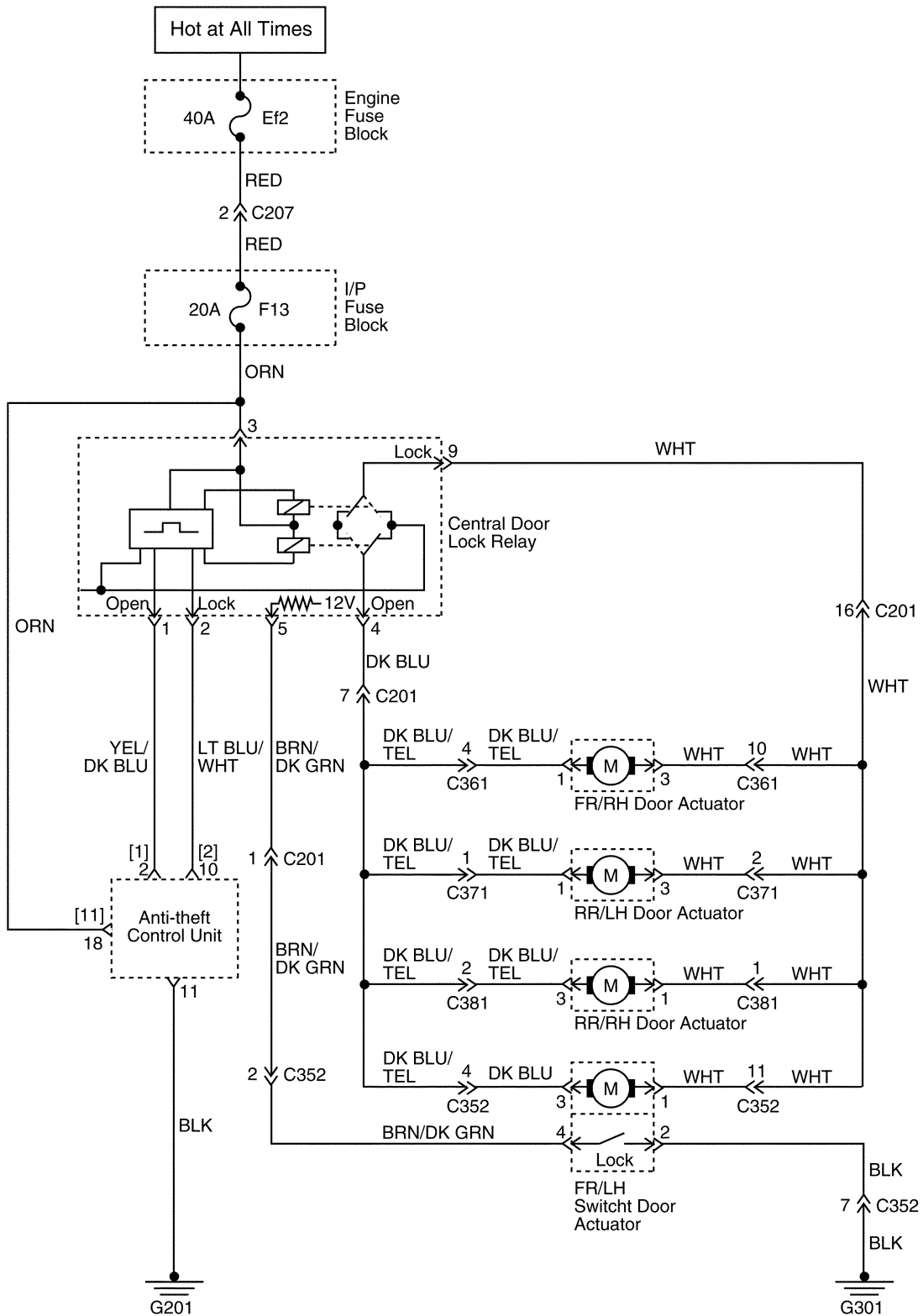
D19C201B

POWER DOOR LOCKS (RIGHT-HAND DRIVE)



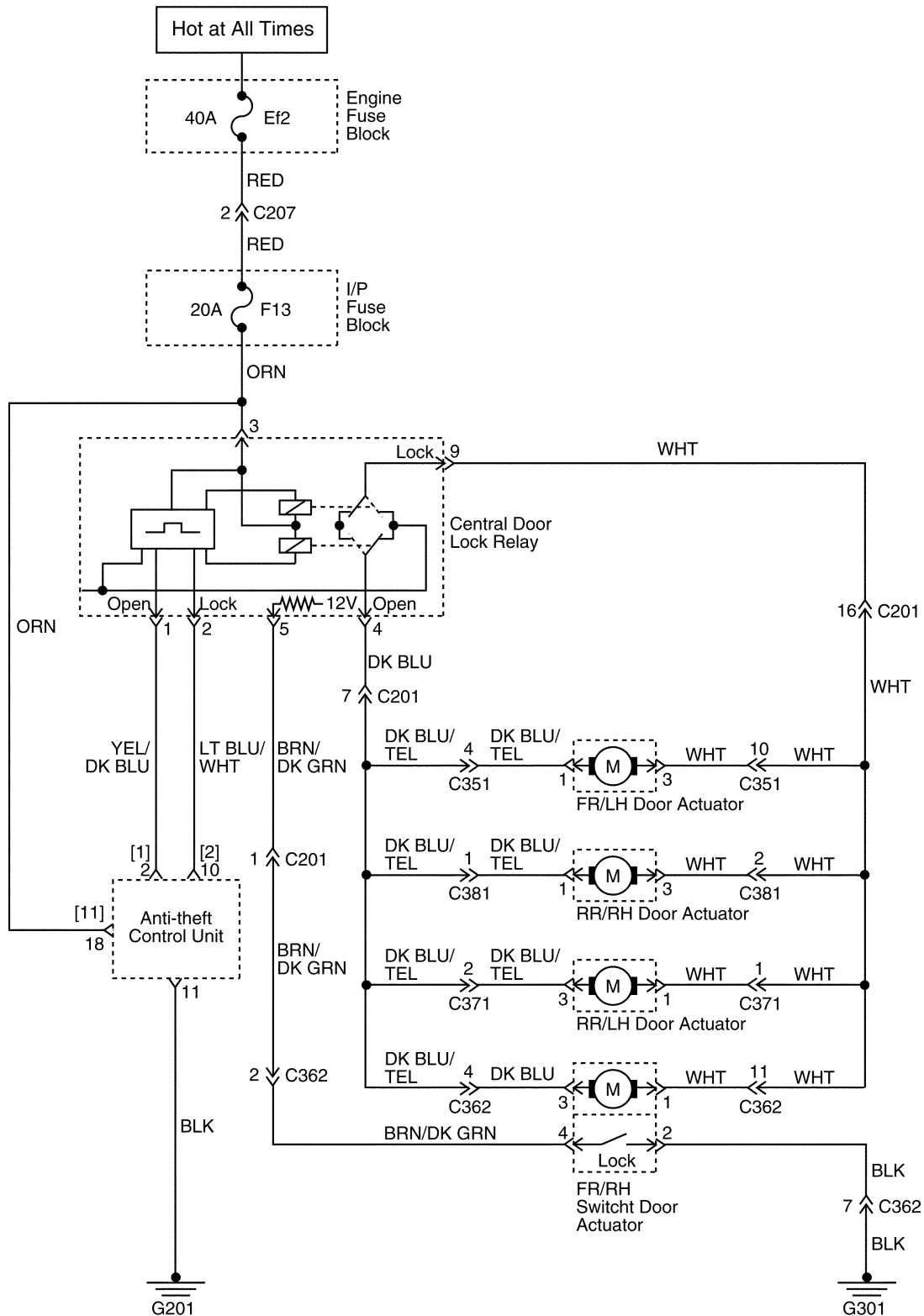
POWER DOOR LOCKS (W/ ANTI-THEFT CONTROL : LHD)

[] : W/FRT Fog Lamp Switch

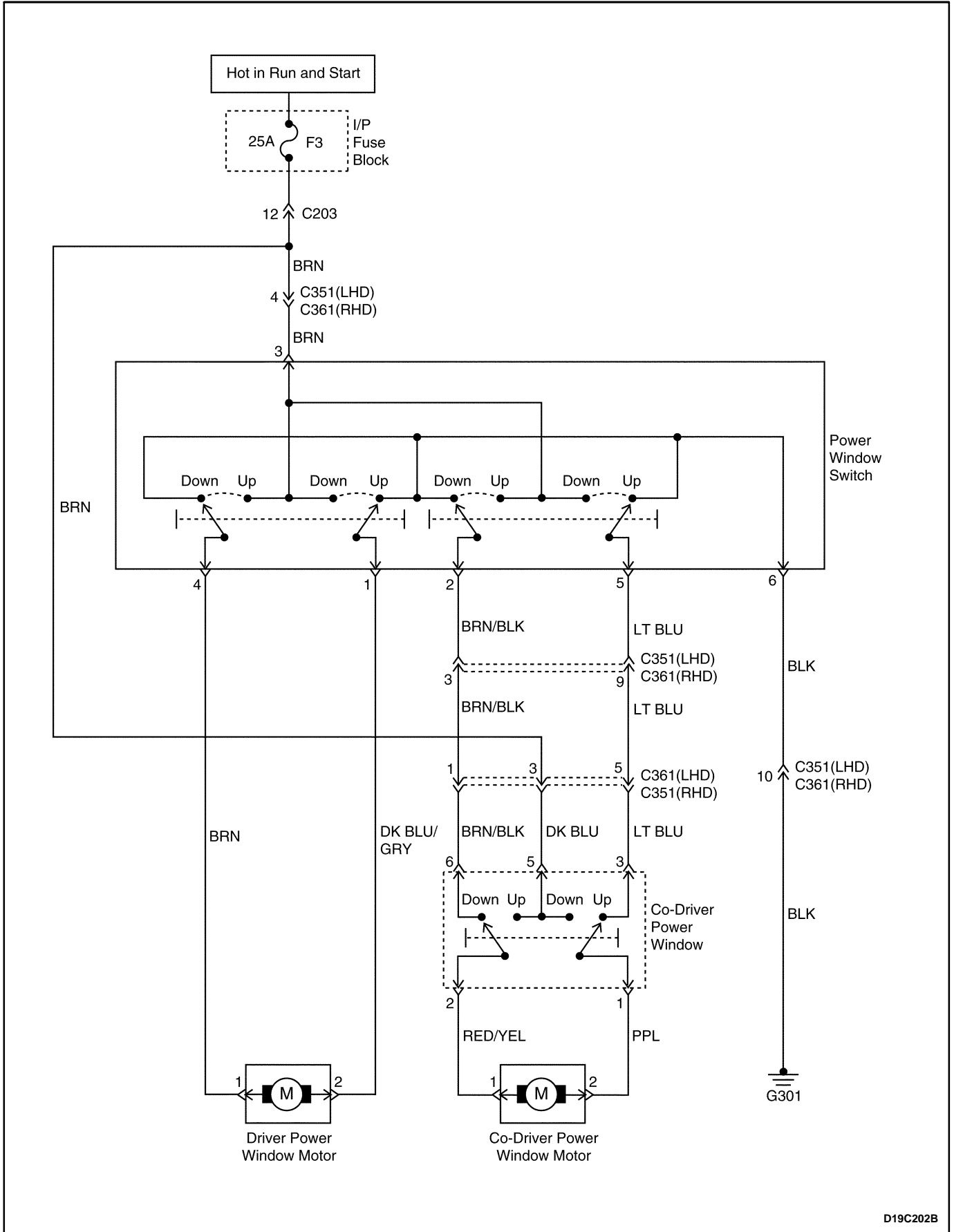


POWER DOOR LOCKS (W/ ANTI-THEFT CONTROL : RHD)

[] : W/FRT Fog Lamp Switch



POWER WINDOWS (FRONT ONLY)



D19C202B