

WT2

Arrayable two-way compact theatre enclosure

features

- ▶ Arrayable compact trapezoid enclosure
- ▶ High SPL output capability
- ▶ 70° coverage angle
- ▶ Multi-laminate birch plywood construction
- ▶ Switchable active/passive operation
- ▶ Certified MAN quick-connect flying option

applications

- ▶ Theatre sound systems
- ▶ Club sound reinforcement
- ▶ Music playback in nightclubs



touring and theatre

The WT2 is a powerful, compact theatre system which can be used as a stand-alone enclosure in a distributed system or arrayed in multiples. The switchable active/passive two-way cabinet is very efficient, combining smooth dynamic full-frequency performance with excellent articulation, utilising high power drive units for maximum SPL.

Optimum performance is achieved with the MX5 or DX1 controller configured for the WT2 to perform system specific equalisation, phase adjustment, crossover and limiter functions. With a Wavefront Series sub-bass system, ultra-low frequency enhancement takes the power bandwidth to below 35Hz.

Century Point, Halifax Road, Cressex Business Park,
High Wycombe, Buckinghamshire HP12 3SL, England.
Telephone: +44 (0)1494 535312 Facsimile: +44 (0)1494 438669
E-mail: info@martin-audio.com
All information is Copyright © 2006 Martin Audio Ltd.

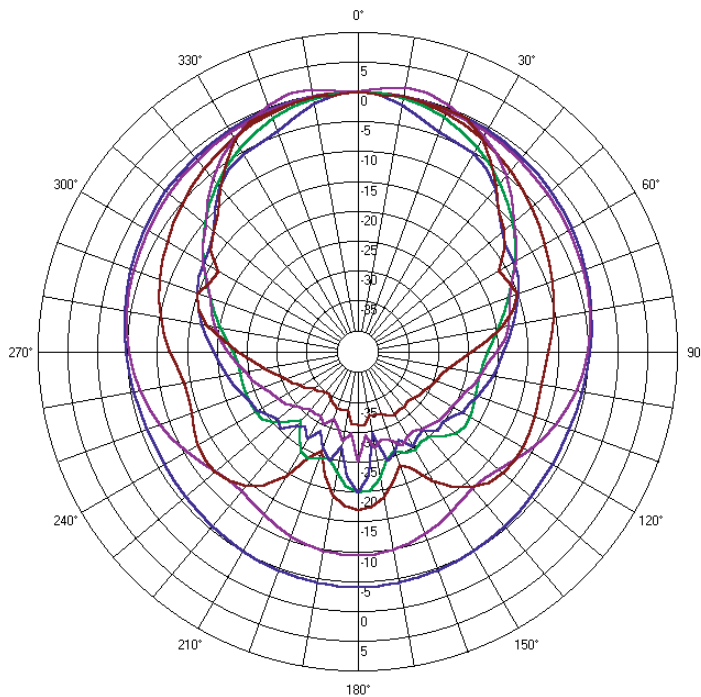
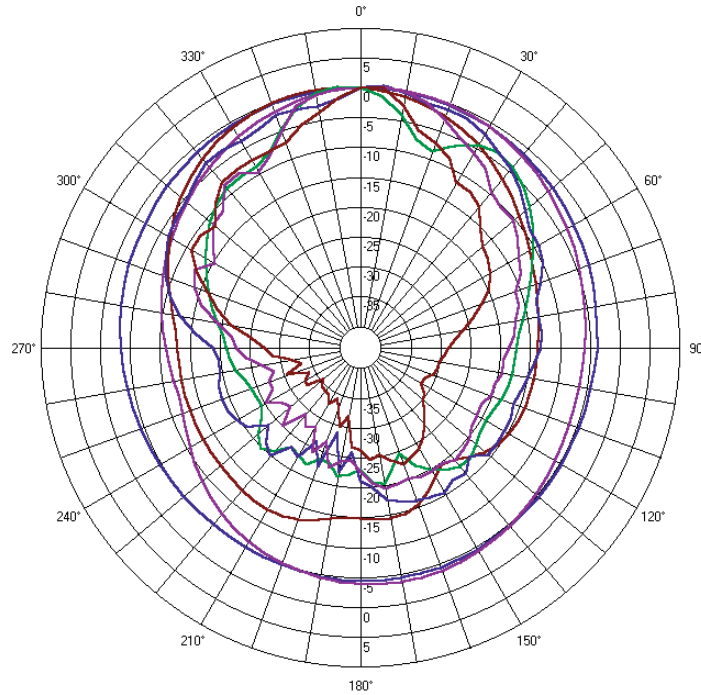


WT2

Arrayable two-way compact theatre enclosure

polar plots

touring and theatre



Century Point, Halifax Road, Cressex Business Park,
High Wycombe, Buckinghamshire HP12 3SL, England.
Telephone: +44 (0)1494 535312 Facsimile: +44 (0)1494 438669
E-mail: info@martin-audio.com
All information is Copyright © 2006 Martin Audio Ltd.



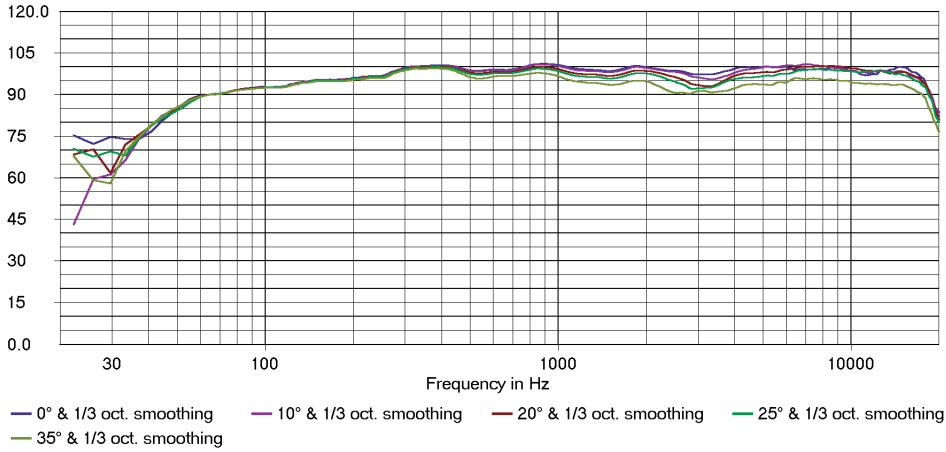
WT2

Arrayable two-way compact theatre enclosure

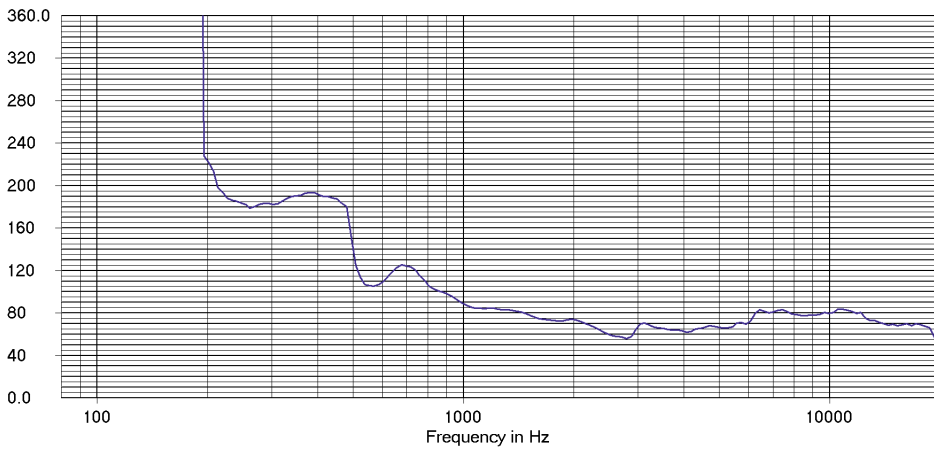
frequency responses

touring and theatre

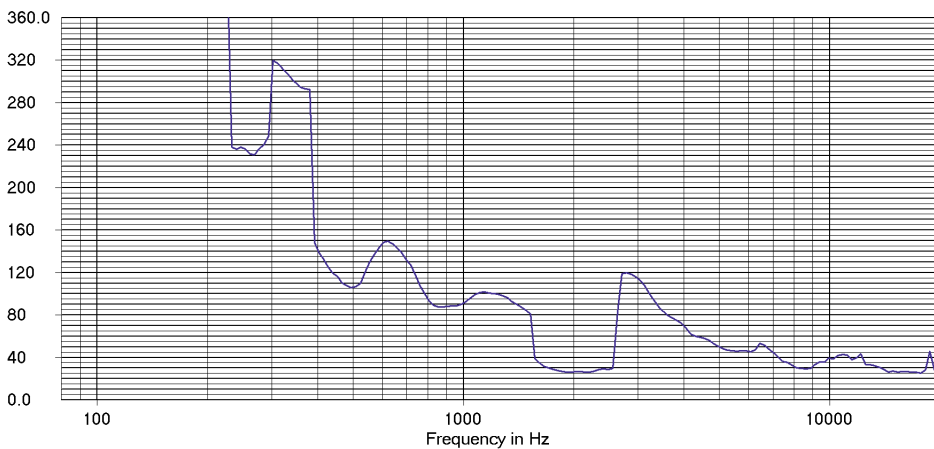
WT2 Horizontal Magnitude in dB SPL/2.83V at 1 meter



WT2 Horizontal Beamwidth



WT2 Vertical Beamwidth



Century Point, Halifax Road, Cressex Business Park,
High Wycombe, Buckinghamshire HP12 3SL, England.
Telephone: +44 (0)1494 535312 Facsimile: +44 (0)1494 438669
E-mail: info@martin-audio.com
All information is Copyright © 2006 Martin Audio Ltd.

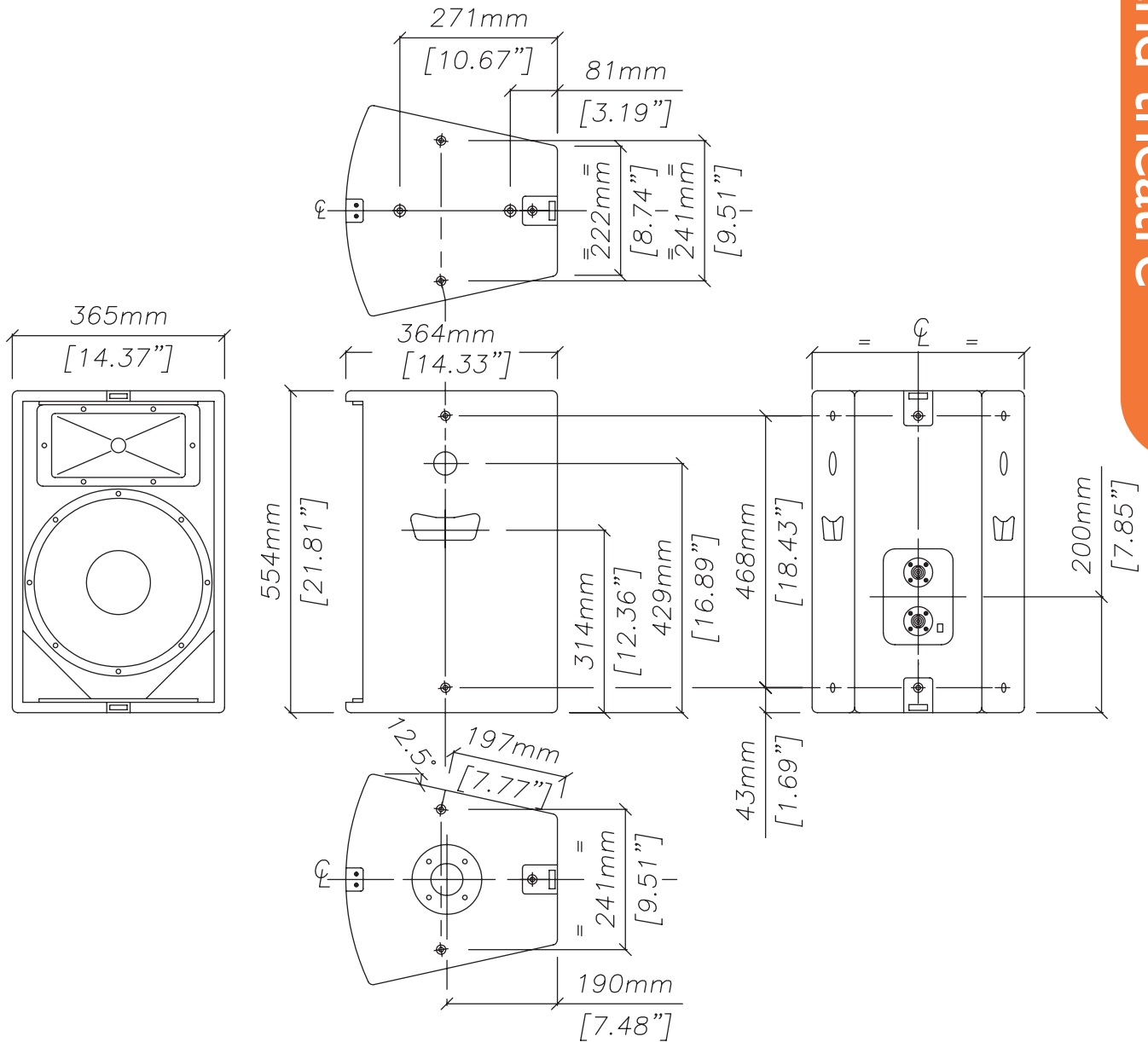


WT2

Arrayable two-way compact theatre enclosure

overall dimensions

touring and theatre



WT2

Century Point, Halifax Road, Cressex Business Park,
High Wycombe, Buckinghamshire HP12 3SL, England.
Telephone: +44 (0)1494 535312 Facsimile: +44 (0)1494 438669
E-mail: info@martin-audio.com
All information is Copyright © 2006 Martin Audio Ltd.



WT2

Arrayable two-way compact theatre enclosure

technical specifications

TYPE	Compact two-way trapezoid, switchable active/passive
FREQUENCY RESPONSE (5)	70Hz-18kHz \pm 3dB -10dB @ 52Hz
DRIVERS	12" (300mm) / 3" (75mm) voice coil 1" (25mm) exit HF compression driver
RATED POWER (2)	LF/(LF + HF): 400W AES, 1600W peak HF: 60W AES, 240W peak
RECOMMENDED AMPLIFIER	400-600W into 4 ohms
SENSITIVITY (6)	LF/(LF + HF): 98dB HF: 107dB
MAXIMUM SPL (7)	123dB continuous, 129dB peak
NOMINAL IMPEDANCE	LF/(LF + HF) 8 ohms HF: 8 ohms
DISPERSION (-6dB)	70° horizontal, 40° vertical
CROSSOVER	2kHz active/passive
FINISH	Textured black paint
PROTECTIVE GRILLE	Black perforated steel
CONNECTORS	2 x Neutrik NL4
FITTINGS	10 x M8 threaded inserts 1 x mounting pole socket 2 x MAN blanking plates 2 x rear kelp fittings 2 x front lid fittings
DIMENSIONS	(W) 365mm x (H) 554mm x (D) 364mm (W) 14.4ins x (H) 21.8ins x (D) 14.3ins
WEIGHT	24.5kg (54lbs)

accessories

WT2LID	Lid
HTKW2Y	Flying yoke
HTKCT05	8mm Shouldered eye bolt
GPT060	Fitted enclosure flying points
HTKLI5	Lightweight install stud

Notes

- (1) Measured on-axis in half space at 2 metres, then referred to 1 metre.
- (2) AES Standard ANSI S4.26-1984.
- (3) Measured in half space at 2 metres with 1 watt input, using band limited pink noise, then referred to 1 metre.
- (4) Measured in half space at 2 metres using band limited pink noise, then referred to 1 metre.
- (5) Measured on-axis in open (4π) space at 2 metres, then referred to 1 metre.
- (6) Measured in open (4π) space at 2 metres with 1 watt input, using band limited pink noise, then referred to 1 metre.
- (7) Measured in open (4π) space at 2 metres using band limited pink noise, then referred to 1 metre.

Trade Descriptions Act

Due to Martin Audio's policy of continuing improvement, we reserve the right to alter these specifications without prior notice. Martin Audio is committed to refining state of the art sound reinforcement, combining in-depth product and field applications research with advanced manufacturing techniques. Every Martin Audio product is built to the highest manufacturing standards and rigorously tested to ensure that it meets the performance criteria specified in the design.

architectural and engineering specifications

The loudspeaker system shall be of the two-way switchable active/passive type consisting of one 12" (300mm) direct radiating reflex loaded low frequency transducer and one 1" (25mm) exit HF compression driver mounted on a constant directivity horn in a trapezoidal plywood enclosure. The enclosure shall be fitted with an integral pole mounting socket and threaded inserts to facilitate a variety of mounting options. Active or passive operation shall be selected by a switch at the rear of the enclosure. In active mode the loudspeaker shall be bi-amped and operated with a separate electronic controller. In passive mode, low and high frequency sections shall be integrated by an internal 2kHz passive crossover network.

Performance of the loudspeaker system with its electronic controller shall meet or exceed the following criteria:

Frequency response measured 1 metre on axis shall be 70Hz-18kHz \pm 3dB.

High frequency dispersion at -6dB points shall be 70°H x 40°V.

Power handling shall be 400W AES, 1600W peak LF/(LF+HF), 60W AES, 240W peak HF.

Rated impedance shall be 8 ohms LF/(LF+HF).

Maximum SPL measured at 1 metre on axis shall be 122dB continuous, 128dB peak.

Dimensions (W) 365mm x (H) 554mm x (D) 364mm (14.4ins x 21.8ins x 14.3ins).

Weight 24.5kg (54lbs).

The loudspeaker system shall be the Martin Audio WT2.

Century Point, Halifax Road, Cressex Business Park,
High Wycombe, Buckinghamshire HP12 3SL, England.
Telephone: +44 (0)1494 535312 Facsimile: +44 (0)1494 438669
E-mail: info@martin-audio.com
All information is Copyright © 2006 Martin Audio Ltd.

