

BRINKMANN®

ProSeries™ Natural Gas

2630 Stainless Steel Outdoor Grill

OWNER'S MANUAL

ASSEMBLY AND OPERATING INSTRUCTIONS

SAVE THIS MANUAL FOR FUTURE REFERENCE


NOTICE TO INSTALLER:
LEAVE THESE INSTRUCTIONS
WITH THE GRILL OWNER FOR
FUTURE REFERENCE.

⚠WARNING
HAZARDOUS EXPLOSION MAY
RESULT IF THESE WARNINGS AND
INSTRUCTIONS ARE IGNORED. READ
AND FOLLOW ALL WARNINGS AND
INSTRUCTIONS IN THIS MANUAL TO
AVOID PERSONAL INJURY, INCLUDING
DEATH OR PROPERTY DAMAGE.





IMPORTANT SAFETY WARNINGS

WE WANT YOU TO ASSEMBLE AND USE YOUR GRILL AS SAFELY AS POSSIBLE. THE PURPOSE OF THIS SAFETY ALERT SYMBOL  IS TO ATTRACT YOUR ATTENTION TO POSSIBLE HAZARDS AS YOU ASSEMBLE AND USE YOUR GRILL.

WHEN YOU SEE THE SAFETY ALERT SYMBOL  PAY CLOSE ATTENTION TO THE INFORMATION WHICH FOLLOWS!

 READ ALL SAFETY WARNINGS AND INSTRUCTIONS CAREFULLY BEFORE ASSEMBLING AND OPERATING YOUR GRILL.

DANGER

FOR YOUR SAFETY:

IF YOU SMELL GAS:

1. Shut off gas to the appliance.
2. Extinguish any open flame.
3. Open the Lid.
4. If odor continues, leave the area and immediately call your gas supplier or your fire department.

WARNING

FOR YOUR SAFETY:

1. DO NOT store or use gasoline or other liquids with flammable vapors in the vicinity of this or any other appliance.
2. An LP cylinder shall not be stored in the vicinity of this or any other appliance to avoid the possibility of explosion.

WARNING



- Never store a LP gas cylinder under or near this grill.
- A fire causing death or serious injury may occur if the above is not followed exactly.

⚠ WARNING

- Never use liquid propane gas (LP) in a unit designed for natural gas.
- Never use charcoal briquets or lighter fluid in a gas grill.
- Leak test all connections before first use, even if grill was purchased fully assembled and after each time the hose is connected to the natural gas supply.
- Never check for leaks using a match or open flame.

⚠ CAUTION! Strong odors, colds, sinus congestion, etc. may prevent the detection of natural gas. Use caution and common sense when testing for leaks.

- Always keep gasoline, paint thinner, or other flammable liquids or combustible materials away from your gas grill.
- DO NOT store flammable products: paper towels, rags, pot holders, etc. in tool drawer.
- Always check the grill prior to each use as indicated in the "Pre-Start Check List" section of this manual.
- Keep children and pets away from hot grill. DO NOT allow children to use or play near this grill.
- DO NOT leave the grill unattended while in use.
- DO NOT allow the gas hose to come in contact with hot surfaces.
- DO NOT allow grease from drain hole to fall on hose.
- Keep any electrical supply cords away from water or heated surfaces.
- Keep a fire extinguisher on hand acceptable for use with gas products. Refer to your local authority to determine proper size and type.
- Never place more than 15 pounds on the side burner. DO NOT lean on the side burner shelf.
- For household use only. DO NOT use this grill for anything other than its intended purpose.
- DO NOT use while under the influence of drugs or alcohol.
- Grill is hot when in use. To avoid burns:
 - DO NOT attempt to move the grill.
 - Lock the wheels so the unit does not accidentally move.
 - Wear protective gloves or oven mitts.
 - DO NOT touch any hot grill surfaces.
 - DO NOT wear loose clothing or allow hair to come in contact with grill.

⚠ USE CAUTION AND COMMON SENSE WHEN OPERATING YOUR GAS GRILL. FAILURE TO ADHERE TO THE SAFETY WARNINGS AND GUIDELINES IN THIS MANUAL COULD RESULT IN SEVERE BODILY INJURY OR PROPERTY DAMAGE.

SAVE THIS MANUAL FOR FUTURE REFERENCE.

⚠ WARNING

- **FOR OUTDOOR USE ONLY. DO NOT** operate indoors or in an enclosed area such as garage, shed or breezeway.
- Use your grill **OUTDOORS** in a well ventilated space away from dwellings or other buildings to prevent dangers associated with gas accumulation and toxic vapors. We recommend your grill be situated at least 10 feet from buildings.
- Maintain a minimum clearance of 24 inches (60 cm) between all sides of grill and walls or other combustible material. Do not use grill under overhead unprotected combustible construction.
- **DO NOT** use or install this grill in or on a recreational vehicle and/or boat.

⚠ WARNING

- **DO NOT** use hard metal piping of any kind to connect this type of grill to a natural gas source. Use only hose specified by manufacturer. Using hard metal piping or convoluted metal tubing is an unsafe practice. Movement of the grill can cause breakage of metal pipe.
- The appliance and its individual shut off valve must be disconnected from the gas supply piping system during any pressure testing of that system at test pressures in excess of 1/2 psi (3.5 kPa).
- The appliance must be isolated from the gas supply piping system by closing its individual manual shut off valve during any pressure testing of the gas supply piping system at test pressure equal to or less than 1/2 psi (3.5 kPa).
- This grill is designed for natural gas use at 7 inch water column supply pressure. Verify supply pressure with your local gas company. Not for use with LP gas.
- Connections to gas source must be performed by a certified plumber.

INSTALLATION INFORMATION:

The installation of this appliance must be in accordance with:

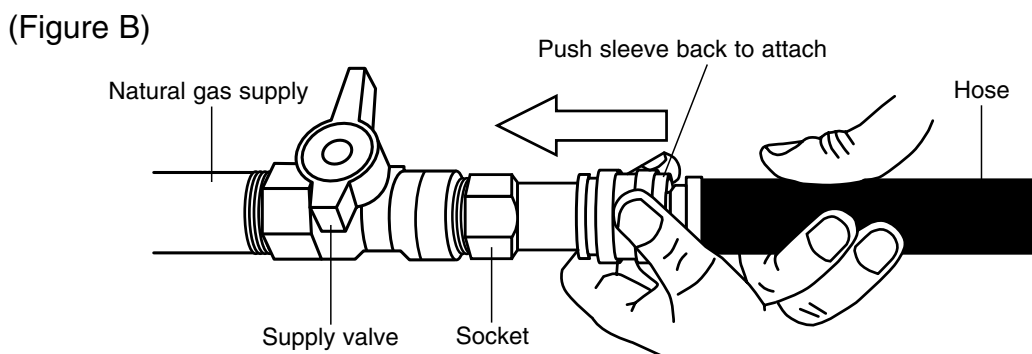
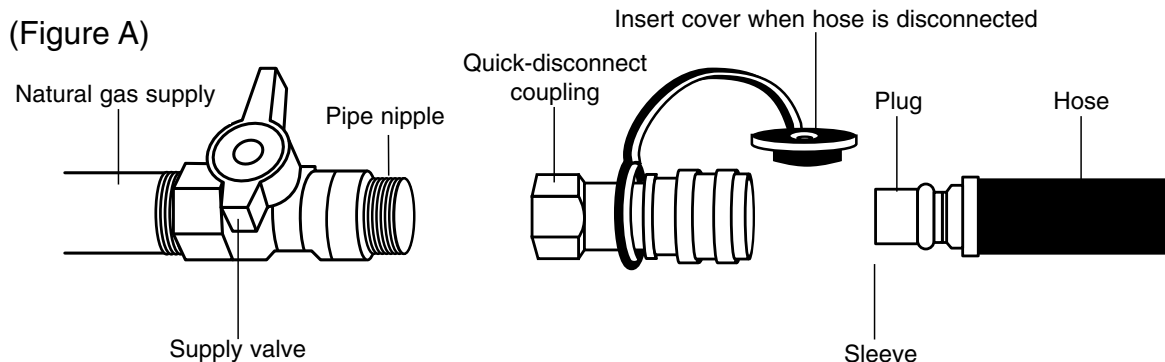
All applicable local codes, or in the absence of local codes, either:

- National Fuel Gas Code,
- ANSI Z223.1 1988 or latest edition (USA)
- Natural Gas Installation Code: CAN/CGA B149.1 (Canada)
- Propane Installation Code: CAN/CGA B149.2 (Canada)
- Only ANSI Z21.54 approved hoses should be used with this grill.

To check your local codes, see your local LP gas dealer or natural gas company.

CONNECTING YOUR GRILL TO THE NATURAL GAS SOURCE

1. Coat pipe nipple with gas resistant teflon tape or pipe dope. Tighten quick-disconnect coupling onto pipe nipple that leads to natural gas supply (Figure A).
2. After grill is completely assembled, make sure natural gas supply valve is “OFF” and then connect natural gas hose to socket. Push sleeve back on socket (Figure B) and insert plug until sleeve snaps forward, locking plug into socket. Be sure to leak test these connections prior to use.



DISCONNECTING YOUR GRILL FROM THE NATURAL GAS SOURCE

1. Turn natural gas supply valve “OFF”
2. To disconnect, push sleeve back and pull plug out of sleeve.

⚠ WARNING

- **Never use your grill without leak testing all gas connections and hoses. See the section on “Leak Testing” in this manual for proper procedures.**
- **Visually inspect the hose assembly prior to each use for evidence of damage, excess wear or deterioration. If found, replace the assembly before using your grill. Only the Brinkmann supplied replacement should be used.**

⚠ DANGER

LEAK TESTING:

To prevent fire or explosion hazard:

- **DO NOT** smoke or permit ignition sources in the area while conducting a leak test.
- Perform test **OUTDOORS** only in a well ventilated area.
- Never perform a leak test with a match or open flame.
- Never perform a leak test while the grill is in use or while grill is still hot.

⚠ WARNING

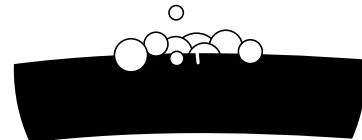
WHEN TO PERFORM A LEAK TEST:

- After assembling your grill and before lighting for the first time, even if purchased fully assembled.
- Every time the gas hose is connected to the natural gas supply or if any of the gas components are replaced.
- Any time your grill has been moved.
- At least once per year or if your grill has not been used for more than 60 days.

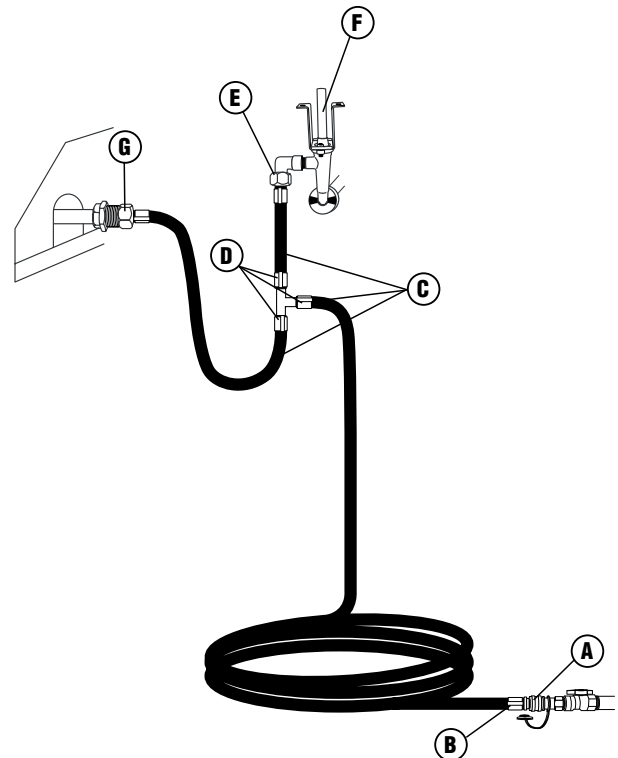
CHECKING FOR LEAKS:

1. Create a mixture of 50% water and 50% liquid dishwashing soap.
2. Open the lid.
3. Insure all burner knobs are set to the OFF position.
4. Turn on the natural gas supply.
5. Apply the soap water mixture to the following:

Watch For Bubbles



- Ⓐ Quick-disconnect coupling
- Ⓑ Plug and hose connection
- Ⓒ The full length of gas supply hose
- Ⓓ "T" connector to all three gas supply hoses .
- Ⓔ Gas supply hose connection to side burner valve assembly.
- Ⓕ Side burner valve stem cap.
- Ⓖ Gas supply connection to gas manifold.



6. Check each place listed (A -G) for growing bubbles which indicates a leak.
7. Turn OFF gas supply at natural gas supply.
8. Turn on control knobs to release gas pressure in hose.
9. Turn control knobs to OFF position.
10. Tighten any leaking connections.
11. Repeat soapy water test until no leaks are detected. **DO NOT** use the grill if leaks cannot be stopped. Contact a qualified gas appliance repair service.
12. Turn OFF gas supply at natural gas supply until you are ready to use your grill.
13. Wash off soapy residue with cold water and towel dry.
14. Wait 5 minutes to allow all gas to evacuate the area before lighting grill.

NOTE: The leak test must be performed in an area that has adequate lighting in order to see if bubbles are developing. **DO NOT** use a flashlight to check for bubbles.

WARNING

PRE-START CHECK LIST:

Property damage, bodily harm, severe burns, and death could result from failure to follow these safety steps. These steps should be performed after the grill has been assembled, stored, moved, cleaned, or repaired. DO NOT operate this grill until you have read and understand ALL of the warnings and instructions in this manual.

- Insure that the grill is properly assembled.
- Inspect the gas supply hose for burns, chaffing, kinks, and proper routing before each use. Hose should be at least 3 inches from hot surfaces.
- Leak check all gas connections and hose. See section on "Leak Testing".
- Ensure that all electrical supply cords are properly grounded and are kept away from water and hot surfaces.
- Position your grill on level ground in a well ventilated location, a safe distance from combustible materials and buildings.
- Properly place the empty grease tray under the grease drain hole in the bottom of the grill to catch grease during use.

WARNING

Read, understand and follow all warnings and instructions contained in this manual. DO NOT skip any of the warnings and instructions contained in the preceding sections of this manual.

WARNING

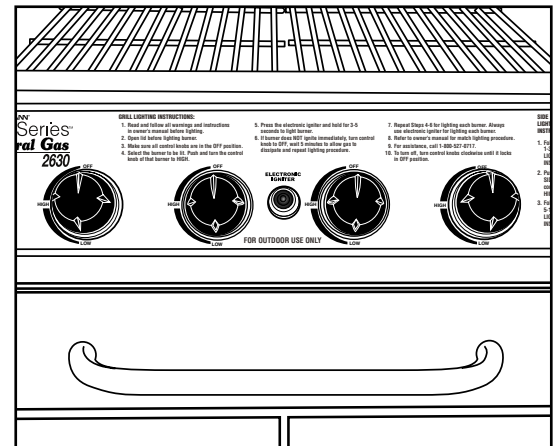
LIGHTING INSTRUCTIONS:

Follow the instructions exactly.

1. **OPEN THE GRILL LID** before attempting to light a burner so that fumes do not accumulate inside the grill. An explosion could occur if grill lid is down.
2. Check that all burner control knobs and the natural gas supply are turned to the **OFF** position.
3. Turn on the natural gas supply.
4. **DO NOT** stand with head, body, or arms over the grill when lighting.

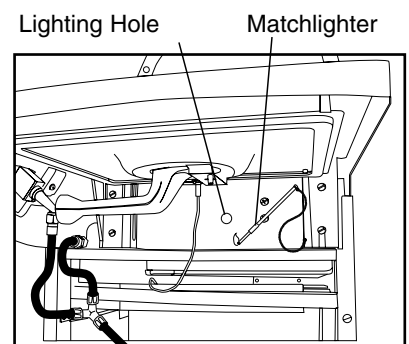
LIGHTING THE MAIN BURNERS:

1. Open lid before lighting burner.
2. Make sure all control knobs are in the **OFF** position.
3. Select the burner to be lit. Push and turn the control knob of that burner to the **HIGH** position.
4. Press the electronic igniter and hold for 3-5 seconds until burner ignites.
5. If burner does **NOT** ignite immediately, turn the burner control knob to **OFF**, wait 5 minutes for gas to evacuate the grill. Repeat steps 1 through 5 until burner ignites.
6. If burner does not ignite using the push button igniter wait 5 minutes, see "Match Lighting the Main Burners" section.
7. Once lit, light adjacent burners in sequence by pressing in and rotating the control knob to the **HIGH** position.



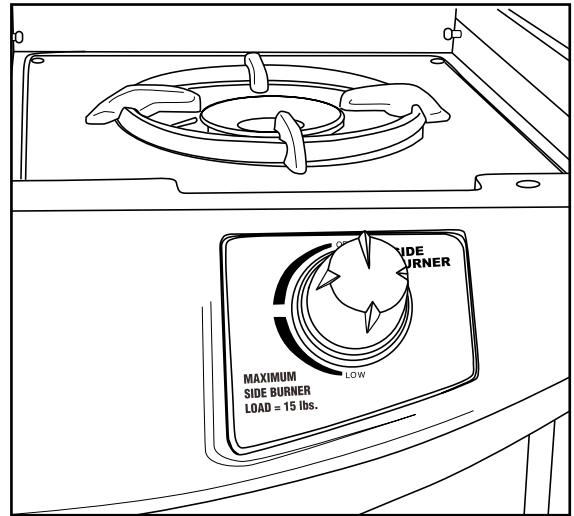
MATCH LIGHTING THE MAIN BURNERS:

1. Open lid before lighting.
2. Turn the burner control knobs to **OFF**.
3. Place a paper match in the end of the matchlighter. Strike the match and place through lighting hole in the right hand side of the grill to approximately 1/2" (2 to 3 cm) from the burner.
4. Turn on the **FAR RIGHT** burner control knob to the **HIGH** position. The burner should light within 5 seconds.
5. If the burner does not light, turn the control knob to **OFF** and wait 5 minutes for gas to evacuate the grill. Repeat steps 1 through 5 until the burner ignites.
6. Once lit, light adjacent burners in sequence by pressing in and rotating the control knob to the **HIGH** position.
7. If the burner does not light within the first few attempts of match lighting, there is a problem with the gas supply. Turn off the gas at the burner and natural gas supply. **DO NOT** attempt to operate the grill until the problem is found and corrected. See "Trouble Shooting" section of this manual.



LIGHTING THE SIDE BURNER:

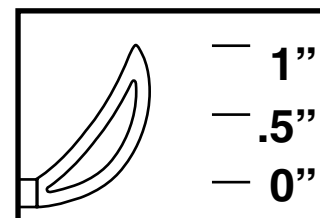
1. Open lid to the side burner before lighting.
2. Turn on the side burner by pressing in and rotating the control knob to the HIGH position.
3. Press and hold the igniter button on the main control panel for 3-5 seconds until the burner ignites.
4. If burner does not ignite immediately, turn the burner control knob to OFF and wait 5 minutes for gas to evacuate the grill. Repeat steps 1 through 4 until burner ignites.
5. If burner does not ignite using the push button igniter wait 5 minutes, see "Match Lighting the Side Burner" section.



MATCH LIGHTING THE SIDE BURNER:

1. Open the lid to the side burner before lighting.
2. Turn the burner control knob to OFF.
3. Strike and place a match approximately 1/2" (2 to 3 cm) from the burner.
4. Turn the side burner control knob to the HIGH position. The burner should light immediately.
5. If burner does not ignite immediately, turn the burner control knob to OFF and wait 5 minutes for gas to evacuate the grill. Repeat steps 1 through 5 until the burner ignites.
6. If the burner does not light within the first few attempts of match lighting, there is a problem with the gas supply. Turn off the gas at the burner and natural gas supply. **DO NOT** attempt to operate the grill until the problem is found and corrected. See "Trouble Shooting" section of this manual.

NOTE: Observe flame height when lit: Flame should be a Blue/Yellow color approximately 1" high when burner is on "High."



TURNING OFF THE GRILL:

1. Turn OFF the natural gas supply.
2. Turn all burner control knobs to the OFF position.

NOTE: Turn off the natural gas supply first to prevent gas from being left in the system under pressure.

⚠ CAUTION !

- The natural gas supply should always be in the off, or closed, position when the grill is not in use.

⚠ WARNING

OPERATING THE GRILL:

Never use Charcoal or Lighter Fluid inside your Natural Gas Grill. Read and follow all warnings and instructions contained in the preceding sections of this manual.

BREAKING IN YOUR GRILL:

- In manufacturing and preserving the components of your grill, oil residue may be present on the burner and cooking surfaces of your grill.
- Before cooking on your grill for the first time you should operate it for 15 minutes on HIGH to burn off residual oils.

PREHEATING THE GRILL:

- Prior to use, it is recommended that you preheat your grill. This ensures that the grilling surfaces are at the desired temperatures to sear the food sugars when cooking. After lighting your grill, set the main burner control knobs to the HIGH position for 10 to 15 minutes.

CONTROLLING FLARE-UPS:

- Flare-ups are a part of cooking meats on a gas grill. This adds to the unique flavor of cooking on a gas grill. Excessive flare-ups can over-cook your food and cause a dangerous situation for you and your grill. Excessive flare-ups result from the build-up of grease in the bottom of your grill. If this should occur, **DO NOT** pour water onto flames. This can cause the grease to splatter and could result in serious burns or bodily harm. If grease fire occurs, close the lid and turn off the main burners until the grease burns out. Use caution when re-opening the lid as sudden flare-ups may occur.

⚠ WARNING

- **DO NOT** leave your grill unattended while in use.
- **DO NOT** move grill when in use. Lock wheels in place to stabilize grill.
- **DO NOT** use water to extinguish flare-ups.
- Have fire extinguisher readily accessible suitable for use with gas appliances.

TO MINIMIZE FLARE-UPS:

- Trim excess fat from meats prior to cooking.
- Cook meats with high fat contents (chicken or pork) on Low settings or indirectly.
- Ensure that your grill is on level ground and the grease is allowed to evacuate the grill through the drain hole in the bottom and into drip pan.

INDIRECT COOKING:

- Indirect cooking is the process of cooking your food without the heat source being directly under your food. You can sear meats over a high flame on one side of the grill while slow cooking a roast on the other (unlit) side of the grill.

ROTISSERIE COOKING:

- Your grill was pre-drilled from factory to include mounting holes for a Brinkmann rotisserie (sold separately). Do not use a rotisserie not specifically manufactured for this grill.
- Read and follow all instructions provided with the rotisserie. Save instructions for future reference.
- Do not use the side burner when using a rotisserie.

⚠ WARNING

- **When using an AC current rotisserie, it must be electrically grounded in accordance with local codes, or in the absence of local codes:**
 - **In the US: The National Electrical Code – ANSI-NFPA No. 70 – Latest Edition**
 - **In Canada: the Canadian Electrical Code – CSA C22.1**
- **Only use a Brinkmann Rotisserie manufactured specifically for use with this grill.**
- **The Rotisserie is equipped with a three pronged plug for your protection against electrical shock. This plug should be plugged directly into a properly grounded 3 prong receptacle. Never cut or remove the grounding plug. Any extension cord must also have a 3 prong receptacle.**
- **All electrical supply cords should be kept away from water and any hot surfaces of the grill.**

USING OTHER FEATURES OF THE GRILL:

THE SIDE BURNER:

- The side burner can be used to prepare side dishes such as beans, potatoes, corn, or to warm sauces.
- The burner valve can be adjusted from high to low depending upon your cooking demands.

⚠ WARNING

- **Read instructions on lighting your grill to light the side burner.**
- **Never close the side burner cover when the burner is lit.**
- **Use a 10" diameter pot or smaller that does NOT have an extended handle when cooking on the side burner. Center pot over burner.**
- **Never place more than 15 pounds on the side burner. The side burner is not constructed to hold weight exceeding 15 pounds.**
- **Use caution to avoid bumping grill, side burner or pot to prevent pot from spilling contents possibly leading to severe burns.**
- **DO NOT use side burner to deep fry food in oil to avoid dangers associated with oil igniting creating a very dangerous situation.**

⚠ WARNING

TRANSPORTING AND STORAGE:

- **Never move a grill when it is hot or when objects are on the cooking surfaces.**
- **Make sure that natural gas supply is shut off. After moving the grill check that all gas connections are free of leaks. Refer to instructions for leak test on page 5 of this manual.**
- **DO NOT store a spare LP gas cylinder (filled or empty) under or near the grill.**
- **Never store flammable liquids or spray canisters under or near the grill.**
- **DO NOT extinguish grease fires using water.**
- **If the outdoor cooking gas appliance is not in use, the gas must be turned off at the natural gas supply.**

Follow the instructions listed below.

BEFORE STORING YOUR GRILL:

- Ensure that the natural gas supply has been turned off.
- Clean all surfaces.
- Lightly coat the burners with cooking oil to prevent excess rusting.
- If storing the grill indoors, disconnect the hose from the natural gas supply.
- If storing the grill outdoors, cover the grill with a grill cover for protection from the weather. A grill cover can be purchased by contacting: The Brinkmann Corporation at 1-800-527-0717.

CLEANING AND MAINTENANCE:

- For safe grilling and peak performance of your grill, perform these checks at least twice per year or after extended periods of storage.

HARDWARE

- Be sure to tighten up all hardware (nuts, bolts, screws, etc.) at least twice per year.

CASTINGS

- Remove the cooking grills, heat shields, and burners from inside your grill. Use a brush with hot water and detergent to remove excess residue. **NEVER** use a commercial oven cleaner. Rinse completely with water. Towel dry and replace all components as described in the assembly instructions.

BURNER ASSEMBLY/MAINTENANCE

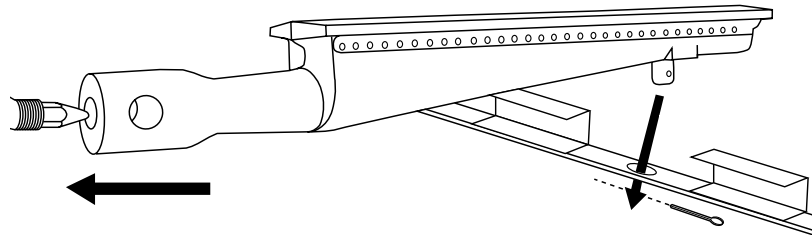
- Although your burners are constructed of cast iron, they may rust as a result of the extreme heat and acids from cooking foods. Regularly inspect the burners cracks, abnormal holes, and other signs of corrosion damage. If found, replace the burner.
- **DO NOT obstruct the flow of combustion and ventilation air.** Burner tubes can become blocked by spiders and other insects building their nests. Blocked burner tubes can prevent gas flow to the burners and could possibly result in a burner tube fire. To clean the Burner Assembly follow these instructions to clean and/or replace parts of burner assembly or if you have trouble igniting the grill.
 1. Turn gas off at control knobs and natural gas supply.
 2. Remove cooking grills and heat shields.
 3. Remove cotter pins from beneath each burner "foot" using a screwdriver or needle nose pliers.
 4. Carefully lift each burner up and away from valve openings.
 5. Use a narrow bottle brush or a stiff wire bent into a small hook to run through each burner tube and flame port several times.

NOTE: Wear eye protection when performing procedure 6.

6. Use compressed air to blow into burner tube and out the flame ports. Check each port to make sure air comes out each hole.
7. Wire brush entire outer surface of burner to remove food residue and dirt.
8. Check burner for damage, if any large cracks or holes are found replace burner.

IMPORTANT: Burner tubes must reengage valve openings.

9. Carefully replace burners.
10. Replace cotter pin beneath each burner.
11. Replace heat shields and cooking grills.



COOKING GRILLS

- Clean with mild soap detergent and water. Do not use steel wire bristles to clean the stainless steel cooking grills. Steel can cause the finish to chip or crack. **DO NOT** use a commercial oven cleaner.

TROUBLE SHOOTING:

Problem:

- **Burner will not light**

Possible Causes:

1. Check natural gas supply.
2. Bad electrode spark.
Check to see if the grill will “match light.” (See Page 9)
Electrode or collector may need adjustment.
3. Burner may not be properly seated.
4. Burner may be obstructed.

- **Fire at control knobs**

1. Burner holes may be obstructed. See section on Cleaning and Maintenance of the Burner holes.
2. Burner is improperly seated on control valve.
3. Gas connections may be loose.
Leak Check and tighten all connections.

- **Yellow Flames at burner**

1. Burner is obstructed. See section on Cleaning and Maintenance of the Burner.

- **Flame blows out on “LOW”**

1. Burner holes may be obstructed. See section on Cleaning and Maintenance of Burners.
2. Grill is not sufficiently preheated.
3. Burner is improperly seated on control valve.

- **Grill is Too Hot**

1. Excess grease build-up causing grease fires.
2. Cook on a lower temperature setting.

PROPER CARE & MAINTENANCE

- To protect your grill from excessive rust, the unit must be kept clean and covered at all times when not in use. A grill cover may be ordered directly from Brinkmann by calling 1-800-468-5252 or 1-800-527-0717.
- Wash cooking grills and heat shields with hot, soapy water, rinse well and dry. Lightly coat cooking grill with vegetable oil or vegetable oil spray.
- Clean inside and outside of grill by wiping off with a damp cloth. Apply a light coat of vegetable oil or vegetable oil spray to the interior surface to prevent rusting.
- If rust appears on the exterior surface of your grill, clean and buff the affected area with steel wool or fine grit emery cloth. Touch-up with a good quality high-temperature resistant paint.
- Never apply paint to the interior surface. Rust spots on the interior surface can be buffed, cleaned, then lightly coated with vegetable oil or vegetable oil spray to minimize rusting.

GRILL COOKING TIPS

CLEANLINESS

- Always wash hands thoroughly with soap and hot water prior to handling food and after handling raw meat, un-cooked poultry or seafood.
- When using a platter to carry raw meat, un-cooked poultry or seafood to the grill, make sure to wash the platter thoroughly with soap and hot water before placing cooked foods back on the platter or use different platters for raw and cooked foods.
- Never use the same utensils when handling raw meat, un-cooked poultry or seafood unless you wash the utensils thoroughly with soap and hot water.
- Never re-use marinade from raw meat or un-cooked poultry on foods that have been cooked and are ready to be served.

GRILLING TO PROPER TEMPERATURE

- Use a meat thermometer to be sure food has reached a safe internal temperature. You may order a Commercial-quality thermometer from Brinkmann. For more information on this product and other Brinkmann accessories, please refer to the accessory pages at the end of this manual.
- The US Department of Agriculture recommends the **minimum** temperature be reached for the following food items:

Chops	145 degrees F
Ground Meat	160 degrees F
Pork	160 degrees F
Poultry	180 degrees F
Roasts	145 degrees F

HELPFUL HINTS

- If you pre-cook meat or poultry, do so immediately before grilling.
- Never defrost meat at room temperature or on a countertop.
- Refrigerate leftovers within 2 hours of taking food off the grill.
- For additional information, please phone the USDA's toll free Meat & Poultry Hotline at 1-800-535-4555.

ASSEMBLY INSTRUCTIONS

⚠ READ ALL SAFETY WARNINGS & ASSEMBLY INSTRUCTIONS CAREFULLY BEFORE ASSEMBLING OR OPERATING YOUR GRILL.

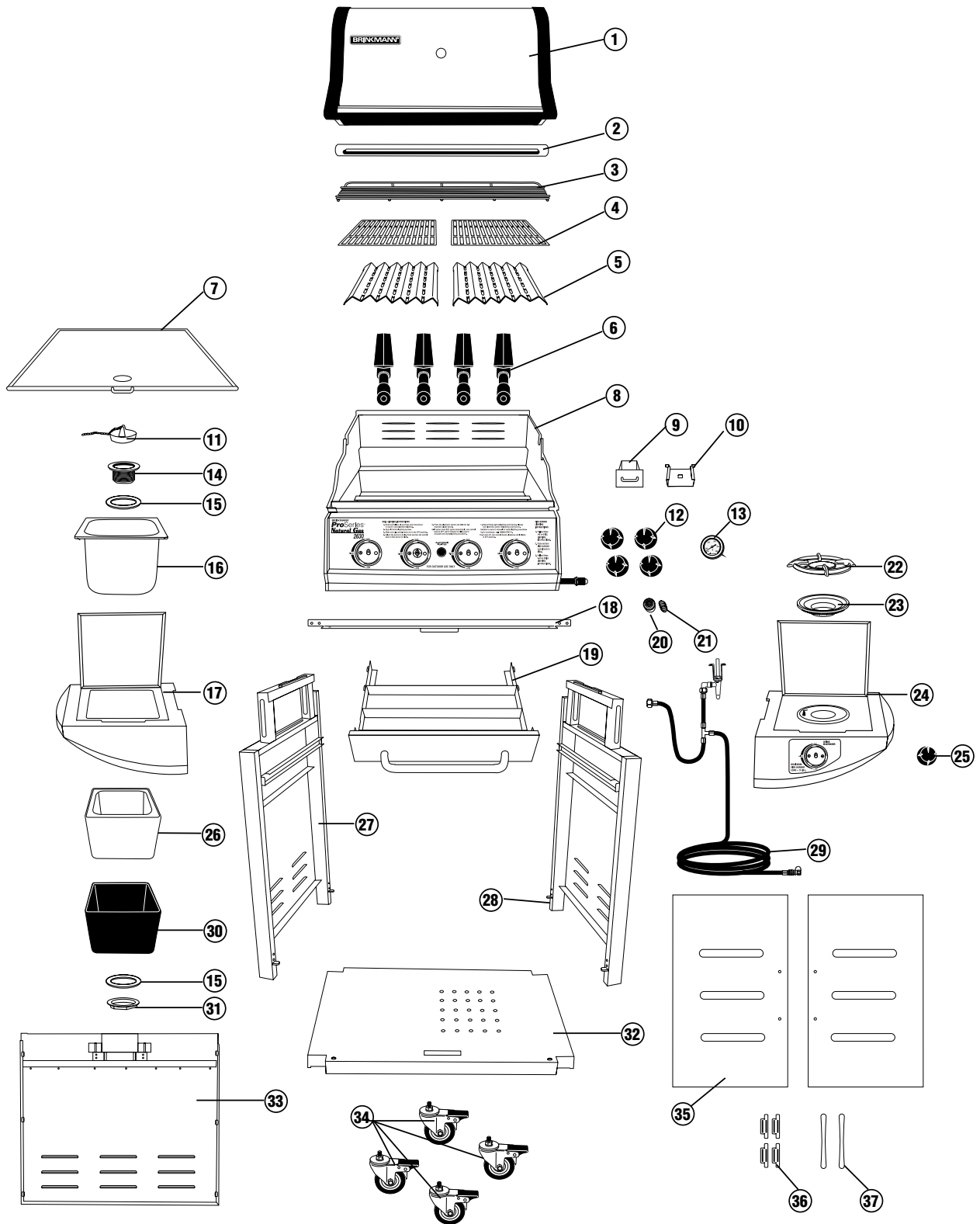
WE RECOMMEND TWO PEOPLE WORK TOGETHER WHEN ASSEMBLING THIS UNIT.

The following provided tools are required to assemble this Brinkmann Pro Series 2630 Grill:

- Flathead Screwdriver
- Hex Nut Wrench

PARTS LIST:

- | | | | | | |
|---|---|--------------------------------|---|---|-----------------------------|
| ① | 1 | Hood | ⑳ | 1 | Electronic Igniter Button |
| ② | 1 | Hood Handle | ㉑ | 1 | Electronic Igniter Spring |
| ③ | 1 | Warming Rack | ㉒ | 1 | Side Burner Grate |
| ④ | 2 | Cooking Grills | ㉓ | 1 | Brass Burner Ring |
| ⑤ | 2 | Heat Shields | ㉔ | 1 | Side Burner Assembly |
| ⑥ | 4 | Grill Burners | ㉕ | 1 | Side Burner Knob |
| ⑦ | 1 | Grill Bottom | ㉖ | 1 | Ice Bucket Insulation |
| ⑧ | 1 | Grill Body Assembly | ㉗ | 1 | Left Side Cart Panel |
| ⑨ | 1 | Grease Tray | ㉘ | 1 | Right Side Cart Panel |
| ⑩ | 1 | Grease Tray Bracket | ㉙ | 1 | Hose/Valve/Quick-disconnect |
| ⑪ | 1 | Stopper | ㉚ | 1 | Ice Bucket Outer Shell |
| ⑫ | 4 | Control Knobs | ㉛ | 1 | Retaining Nut |
| ⑬ | 1 | Temperature Gauge | ㉜ | 1 | Bottom Cart Panel |
| ⑭ | 1 | Drain | ㉝ | 1 | Back Cart Panel |
| ⑮ | 2 | Rubber Gasket | ㉞ | 4 | Locking Casters |
| ⑯ | 1 | Stainless Steel Ice Bucket | ㉟ | 2 | Doors |
| ㉑ | 1 | Side Table/Ice Bucket Assembly | ㊱ | 4 | Door Magnets |
| ㉒ | 1 | Door Bracket | ㊲ | 2 | Door Handles |
| ㉓ | 1 | Tool Drawer | | | |



FOR MISSING PARTS, PLEASE CALL CUSTOMER SERVICE AT 1-800-527-0717.

(Proof of purchase will be required.)

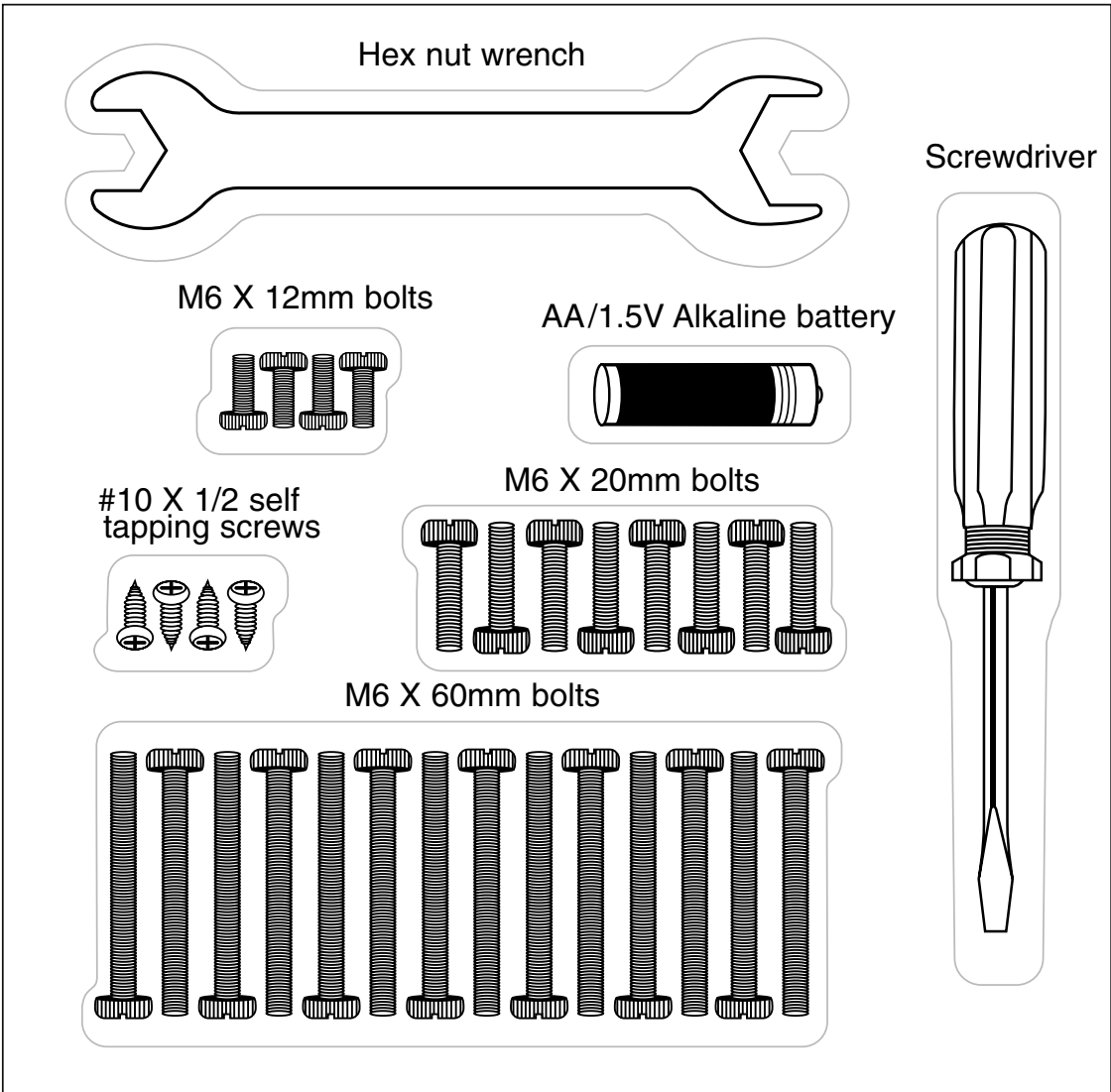
Inspect contents of the box to ensure all parts are included and undamaged.

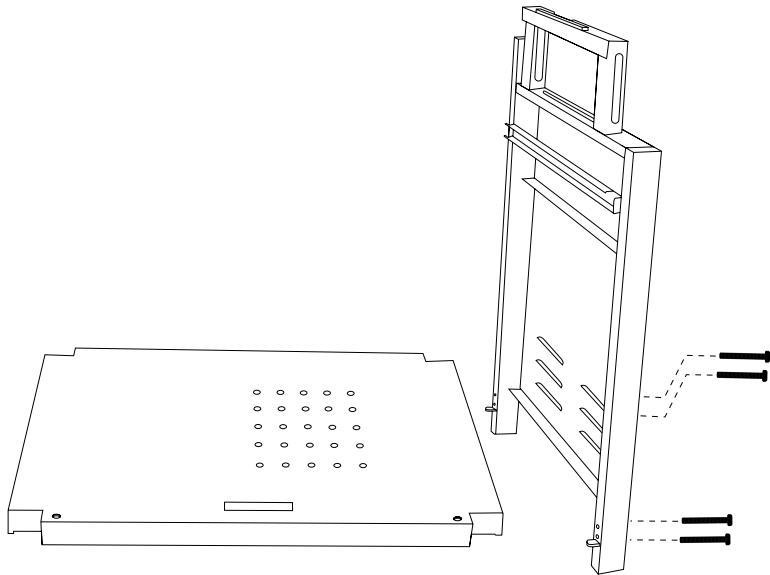
PARTS CARD CONTENTS

Make sure you have all items listed under **PARTS LIST** and **PARTS BAG CONTENTS** before you begin the installation process.

Your Parts Bag will include:

Qty.		Qty.	
4	M6 X 12mm bolts	4	#10 X 1/2 self tapping screws
8	M6 X 20mm bolts	1	Screwdriver
14	M6 X 60mm bolts	1	Hex nut wrench
1	AA/1.5V Alkaline battery		

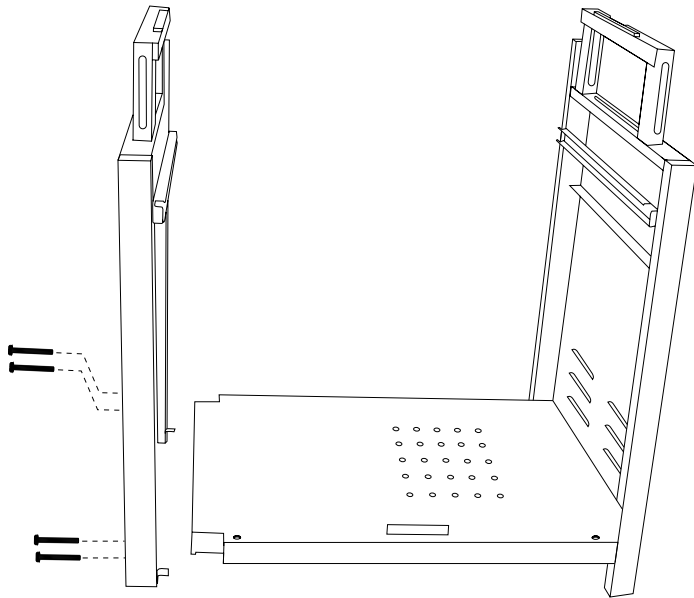




Choose a good, cleared assembly area and get a friend to help you put your grill together. Lay cardboard down to protect grill finish and assembly area.

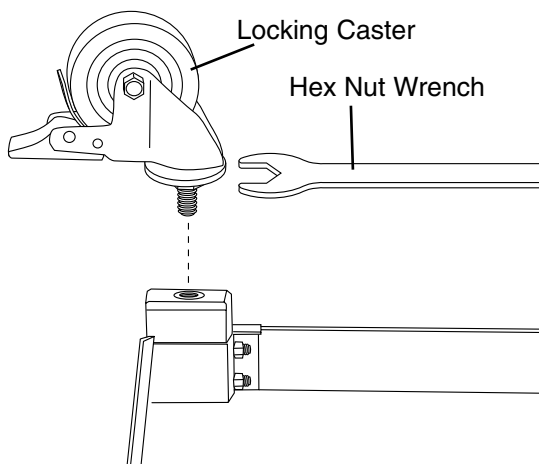
Step 1

Assemble bottom cart panel and right side cart panel assembly by using four M6 X 60mm bolts (hand tighten only at this point).



Step 2

Assemble bottom cart panel and left side cart panel assembly by using four M6 X 60mm bolts. Tighten all eight M6 X 60mm bolts at this time.



Note: With the help of a friend, turn the cart over, try to minimize the stress to the side panels.

Step 3

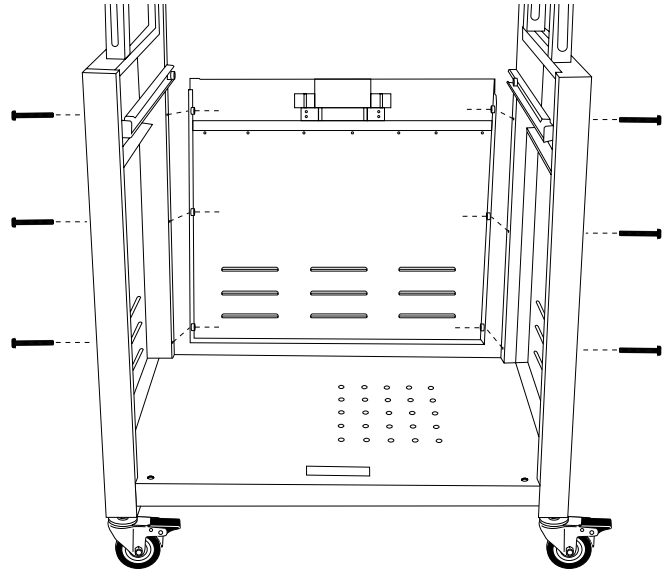
Attach locking casters to the bottom of the cart. Tighten caster bolts securely using hex nut wrench provided in parts pack.

Note: With the help of a friend, turn the cart to its upright position.

Step 4

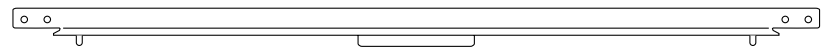
Attach back cart panel by using six M6 X 60mm bolts.

Note: Leave bolts hand tight until Step 11.

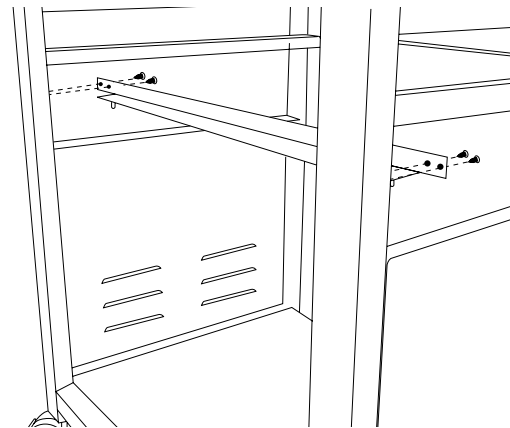


Step 5

Install door bracket using the four #10 X 1/2" self tapping screws. Make sure door stop is set toward back of cart.



Door bracket

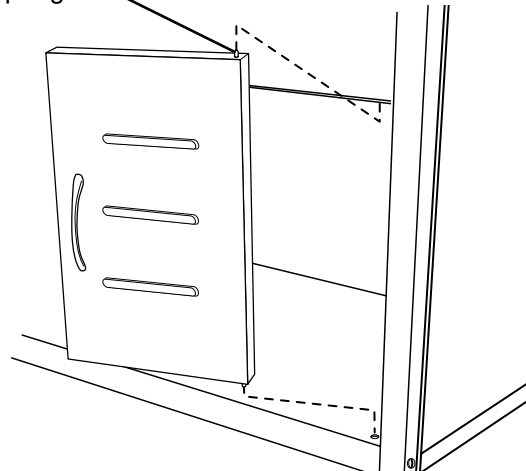


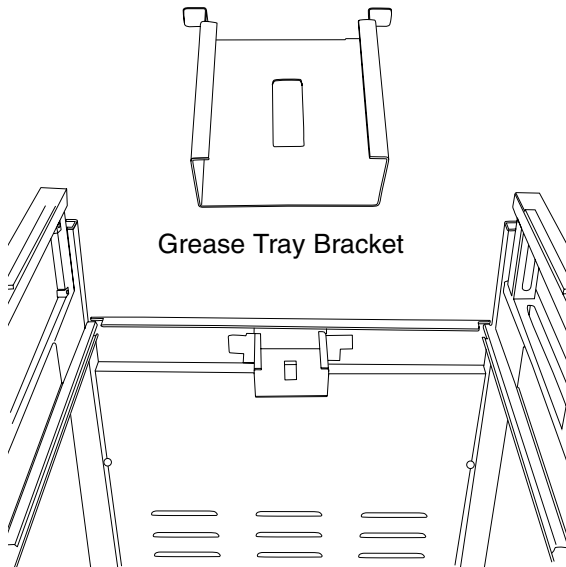
Step 6

Insert right side door, placing lower pivot into the pivot hole on bottom cart panel, then align door with cart frame. Depress spring pin located on top edge of door and slide door toward side cart panel until spring pin locks into hole in door bracket. Repeat for other door.



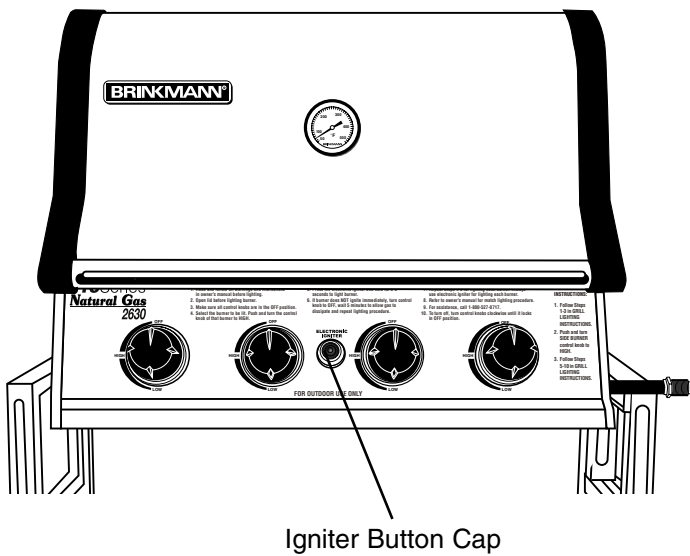
Spring Pin





Step 7

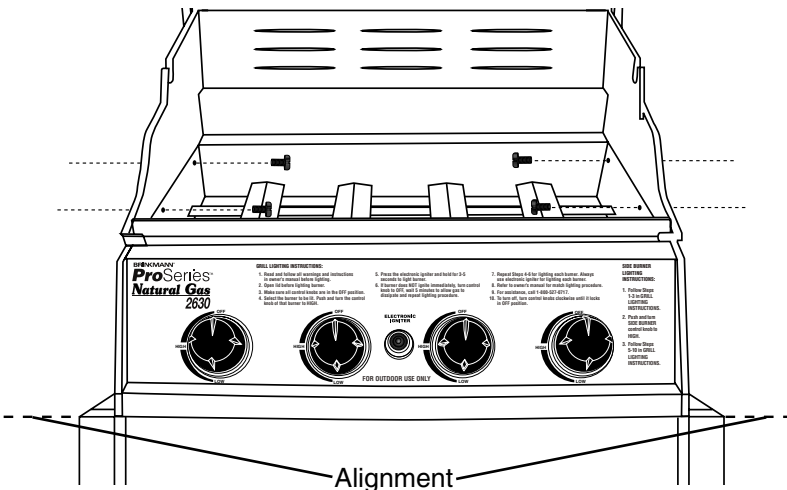
Attach the grease tray bracket onto the back cart panel by inserting the three tabs into the slots on the back cart panel.



Note: When performing Step 8, Lift grill body from front and rear panels to avoid injury to hands and fingers.

Step 8

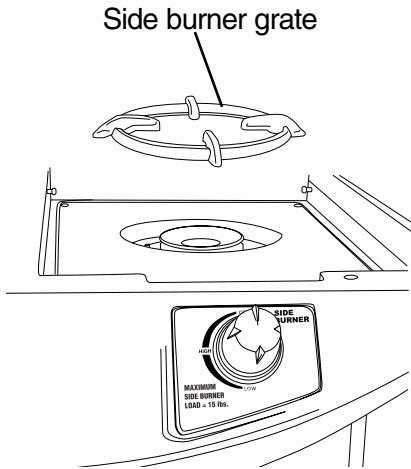
With the help of a friend, place grill body assembly on grill cart. Grill body will rest between upper side sections of cart. Align front edge of grill body assembly with front edges of cart frame legs. Secure using four M6 X12mm bolts. At this point, fully tighten six bolts holding back panel from Step 6.



Note: To install battery, unscrew igniter button cap. Insert battery with positive end towards button. Replace igniter button cap.

Step 9

Attach side burner assembly to grill body assembly by inserting four M6 X 20mm bolts through the holes in the side burner assembly and into holes of grill body assembly. Tighten all four bolts. Install side burner grate and control knob.



Step 10

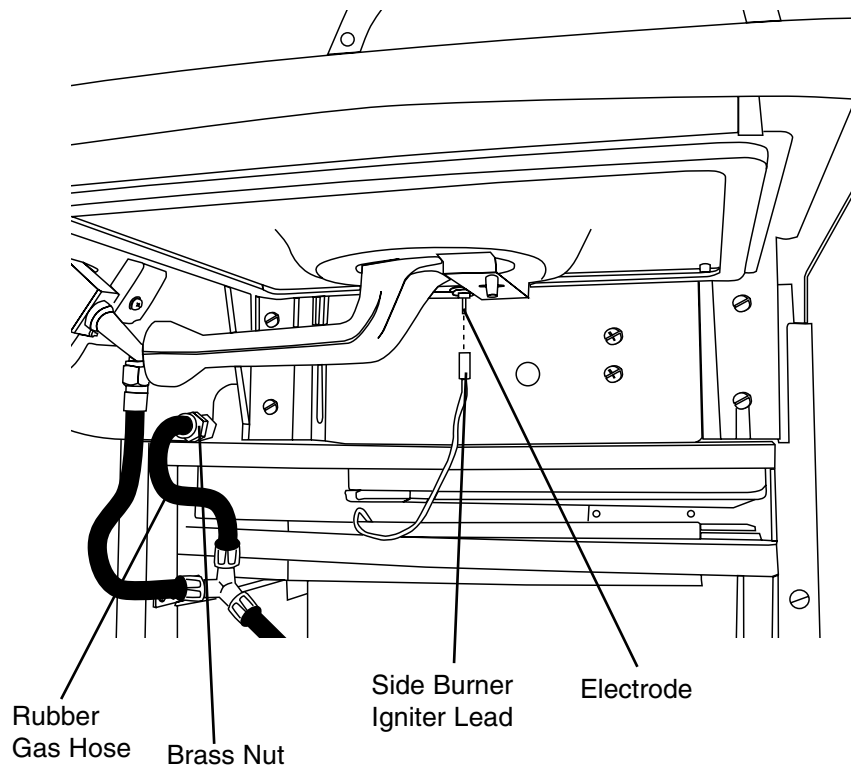
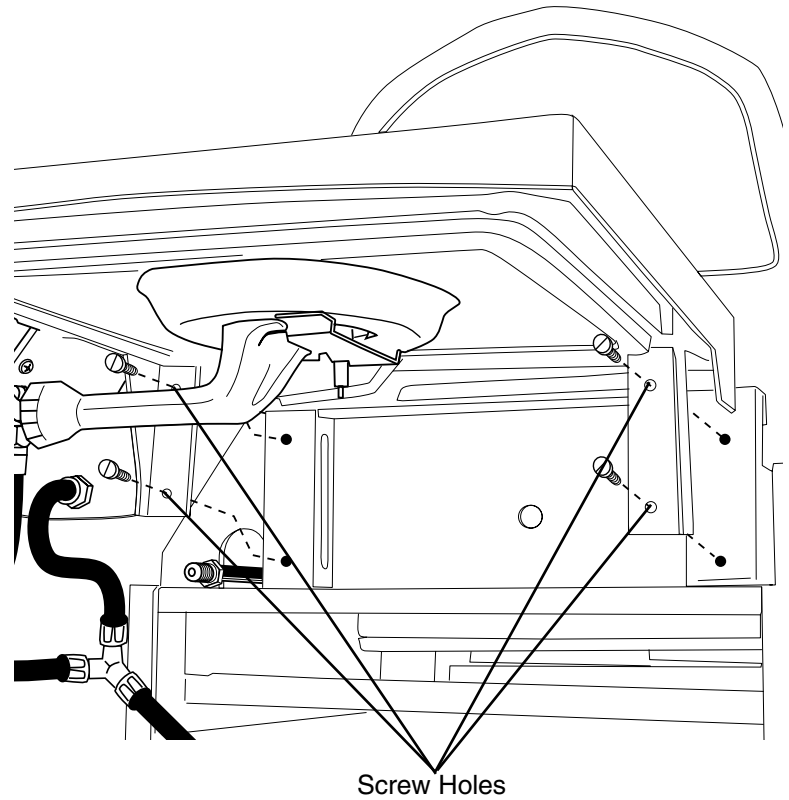
Remove the plastic cap on gas supply manifold and attach rubber gas hose to gas supply manifold. Hand tighten first, then use **supplied wrench** to turn brass nut an additional 1/8 turn.

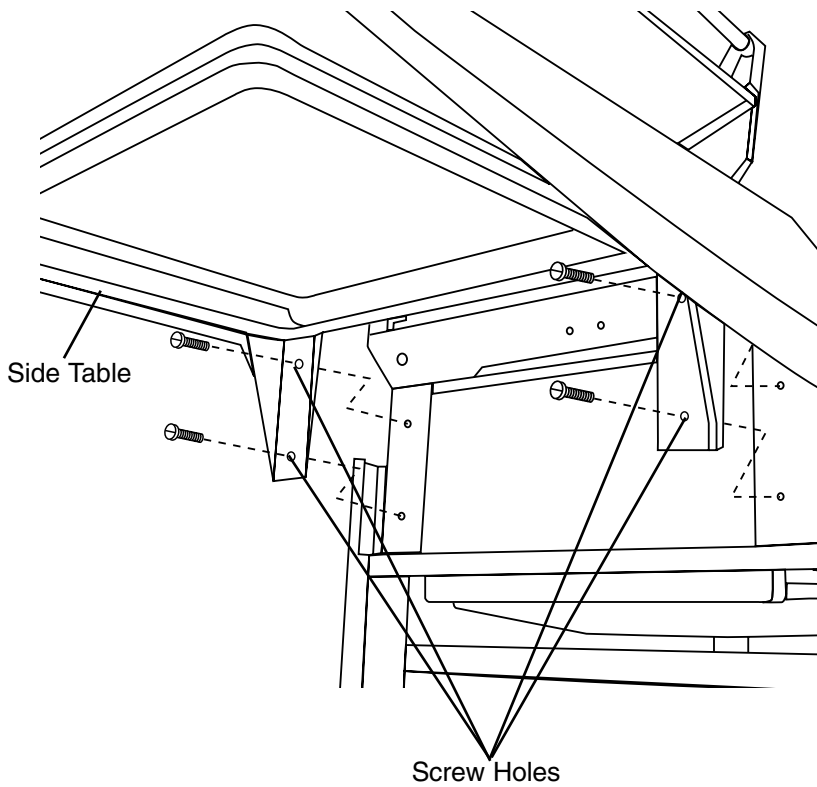
Important: Do not overtighten. This could damage brass fitting.

⚠ Warning: Never use your grill without leak testing all gas connections and hoses. See the section on "Leak Testing" in this manual for proper procedures. (See page 5)

Step 11

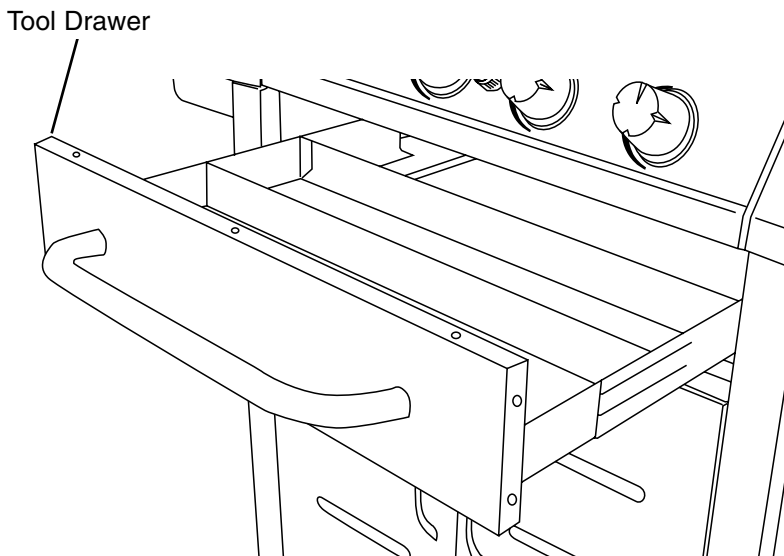
Attach side burner igniter lead to the electrode as illustrated.





Step 12

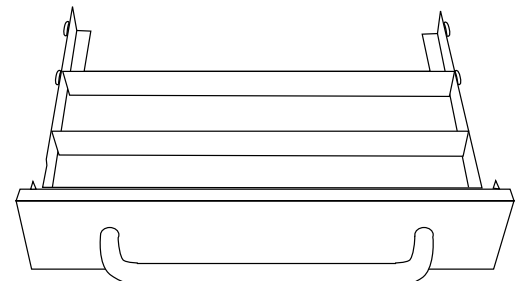
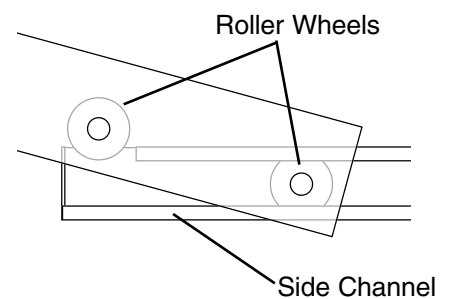
Attach side table/ice bucket assembly to grill body assembly by inserting four M6 X 20mm bolts through the holes in the side table/ice bucket assembly and into holes of grill body assembly. Tighten all four bolts.



Step 13

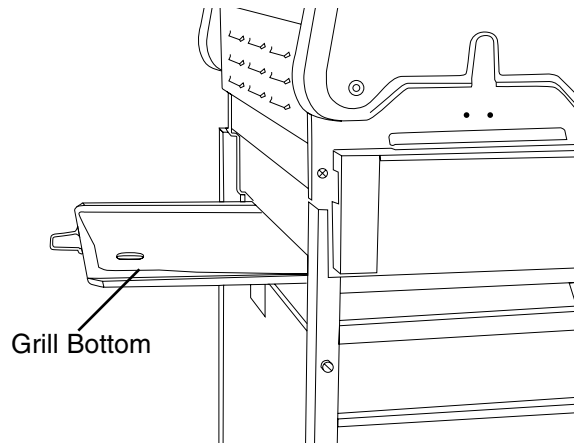
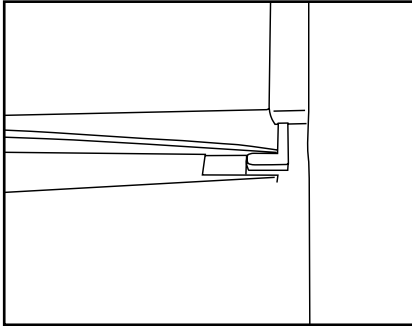
Insert tool drawer into front opening under control panel by dropping roller wheels into side channels.

Warning: DO NOT store flammable products: paper towels, rags, pot holders, etc. in tool drawer.



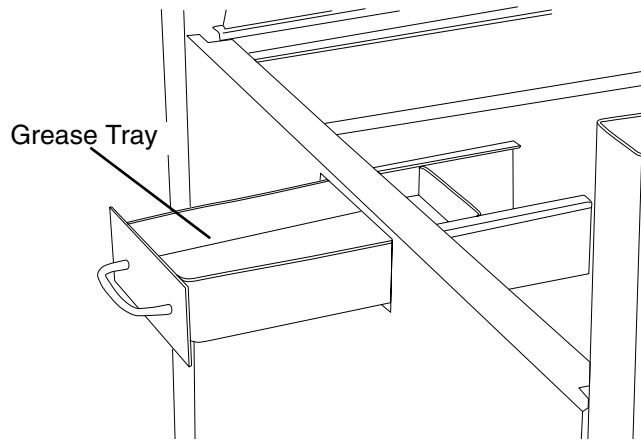
Step 14

Insert grill bottom into opening on backside of grill. Make sure to slide tray onto tracks as illustrated.



Step 15

Slide grease tray into grease tray bracket located under grill bottom on backside of grill.

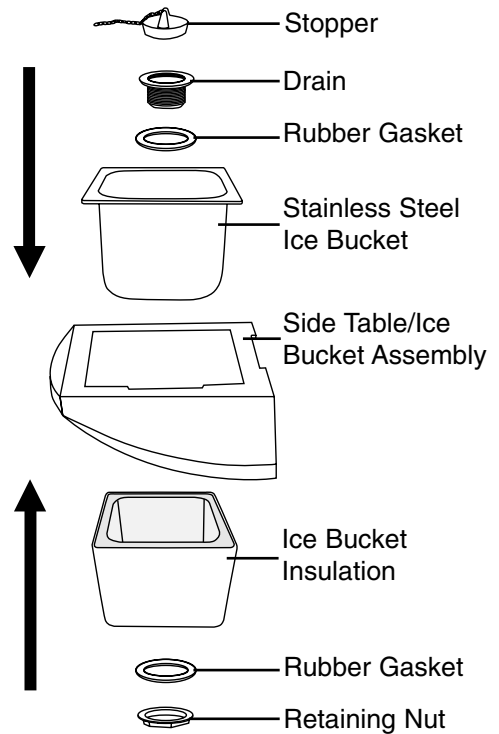


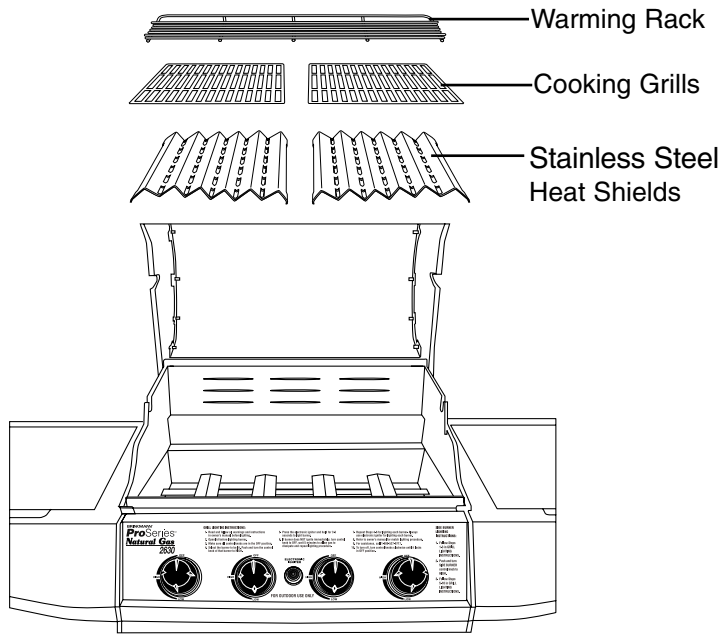
Step 16

Hang stainless steel bucket in cut-out of left side table/ice bucket assembly.

Step 17

Place ice bucket insulation around stainless steel bucket and secure drain with two rubber gaskets and brass retaining nut as illustrated.





Step 18

Place the stainless steel heat shields on lower level of grill body assembly directly above burners.

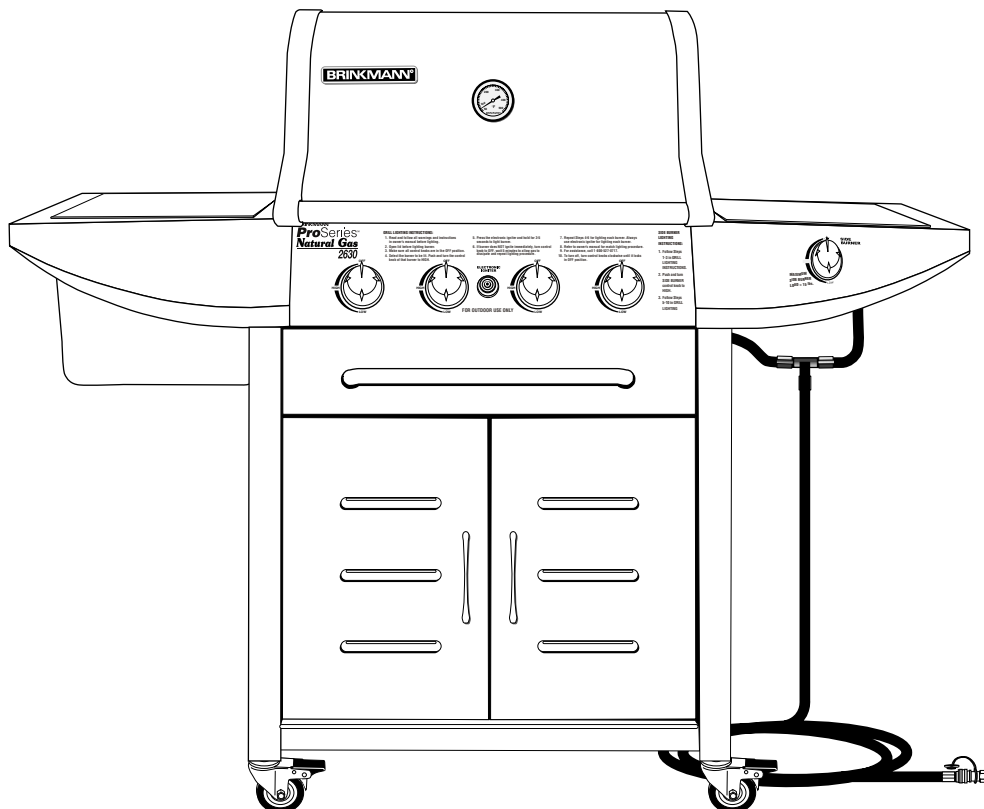
Step 19

Place stainless steel cooking grills on support ribs directly above stainless steel heat shields.

Step 20

Place warming rack in slots above stainless steel cooking grills.

Pro Series 2630 (Assembled)

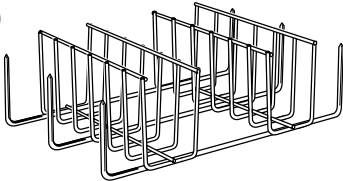


ACCESSORIES

RIB RACK

Chrome-plated rack can greatly increase the cooking capacity of your grill. Holds ribs, chicken halves, potatoes and corn vertically to triple cooking capacity. Allows smoke, steam and heat to penetrate food evenly.

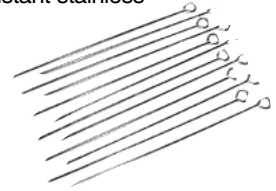
812-3310-0



PROFESSIONAL SHISH-KABOB SKEWERS

These heavy-duty, 18" shish-kabob skewers are extra-long for fabulous restaurant style kabobs. Made of rust resistant stainless steel to last for years.

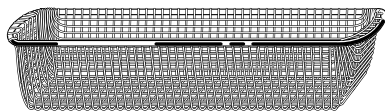
SET OF 12
812-2904-0



MEATLOAF BASKET

The unique basket weave prevents meatloaf from falling through the grill while allowing smoke, steam and heat to flow into the food. Also, provides a convenient method for lifting your meatloaf in and out of the smoker.

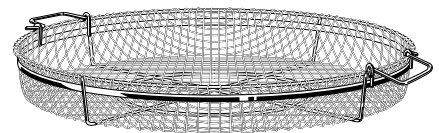
400-0073-0



SMOKER BASKET

The unique basket weave prevents food from falling through the grill while allowing smoke, steam and heat to flow into the food. Great for fish, shrimp, vegetables and hors d'oeuvres.

812-3333-0



CHICKEN AND TURKEY RACKS

These chromed steel racks hold chicken, cornish hen, duck or turkey upright and are ideal for smoking, grilling or oven roasting poultry. The rack allows the meat to cook from the inside as well as from the outside. This speeds up cooking time, seals in flavorful juices and promotes even browning of skin. It's a low fat way to cook poultry because excess fat drips off the meat. When oven roasting, place poultry on rack in a shallow pan of water to steam baste to tender perfection. When grilling or smoking, simply place poultry on rack atop the grill. Makes carving easier, too.

CHICKEN RACKS (SET OF TWO)

885-9015-0

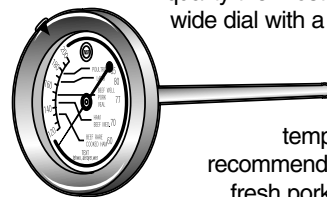
TURKEY RACK

885-9025-0



COMMERCIAL-QUALITY MEAT THERMOMETER

An essential tool when cooking all types of meat. Get perfectly smoked roasts, briskets and turkeys without cutting into the meat. Commercial-quality thermostat features an easy-to-read 2 3/4" wide dial with a 5 1/4" stem. Features Fahrenheit and Centigrade readings and National Livestock and Meat Board recommended temperatures. Also features the newly recommended 170°F internal temperature for fresh pork. Stainless steel construction and dishwasher safe.



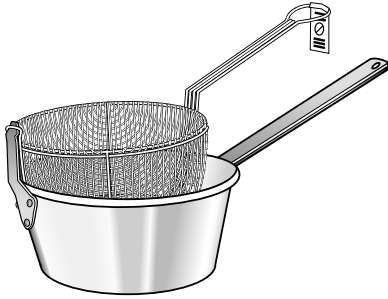
812-4100-0

ACCESSORIES

2-GALLON PAN & BASKET SET

Restaurant-style aluminum fry pan with nickel plated wire straining basket is an essential tool for frying fish, chicken, french fries, onion rings and more. Strainer basket holder helps drain excess oil. Use outdoors with the Brinkmann Backyard Kitchen and avoid the mess and odor of frying indoors.

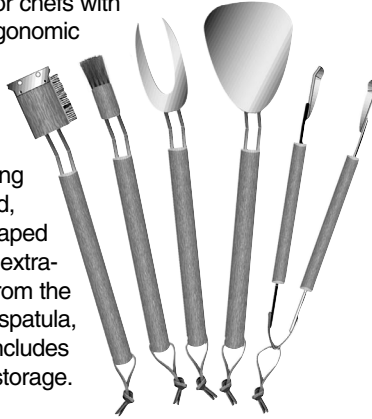
815-3610-0



THE ULTIMATE 5-PIECE BBQ TOOL SET

You'll be the envy of your fellow outdoor chefs with this ultimate BBQ tool set. It's sleek ergonomic design combined with durable, heavy-gauge stainless steel construction is truly impressive. Extra-wide, polished utensils provide precise handling and control when flipping, basting and turning your food on the grill. Beautifully crafted, smooth rosewood handles are oval-shaped to fit comfortably in your hand and are extra-long to keep your hands safely away from the fire. The five-piece set includes tongs, spatula, fork, basting brush, and a grill brush. Includes leather hanging straps for convenient storage.

812-5045-0



MULTI-PURPOSE SPATULA

If you could have only one BBQ tool, this multi-purpose spatula is it! Aside from being a great spatula, it features a serrated edge for cutting, a bottle opener, and special grooved edges for cleaning grills. Made of heavy-gauge stainless steel to last for years. Beautiful rosewood handles are slotted and riveted for maximum strength and durability. Includes leather hanging straps for convenient storage.

812-5047-0



SMOKE'N SPICE SEASONING

These custom blended spices are a delicious marinade seasoning for smoke cooking and grilling. Contains no MSG. Available in red and white meat varieties in a money-saving 2-pack.

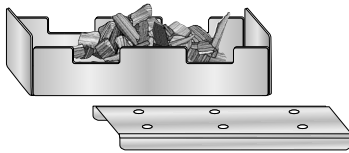
812-3322-0



STAINLESS STEEL WOOD CHIP SMOKING BOX

Rugged stainless steel smoking box allows wood chips to burn longer for richer smoke flavor and provides easy cleanup of ashes. Ideal for charcoal, electric, gas smokers and grills.

812-3311-0



MARINADE INJECTOR

This quick and easy marinade injector marinates meat in 5 minutes, not hours! Mix your favorite marinade and spices into a liquid and inject into turkey, roast, chicken or steak for a naturally tenderized and flavorful delight. The reusable Marinade Injector includes a heavy-duty stainless steel needle and heavy-gauge plastic syringe to last for years.

812-5059-0



LOOK FOR THESE AND OTHER BRINKMANN ACCESSORIES AT YOUR LOCAL RETAILER WHERE SMOKERS ARE SOLD, OR ORDER DIRECT BY CALLING

1-800-468-5252.

WARRANTY

The Brinkmann Corporation warrants to the original purchaser that the Brinkmann Stainless Steel Pro Series 2630™ is free from defects due to workmanship or materials for:

Stainless steel and die cast parts - Lifetime
Electronic ignition and burners - 10 Years
Remaining parts - 2 Years

The Brinkmann Corporation's obligations under this warranty are limited to the following guidelines:

- This warranty does not cover grills that have been altered or damaged due to: normal wear, rust, abuse, improper maintenance, improper use, disassembly of parts and/or attempted repair by anyone other than an authorized employee of The Brinkmann Corporation.
- This warranty does not cover surface scratches, rust or heat damage to the finish, which is considered normal wear.
- The Brinkmann Corporation may elect to repair or replace damaged units covered by the terms of this warranty.
- This warranty extends to the original purchaser only and is not transferable or assignable to subsequent purchasers.

The Brinkmann Corporation requires reasonable proof of purchase. Therefore, we strongly recommend that you retain your sales receipt or invoice. To obtain replacement parts for your Brinkmann Stainless Steel Pro Series 2630™ under the terms of this warranty, please call Customer Service Department at 1-800-527-0717. **A receipt will be required. The Brinkmann Corporation will not be responsible for any grills forwarded to us without prior authorization.** Brinkmann Stainless Steel Pro Series 2630™ must be returned to the original place of purchase for replacement of the unit.

EXCEPT AS ABOVE STATED, THE BRINKMANN CORPORATION MAKES NO OTHER EXPRESS WARRANTY.

THE IMPLIED WARRANTIES OF MERCHANTABILITY AND FITNESS FOR A PARTICULAR PURPOSE ARE LIMITED IN DURATION TO THOSE LISTED ABOVE FROM THE DATE OF PURCHASE. SOME STATES DO NOT ALLOW LIMITATIONS ON HOW LONG AN IMPLIED WARRANTY LASTS, SO THE ABOVE LIMITATION MAY NOT APPLY TO YOU.

ANY LIABILITY FOR INDIRECT, INCIDENTAL OR CONSEQUENTIAL DAMAGES ARISING FROM THE FAILURE OF THE BRINKMANN STAINLESS STEEL PRO SERIES 2630™ TO COMPLY WITH THIS WARRANTY OR ANY IMPLIED WARRANTY IS EXCLUDED. CUSTOMER ACKNOWLEDGES THAT THE PURCHASE PRICE CHARGED IS BASED UPON THE LIMITATIONS CONTAINED IN THE WARRANTY SET OUT ABOVE. SOME STATES DO NOT ALLOW THE EXCLUSION OR LIMITATION OF INCIDENTAL OR CONSEQUENTIAL DAMAGES, SO THE ABOVE LIMITATION OR EXCLUSION MAY NOT APPLY TO YOU. THIS WARRANTY GIVES YOU SPECIFIC LEGAL RIGHTS, AND YOU MAY ALSO HAVE OTHER RIGHTS WHICH VARY FROM STATE TO STATE.