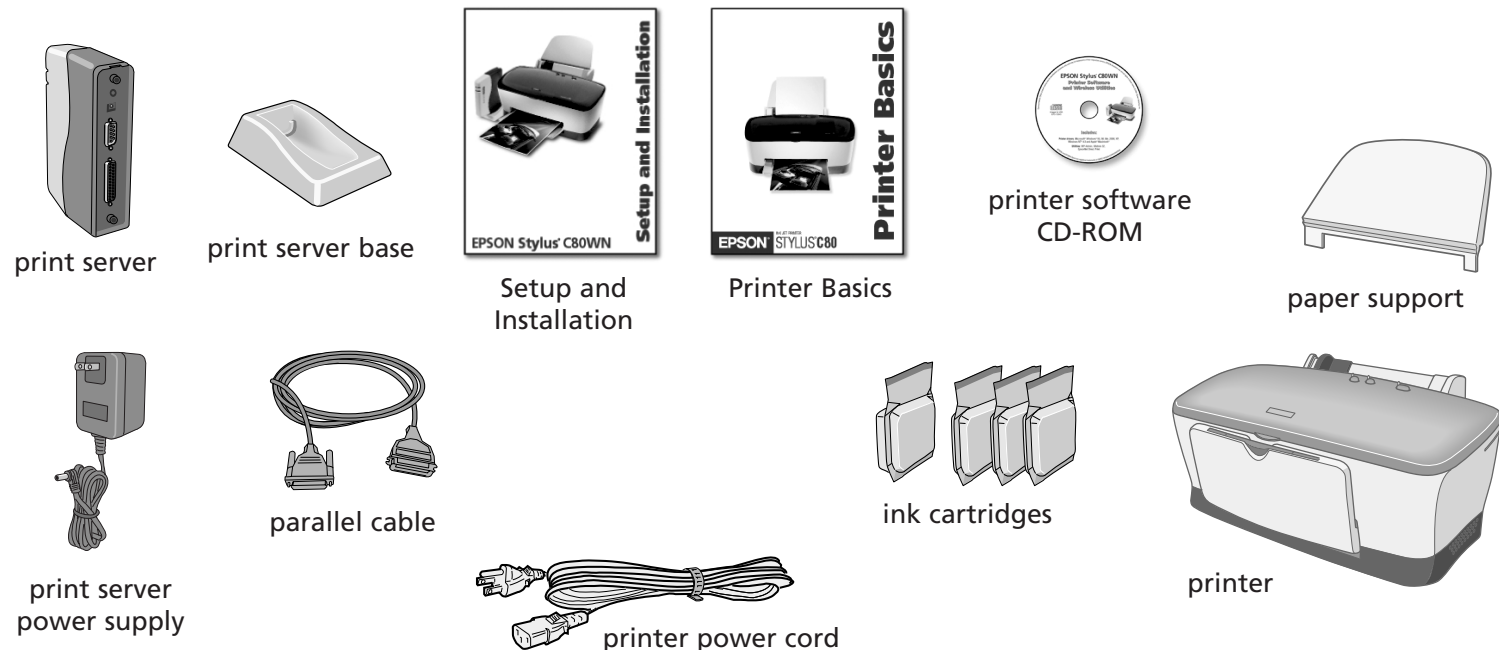


EPSON Stylus® C80WN Quick Start

Follow these instructions if you're an advanced Windows user and your network has a wireless access point without WEP encryption. This includes wired networks that have wireless access points. For more detailed instructions and other types of networks (including Macintosh®) see your *Setup and Installation* book.

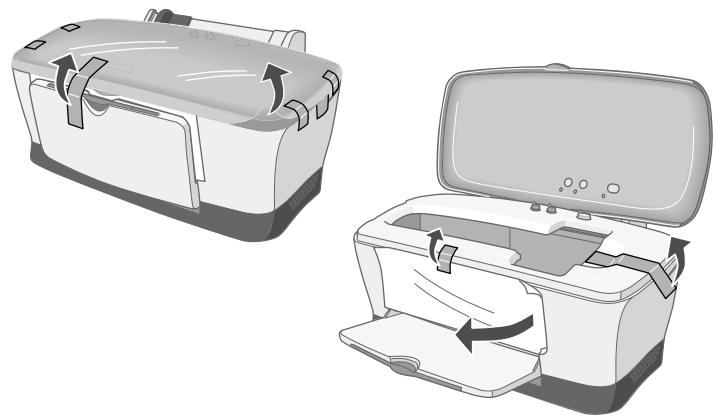
1 Unpack and Set Up the Printer

1 Take everything out of the box.

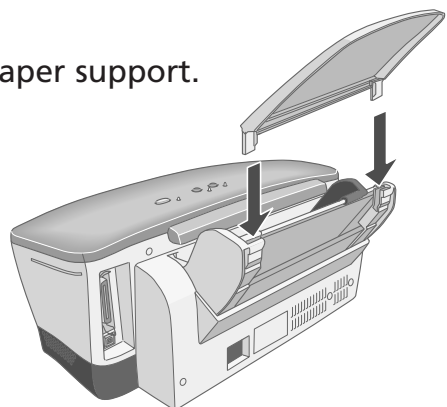


2 Remove all the tape and packing material from the printer, as shown.

NOTE Make sure you follow all the Safety Instructions in *Printer Basics* and *Setup and Installation*.



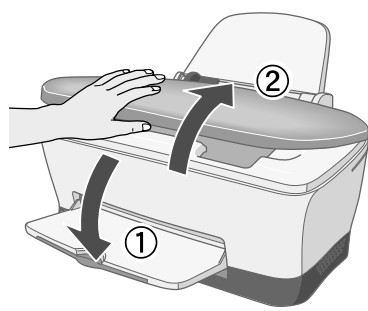
3 Insert the paper support.



4 Plug in the printer and turn it on. The green power light flashes.

5 Lower the output tray and open the cover.

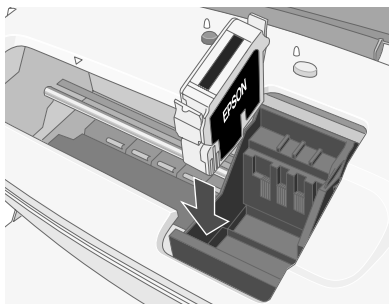
NOTE Keep ink cartridges out of the reach of children. If ink gets on your skin, wash the area thoroughly with soap and water. If ink gets in your eyes, flush them immediately with water.



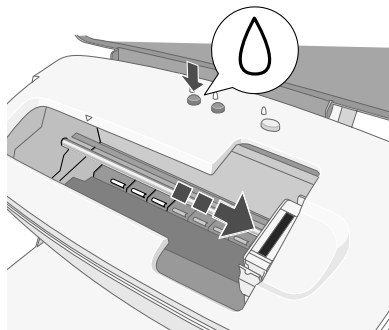
6 Shake each ink cartridge, then unwrap it.

7 Insert each cartridge into its holder until the cartridge clicks into place.

NOTE Don't remove the cartridge labels, or ink may leak.



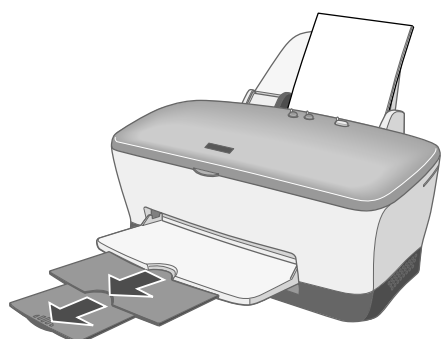
8 Press the ink button and close the printer cover. Wait while the ink charges.



9 Load paper and pull out the output tray extensions.

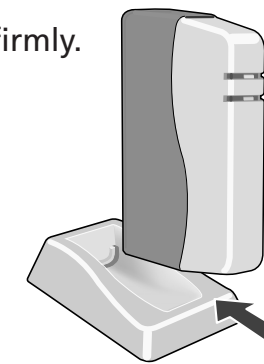
To check the printer, first turn it off. Then hold down the paper button as you press and release the power button to turn it back on. The test page prints.

If the test page doesn't print, see the Problem Solving chapter in *Printer Basics*.

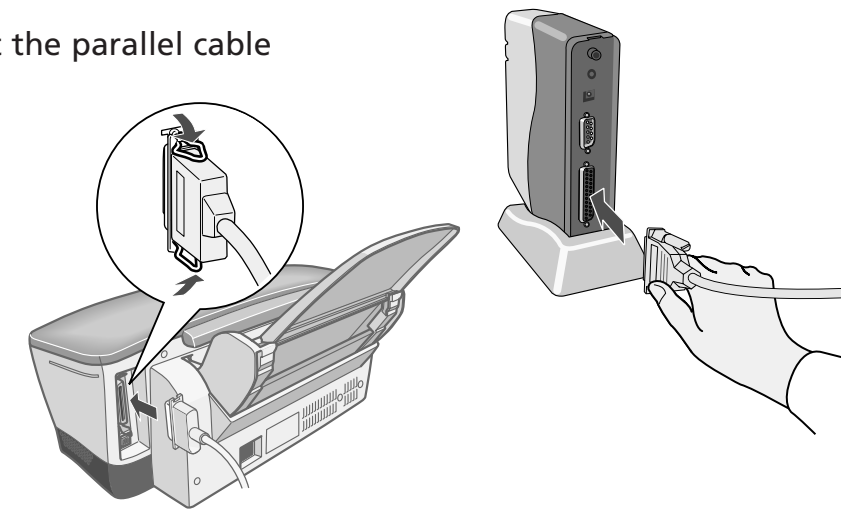


2 Connect the Print Server

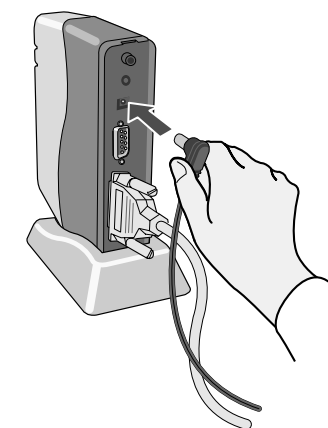
1 Slide the print server into the base and press firmly.



2 Turn off the printer. Then connect the parallel cable to the printer and print server.

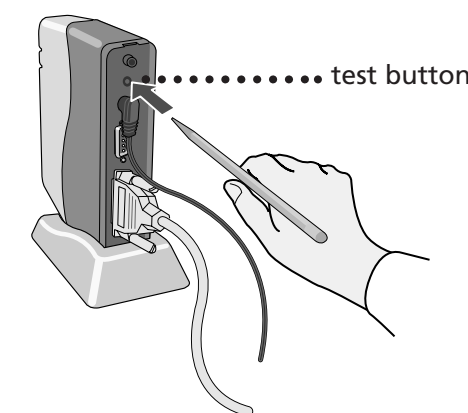


3 Connect the power supply to the print server and plug in the AC adapter. Both the green and yellow lights come on and then go out.



4 Turn on the printer.

5 To test the connection, press the test button for one second and release it. The status page prints.



If the status page doesn't print, see page 41 in *Setup and Installation*.

3 Install the Software

1 Make sure the wireless mode for your computer is set to Infrastructure and WEP encryption is disabled. For instructions, see the documentation for your wireless adapter.

2 Note your computer's IP address. You can view the address by running `ipconfig` (Windows XP/2000/NT) or `wipnfcfg` (Windows Me/98/95). If you need instructions, see page 52 in *Setup and Installation*.

3 Insert your printer CD-ROM.

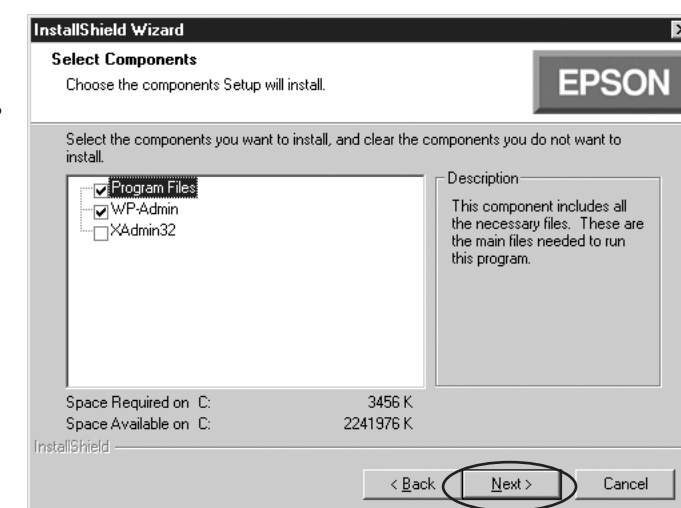
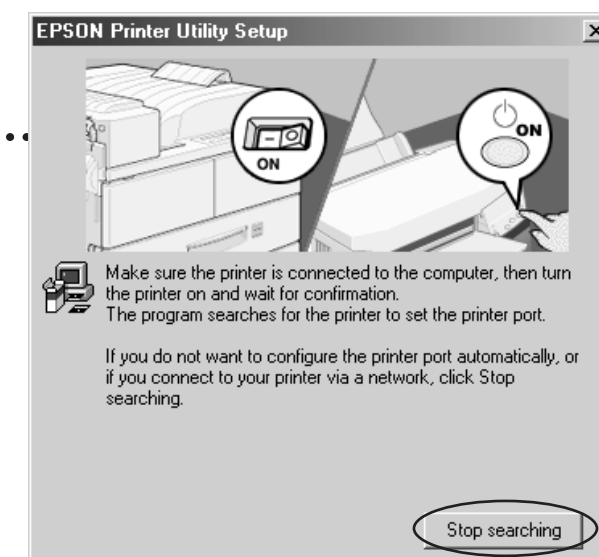
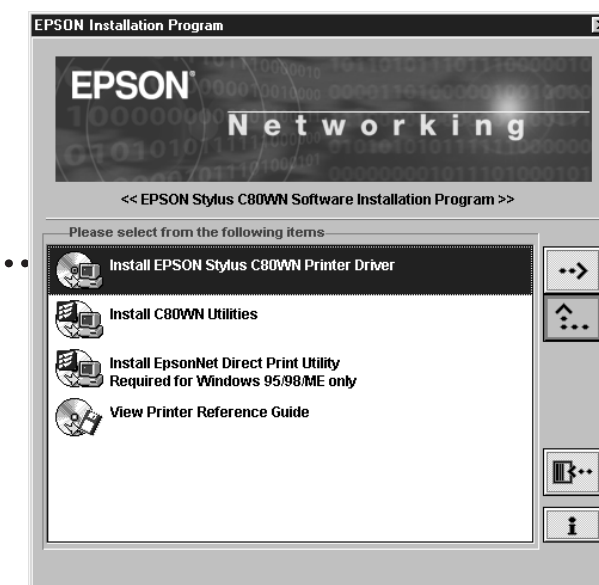
4 Double-click **Install EPSON Stylus C80WN Printer Driver** and follow the instructions on the screen.

5 When you see this window, click **Stop searching**. Then follow the instructions on the screen to register your printer.

6 Double-click **Install C80WN Utilities** on the EPSON Installation Program screen.

7 If you see a message about installing the Java Runtime Environment click **Continue** and follow the instructions on the screen.

8 When you see this window, click **Next**. Then follow the instructions on the back of this sheet.



Turn over

4 Configure the Print Server

After the files are installed, you see the Wireless Server Search window:

- 1 Click **START**. You see server information like this:

It may take up to 2 minutes for the server information to appear.

If WP-Admin doesn't pick up a signal from the print server, check the solutions beginning on page 41 in *Setup and Installation*.

- 2 When you see server information on the screen, click **STOP**. Then click **CONFIGURE**.

- 3 When you see a message asking for a password, click **OK**. You see the Wireless Server Configuration screen.

NOTE For descriptions of all the settings on the Wireless Server Configuration screen, see Appendix A in *Setup and Installation*.

- 4 For Boot Method, select **STATIC**.

- 5 Enter an IP address that conforms to the IP addressing scheme for your network.

For example, if you have two computers on your network whose IP addresses are 192.189.207.3 and 192.189.207.4, the print server's IP address should begin with 192.189.207. The last part of the address can be any number between 2 and 254 except 3 or 4.

If your network supports DHCP, change only the last segment of the IP address, and make sure it is out of the range of DHCP assignments.

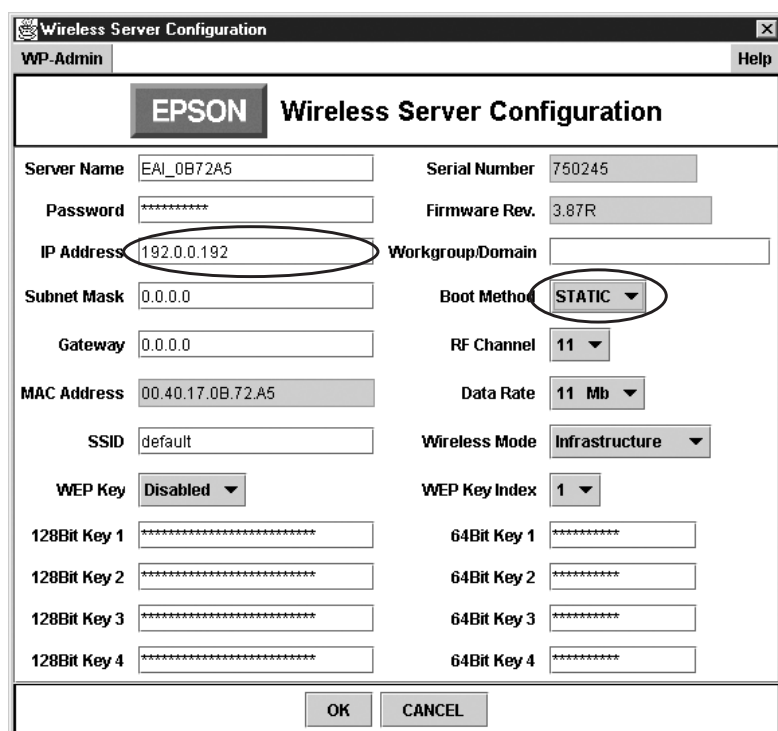
For example, if the last segment of assigned addresses is between 100 and 200, choose a number below 100 or above 200. Make sure you don't use the same IP address as another node on your network.

- 6 Make any other changes you want and click **OK**. When you see the Wireless Server Search window again, click **QUIT**.

- 7 When you see this screen, click **Finish**.

- 8 If you're running Windows Me, 98, or 95, double-click **Install EpsonNet Direct Print Utility** on the EPSON Installation Program screen. Follow the on-screen instructions to install the utility and restart your computer.

- 9 Continue with the instructions in the next section.



5 Set Up a Network Port

Before you begin, run WP-Admin and note the IP address of your print server. Then follow the instructions in one of the sections below, depending on which version of Windows you're using.

Windows XP or 2000

- 1 Do one of the following:
In Windows XP: click **Start > Control Panel > Printers and Other Hardware > Printers and Faxes**.
In Windows 2000: click **Start > Settings > Printers**.

- 2 Right-click your printer icon, then click **Properties**.

- 3 On the Ports tab, select your printer (if necessary), and click **Add Port**.

- 4 Select **Standard TCP/IP Port** and click **New Port**.

- 5 When you see the Add Standard TCP/IP Printer Port Wizard, click **Next**.

- 6 Enter your print server's IP address or server name and click **Next**.

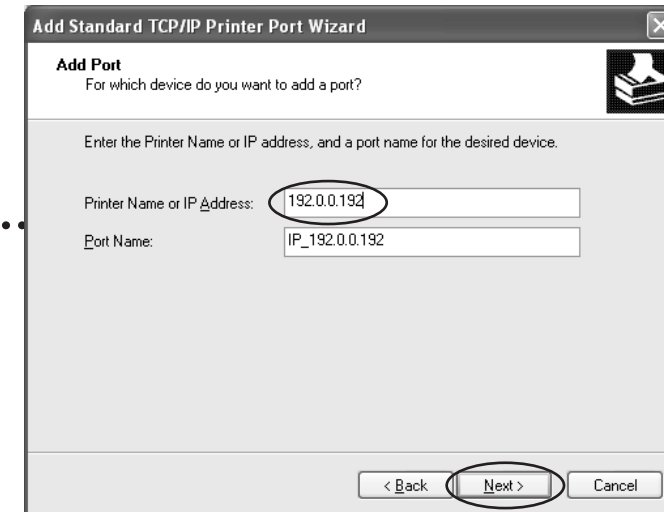
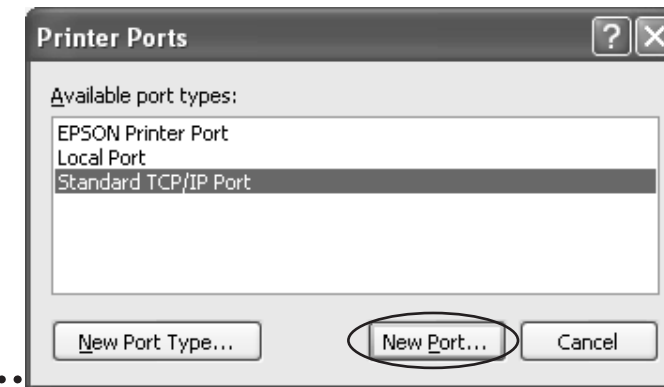
- 7 Follow the instructions on the screen to complete the wizard.

- 8 Click **Close** to close the Printer Ports window, then click **Apply** on the Properties window.

- 9 To test the connection, select the **General** tab and click **Print Test Page**.

If the test page prints, click **OK** to close the Properties window.

If it doesn't print, try the solutions on page 30 in *Setup and Installation*.



Windows Me, 98, or 95

Before you set up the port, you need to install the EpsonNet Direct Print Utility (if you haven't already done so). Double-click **Install EpsonNet Direct Print Utility** on the EPSON Installation Program screen, then follow the on-screen instructions to install the utility and restart your computer.

- 1 Click **Start > Settings > Printers**.
- 2 Right-click your printer icon, then click **Properties**. Click the **Details** tab.

- 3 Click **Add Port**.

- 4 Make sure **Network** is selected, then click **Browse**.

- 5 Click to expand the network path, then click the + next to **Epson_lpr** and select your printer.

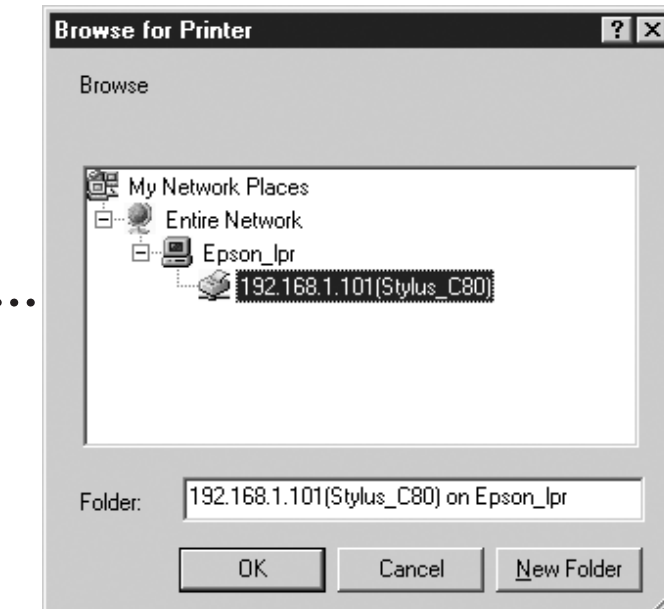
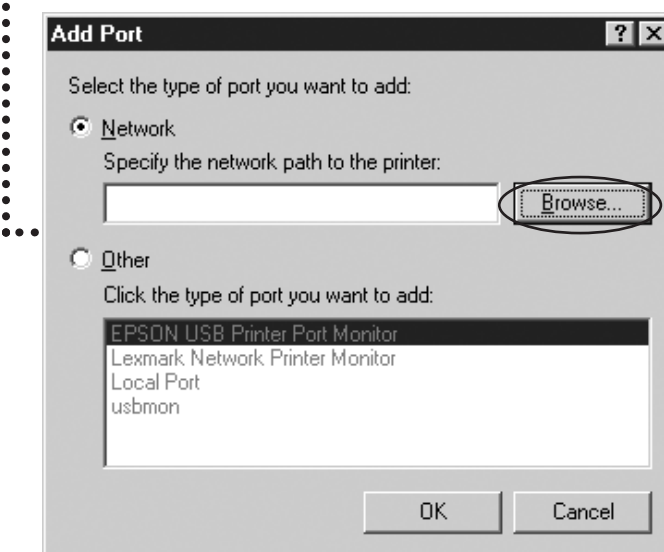
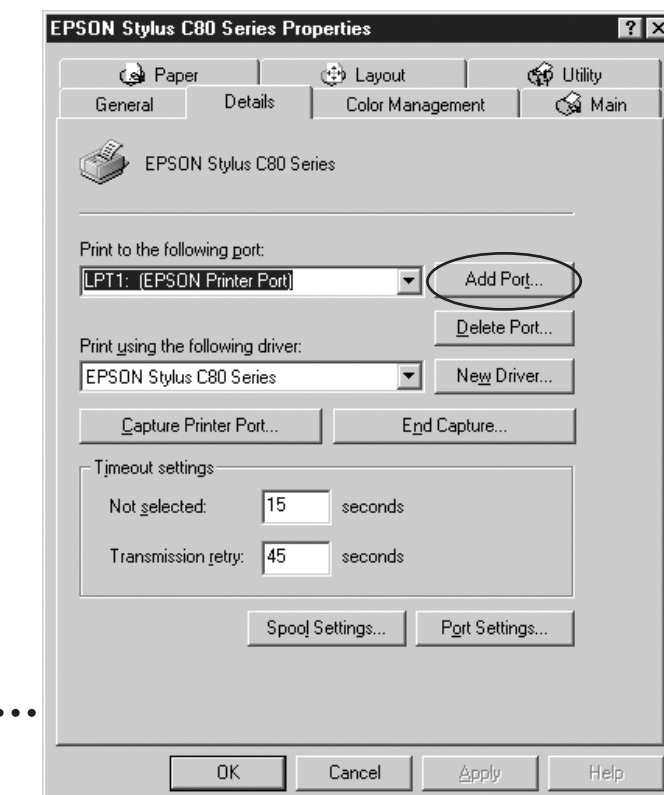
- 6 Click **OK**, then click **OK** again. Click **Apply** on the Details tab.

- 7 To test the connection, click the **General** tab and click **Print Test Page**.

If the test page prints, click **Yes**, then click **OK** to close the Properties window.

If it doesn't print, try the suggestions on page 33 in *Setup and Installation*.

Congratulations! You're ready for wireless printing. See *Printer Basics* for more information.



NOTE For Mac OS X support, go to the EPSON web site at support.epson.com.