



## Operating Instructions Digital Audio Player

### Model No. SV-SW30V SV-SW20V

#### Dear Customer

Thank you for purchasing this product. Before connecting, operating or adjusting this product, please read these instructions completely. Please keep this manual for future reference.

**Caution** This unit is not waterproof and should not be exposed to excessive moisture.

P PC En

**Panasonic Consumer Electronics Company**  
Division of Matsushita Electric Corporation of America  
One Panasonic Way Secaucus, New Jersey 07094  
<http://www.panasonic.com/>

**Panasonic Sales Company**  
Division of Matsushita Electric of Puerto Rico, Inc. ("PSC")  
Ave. 65 de Infantería, Km. 9.5 San Gabriel Industrial Park,  
Carolina, Puerto Rico 00985

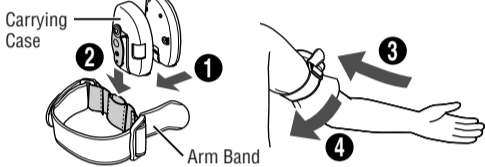
**Panasonic Canada Inc.**  
5770 Ambler Drive, Mississauga, Ontario L4W 2T3  
[www.panasonic.ca](http://www.panasonic.ca)

© 2004 Matsushita Electric Industrial Co., Ltd.  
Printed in Taiwan  
RQTT0553-P  
M0204SF0

#### Supplied accessories

Use numbers indicated when asking for replacements.

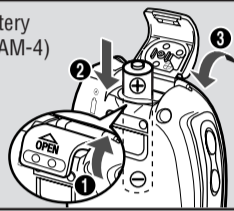
- 1 Pair of stereo headphones: LOBAD0000171
- 1 USB cable: K1HA05AD0001
- 1 CD-ROM (USB Driver)
- 1 Arm Band: RKHT0016
- 1 Carrying Case: RYKT0058



In the U.S.A.: To order accessories, refer to "Accessory Purchases" on page 2.

#### Battery (not included)

- 1 alkaline battery (LR03, AAA, AM-4)



#### Battery indicator



Full Empty:  
Replace with a fresh battery

If rechargeable batteries are to be used, rechargeable batteries manufactured by Panasonic are recommended.

#### Specifications

- Memory size:**  
SV-SW20V: 128 MB  
SV-SW30V: 256 MB
- Supported sampling frequency:**  
MP3 32 kHz, 44.1 kHz, and 48 kHz  
WMA 8 kHz to 44.1 kHz
- Supported bit-rates:**  
MP3 8 kbps to 320 kbps (128 kbps is recommend)  
WMA 32 kbps to 192 kbps (96 kbps is recommend)
- No. of channels:**  
Stereo, 2 channels
- Frequency response:**  
20 Hz to 20,000 Hz (+0 dB, -6 dB)
- Radio Frequency range (FM):**  
87.9 MHz to 107.9 MHz (200 kHz steps)  
87.5 MHz to 108.0 MHz (100 kHz / 50 kHz steps)
- Output:**  
4.5 mW + 4.5 mW (32 Ω, M3 jack)

- Power supply:**  
DC 1.5 V (one LR03, AAA, AM-4 battery)
- Approximate play times:**  
10 hours (alkaline battery, PLAYER)  
6 hours (alkaline battery, FM RADIO)
- Maximum dimensions (W×H×D):**  
56.3 × 82.0 × 25.1 mm (2 3/16" × 3 1/4" × 1")
- Cabinet dimensions (W×H×D):**  
54.0 × 81.0 × 23.0 mm (2 1/8" × 3 3/16" × 7/8")
- Mass:**  
67.7 g with battery (2.388 oz)  
56.2 g without battery (1.982 oz)

- Specifications are subject to change without notice.
- The play time shown depends on operating conditions.
- Mass and dimensions are approximate.
- MB means one million bytes. Useable capacity will be less.

#### Cautions

- Leave some slack in the cord of the headphones if you wind them around the unit.
- Do not:  
• disassemble, remodel, drop, or allow the unit to get wet.
- use or store in locations directly exposed to sunlight, corrosive gases, a heat vent, or a heating appliance.
- use or store in humid or dusty locations.
- use force to open the battery lid.

#### Batteries

- Do not peel off the covering on batteries and do not use if the covering has been peeled off.
- Align the poles + and - correctly when inserting batteries.
- Remove batteries if you do not intend to use the unit for a long time.
- Do not throw into fire, short-circuit, disassemble, or subject to excessive heat.
- Do not attempt to recharge dry cell batteries.

#### Allergies

Discontinue use if you experience discomfort with the headphones or any other parts that directly contact your skin. Continued use may cause rashes or other allergic reactions.

#### Listening caution

Do not play your headphones at a high volume. Hearing experts advise against continuous extended play. If you experience a ringing in

your ears, reduce volume or discontinue use. Do not use while operating a motorized vehicle. It may create a traffic hazard and is illegal in many areas.

You should use extreme caution or temporarily discontinue use in potentially hazardous situations.

Even if your headphones are the open-air type designed to let you hear outside sounds, don't turn up the volume so high that you can't hear what's around you.

Sound can be deceiving. Over time your hearing "comfort level" adapts to higher volumes of sound. So what sounds "normal" can actually be loud and harmful to your hearing.

Guard against this by setting your equipment at a safe level BEFORE your hearing adapts.

- To establish a safe level:
- Start your volume control at a low setting.
- Slowly increase the sound until you can hear it comfortably and clearly, and without distortion.

Once you have established a comfortable sound level:

- Leave it there.

**Caution:**  
• Use only the provided shielded interface cables when connecting to computer.  
• To reduce risk of radio interference caused by headphone-, earphone- or microphone cable, only use adequate accessories with cable length less than 3 m.

- Windows Media Player (Version 9.0 or later recommended) Free download from <http://www.microsoft.com/downloads/>
- Supports playback of MP3 and WMA music files
- Built-in FM tuner
- Portable data storage device (Plugs in directly to your PC)
- Play list (PLAYER) can contain up to 99 tracks.

#### PLAYER

Mode	Options
SOUND	NORMAL/ ROCK/ JAZZ/ CLASSIC/ POP/ USER (BASS, TREBLE)
PLAY	NORMAL/ ONE REPEAT/ ALL REPEAT/ RANDOM
INFO.	Information (TITLE/ ARTIST/ BIT RATE)
ERASE	SINGLE TRACK/ PLAY LIST/ ALL

#### FM RADIO

Mode	Options
BAND STEP	50 kHz/ 100 kHz/ 200 kHz
RECEPTION	NORMAL/ CITY

These tables show the mode menu items available in the PLAYER and FM RADIO modes.

The model number and serial number of this product can be found on either the back or the bottom of the unit. Please note them in the space provided below and keep for future reference.

MODEL NUMBER **SV-**  
SERIAL NUMBER

#### User memo

DATE OF PURCHASE \_\_\_\_\_  
DEALER NAME \_\_\_\_\_  
DEALER ADDRESS \_\_\_\_\_  
TELEPHONE NUMBER \_\_\_\_\_

#### Product service

- 1. Damage requiring service**  
The unit should be serviced by qualified service personnel if:  
(a) Objects or liquids have gotten into the unit; or  
(b) The unit has been exposed to rain; or  
(c) The unit does not operate normally or exhibits a marked change in performance; or  
(d) The unit has been dropped or the cabinet damaged.
- 2. Servicing**  
Do not attempt to service the unit beyond that described in these operating instructions. Refer all other servicing to authorized servicing personnel.
- 3. Replacement parts**  
When parts need replacing ensure the servicer uses parts specified by the manufacturer or parts that have the same characteristics as the original parts. Unauthorized substitutes may result in fire, electric shock, or other hazards.
- 4. Safety check**  
After repairs or service, ask the servicer to perform safety checks to confirm that the unit is in proper working condition.

#### Product information

For product information or assistance with product operation: In the U.S.A., refer to "Customer Services Directory" below on page 2.

In Canada, contact the Panasonic Canada Inc. Customer Care Centre at 905-624-5505, or visit the website ([www.panasonic.ca](http://www.panasonic.ca)), or an authorized Servicentre close to you.

#### Maintenance

Clean with a soft, dry cloth. Do not use any type of abrasive pad, scouring powder or solvent such as alcohol or benzene.

#### ONLY FOR U.S.A.

Panasonic Consumer Electronics Company,  
Division of Matsushita Electric Corporation of America  
One Panasonic Way Secaucus, New Jersey 07094

Panasonic Sales Company, Division of Matsushita Electric of Puerto Rico, Inc.,  
Ave. 65 de Infantería, Km. 9.5  
San Gabriel Industrial Park, Carolina, Puerto Rico 00985

### Panasonic Portable Audio Products Limited Warranty

#### Limited Warranty Coverage

If your product does not work properly because of a defect in materials or workmanship, Panasonic Consumer Electronics Company or Panasonic Sales Company (collectively referred to as "the warrantor") will, for the length of the period indicated on the chart below, which starts with the date of original purchase ("warranty period"), at its option either (a) repair your product with new or refurbished parts, or (b) replace it with a new or a refurbished product. The decision to repair or replace will be made by the warrantor.

Product or Part Name	Parts	Labor
All Portable Audio Products except item listed below	One (1) Year	One (1) Year
Rechargeable batteries (in exchange for defective item)	Ten (10) Days	Not applicable

During the "Labor" warranty period there will be no charge for labor. During the "Parts" warranty period, there will be no charge for parts. You must mail-in your product during the warranty period. This Limited Warranty excludes both parts and labor for batteries, antennas, and cosmetic parts (cabinet). This warranty only applies to products purchased and serviced in the United States or Puerto Rico. This warranty is extended only to the original purchaser of a new product which was not sold "as is".

#### Mail-In Service

For assistance in the continental U.S.A. in obtaining repairs please ship the product to:

**Panasonic Services Company**  
Customer Servicenter  
Suite B  
4900 George McVay Drive  
McAllen, TX 78503

For assistance in Puerto Rico call Panasonic Sales Company (787)-750-4300 or fax (787)-768-2910.

When shipping the unit carefully pack and send it prepaid, adequately insured and preferably in the original carton. Include a letter detailing the complaint and provide a day time phone number where you can be reached.

#### Customer Services Directory

Obtain Product Information and Operating Assistance; locate your nearest Dealer or Servicenter; purchase Parts and Accessories; or make Customer Service and Literature requests by visiting our Web Site at:  
<http://www.panasonic.com/support>  
or, contact us via the web at:  
<http://www.panasonic.com/contactinfo>  
You may also contact us directly at:  
1-800-211-PANA (7262),  
Monday-Friday 9 am-9 pm; Saturday-Sunday 10 am-7 pm, EST.

For hearing or speech impaired TTY users, TTY: 1-877-833-8855

**IF REPAIR IS NEEDED DURING THE WARRANTY PERIOD THE PURCHASER WILL BE REQUIRED TO FURNISH A SALES RECEIPT/PROOF OF PURCHASE INDICATING DATE OF PURCHASE, AMOUNT PAID AND PLACE OF PURCHASE. CUSTOMER WILL BE CHARGED FOR THE REPAIR OF ANY UNIT RECEIVED WITHOUT SUCH PROOF OF PURCHASE.**

#### Limited Warranty Limits And Exclusions

This warranty ONLY COVERS failures due to defects in materials or workmanship, and DOES NOT COVER normal wear and tear or cosmetic damage. The warranty ALSO DOES NOT COVER damages which occurred in shipment, or failures which are caused by products not supplied by the warrantor, or failures which result from accidents, misuse, abuse, neglect, mishandling, misapplication, alteration, faulty installation, set-up adjustments, misadjustment of consumer controls, improper maintenance, power line surge, lightning damage, modification, introduction of sand, humidity or liquids, commercial use such as hotel, office, restaurant, or other business or rental use of the product, or service by anyone other than a Factory Servicenter or other Authorized Servicer, or damage that is attributable to acts of God. **THERE ARE NO EXPRESS WARRANTIES EXCEPT AS LISTED UNDER "LIMITED WARRANTY COVERAGE".**

**THE WARRANTOR IS NOT LIABLE FOR INCIDENTAL OR CONSEQUENTIAL DAMAGES RESULTING FROM THE USE OF THIS PRODUCT, OR ARISING OUT OF ANY BREACH OF THIS WARRANTY.** (As examples, this excludes damages for lost time, travel to and from the servicer, loss of or damage to media or images, data or other memory or recorded content. The items listed are not exclusive, but are for illustration only.)

**ALL EXPRESS AND IMPLIED WARRANTIES, INCLUDING THE WARRANTY OF MERCHANTABILITY, ARE LIMITED TO THE PERIOD OF THE LIMITED WARRANTY.**

Some states do not allow the exclusion or limitation of incidental or consequential damages, or limitations on how long an implied warranty lasts, so the exclusions may not apply to you.

This warranty gives you specific legal rights and you may also have other rights which vary from state to state. If a problem with this product develops during or after the warranty period, you may contact your dealer or Servicenter. If the problem is not handled to your satisfaction, then write to the warrantor's Consumer Affairs Department at the addresses listed for the warrantor.

**PARTS AND SERVICE, WHICH ARE NOT COVERED BY THIS LIMITED WARRANTY, ARE YOUR RESPONSIBILITY.**

#### Accessory Purchases

Purchase Parts, Accessories and Instruction Books online for all Panasonic Products by visiting our Web Site at:  
<http://www.pasc.panasonic.com> or,  
send your request by E-mail to: [npeparts@panasonic.com](mailto:npeparts@panasonic.com)  
You may also contact us directly at:  
1-800-332-5368 (Phone) 1-800-237-9080 (Fax Only)  
(Monday - Friday 9 am to 8 pm, EST.)  
Panasonic Services Company  
20421 84th Avenue South, Kent, WA 98032  
(We Accept Visa, MasterCard, Discover Card, American Express, and Personal Checks)

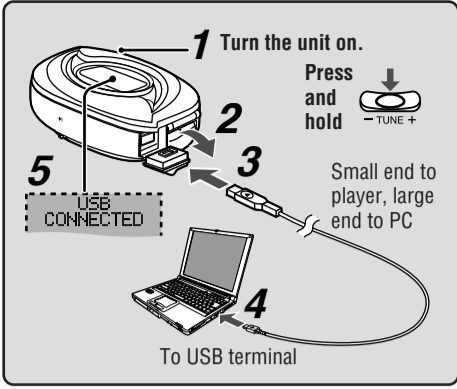
For hearing or speech impaired TTY users, TTY: 1-866-605-1277

#### Service in Puerto Rico

Matsushita Electric of Puerto Rico,  
Inc. Panasonic Sales Company/Factory Servicenter:  
Ave. 65 de Infantería, Km. 9.5, San Gabriel Industrial Park,  
Carolina, Puerto Rico 00985  
Phone (787) 750-4300, Fax (787) 768-2910

# Connecting to a computer and downloading files

## Connection



## Downloading MP3 and WMA

- In My Computer or Explorer, open the player's folder (removable disk or device).
  - Open the PLAYER folder.
  - Copy and paste or drag and drop the MP3/WMA files from your computer's folder into the PLAYER folder.
- "DOWNLOAD" appears on the player's display. Downloading is complete 10 seconds after "USB CONNECTED" re-appears.
- You can first put files into a new folder and then put that folder into the PLAYER folder. The folders are treated as sublists by the player and the names appear when you select play lists.

**Note**

- Use only alphanumeric characters, no more than 36 words.
- If there are no ID3 tags, the display shows the "filename.mp3".
- Supports MP3 ID3 V1 tags, ID3 V2 tags and WMA tags.
- Music protected by Windows Media Player cannot be played even if you download it.
- You cannot play MP3/WMA files that are in the player through the computer.

## After connection

- Windows® Me, 2000, or XP:** The computer automatically finds and installs the driver for the player.
- Windows® 98SE:** Put the included CD-ROM in your disc drive, then follow the instructions on the computer screen to install the driver. The player appears in My Computer or Explorer as a removable disk or device.

# Displays

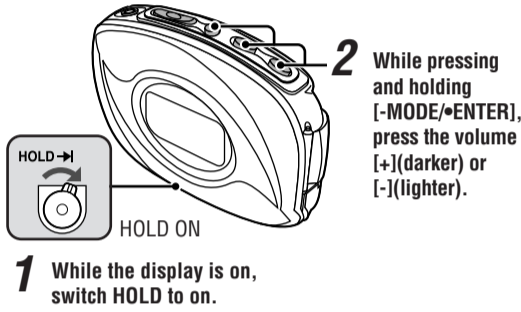
<b>NO TRACK PLAY</b>	• There is no audio data in the player.
<b>ERROR</b>	• The data format isn't standard.
<b>LOW BATTERY</b>	<ul style="list-style-type: none"> <li>The battery is dead.</li> <li>&lt;While playing&gt; Change the battery.</li> <li>&lt;While downloading&gt; <ol style="list-style-type: none"> <li>Cancel the download from your PC.</li> <li>After confirming "SAFE REMOVE" in the display, remove the USB cable.</li> <li>Change the battery.</li> </ol> </li> </ul>
<b>KEY LOCKED HOLD</b>	• The HOLD switch is on.
<b>MEMORY FULL</b>	• Memory is full.
<b>WARNING TRACK OVER</b>	• You have tried to record more than 99 tracks into a play list.

# Saving Data

- MP3 and WMA files in this unit can't be uploaded to a PC.
- You can use this unit as a removable disc for saving PC data by connecting the USB cable to a PC. (→above and page 4)

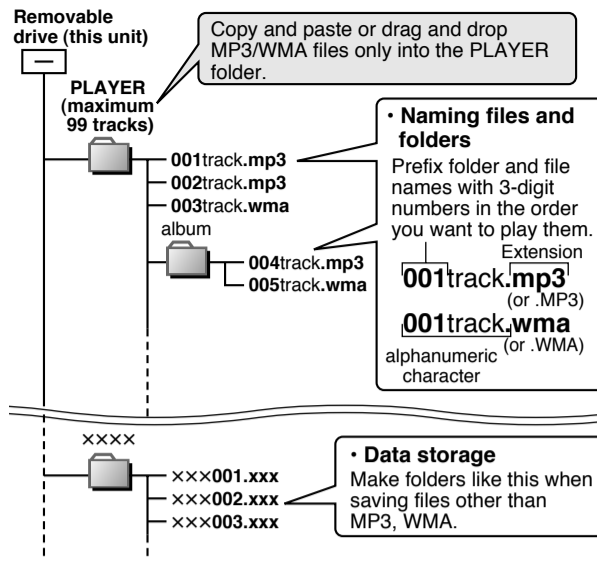
# Contrast

Adjust the contrast.



1 While the display is on, switch HOLD to on.

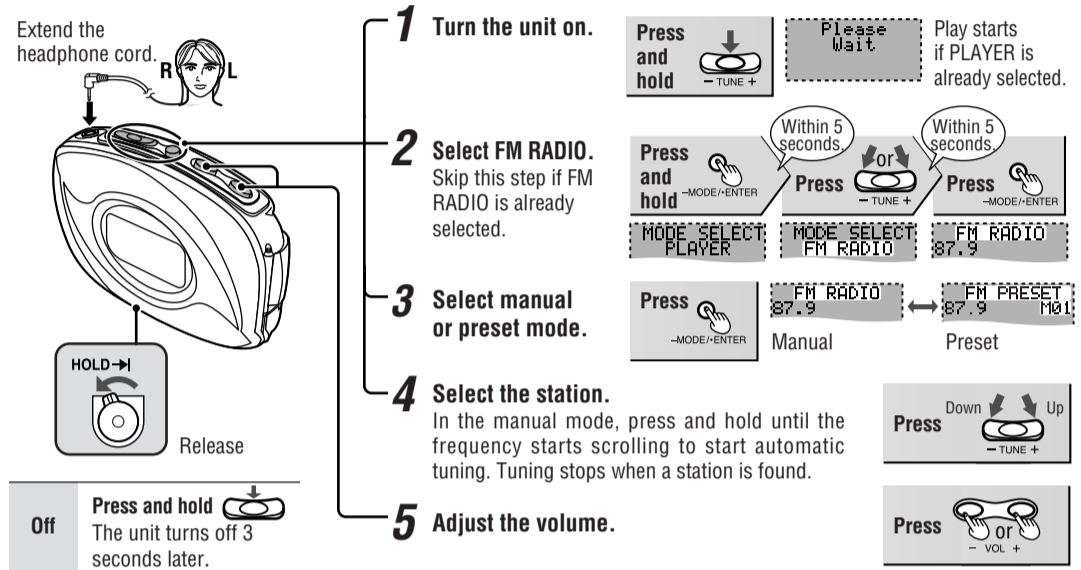
# Files and Folders Structure display on your computer



## Note

- Copy and paste or drag and drop MP3/WMA files only into the PLAYER folder. (Files put into folders other than the PLAYER folder are erased when you disconnect the USB cable.)
- You cannot upload MP3/WMA files from this unit's PLAYER folder to a computer, but you can erase them.
- You cannot play MP3/WMA files that are in this unit through the PC, even when they are connected with the USB cable.
- After downloading music data from the PC, the player automatically begins play once the USB cable is removed. Stop play if desired.
- If you try and play wave files (xxx.wav), that doesn't suit the PLAYER format, the unit may stop functioning. If this occurs, re-insert the battery to restart the unit.

# Using the FM radio (FM RADIO mode)

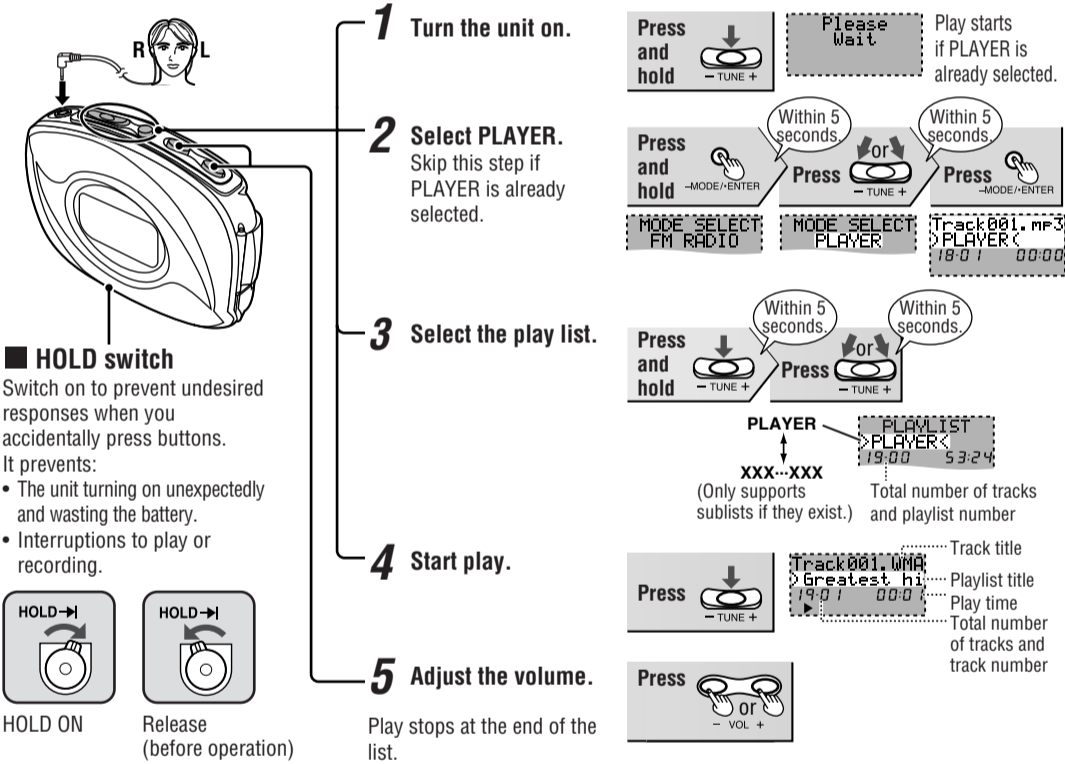


## Other FM RADIO features

After step 3	Press and hold	Press	Press	Press	Press	Press	Press	Press	Press
<b>Presetting the station</b>	20 stations can be stored.	FM PRESET 87.9 M01	FM RADIO MEMORY MODE	Select the frequency.	Select the channel.	Exit the mode menu.	MEMORY MODE	Press	[BAND STEP, RECEPTION]
<b>Changing the frequency step</b>	Change according to the area. Note that changing the step erases all preset stations.	FM PRESET 89.9 M02	FM RADIO BAND STEP	Select the step.	Exit the mode menu.	Even if you do not press and hold, it returns to the previous display after a few seconds.	RECEPTION NORMAL	Press	
<b>Changing the reception mode</b>	Select CITY if reception is poor.	FM RADIO RECEPTION	RECEPTION NORMAL						

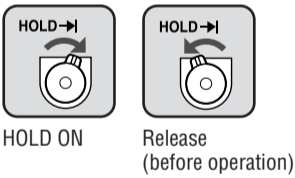
# Playing tracks (PLAYER mode)

Preparation: Download (→above).



**HOLD switch**  
Switch on to prevent undesired responses when you accidentally press buttons. It prevents:

- The unit turning on unexpectedly and wasting the battery.
- Interruptions to play or recording.



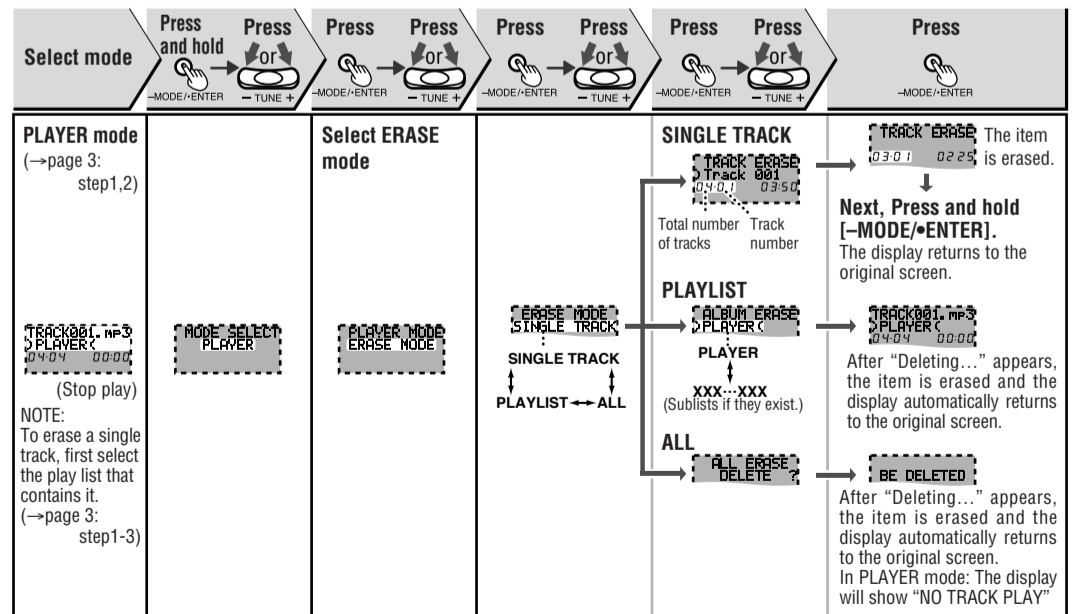
<b>A-B repeat</b> Play repeats between the two points.	Press [-MODE/ENTER] at the start point (A) and once more at the end point (B) and once more at the end point (B). Press [-MODE/ENTER] to cancel.	<b>Stop and off</b>	Press [TUNE+]. The unit turns off 10 seconds later. Resume: When you next press [TUNE+], play resumes from where you stopped it.
<b>Skip</b>	Press backward forward	<b>Search</b>	During play, press and hold backward forward

## Other PLAYER features

After step 2	Press and hold	Press	Press	Press	Press	Press	Press	Press	Press
<b>Changing the Sound quality</b>		Select the sound quality.	Exit the mode menu.						
<b>Repeat and Random play</b>		Select the play mode.							
<b>Track Information</b>		Select the information.							
<b>Erasing the tracks and lists</b>		ERASE MODE (→page 4)							

# Erasing tracks and play lists

You can erase a single track (SINGLE TRACK), a play list (PLAYLIST), or all tracks in the each player mode (ALL).



You can also erase play lists and tracks on your computer when the player's folder is open. (→page 3)

- Microsoft, the Microsoft logo, the Windows, Windows logo, Windows NT and Windows Media are either trademarks or registered trademarks of Microsoft Corporation in the United States and other countries.
- WMA is a compression format developed by Microsoft Corporation. It achieves the same sound quality as MP3 with a file size that is smaller than that of MP3.
- MPEG Layer-3 audio decoding technology licensed from Fraunhofer IIS and Thomson multimedia.
- Other names of systems and products mentioned in these instructions are usually the registered trademarks or trademarks of the manufacturers who developed the system or product concerned.

