

**ZANUSSI**

---

**Instructions  
for the use and care  
of ZB502 VR - VF17  
freezer**

# Installation

## Please note

If you are discarding an old refrigerator or freezer that has a lock on the door, please ensure that the lock is made unusable to avoid accidents to young children.

## Electricity Supply

The appliance is for operation on a 220/240 V 50 c/s supply, so be sure that your Electricity supply voltage is within this range which is marked on the nameplate located inside the cabinet.

## Earthing

**WARNING: THIS APPLIANCE MUST BE EARTHED.** The manufacturer declines any liability should this safety measure not be observed.

If the plug that is fitted to your appliance is not suitable for your socket outlet, it must be cut off and the appropriate plug fitted. The cut off plug should be disposed of to prevent the hazard of electric shocks in case it should be plugged into a 13 Amp socket in another part of your home.

## Electrical connection

### IMPORTANT

The wires in this mains lead are coloured in accordance with the following code:

GREEN AND YELLOW - EARTH

BLUE - NEUTRAL

BROWN - LIVE

If you fit your own plug, the colours of the wires in the mains lead of your appliance may not correspond with the markings identifying the terminals in your plug, this is what you have to do: Connect the green and yellow (earth) wire to the terminal in the plug which is marked with the letter «E» or the earth symbol  $\perp$ , or coloured green, or green and yellow.

Connect the blue (neutral) wire to the terminal in the plug which is marked with the letter «N» or coloured black. Connect the brown (live) wire to the terminal which is marked with the letter «L» or coloured red.

The plug moulded on to the cord incorporates a fuse. For replacement use a 13 Amp BS 1362 fuse. Only ASTA approved fuses should be used.

The fuse cover/carrier must be replaced in the event of changing fuse.

The right fuse cover/carrier colour is the one shown by the coloured insert at the base of the plug or is the colour of the inscription at the base of the plug.

The plug must not be used if the fuse cover/carrier is lost. A replacement cover/carrier must be obtained from Zanussi Service Agents whose addresses are listed on the attached «Zanussi Service and Spares Nationwide».

**This appliance complies with E.E.C. Directive No. 82/499 of 7.6.82 relative to radio interference suppression.**

## Location

Place the appliance away from all heat sources, such as: radiators, heating stoves, direct sunlight, etc. Best results are obtained with a room temperature ranging between  $+16^{\circ}\text{C}$  and  $+32^{\circ}\text{C}$  (for “class N” appliances).

Make sure that there is nothing at the back, at the top and at the bottom of the appliance to obstruct air circulation.

For a more efficient operation of the appliance, the minimum distance between the top of the appliance and other overhanging kitchen furniture, if any, should be at least 100 mm (see Fig. 1/A).

However, the best solution would be that shown in Fig. 1/B with no overhanging furniture.

One or more adjustable feet at the cabinet base make it possible to accurately level the appliance.

## Before using

Remove all securing tapes. Wash inside the appliance with lukewarm water and a little bicarbonate of soda (one teaspoonful to a quart of water). Do not use soap or detergents as the smell might linger. Dry thoroughly. Repeat the above for regular cleaning of your appliance. Insert plug into wall socket and switch on.

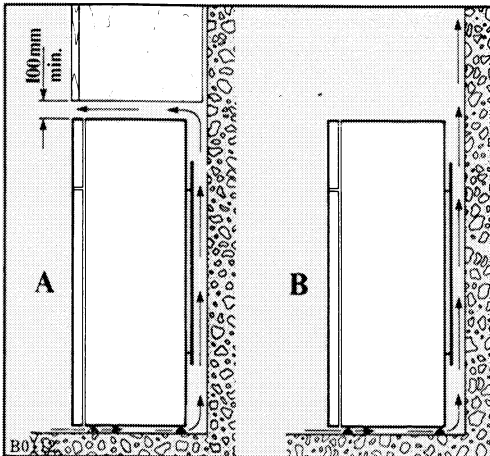


Fig. 1

# Operation

The deep-freezer (\*\*\*\*) is suitable for long term storage of frozen food (\*\*\*\*) (3 months, unless otherwise stated by the manufacturer) and freezing of fresh food. Do not exceed the storage limits for the rating of the frozen food packets given by the manufacturers.

## Starting-Up and Temperature Regulation

To start the deep-freezer, turn the thermostat control knob (located on side of cabinet) to the «SUPER» position (to freeze) or to the «NORMAL» position (to store), as may be required.

## Freezing of Foods

If the appliance has not been used previously, it must be left to run for at least three hours with the thermostat knob on «SUPER» before loading with food to be frozen.

However, if the appliance is already running, switch to quick-freeze operation (by turning the knob to position «SUPER») at least 24 hours before introducing the fresh food to be frozen. Once the fresh food is placed in the freezer, let it run on quick-freeze for another 24 hours, after which the freezing process may be regarded as completed. Then, switch back to normal operation (by turning the knob back to position «NORMAL»).

In order to freeze properly, proceed as follows:

Only use top quality foodstuffs which are fresh and properly cleaned, since freezing preserves quality but cannot improve it. Prepare foodstuffs for deep-freezing in small portions so that each piece can be frozen rapidly right the way through. This procedure also allows you to use complete portions as required, rather than thawing out a large piece when only a small amount is needed.

Remember that frozen food once thawed, deteriorates rapidly if frozen again.

Always remember that lean foodstuffs store better and longer than fat foodstuffs and that salt reduces the storing time.

Wrap the food in aluminium foil or polythene and make sure the packages are sealed.

Do not place fresh food to be frozen close to frozen food already stored in the freezer.

Always leave the door closed when freezing.

The maximum amount of fresh food that can be frozen in 24 hours is: 6 Kg.

Foods to be frozen must be placed on the bottom of the inner liner and not on the shelf.

## Storage of Food

Storage volume of the freezer: 50 litres. If the appliance has never been used, or after a period of inaction, it must be left to run for at least three hours with the knob on «SUPER» before storing frozen foods inside it, then turn knob back to «NORMAL». In the «NORMAL» position, under ordinary working conditions, the temperature inside the freezer is automatically regulated by a special thermostat, designed to obtain the most suitable temperature for storage.

To obtain the best service from the appliance it is advisable to make sure that the frozen foods have been properly stored by the retailer and that the transfer from retailer to your freezer is effected in the shortest time possible. Moreover, it is important not to exceed the storage period indicated by the producer of the frozen foods.

Do not open the door often or leave it open longer than absolutely necessary.

## **Warning**

Do not store carbonated (fizzy) drinks in the freezer. Water ices (lollies) should never be handled or consumed immediately after removal from the freezer, as this can cause a low temperature skin burn.

## **Important**

If the electricity supply fails when storing frozen foods, do not open the door at all while the power is off. The frozen foods will not deteriorate in any way if the power failure is of short duration and the freezer is full.

## **Defrosting**

Whilst in operation the inner liner becomes progressively covered with frost.

This should be removed with the special plastic scraper provided whenever the thickness exceeds 1/4".

During this operation it is not necessary to switch off the power supply or remove the foodstuffs.

However, if the ice should become very thick on the inner liner, complete defrosting should be carried out because ice will act as an insulator and prevent freezing. It is advisable to carry out this operation when the stock of frozen food is very low.

## **Caution**

A rise in temperature of frozen foods can shorten their storage life.

To carry out complete defrosting proceed as follows:

Remove from the freezer whatever food is contained therein, wrap in several sheets of newspaper and place in a refrigerator or similar cold location.

Turn the knob to the «STOP» position.

Leave the door open and place a bowl of hot water inside the freezer: the hot water will accelerate the process of defrosting.

After defrosting is completed, dry freezer thoroughly, close the door and then turn the knob to the «SUPER» position for at least 3 hours, after which the frozen food can be replaced in the freezer and the knob turned to the «NORMAL» position.

## **Maintenance**

Prior to undertaking any maintenance operation, be sure to unplug the appliance from the wall socket as a safety precaution.

Clean out the interior periodically with lukewarm water and bicarbonate of soda, the cabinet exterior with Silicon wax spray, the condenser and the motor compressor with a brush or a vacuum cleaner.

Remember to switch off the electricity supply at the wall socket prior to commencing cleaning.

# Servicing

Should service be required for this appliance, contact your local ZANUSSI Service Agent but before requesting service the following simple checks may save you inconvenience and expense:

Check that the plug is firmly in the wall socket by plugging in another appliance.

If fused plug, replace fuse, plug in and switch on.

Turn thermostat to «SUPER» position.

If the motor still does not run, contact your ZANUSSI Service Agent.

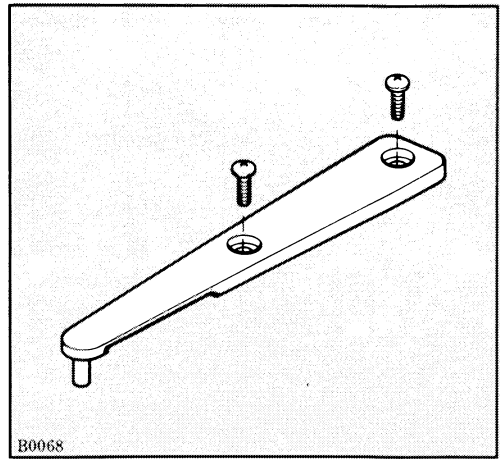


Fig. 2

## Door reversal directions

Before carrying out the operations described below, pull out the mains plug from the wall socket.

Proceed as follows:

a) Remove the top hinge (Fig. 2) and refit it on the opposite side.

b) Remove the bottom hinge (A - Fig. 3) and refit it on the opposite side.

c) Remove the two screws securing the door handle and refit it on the opposite side of the door (the holes are already provided).

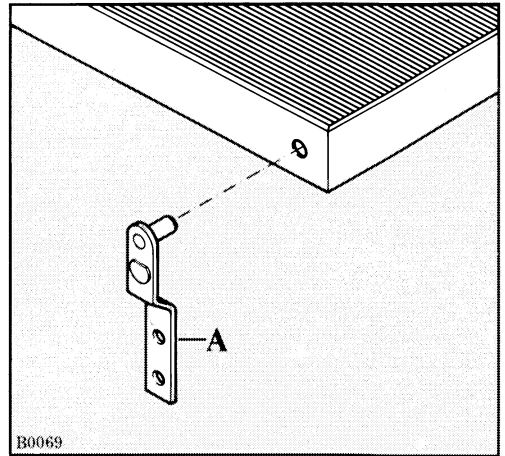


Fig. 3





## ZANUSSI STANDARD GUARANTEE CONDITIONS

This guarantee is in addition to your statutory and other legal rights which will not be excluded or in any way diminished by the return of the guarantee card.

We, IAZ International (UK) Ltd, undertake that if, within twelve months (24 months for TV sets) of the date of the purchase, this ZANUSSI appliance or any part thereof is proved to be defective by reason only of faulty workmanship or materials, we will, at our option, repair or replace the same **FREE OF ANY CHARGE** for labour, materials or carriage on condition that:

—The appliance has been correctly installed and used only on the electricity supply stated on the rating plate.

—The appliance has been used for normal domestic purposes only, and in accordance with the manufacturer's operating and maintenance instructions.

—The appliance has not been serviced, maintained, repaired, taken apart or tampered with by any person not authorised by us.

—The appliance is still in the possession of the original purchaser.

All service work under this guarantee must be undertaken by a Zanussi Network Service Centre (or the Zanussi Authorised TV Service Dealer).

Any appliance or defective part replaced shall become our property.

### Exclusions

This guarantee does not cover:

—Damage or calls resulting from transportation, improper use or neglect, the replacement of any light bulbs or removable parts of glass or plastic.

—Costs incurred for calls to put right machines improperly installed or calls to machines outside the UK and the Republic of Ireland.

—Appliances found to be in use within a commercial environment, plus those which are the subject of rental agreements.

—Television receivers - routine adjustment, or poor reception resulting from a source outside of the receiver.



## ZANUSSI 5 YEAR COVER CONDITIONS

For a once-only payment you can extend your Standard Guarantee to 5 years. All the conditions and exclusions of the Standard Guarantee apply.

### Notes

1. Products supplied as "seconds", refurbished, damaged or shop-soiled are not eligible for Zanussi 5 year cover.
2. The issue of a cover does NOT by virtue of our having done so, nullify the exclusions.
3. The Engineer will need to check the details of your Cover card and may make a charge for his services if it is not presented to him at the time of his call.
4. The date of purchase, or the date of initial payment (deposit) of the appliance will be deemed the date of commencement of cover.
5. Covers issued are not refundable or transferable.

**ZANUSSI**  
The appliance of science