



# PR08000 Portable Generator Illustrated Parts List

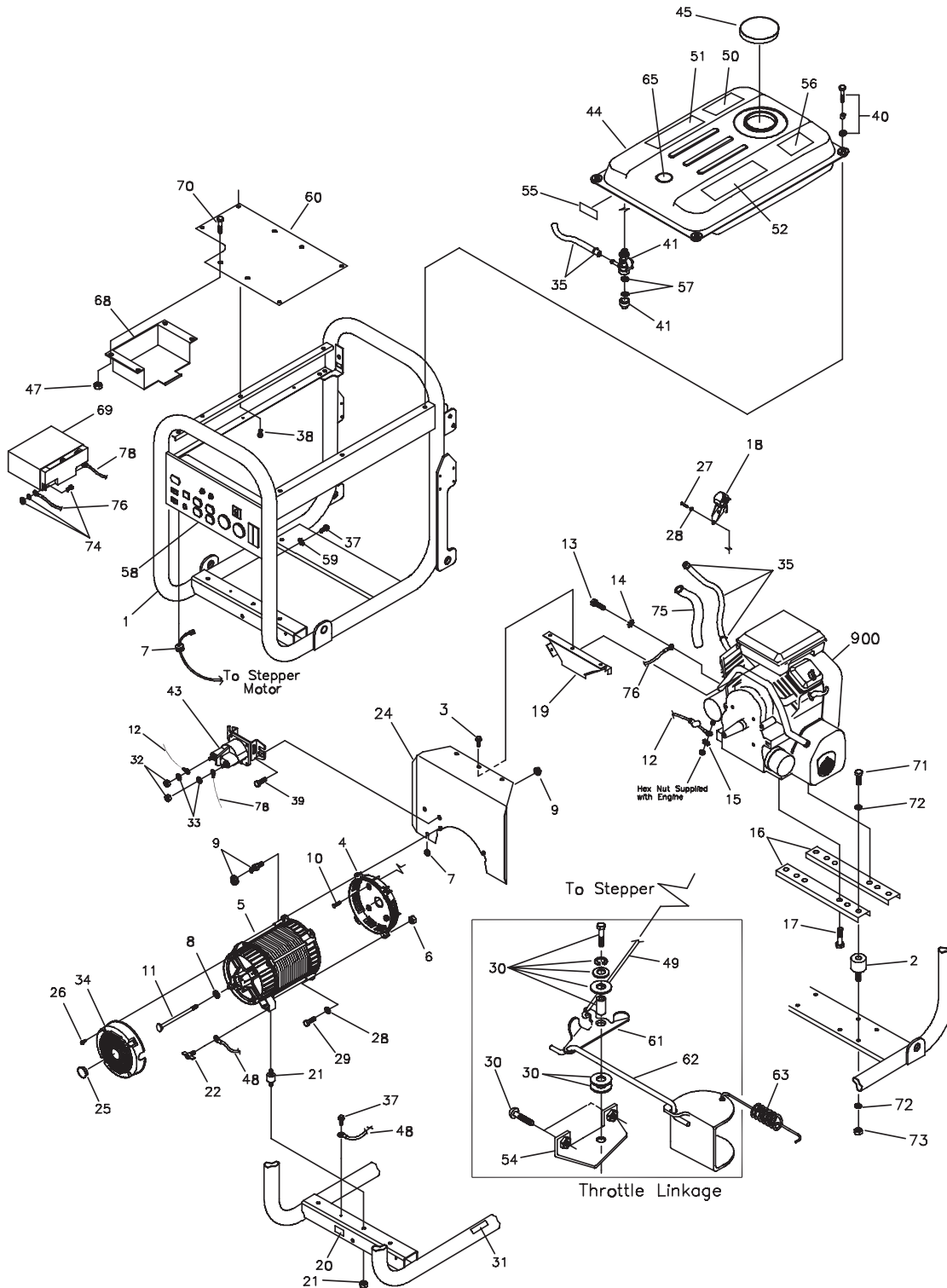


**BRIGGS & STRATTON POWER PRODUCTS GROUP, LLC  
JEFFERSON, WISCONSIN, U.S.A.**

Model 030382 Manual No. 204729A Revision A (01/24/2008)

# Exploded Views and Parts Lists

## EXPLODED VIEW - MAIN UNIT



Copyright © 2008 Briggs & Stratton Power Products Group, LLC. All rights reserved. No part of this material may be reproduced or transmitted in any form by any means without the express written permission of Briggs & Stratton Power Products Group, LLC.

# Exploded Views and Parts Lists

## PARTS LIST - MAIN UNIT

| Item | Part #    | Description   |
|------|-----------|---|
| 1    | B204637GS | CRADLE (Includes Items 20 & 31)                               |
| 2    | 38353GS   | MOUNT, Vibration  |
| 3    | 56893GS   | CRIMPTITE, 10-24 x 1/2  |
| 4    | 190220GS  | ADAPTER, Engine   |
| 5    | NSP       | ASSY., Alternator (see page 5)                                |
| 6    | *         | NUT, Hex, M8 - 1.25   |
| 7    | 62265GS   | GROMMET   |
| 8    | 96796GS   | WASHER, 8.4 x 22.2 x 3  |
| 9    | 194208GS  | KIT, Alt to Heat Shield Hardware                              |
| 10   | 190274BGS | SBHCS, 3/8-16 x 1"  |
| 11   | 25254GS   | HHCS 5/16-24 x 9-7/8  |
| 12   | 189302BGS | WIRE, #16, Red  |
| 13   | *         | HHCS, M8 - 1.25 x 16  |
| 14   | *         | WASHER, Shakeproof, Ext. 5/16                                 |
| 15   | *         | WASHER, Shakeproof, Ext. M6                                   |
| 16   | B77304GS  | SUPPORT, Engine   |
| 17   | 75246GS   | TAPTITE, 3/8 - 16 x 1-1/4                                     |
| 18   | 195404GS  | ASSY, Stepper Motor   |
| 19   | J93074GS  | SUPPORT, Heatshield   |
| 20   | B4986GS   | DECAL, Ground   |
| 21   | 194155GS  | KIT, Vibration Mount  |
| 22   | 86494GS   | SCREW, Wing M6 - 1.0 x 16                                     |
| 24   | 194950GS  | ASSY., Heat Shield  |
| 25   | 191190GS  | CAP   |
| 26   | 74908GS   | TAPTITE, M5 - 0.8 x 10  |
| 27   | *         | HHCS, M8 - 1.25 x 20  |
| 28   | *         | WASHER, 5/16 M8 Lock  |
| 29   | *         | HHCS, M8-1.25 x 25  |
| 30   | 194543GS  | KIT, Throttle Linkage Hardware                                |
| 31   | 200310GS  | DECAL, Exhaust Warning  |
| 32   | *         | NUT, 1/4 - 20   |
| 33   | *         | WASHER, 1/4 Lock  |
| 34   | 195422GS  | COVER, RBC Plastic w/Cap                                      |
| 35   | 791745    | KIT, Hose, Fuel   |
| 37   | B2153GS   | SCREW, Self Driller, 12-14 x 7/8                              |
| 38   | 192376GS  | SCREW, 12 - 24 x 1/2 Thread Forming                           |
| 39   | B4300GS   | HHS, Trilobular, 1/4 - 20 x 1/2                               |
| 40   | 198221GS  | KIT, Fuel Tank Hardware (Includes Qty 4)                      |
| 41   | 193272GS  | VALVE, Fuel   |
| 43   | B4769GS   | CONTACTOR, Starter  |
| 44   | 196035GS  | ASSY., Tank Fuel (Includes Items 41, 50, 51, 52, 55, 56 & 65) |
| 45   | 189135GS  | CAP, Tank Fuel  |
| 47   | 77395GS   | LOCKNUT, M6   |
| 48   | 195373GS  | WIRE, Ground  |
| 49   | 95920GS   | LINKAGE, Stepper Motor to Bell Crank                          |

| Item | Part #    | Description                     |
|------|-----------|---------------------------------|
| 50   | 188333GS  | DECAL, Instruction, Fuel        |
| 51   | 194984GS  | DECAL, Warning                  |
| 52   | 94480GS   | DECAL, Operating Instructions   |
| 54   | 95349GS   | PLATE, Adjust                   |
| 55   | 197797GS  | DECAL, Fuel Shutoff             |
| 56   | 202997GS  | DECAL, Warning, CO              |
| 57   | 189759GS  | KIT, Fuel Valve Repair          |
| 58   | 202526GS  | ASSY. Control Panel             |
| 59   | *         | WASHER, Ext #10, Shakeproof     |
| 60   | J193512GS | SUPPORT, Tray Battery           |
| 61   | 95348GS   | BRACKET, Bell Crank             |
| 62   | 95921GS   | LINKAGE, Bell Crank to Throttle |
| 63   | 96717GS   | SPRING                          |
| 65   | 192724GS  | GAUGE, Gas                      |
| 68   | J195680GS | TRAY, Battery                   |
| 69   | 193043GS  | BATTERY                         |
| 70   | *         | HHCS, M6 -1.0 x 12              |
| 71   | *         | HHCS, 3/8 - 16 x 3/4            |
| 72   | *         | WASHER, 3/8, Lock               |
| 73   | *         | NUT, 3/8 - 16                   |
| 74   | 193347GS  | KIT, Hardware Battery           |
| 75   | 280623    | TUBING, Fuel line               |
| 76   | 185939GGS | WIRE, #55 Black                 |
| 78   | 189302EGS | WIRE, #13 Red                   |
| 900  | §         | ENGINE                          |

### Parts Not Illustrated

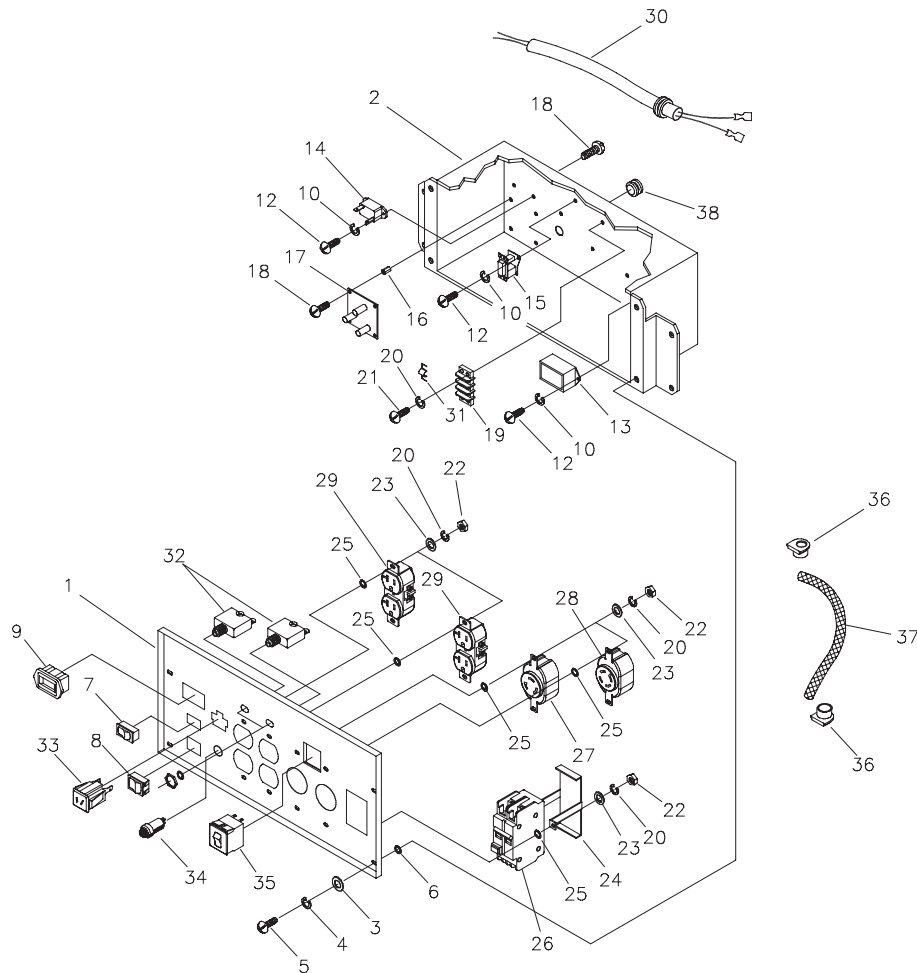
|           |                        |
|-----------|------------------------|
| 204729GS  | MANUAL, Operator's     |
| BB3061GS  | BOTTLE, Oil (Qty 1)    |
| BB3061BGS | BOTTLE, Oil (Qty 1)    |
| B4177GS   | CHARGER, Battery       |
| 202179GS  | DECAL, Family, CA EVP  |
| 205487GS  | KIT, Decal Service     |
| 43438GS   | PLUG, 120/240V, 30A 4P |
| 100523GS  | PLUG, 125V, 30A 3P     |
| 65787GS   | CABLE, Battery Charge  |
| 690661    | SCREW, Tapping Hex     |
| 392390    | ARRESTER, Spark        |
| 692099    | ASSY., Muffler         |
| 691513    | BRACKET, Muffler       |
| 692056    | SCREW                  |
| 690898    | CLAMP, Muffler         |
| 692539    | SCREW                  |

\* - Items without part numbers are common fasteners and are available at your local hardware store.

§ - Contact Engine Manufacturer

# Exploded Views and Parts Lists

## CONTROL PANEL EXPLODED VIEW & PARTS LIST



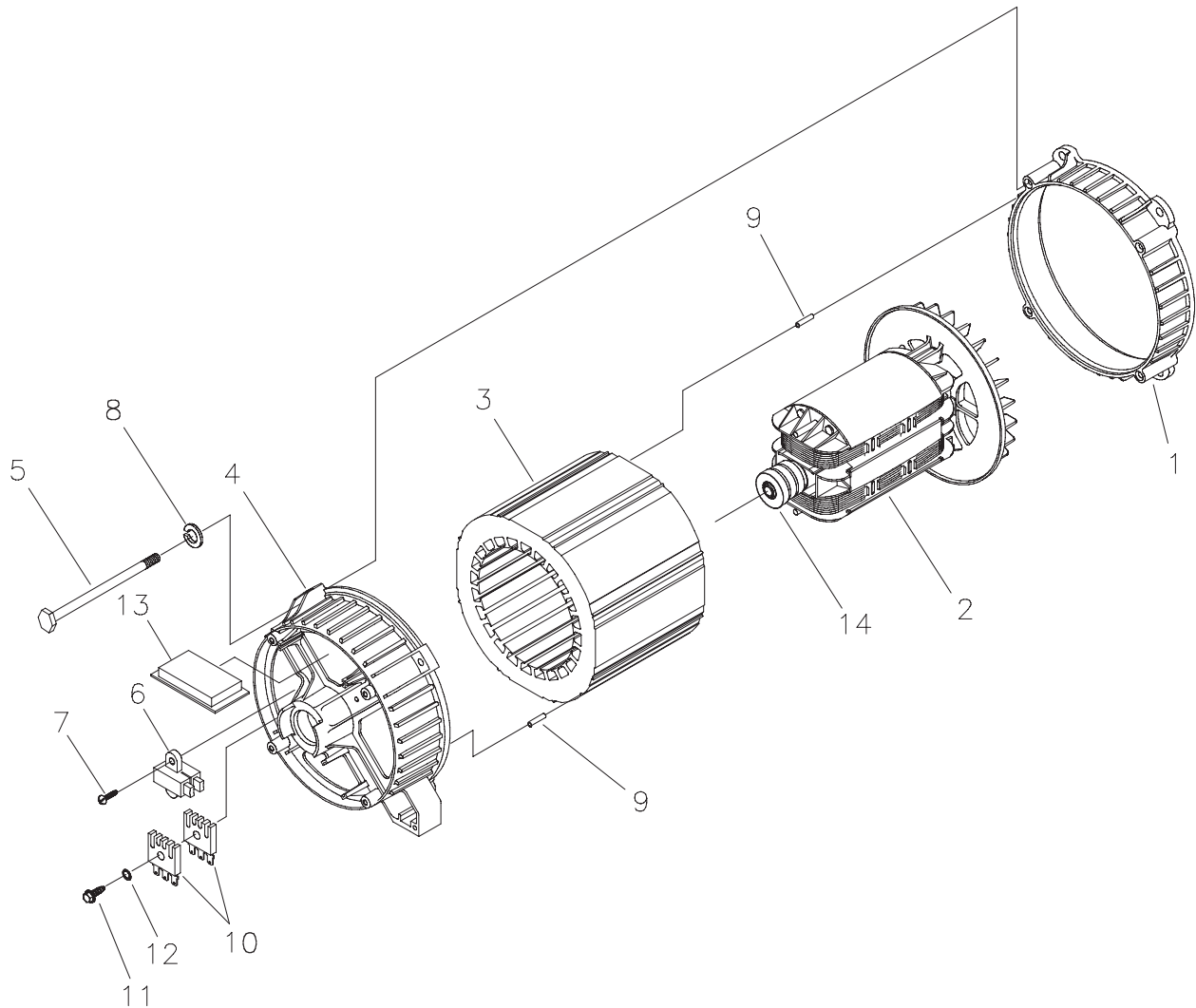
| Item | Part #    | Description                       |
|------|-----------|-----------------------------------|
| 1    | B195397GS | PANEL, Control                    |
| 2    | B192837GS | BOX, Control Panel                |
| 3    | *         | WASHER, Flat, #10 - M5            |
| 4    | *         | LOCKWASHER, M5                    |
| 5    | *         | PPHMS, M5 - 0.8 x 12              |
| 6    | *         | WASHER, M6 - 1/4, Int. Shakeproof |
| 7    | 82538GS   | SWITCH, Rocker                    |
| 8    | 192855GS  | SWITCH, Rocker                    |
| 9    | 202602GS  | HOUR METER                        |
| 10   | *         | LOCKWASHER, M3                    |
| 11   | *         | NUT, M3 - 0.5                     |
| 12   | *         | PHMS, M3 - 0.5 x 10               |
| 13   | 77314GS   | THERMAL, Relay                    |
| 14   | 87962GS   | BREAKER, Circuit, 10A, 12V        |
| 15   | 84028GS   | TRANSFORMER, Idle Control         |
| 16   | 64525GS   | STANDOFF, Hex, 3/4"               |
| 17   | 195406GS  | PCB, Idle Control, 10KW           |
| 18   | *         | PHTS, 6 - 32 x 3/8"               |
| 19   | 92953GS   | TERMINAL, Block                   |
| 20   | *         | LOCKWASHER, M4                    |
| 21   | *         | PPHMS, M4 - 0.7 x 20              |

| Item | Part #    | Description                         |
|------|-----------|-------------------------------------|
| 22   | *         | NUT, M4 - 0.7                       |
| 23   | *         | WASHER, Flat, M4                    |
| 24   | 192931GS  | BRACKET, GFCI Breaker               |
| 25   | *         | WASHER, Shakeproof, Int. #8         |
| 26   | 192828EGS | BREAKER, Circuit, GFCI, 40A         |
| 27   | 68868GS   | OUTLET, 120V, 30A                   |
| 28   | 43437GS   | OUTLET, 120/240V, 30A               |
| 29   | 68759GS   | OUTLET, 120V, 20A, Duplex           |
| 30   | 194953GS  | HARNES, Wire                        |
| 31   | 193597GS  | JUMPER, Terminal Block              |
| 32   | 202394GS  | BREAKER, Circuit, 20A with hardware |
| 33   | 90418GS   | OUTLET, 12VDC, Snap                 |
| 34   | B4694GS   | JACK, Coaxial                       |
| 35   | 202033GS  | BREAKER, Circuit, 30A, 2P           |
| 36   | 188632GS  | BOOT, Rubber Wire Outlet            |
| 37   | 77043BGS  | CONDUIT, Flex, .50 I.D. x 9.5       |
| 38   | 62265GS   | GROMMET                             |

\* - Items without part numbers are common fasteners and are available at your local hardware store.

# Exploded Views and Parts Lists

## ALTERNATOR EXPLODED VIEW & PARTS LIST

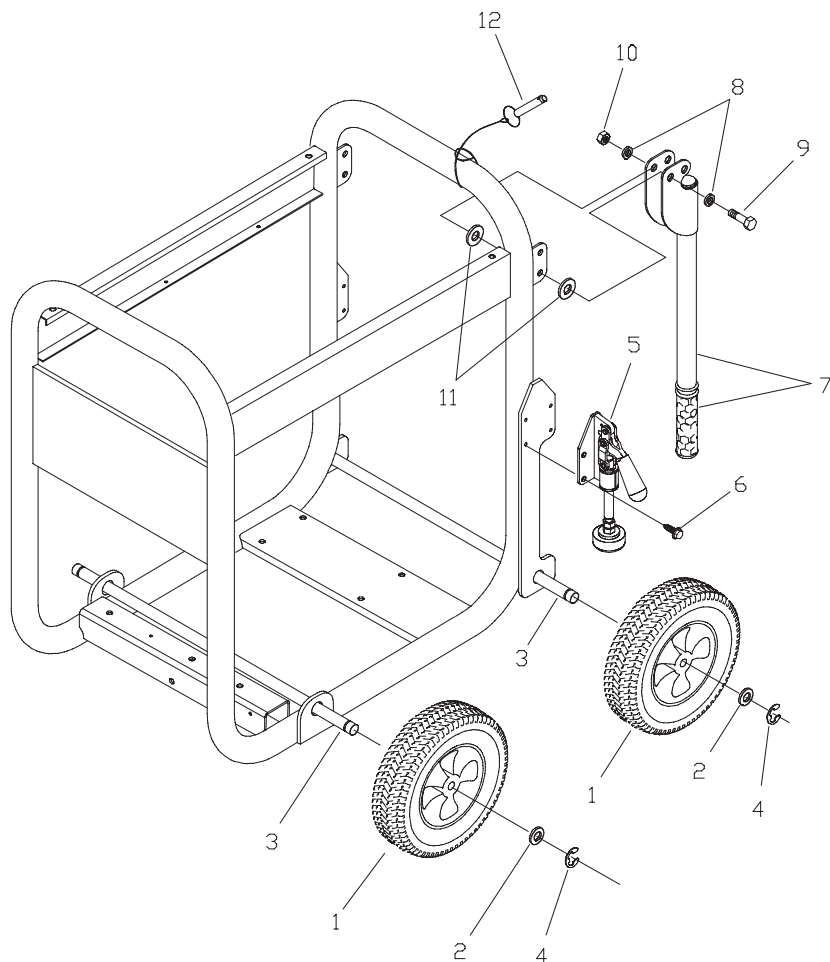


| Item | Part #    | Description                     |
|------|-----------|---------------------------------|
| 1    | 186059GS  | ADAPTER, Mounting, Alternator   |
| 2    | 192938GS  | ROTOR                           |
| 3    | 192937AGS | STATOR                          |
| 4    | 186060GS  | RBC, with O-Ring (p/n 189197GS) |
| 5    | 66449LGS  | HHCS, M6 - 1.0 x 190 SEMS       |
| 6    | 66386GS   | ASSY, Holder, Rectifier/Brush   |
| 7    | 66849GS   | TAPTITE, M5 - 0.8 x 16          |
| 8    | *         | LOCKWASHER, 1/4 - M6            |
| 9    | 81917GS   | PIN, Roll, 4mm x 10             |
| 10   | 65795GS   | RECTIFIER, Battery Charge       |
| 11   | 66849CGS  | TAPTITE, M5 - 0.8 x 30          |
| 12   | *         | WASHER, Shakeproof, Ext. #10    |
| 13   | 189769GS  | REGULATOR, Voltage-AVR          |
| 14   | 65791GS   | BEARING                         |

\* - Items without part numbers are common fasteners and are available at your local hardware store.

# Exploded Views and Parts Lists

## WHEEL KIT EXPLODED VIEW & PARTS LIST



| Item | Part #    | Description                       |
|------|-----------|-----------------------------------|
| 1    | 203273GS  | WHEEL                             |
| 2    | *         | WASHER, 5/8"                      |
| 3    | 191267TGS | AXLE                              |
| 4    | 191265GS  | E-RING                            |
| 5    | 205135GS  | ASSY, Brake                       |
| 6    | *         | SCREW, 1/4-20 x 3/8               |
| 7    | B193200GS | ASSY, Handle w/Grip               |
|      | 198669GS  | GRIP                              |
| 8    | *         | WASHER, Flat, 5/16 - M8           |
| 9    | *         | NUT, M8 - 1.25, Nylok             |
| 10   | *         | HHCS, M8 - 1.25 x 45              |
| 11   | *         | WASHER, 1.2 x 0.346 x 0.03, Nylon |
| 12   | B4135GS   | PIN, Handle                       |

### Items Not Illustrated

205183GS SUBKIT, Hardware

\* - Items without part numbers are common fasteners and are available at your local hardware store.