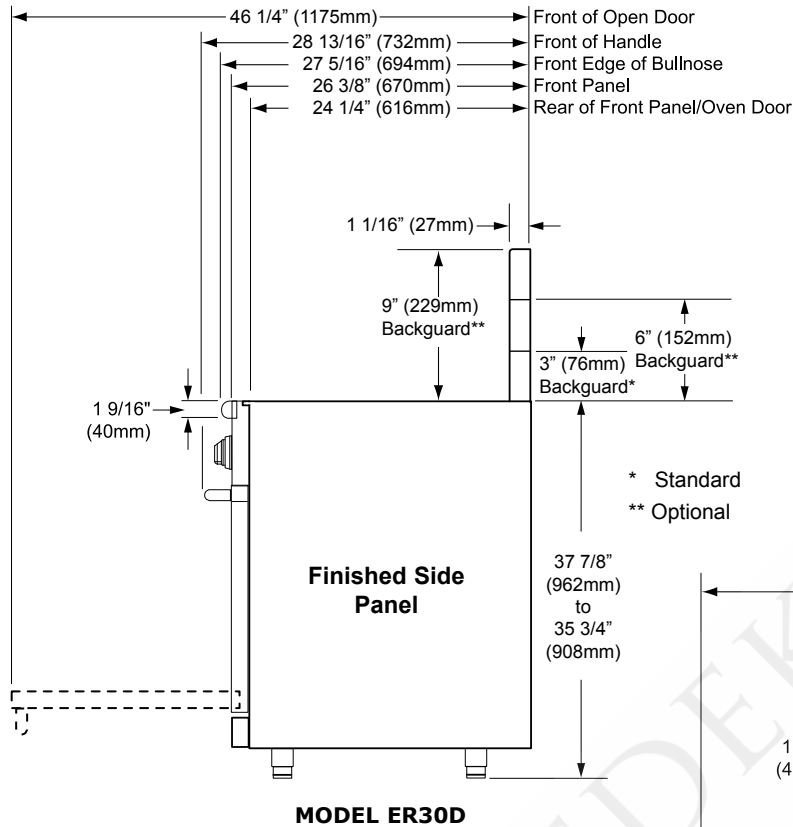
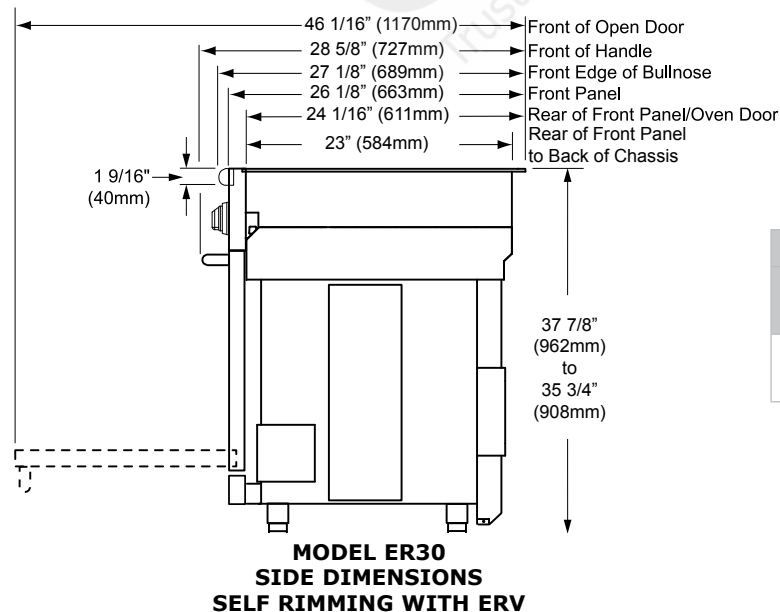
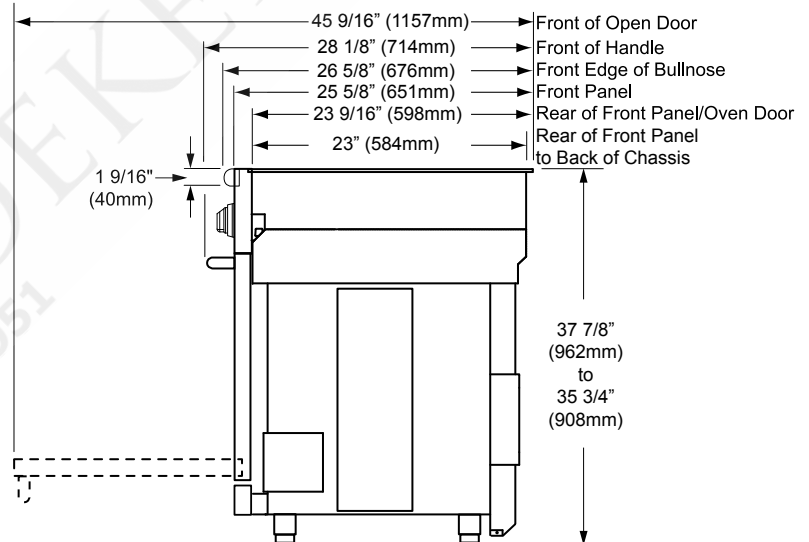


ER30D/ER30DSR



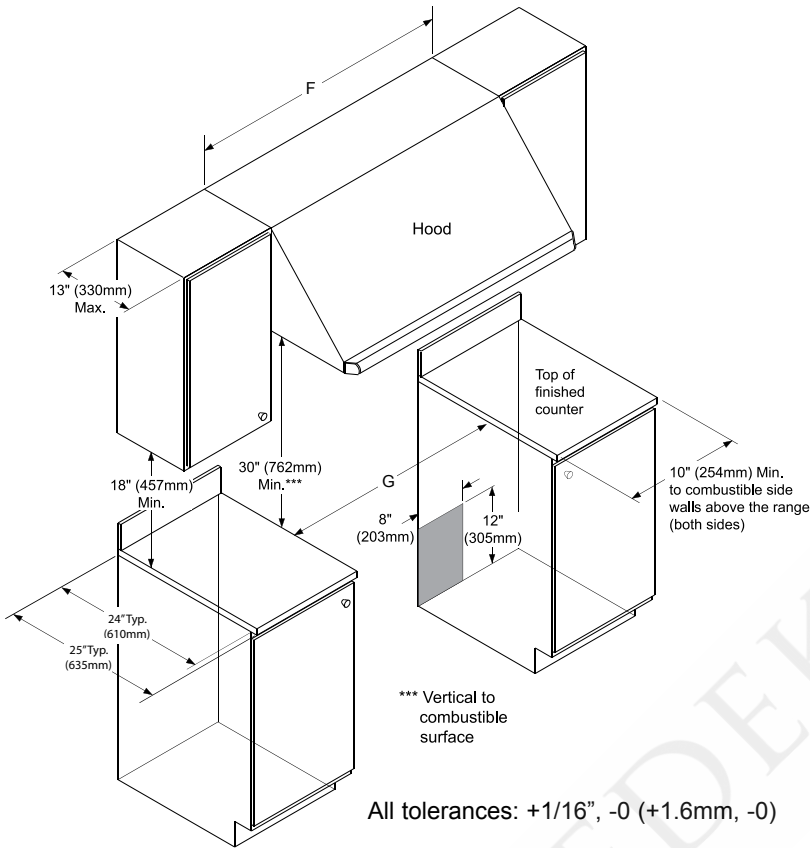
All tolerances: +1/16", -0 (+1.6mm, -0)



ELECTRIC CIRCUIT REQUIREMENTS		
Range Model	Circuit Required	Total Connected Load
ER30D/ER30DSR	240VAC, 60Hz, 30A	5.6kW (23A)

The ratings above are for reference only - refer to the range rating label

ER30D/ER30DSR



All tolerances: +1/16", -0 (+1.6mm, -0)

CABINET CUT-OUT DIMENSIONS

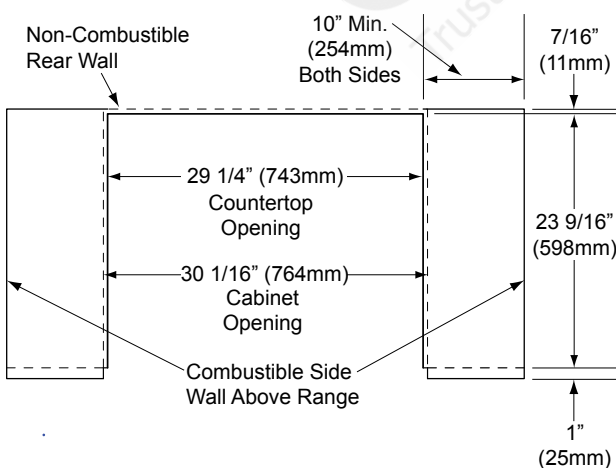
CUT-OUT DIMENSIONS	
"F"	"G"
36" (914mm)*	30 1/16" (916mm)*
30" (762mm)**	
* Recommended	
** Minimum	

Gas and Electrical Service

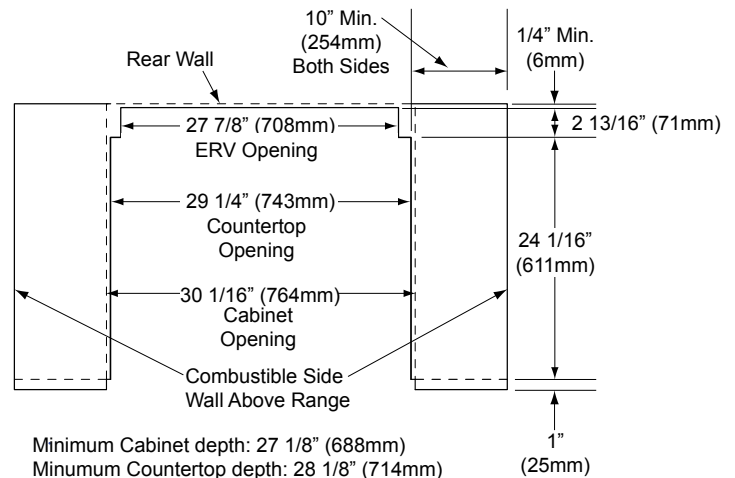
- ◇ The shaded area shown denotes the location of the gas inlet and the electrical junction box/receptacle. This is the recommended location. For replacement purposes, the location of the existing utilities may be utilized provided they do not interfere with the sides or rear of the range. Check local building codes for permissible gas valve locations.
- ◇ An external manual shut-off valve must be installed between the gas inlet and the range, for the purpose of turning on or shutting off gas to the appliance.

The installation must allow for the following:

- ◇ Access to the gas shut-off valve when the unit is installed.
- ◇ Access to the remote circuit breaker panel/fuse box, when the range is in place.
- ◇ The gas supply piping and shut-off valve, and the electrical junction box/receptacle must be located so they do not interfere with the range when it is installed.
- ◇ The junction box and gas shut off valve must be located so that the range can be pulled out for service while the appliance remains connected.

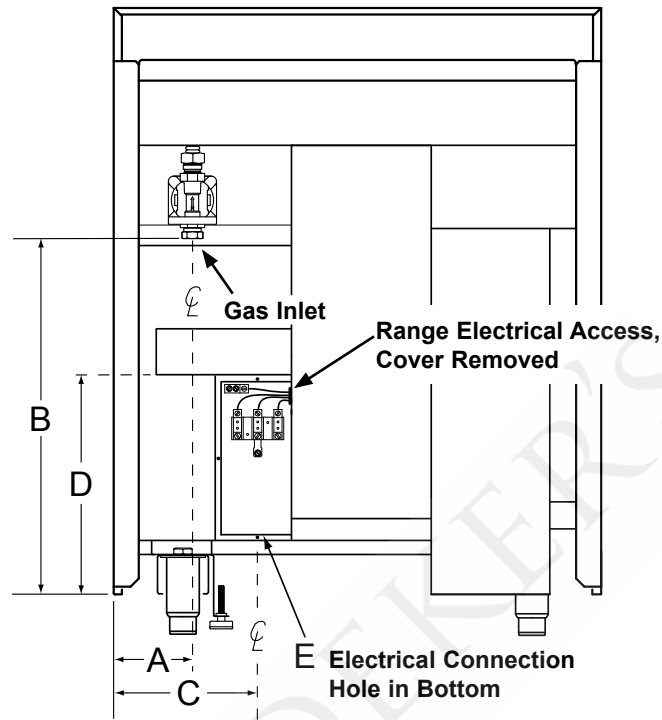


**CABINET CUT-OUT DIMENSIONS
SELF RIMMING INSTALLATION**



**CABINET CUT-OUT DIMENSIONS
SELF RIMMING INSTALLATION
WITH ERV RAISED VENT**

ER30D/ER30DSR



BACK OF RANGE

GAS - ELECTRICAL ACCESS DIMENSIONS				
"A"	"B"	"C"	"D"	"E"
4 7/8"	21 3/4"	8 5/8"	10 3/16"	7/8"*
(124mm)	(552mm)	(219mm)	(259mm)	(22mm)

* The hole size can be increased to 1 1/8" by removing the conduit bracket inside the range electrical access box.

GAS SUPPLY PRESSURE REQUIREMENTS		
Gas Type	Manifold Pressure	Minimum Gas Supply Pressure
Natural Gas	5" Water Column	6" Water Column
Petroleum (LP)	10" Water Column	11" Water Column