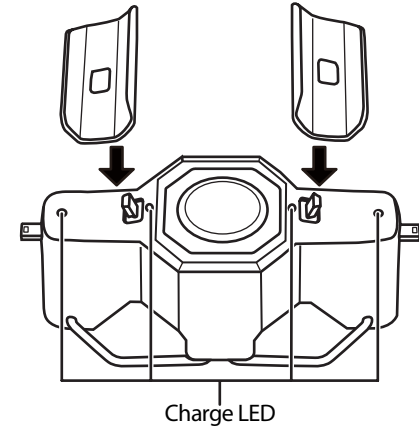


Congratulations on your purchase of the Rocketfish RF-GPS3008 PS3 quad charger. Dock your controllers and plug the charger into any AC power outlet and charge up to four PS3 controllers simultaneously.

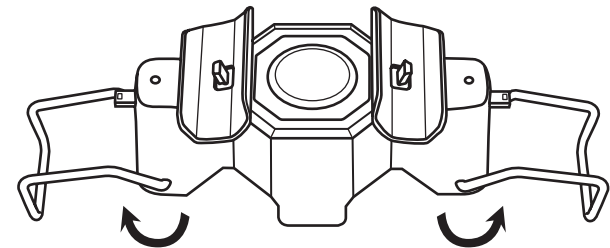
1 Place the support pads over the support pad posts, then insert tabs until they firmly click into place.

Package contents

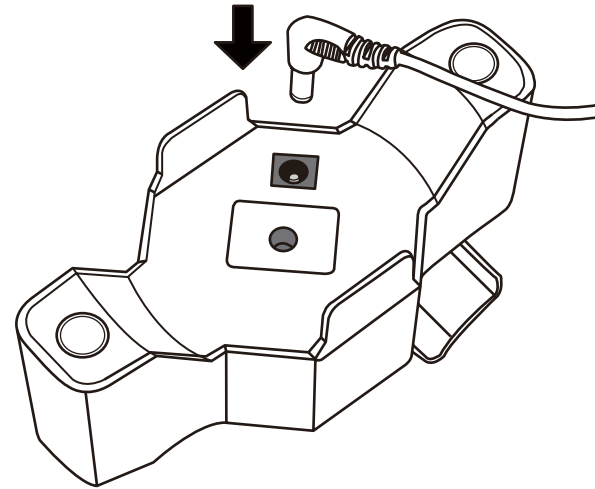
- Charge base
- Support pads (2)
- AC adapter



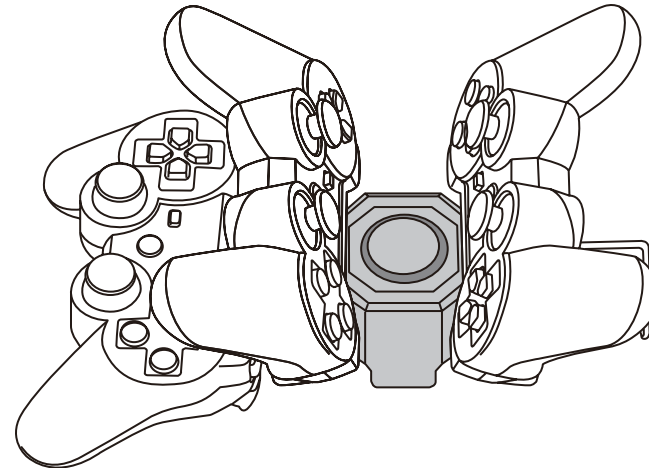
2 Extend the two stands.



3 Plug the AC adapter into the jack on the bottom of the charger, then plug the other end of the adapter into a power outlet. The green power indicator on the AC adapter lights.



4 To charge your controllers, insert the PS3 controller top down, making sure to align the mini USB port on the PS3 controller with the USB plug on the docking station.



Specifications

- Input 110V 60 Hz 0.2A
- Maximum output 5V 1200 mA

FCC Part 15

This device complies with Part 15 of the FCC Rules. Operation of this product is subject to the following two conditions: (1) this device may not cause harmful interference, and (2) this device must accept any interference received, including interference that may cause undesired operation.

Canada ICES-003 statement

This Class B digital apparatus complies with Canadian ICES-003.

90-day limited warranty

Visit www.rocketfishproducts.com for details.

Contact Rocketfish:

For customer service, call 1-800-620-2790

www.rocketfishproducts.com

Distributed by Best Buy Purchasing, LLC

7601 Penn Avenue South, Richfield, Minnesota, U.S.A. 55423-3645

© 2009 Best Buy Enterprise Services, Inc.

All rights reserved. ROCKETFISH is a trademark of Best Buy Enterprise Services, Inc. Registered in some countries. All other products and brand names are trademarks of their respective owners.