



# Nilfisk P 130.1/150.1/160.1 Nilfisk P 130.1/150.1/160.1 X-TRA



(EN) User Manual



# We congratulate you on your new Nilfisk High Pressure Washer

We are confident that the new high pressure washer of Nilfisk will justify your expectations of quick and effective cleaning. Now you have a cleaning device which will facilitate your future cleaning tasks and make them more effective. Many tasks which were previously difficult, can now be solved in a few minutes and with a much better result.

If, contrary to expectations, problems should arise which cannot be remedied by means of the information in section 8.0, the Nilfisk service organization will be at your disposal.

Nilfisk is a global concern with a comprehensive knowledge within development and manufacturing of efficient and environmentally friendly cleaning solutions. Our product range comprises cleaning solutions for selected customer groups - from machines for domestic use to big industrial cleaning systems.

The expertise of Nilfisk is cleaning focusing the need of the customer. Our wish is that you as a customer should feel quite confident that the cleaning equipment you buy from us is the most efficient and that it fulfils all of your expectations.

Best regards

**Nilfisk**

**Division of Nilfisk-Advance A/S**

## Fields of application EN

The applications for this product are domestic cleaning jobs:

*Car, motorbike, boat, caravan, trailer, patio/drive/flagstones, woodwork, brickwork, barbecue, garden furniture etc.*

## Contents EN

1.0	Preparation .....	4
2.0	Operating instructions .....	5
3.0	Accessories .....	7
4.0	Maintenance .....	8
5.0	Storage .....	8
6.0	Recycling the washer .....	8
7.0	Questions - and answers .....	8
8.0	Trouble shooting guide .....	9
9.0	Warranty .....	10

## Model survey (P 12 476)

1. Electric cable
2. Start-/stop switch
3. Connection for high pressure hose (only PRO 130/150/160)
4. Connection for water (with filter)
5. High pressure hose
6. Spray gun with trigger (6a) and locking device (6b)
7. Spray lance with bayonet socket
8. TORNADO® PR nozzle
9. POWERSPEED® nozzle
10. Needle for cleaning of nozzle
11. Detachable container for detergents
12. Dosing regulator for detergents
13. Pressure gauge (not available on model B)
14. Regulation of pressure / water volume (not available on model B)
15. Hose reel (only PRO 130/150/160 X-TRA)
16. Hose storage (only PRO 130/150/160)

**Specifications:** See model tag of machine.

Sound pressure level measured in accordance with ISO 3744, EEC Directive 2000/14/EEC:

P 130.1:  $L_{pA} = 80$  dB(A),  $L_{WA} = 90$  dB(A).

P 150.1:  $L_{pA} = 80$  dB(A),  $L_{WA} = 93$  dB(A).

P 160.1:  $L_{pA} = 80$  dB(A),  $L_{WA} = 95$  dB(A).

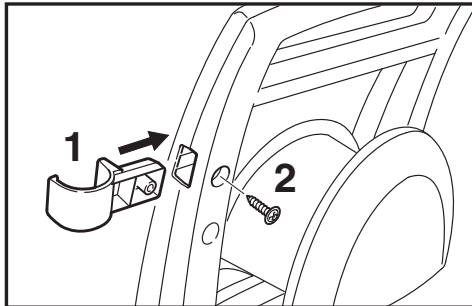
Hand/arm vibrations measured according to ISO 5349 is  $< 2.5$  m/s<sup>2</sup>.

We reserve the right to alter the specifications.

Before starting up your high pressure washer, we advise you to carefully read through this instruction manual. Follow all instructions to minimize the risk of injuries when using the machine.

## Prior to operation

Before you start up your new machine for the first time, you must mount the holder for the spray lance. It is fixed at the top of the transport handle.



1. Insert the holder in the recess of the handle (see illu.).
2. Fix the holder with the screw.

Mount water filter and water inlet connection (4).

*PRO 130/150/160 X-TRA:* Mount the handle for the hose reel.

Before starting up your machine please check it carefully for any defects. If you find any, do not start up your machine and contact your Nilfisk distributor.

### *Especially check:*

- The insulation of the electric cable should be faultless and without any cracks. If the electric cable is damaged, it should be replaced by an authorized Nilfisk distributor.

## Mains power connection

The following should be observed when connecting the high pressure washer to the electric installation:

- Only connect the machine to an installation with earth connection.
- The electric installation shall be made by a certified electrician.
- It is strongly recommended that the electric supply to this machine should include a residual current device (GFCI).

## Extension cable

Extension cables should be of a watertight construction and comply with the below-mentioned requirements for length and cable dimensions.

1,5 mm <sup>2</sup>	max	20	m
2,5 mm <sup>2</sup>	max	30	m

- Cable connections should be kept dry and off the ground.
- Always uncoil the extension cable completely to avoid heat damage to the cable.

## Water connection

Connect the high pressure washer by means of a water hose to the water tap (pressure of inlet water, max. 10 bar - temperature of inlet water, max. 60°C). You may use an ordinary ½" garden hose of **min. 10 m** and **max. 25 m**. Attach the hose using a quick connector. **NOTE:** Connection to the public mains according to regulations.



This high pressure washer is only allowed to be connected with the drinking water mains, when an appropriate backflow preventer has been installed, Type BA according to EN 1717. The backflow preventer can be ordered under number 106411177. The length of the hose between the backflow preventer and the high pressure washer must be at least 10 metres to absorb possible pressure peaks (min diameter ½ inch). Operation by suction (for example from a rainwater vessel) is carried out without backflow preventer. Recommended suction set: 126411387. As soon as water has flown through the BA valve, this water is not considered to be drinking water any more.

**IMPORTANT! Only use water without any impurities.** If there is a risk of running sand in the inlet water (i.e. from your own well), a filter should be mounted.

## Safety precautions

- **WARNING!** High pressure jets can be dangerous. Never direct the water jet at persons, pets, live electrical equipment or the machine itself.
- The operator and anyone in the immediate vicinity of the site of cleaning should take action to protect themselves from being struck by debris dislodged during operation. Wear goggles during operation.



## Preparation EN

- Never try to clean clothes or footwear on yourself or other persons.
- Do not let children or people who have not read the instruction manual operate the machine.
- Never use the machine in an environment where there could be a danger of explosion. If any doubt arises, please contact the local authorities.
- It is not allowed to clean asbestos-containing surfaces with high pressure.

### Safety devices

#### Locking device on spray gun

The spray gun features a locking device (6b). When the pawl is activated, the spray gun cannot be operated.

#### Thermal sensor:

A thermal sensor protects the motor against overloading. The machine will restart after a few minutes when the thermal sensor has cooled.

#### Pressure safety device

An integrated hydraulic safety valve protects the system from excessive pressure

## 2.0 Operating Instructions

### 2.1 Operating facilities

- Start-/stop rotary switch (2).
- Spray gun (6) with trigger (6a) and locking device (6b).
- Dosing regulator for detergents (12).
- Regulation of pressure / water volume (14). (not available on model B)

### 2.2 Connection

1. *PRO 130/150/160*: Attach the high pressure hose (5) to the connection for high pressure hose (3). Only use one extension hose of max. 7 m.  
*PRO 130/150/160 X-TRA*: Unwind the high pressure hose completely.
2. Attach the nipple of the high pressure hose to the spray gun quick coupling.
3. Mount the nozzle or any other equipment you want to use.
4. Connect the machine to the water and power supplies.

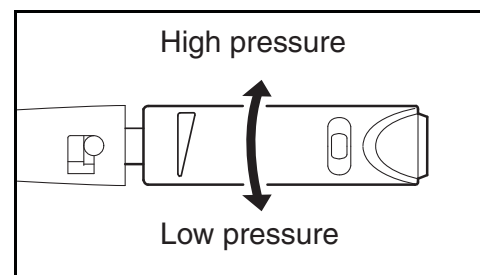
## Operating Instructions EN

### 2.3 Start

1. Check that the machine is in vertical position.
2. Activate the trigger of the spray gun (6a) and let the water run out until any air has escaped from the inlet hose.
3. Turn the start/stop switch (2) to pos. I.

### 2.4 Operation

1. **Always hold the spray lance firmly with both hands!** The spray lance is affected by a longitudinal thrust of up to 16.4 N when the high pressure washer is operated.
2. **Point the nozzle at the ground!**
3. Activate the trigger of the spray gun (6a).
4. Always adjust the distance and thus the pressure of the nozzle to the surface which is to be cleaned. **NOTE:** The pressure can be regulated on the TORNADO® PR nozzle or the button for regulation of pressure / water volume (14).



**NOTE:** Do not cover the machine during operation. If the machine is left or not used for 5 minutes, it must be switched off on the start/stop switch (2) pos. O.

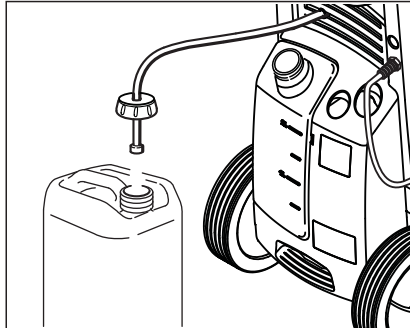
### Operation with detergents

Application of detergents is **NOT** possible if an extension hose is applied.

1. Fill the container with a detergent.
2. Mount the TORNADO® PR nozzle and adjust it to low pressure (see section 2.4.4).
3. Adjust the dosing regulator (12) to the required volume of detergent (0-5%).
4. Apply the detergent from below and upwards.
5. Let the detergent act for the time stated on the packing of the detergent and flush with pure water.

## Separate detergent container

1. Remove the cover with suction hose from the detergent container.
2. Mount the cover with suction hose on the separate detergent container.



The cover has a standard thread and fits common detergent containers. If your container does not have a standard thread, detach the filter from the suction hose and remove the cover. Remount the filter in the suction hose.

Extra detergent hose can be pulled out of the machine.

## 2.5 Regulation of pressure / water volume

This function is not available on model B.

Working pressure and water volume can be regulated on the machine by turning the button for regulation of pressure / water volume (14). The pressure can be read on the pressure gauge (13).

## 2.6 Suction mode

The machine can take in water from a rain water butt as an example. In the suction mode, the inlet hose must be filled with water before starting up the machine. The water inlet hose must not be too long, approx. 5 m.

1. Make sure that the water butt is not placed on a lower level than the machine.
2. Attach the water inlet hose to the machine and place the other end of it in the water butt.
3. Start the machine.
4. Detach the spray lance and activate the trigger of the spray lance. Keep the trigger activated until water has come out for approx. 15 seconds.
5. Remount the spray lance and the machine is ready for operation.

**NOTE:** The internal filter of the machine is not intended for the filtration of large quantities of impurities. If the water contains leaves, sand or the

like, an external suction filter should be mounted. For further information, please contact your nearest Nilfisk distributor.

## 2.7 End of operation

1. Stop the machine by turning the start/stop switch (2) to pos. **O**.
2. Disconnect the plug from the socket.
3. Shut off the water supply and activate the trigger (6a) to relieve the machine of pressure.

Concerning storage, please refer to section 5.0.

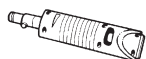
## Standard Equipment

Only use original accessories.

### Nozzles

Attached with the bayonet coupling system. Stored on the machine.

#### Tornado® PR (8)



Universal adjustable nozzle.

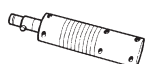
*Turn to the left:*

high pressure.

*Turn to the right:*

low pressure.

#### Powerspeed® (9)



Nozzle with rotating jet for stubborn dirt on hard surfaces.

## Extra Equipment

### Extension hose

7 m extension hose increasing the working range.

### Brushes



For cars and other surfaces. Available in more shapes.



### Tube cleaner

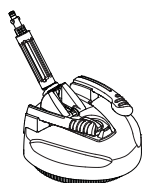
15 m long tube cleaner for the cleaning of tubes and drains.

### Water-sand-blasting equipment

For removal of paint and rust. Sand available from do-it-yourself shops.

### Patio Plus

Equipment for quick and regular cleaning of horizontal (tiles etc.) and vertical surfaces.



### Garden brush



Rotating brush for cleaning of wooden surfaces.

### Rim brush

Rotating brush for cleaning of wheel rims.



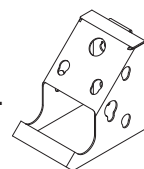
### Underchassis spray lance



Special spray lance for underchassis cleaning.

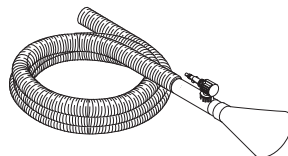
### Wall hook

For suspension of your high pressure washer on the wall.



### Water suction kit

For removal of large amounts of water from e.g. garden ponds.



## Detergents

Only use original accessories.

### Stone & Wood Cleaner

For flagstones, brick- and woodwork. Suitable for moss and algae.

### Plastic Cleaner

For plastic and synthetic materials such as garden furniture.

### Metal Cleaner

For cleaning of metal such as garden tools.

### Car Combi Cleaner

For cars etc. With rinsing wax.

### Alu Cleaner

For surfaces of aluminium. Applied with an atomizer.

### Oil & Grease Cleaner

For cleaning of grease and oil on motors for instance. Applied with an atomizer.

### Wood Cleaner

For cleaning of wooden surfaces incl. of wooden garden furniture.

## 4.0 Maintenance

EN

**WARNING!** Always disconnect the plug from the socket prior to maintenance or cleaning.

To ensure a long and problem free working life, please take the following advice:

- Wash out water hose, high pressure hose, spray lance and accessories before mounting.
- Clean the couplings of dust and sand.

Any repair should always be made in an authorised workshop with original spare parts.

### 4.1 Cleaning of nozzle

A clogging up in the nozzle causes a lower water volume. This is why cleaning is required immediately.

1. Stop the machine and disconnect the nozzle.
2. Clean the nozzle with the cleaning needle (10).  
**IMPORTANT:** The needle should only be used when the spray lance is detached!
3. Flush the spray lance backwards with water.

### 4.2 Cleaning of water inlet filter

Clean the water inlet filter regularly once a month or more frequently according to use.

1. Detach water inlet hose and coupling (4).
2. Pull out the filter and rinse it carefully.
3. Check that it is intact before re-mounting it.

## 5.0 Storage

EN

**The machine should be stored in a frost-free room!**

Pump, hose and accessories should always be emptied of water prior to storing as follows:

1. Stop the machine (rotary switch (2) in pos. **O**) and detach water hose and accessory.
2. Restart the machine and activate the trigger. Let the machine run until no more water runs through the spray gun.
3. Stop the machine and unplug. Wind the electric cable round the hooks placed on the side of the machine.
4. Separate spray gun and high pressure hose.
5. *PRO 130/150/160:* Detach high pressure hose, coil it up and place it on the hose storage.  
*PRO 130/150/160 X-TRA:* Coil the high pressure hose up on the hose reel.
6. Place spray gun, nozzles and other accessories in the holders of the machine.

Should the machine by mistake be frozen, it will be necessary to check it for damage.

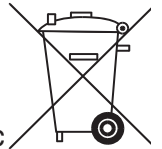
**NEVER START-UP A FROZEN MACHINE.**

**Frost damages are not covered by the guarantee!**

## 6.0 Recycling the washer

Make the old cleaner unusable immediately.

1. Unplug the cleaner and cut the electric cable.



Do not discard electrical appliances with household waste.

As specified in European Directive 2002/96/EC on old electrical and electronic appliances, used electrical goods must be collected separately and recycled ecologically.

Contact your local authorities or your nearest dealer for further information.

## 7.0 Questions and answers

Why do I have to use an atomizer for some detergents?

*Some detergents (except from soaps) must be applied undiluted. For that purpose an atomizer or maybe a brush is unique.*

Why must the high pressure washer be stored in a frost free room?

*The machine may contain water which, when freezing, may damage vital parts.*

How do I store my high pressure washer in the best possible way?

*Always empty the high pressure washer of water by activating the trigger of the spray gun - after having disconnected the water supply. Always detach the high pressure hose (only PRO 130/150/160) and coil it up without bending it.*

May I use an ordinary detergent in my high pressure washer?

*No. You may damage the cleaner and achieve a bad result. The detergents of Nilfisk have been specially developed for use with a high pressure washer and ensures a correct dosage and a quick effect.*

Can I do anything special to keep my high pressure washer in a good condition?

*Yes, beyond cleaning it carefully before set aside, it will be a good idea to lubricate the couplings now and then with grease or vaseline.*



## 8.0 Trouble shooting guide

EN

To avoid unnecessary disappointments, you should check the following before contacting the Nilfisk service organisation:

Symptom	Cause	Recommended action
<b>Machine refuses to start</b>	Machine not plugged in Defective socket Fuse has blown Defective extension cable	Plug in machine. Try another socket. Replace fuse. Switch off other machines. Try without the extension cable.
<b>Machine stops</b>	Fuse has blown Incorrect mains voltage  Thermal sensor activated	Replace fuse. Switch off other machines. Check that the mains voltage corresponds to specification on the model tag. Wait - the machine will start after a few minutes. <b>WARNING!</b> The trigger of the spray gun must not be activated.
<b>Fuse blows</b>	Fuse too small	Change to an installation higher than the amp. consumption of the machine. You may try without the extension cable.
<b>Machine pulsating</b>	Air in inlet hose/pump  Inadequate supply of mains water  Nozzle partially blocked Water filter blocked Hose kinked High pressure hoses too long	Allow machine to run with open trigger until regular working pressure resumes. Check that the water supply corresponds to specifications required (see model tag) <b>NB!</b> Avoid using long, thin hoses (min 1/2") Clean the nozzle (see section 4.1) Clean the filter (see section 4.2) Straighten out hose. Disconnect high pressure extension hoses and retry. (Extension hose max. 7 m).
<b>Machine often starts and stops by itself</b>	Pump/spray gun is leaking	Contact your nearest Nilfisk Service Centre.
<b>Machine starts, but no water comes out</b>	Pump/hoses or accessory frozen No water supply Water filter blocked Nozzle blocked	Wait for pump/hoses or accessory to thaw.  Connect inlet water. Clean the filter (see section 4.2) Clean the nozzle (see section 4.1)
<b>Pump pressure drops</b>	Button for regulation of pressure / water volume not correctly adjusted (not available on model B)	Adjust the button to correct working pressure.

In case problems other than the above occur, please contact your local Nilfisk distributor.

**UK:**  
Customer Services at Penrith - 01768 868995

Nilfisk guarantees high pressure washers for domestic use for 2 years. If your high pressure washer or accessories are handed in for repair, a copy of the receipt must be enclosed.

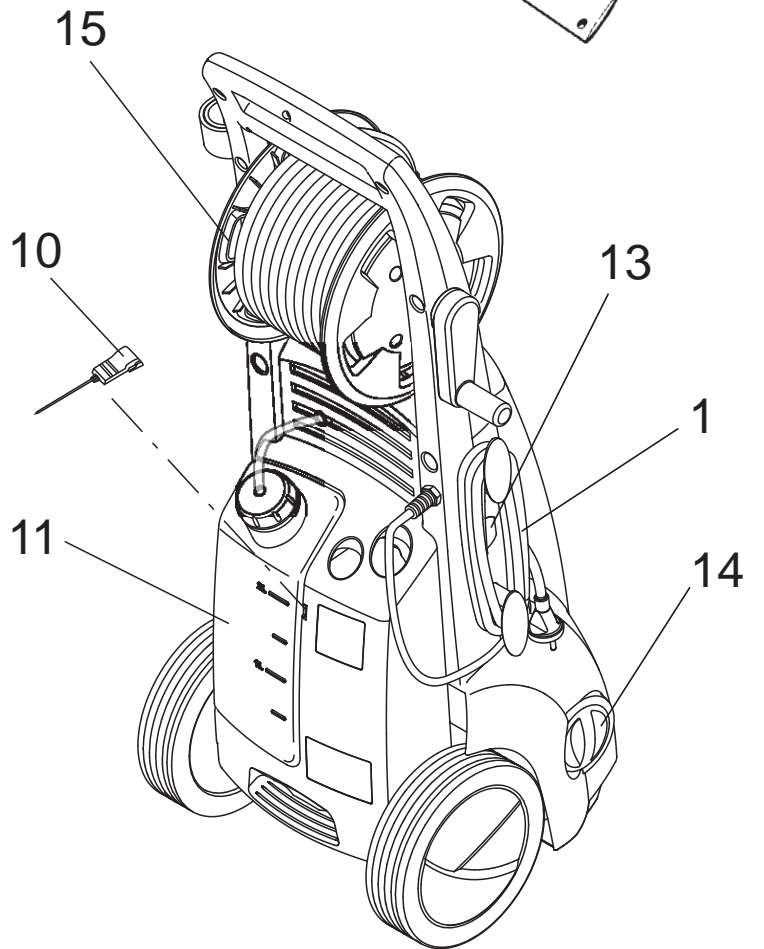
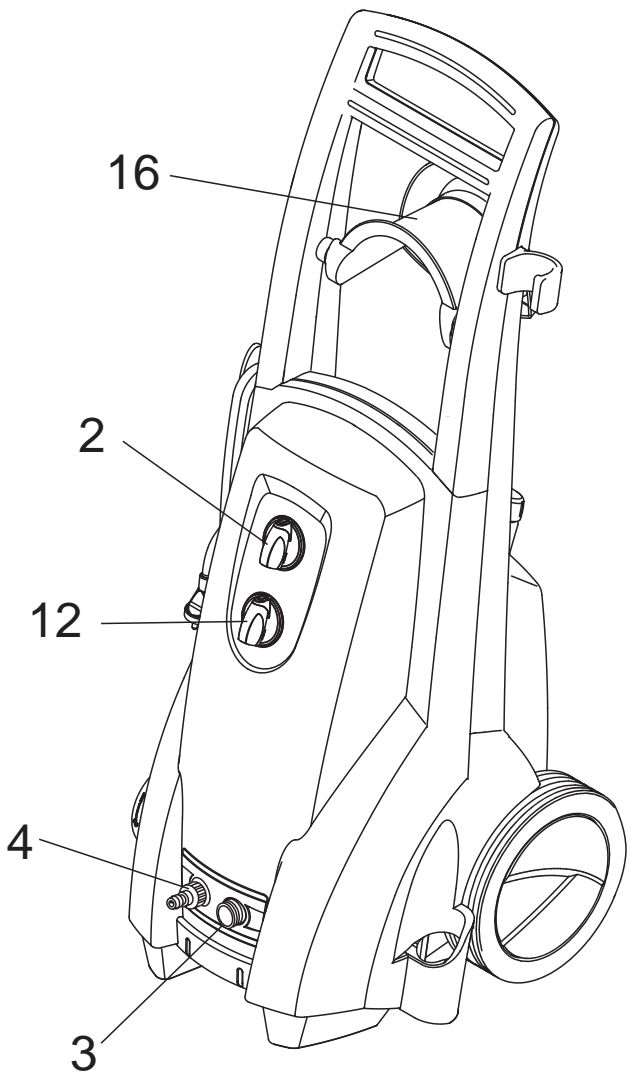
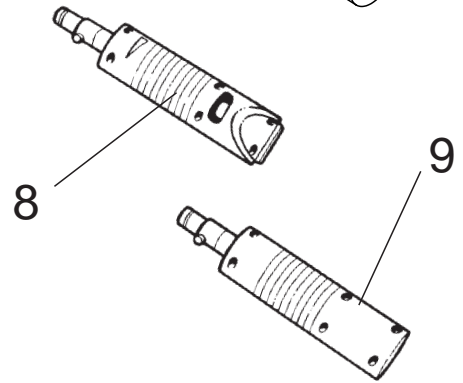
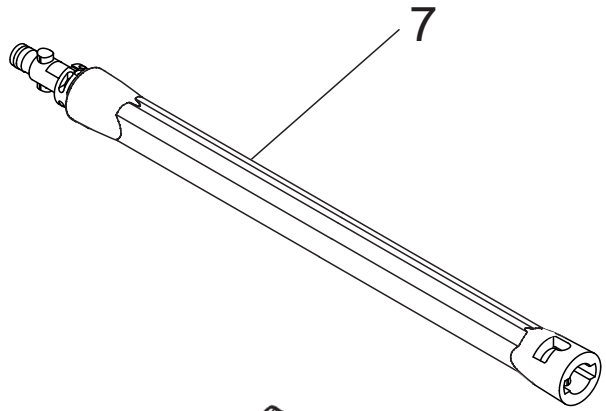
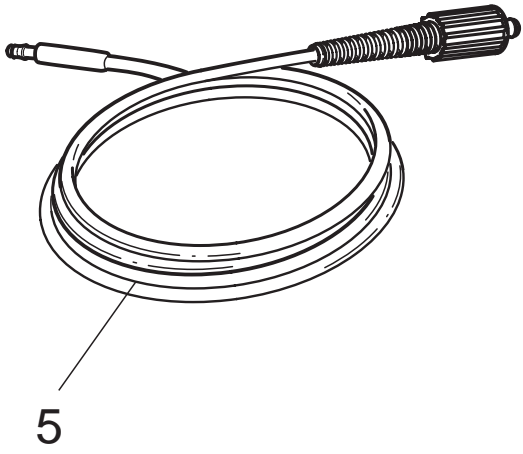
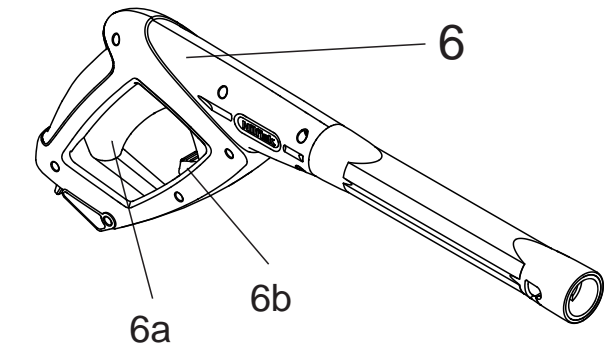
Guarantee repairs are being made on the following conditions:

- that defects are attributable to flaws or defects in materials or workmanship. (wear and tear as well as misuse are not covered by the guarantee).
- that the directions of this instruction manual have been thoroughly observed.
- that repair has not been carried out or attempted by other than Nilfisk-trained service staff.
- that only original accessories have been applied.
- that the product has not been exposed to abuse such as knocks, bumps or frost.
- that only water without any impurities has been used.
- that the high pressure washer has not been used for rental nor used commercially in any other way.

Repairs under this guarantee include replacement of defective parts, exclusive of packing and postage/carriage. Besides, we refer to your national law of sale.

The machine should be forwarded to one of the service centres of the Nilfisk organisation with description/specification of the fault.

Repairs not covered by the guarantee conditions will be invoiced. (I.e. malfunctions due to **Possible Causes** mentioned in section **Troubleshooting Chart** of the instruction manual).



<http://www.nilfisk-advance.com>

## HEAD QUARTER

### DENMARK

Nilfisk-Advance Group  
Sognevej 25  
DK-2605 Brøndby  
Tel.: (+45) 4323 8100  
E-mail: [mail.com@nilfisk-advance.com](mailto:mail.com@nilfisk-advance.com)

## SALES COMPANIES

### ARGENTINA

Nilfisk-Advance srl.  
Edificio Central Park  
Herrera 1855, Office 604  
Ciudad Autónoma de Buenos Aires  
Tel.: (+54) 11 6091 1571

### AUSTRALIA

Nilfisk-Advance  
48 Egerton St.  
P.O. Box 6046  
Silverwater, N.S.W. 2128  
Tel.: +61 2 8748 5900  
E-mail: [info@nilfisk-advance.com.au](mailto:info@nilfisk-advance.com.au)

### AUSTRIA

Nilfisk-Advance GmbH  
Metzgerstrasse 68  
5101 Bergheim bei Salzburg  
Tel.: 0662 456 400-14  
E-mail: [info.at@nilfisk-advance.com](mailto:info.at@nilfisk-advance.com)

### BELGIUM

Nilfisk-Advance n.v.-s.a.  
Riverside Business Park  
Boulevard Internationelelaan 55  
Bâtiment C3/C4 Gebouw  
Bruxelles 1070  
Tel.: (+32) 2 467 60 50  
E-mail: [info.be@nilfisk-advance.com](mailto:info.be@nilfisk-advance.com)

### CANADA

Nilfisk-Advance  
240 Superior Boulevard  
Mississauga, Ontario L5T 2L2  
Tel.: (+1) 905 564 1149  
E-mail: [info@advance.ca.com](mailto:info@advance.ca.com)

### CHILE

Nilfisk-Advance de Chile  
San Alfonso 1462  
Santiago  
Tel.: (+56) 2 684 5000  
E-mail: [Pablo.Noriega@nilfisk-advance.com](mailto:Pablo.Noriega@nilfisk-advance.com)

### CHINA

Nilfisk-Advance (Suzhou)  
Building 18, Suchun Industrial Estate  
Suzhou Industrial Park  
215021 Suzhou  
Tel.: (+86) 512 6265 2525

### CZECH REPUBLIC

Nilfisk-Advance  
VGP Park Horní Počernice  
Do Čertous 1/2658  
193 00 Praha 9  
Tel.: (+420) 24 14 08 419

### DENMARK

Nilfisk-Advance A/S  
Industrivej 1  
9560 Hadsund  
Tel.: +45 7218 2100  
E-mail: [salg.dk@nilfisk-advance.com](mailto:salg.dk@nilfisk-advance.com)

### FINLAND

Nilfisk-Advance Oy Ab  
Piispantilankuja 4  
02240 Espoo  
Tel.: +358 207 890 600  
E-mail: [asiakaspalvelu.fi@nilfisk.com](mailto:asiakaspalvelu.fi@nilfisk.com)

### FRANCE

Nilfisk-Advance  
26 Avenue de la Baltique  
Villebon sur Yvette  
91944 Courtabouef Cedex  
Tel.: (+33) 1 69 59 87 00  
E-mail: [info.fr@nilfisk-advance.com](mailto:info.fr@nilfisk-advance.com)

### GERMANY

Nilfisk-ALTO  
Division of Nilfisk-Advance AG  
Guido-Oberdorfer-Str. 10  
89287 Bellenberg  
Tel.: (+49) 180 5 37 37 37  
E-mail: [info.de@nilfisk-alto.com](mailto:info.de@nilfisk-alto.com)

### GREECE

Nilfisk-Advance SA  
8, Thoukididou str.  
164 52 Argiroupolis  
Tel.: +30 210 911 9600  
E-mail: [nilfisk-advance@clean.gr](mailto:nilfisk-advance@clean.gr)

### HOLLAND

Nilfisk-Advance  
Versterkerstraat 5  
1322 AN Almere  
Tel.: (+31) 36 546 07 00  
E-mail: [info.nl@nilfisk-advance.com](mailto:info.nl@nilfisk-advance.com)

### HONG KONG

Nilfisk-Advance Ltd.  
Room 2001 HK Worsted Mills  
Industrial Building  
31-39 Wo Tong Tsui Street  
Kwai Chung  
Tel.: (+852) 24 27 59 51

### HUNGARY

Nilfisk-Advance Kereskedelmi Kft.  
II. Rákóczi Ferenc út 10  
2310 Szigetszentmiklos-Lakihegy  
Tel: (+36) 24475 550  
E-mail: [info@nilfisk-advance.hu](mailto:info@nilfisk-advance.hu)

### INDIA

Nilfisk-Advance India Limited  
349, Business Point,  
No 201,2nd floor, above Popular Car World,  
Western Express High way, Andheri ( East),  
Mumbai - 400 069  
Tel.: (+91) 223 2174592

### IRELAND

Nilfisk-Advance  
1 Stokes Place  
St. Stephen's Green  
Dublin 2  
Tel.: (+35) 3 12 94 38 38

### ITALY

Nilfisk-Advance SpA  
Strada Comunale della Braglia, 18  
26862 Guardamiglio (LO)  
Tel.: +39 0377 41 40 46  
E-mail: [mercato.italia@nilfisk-advance.it](mailto:mercato.italia@nilfisk-advance.it)

### JAPAN

Nilfisk-Advance Inc.  
1-6-6 Kita-shinyokohama, Kouhoku-ku  
Yokohama, 223-0059  
Tel.: (+81) 45 548 2571

### KOREA

Nilfisk-Advance  
Kumwon B/D 3F, 471-4, Gunja-Dong  
Gwangjin-Ku  
Tel.: (+82) 2497 8636

### MALAYSIA

Nilfisk-Advance Sdn Bhd  
Sd 14, Jalan KIP 11  
Taman Perindustrian KIP  
Sri Damansara  
52200 Kuala Lumpur  
Tel.: (+603) 62753120

### MEXICO

Nilfisk-Advance de Mexico, S. de R.L. de C.V.  
Prol. Paseo de la Reforma 61, 6-A2  
Col. Paseo de las Lomas  
01330 Mexico, D.F.  
Tel: +52 55 2591 1002 (switchboard)  
E-mail: [info@advance-mx.com](mailto:info@advance-mx.com)

### NEW ZEALAND

Nilfisk-Advance  
Danish House  
6 Rockridge Avenue  
Penrose, Auckland 1135  
Tel.: (+64) 95 25 00 92

### NORWAY

Nilfisk-Advance AS  
Bjørnerudveien 24  
1266 Oslo  
Tel.: (+47) 22 75 17 70  
E-mail: [info.no@nilfisk.com](mailto:info.no@nilfisk.com)

### POLAND

Nilfisk-Advance Sp. Z.O.O.  
05-800 Pruszków  
ul. 3-go MAJA 8  
Tel.: +48 22 738 37 50

### PORTUGAL

Nilfisk-Advance  
Sintra Business Park  
Zona Industrial Da Abrunheira  
Edificio 1, 1º A  
P2710-089 Sintra  
Tel.: +35 121 911 2670  
E-mail: [mkt.pt@nilfisk-advance.com](mailto:mkt.pt@nilfisk-advance.com)

### RUSSIA

Нилфиск-Эдванс  
127015 Москва  
Вятская ул. 27, стр. 7  
Россия  
Tel.: (+7) 495 783 96 02  
E-mail: [info@nilfisk.ru](mailto:info@nilfisk.ru)

### SINGAPORE

Nilfisk-Advance Pte. Ltd.  
40 Loyang Drive  
Singapore 508961  
Tel.: (+65) 6759 9100

### SPAIN

Nilfisk-Advance S.A.  
Torre D'Ara  
Paseo del Rengle, 5 Pl. 10  
08302 Mataró  
Tel.: (+3) 4 93 741 2400  
E-mail: [mkt.es@nilfisk-dvance.com](mailto:mkt.es@nilfisk-dvance.com)

### SWEDEN

Nilfisk-Advance  
Sjöbjörnsvägen 5  
100 73 Stockholm  
Tel.: (+46) 85 55 944 00  
E-mail: [info.se@nilfisk.com](mailto:info.se@nilfisk.com)

### SWITZERLAND

Nilfisk-Advance  
Ringstrasse 19  
Kircheberg/Industri Stelzl  
9500 Wil  
Tel.: (+41) 719 23 84 44  
E-mail: [info.ch@nilfisk-advance.com](mailto:info.ch@nilfisk-advance.com)

### TAIWAN

Nilfisk-Advance Taiwan Branch  
1F, No. 193, sec. 2, Xing Long Rd.  
Taipei  
Tel.: (+88) 6227 002 268

### THAILAND

Nilfisk-Advance Co. Ltd.  
89 Soi Choekchai-Ruammitr  
Viphavadee-Rangsit Road  
Ladyao, Jatuchak, Bangkok 10900  
Tel.: (+66) 2 275 5630

### TURKEY

Nilfisk-Advance Profesional Temizlik  
Ekipmanlari Tic. A/S.  
Necla Cad. No. 48  
Yenisahra / Kadiköy  
Istanbul  
Tel.: (+90) 216 470 08 - 60  
E-mail: [info.tr@nilfisk-advance.com](mailto:info.tr@nilfisk-advance.com)

### UNITED KINGDOM

Nilfisk-Advance Ltd.  
Unit 24  
Hillside Business Park  
Kempson Way  
Bury St. Edmunds  
Suffolk IP32 7EA  
Tel.: (+49) 01284 763163  
E-mail: [sales.uk@nilfisk-advance.com](mailto:sales.uk@nilfisk-advance.com)

### UNITED ARAB EMIRATES

Nilfisk-Advance Middle East Branch  
SAIF-Zone  
P.O. Box 122298  
Sharjah  
Tel.: (+971) 553 2626 82

### USA

Nilfisk-Advance Inc.  
14600 21st Avenue North  
Plymouth, MN 55447-3408  
Tel.: (+1) 763 745 3500

### VIETNAM

Nilfisk-Advance Representative Office  
No. 51 Doc Ngu Str.  
Ba Dinh Dist.  
Hanoi  
Tel.: (+04) 761 5642  
E-mail: [nilfisk@vnn.vn](mailto:nilfisk@vnn.vn)