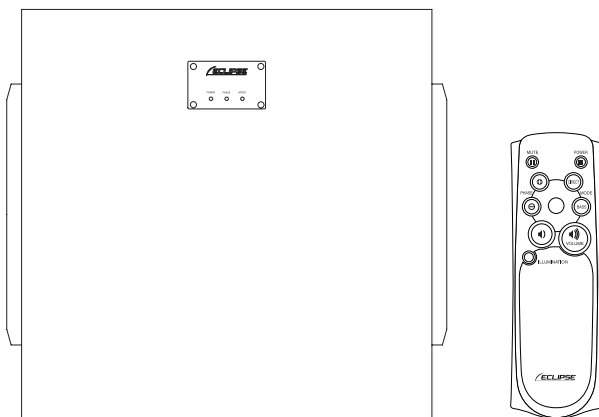




TD 725 SW

SUBWOOFER

INSTRUCTION MANUAL



Thank you for your purchase.

Please read this instruction manual carefully and use the product correctly.

Before use, be sure to read "Using the Subwoofer Safely and Correctly".

Please keep this instruction manual together with the warranty in a place where it can be accessed at any time.

FUJITSU TEN

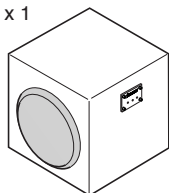
Introduction

■Contents

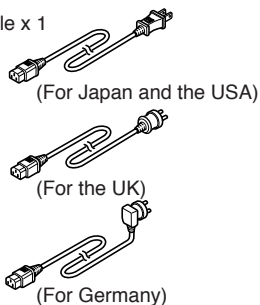
Using the Subwoofer Safely and Correctly.....	17
Precautions on Use	20
Installing the Main Unit	20
Names and Functions of Parts	21
Example Connection	25
Care and Specifications	27
Warranty and After Service	28

■Accessories

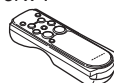
① Subwoofer x 1



② Power cable x 1



③ Remote control x 1



④ Battery for remote control (size AAA) x 2



⑤ Foot x 4



⑥ Logo sticker x 1



⑦ Instruction manual x 1

⑧ Warranty (for Japan only)

⑨ Questionnaire postcard (for Japan only)

*This product is a subwoofer system that is designed to reproduce a tight low sound range at high speed based on time domain logic.

<<What is time domain logic?>>

Time domain logic is a logic that was developed to correctly reproduce the variation over time from the point where the sound waves appear to the point where they disappear, and make the waves of the reproduced sound as faithful as possible to the original sound.

“Time domain audio systems” that enhance reproducibility using time domains following this logic have made it possible to more faithfully reproduce the orientation of sound, and fine and delicate expressions imparted to music by the performer.

Using the Subwoofer Safely and Correctly

■ Before Use

The following indications are given in this instruction manual and on the product itself to ensure that you use the product safely and correctly, and to prevent hazards posed to the customer or other people, and damage to property. Make sure you understand the information in these indications before reading the main text.



WARNING

Ignoring this indication and handling the product incorrectly may lead to death or serious injury.



CAUTION

Ignoring this indication and handling the product incorrectly may lead to injury or property damage.



WARNING

- Do not use any voltage other than that marked on the product body.
This can lead to fire, electric shock, or product failure.
- Do not open the subwoofer cabinet.
This can lead to electric shock or injury. If internal inspection, adjustment or repairs are required, please consult Fujitsu Ten.
Do not modify the product.
This can lead to fire or electric shock.
- Do not use the subwoofer in a bathroom, anywhere where it will be exposed to rain, or in an environment with high humidity.
This can lead to fire or electric shock.
- Do not place a vase, flower pot, cup, or any vessel containing cosmetics, chemicals or water on or near the subwoofer.
If water or foreign matter gets inside the subwoofer, it could lead to fire or electric shock.
- Do not use any power cable other than the one supplied with the product.
Using another power cable could lead to fire or accidents.
- Do not damage the power cable, bend it excessively, twist it, modify it, or rest the subwoofer on it. Note also that resting heavy objects on the power cable, subjecting it to heat or pulling on it could break the cable, leading to fire or electric shock.
- Do not make too many connections at the same location.
This can cause fire due to heat generation.
- If the power cable is damaged (i.e. the wire cores are exposed or broken), replace it.
Continuing to use a damaged cable can lead to fire or electric shock.
- If you notice any abnormal status, such as an abnormal noise, emission of smoke, or a strange smell, switch the power off, disconnect the cable from the power outlet, and request an inspection.
Continuing to use the product in the abnormal status could lead to fire or electric shock.
- If you drop or break the subwoofer, turn off the power switch on the equipment itself (POWER), remove the plug from the power outlet, then contact Fujitsu Ten. Continuing to use the subwoofer in this condition may lead to fire or electric shock.
- When thunder starts, for the sake of safety, promptly remove the plug from the power outlet and avoid touching the antenna wire or plug. Thunder can lead to fire, electric shock, or product failure.



CAUTION

- Do not remove the plug from the power outlet by pulling on the cable.
This can damage the cable, leading to fire or electric shock.
- Do not insert or remove the plug with wet hands.
This can lead to electric shock.
- Do not run the power cable close to hot equipment.
The insulation on the cable will melt, leading to fire or electric shock.
- If the plug fits loosely in the power outlet and there is some play, or the plug or cable gets hot, do not use the cable.
Continuing to use the cable can lead to fire or electric shock.
- Plug the power supply plug into the outlet up to the base of the pins. If it is incompletely inserted, heat will be generated and may lead to a fire when dust settles. In addition, anyone touching the pins of the plug may sustain an electric shock.
- Do not connect to a power outlet in which the power plug is loose even though it has been inserted up to the base of the pins. Heat will be generated and may lead to a fire. Request an electrician to replace the outlet.
- If dust or metal debris adheres to the pins of the power plug or close to them, take the power plug out of the outlet and remove the dust/metal with a dry cloth. Using the plug with the dust/metal present can lead to fire or electric shock.
- Do not place the subwoofer in or overhead or unstable locations, such as on a rickety stand or a platform with a slope.
The subwoofer may fall, leading to injuries or product failure.
- Do not place the subwoofer in a location where it will be exposed to oil smoke or water vapor, such as next to a kitchen work table or humidifier.
This can lead to fire or accidents.
- Do not place the subwoofer in a location where it is struck directly by a cool air stream.
This can lead to condensation, current leakage or burning.
- Do not place the subwoofer in a location where it is exposed to direct sunlight for long periods of time or close to heating equipment.
This can lead to deformation or discoloration of the cabinet, or to fire.
- Do not place the subwoofer in any extremely cold location.
This can lead to product failure or accidents.
- Do not place the subwoofer close to naked flame.
This can lead to product failure or accidents.
- Do not rest your weight on the subwoofer (by standing on it or sitting on it).
The subwoofer could topple or break, injuring you.
Take particular care about this in households with young children.
- Because it is compact and lightweight, take care when handling the remote control unit. Dropping it or subjecting it to impact can damage it or cause the battery to run down prematurely, leading to malfunctions.
- Avoid exposing the remote control unit to humidity or dust, and do not subject it to shock or allow any water onto it.



CAUTION

- If there is any radio interference due, for example, to proximity to a tuner, install the tuner and subwoofer at a greater distance from each other.
- If installing the subwoofer directly on flooring, first affix the feet provided as accessories.
- Before moving the subwoofer, first switch off the power supply to the connected device and disconnect the power supply cable, the connecting cables to each device, the speaker cables, and so on.

If you move the subwoofer with the cables connected, a cable could be damaged, leading to fire or electric shock.

- The subwoofer is heavy and must be unpacked and carried by at least two people, otherwise injuries could result.

Note also that there are some sharp angles in the construction of the subwoofer and it must therefore be handled with due care.

- Before cleaning/caring for the product, be sure to switch off the power supply and remove the power cable plug from the power outlet.

Otherwise you could sustain an electric shock or injuries.

- If you do not use the subwoofer for a long time, for example when you are on vacation, for the sake of safety always switch off the power supply and remove the power cable plug from the power outlet.

Otherwise there will be a danger of fire.

- Before connecting a TV or any other audio device, be sure to switch off the power supply, carefully read the instruction manuals of the devices involved, and make the connections in accordance with the directions in these manuals.

- Before turning on the power, make sure that the volumes of the subwoofer and the amplifier are set to minimum.

Otherwise a very loud noise could suddenly be generated, causing hearing impairment or other problems.

- If you hear an abnormal sound while the audio equipment is operating at a high volume, turn the volume down.

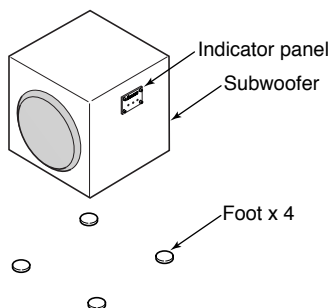
- If you continue to use the subwoofer at the high volume, or use it for a long time while it is producing distorted sound, the speaker will heat up, and this could lead to fire.

Precautions on Use

- Before turning the power on, and before switching inputs, always set the volume to minimum. A sudden large output could damage the connected speaker system.
- Depending on the location, your enjoyment of music could annoy other people. Please set the volume to a suitable level so as not to disturb the neighbors. At nighttime particularly, even a low volume of sound will travel. Please respect each other's concerns so as to maintain a comfortable living environment.
- Make sure that the power to all devices is off before connecting the subwoofer.
- If the subwoofer becomes soiled, wipe it lightly with a soft cloth moistened with a neutral detergent. Do not use thinners or benzene.

Installing the Main Unit

- Fitting the feet



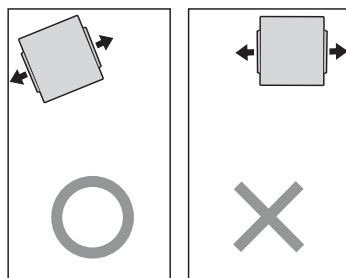
When the subwoofer is installed directly on flooring or a similar surface, fit the feet to the bottom of the subwoofer.



CAUTION

To avoid damaging the speaker or the floor, spread a soft cloth or something similar on the floor and do the work on this cloth.

- Placing the unit



- The subwoofer has a photoreceptor for the remote control on the indicator panel and the indicator panel on the unit must be oriented toward the audience.
- If the subwoofer is oriented parallel to the walls of the room, sound reflected from the walls may cancel out some of the sound it produces, so you are recommended to orient the subwoofer at an angle to the walls.

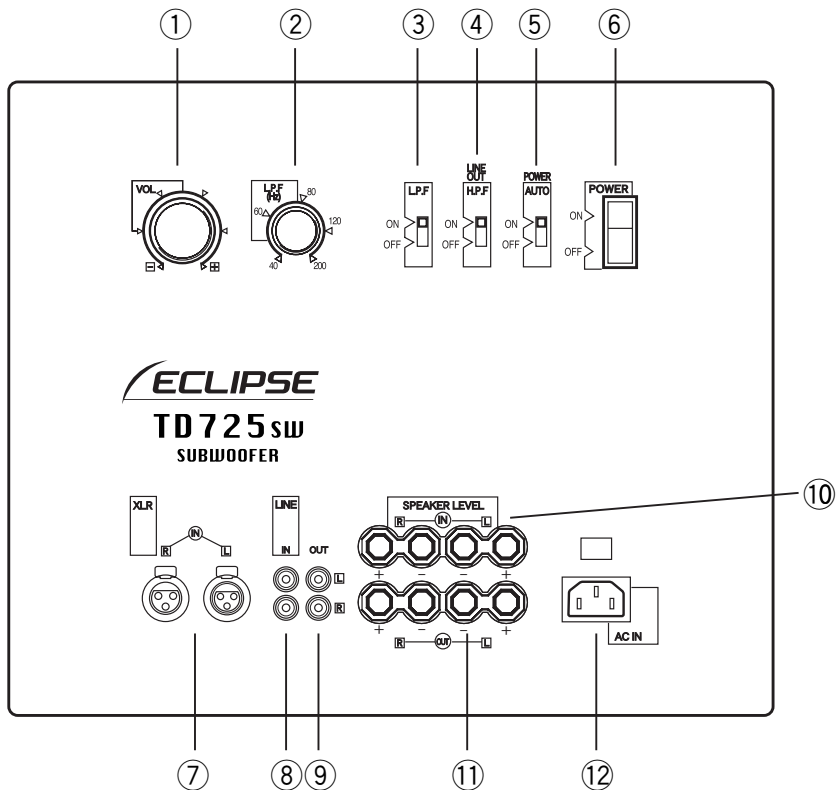


Advice

Do not install the subwoofer at a location where the remote control photoreceptor is exposed to direct sunlight or any other strong light. This may cause failure to respond to remote controller operations, or erroneous operation.

Names and Functions of Parts

■ Main Unit



① Volume control

This is a knob for adjusting the volume.

② L.P.F. control

This is a knob for adjusting (cutting) the high-range frequencies.

The range in which adjustment is possible is 40 Hz to 200 Hz.

③ L.P.F. selector switch

This is a switch for turning the L.P.F. adjustment function ON or OFF.

Condition	Example media	Recommended L.P.F. status
When the reproduction zone is adjusted at the TD725SW	CD, etc.	ON
When the reproduction zone is adjusted at the player or amplifier	Multi-channel signal of DVD, etc.	OFF

Note that the examples given above apply in typical situations, but you can use the setting that you wish to.

④ H.P.F selector switch

When signals of frequencies higher than the cut-off frequency after output from the line output terminal ⑨ and adjustment by the L.P.F. control ②, are output, this switch determines whether this high-frequency output is ON or OFF.

When the switch is ON, signals of frequencies higher than the cut-off frequency set with the L.P.F. control ② are output. When the switch is OFF, through signals (with no filtering) are output.

⑤ AUTO POWER switch

This switch turns the auto power function ON or OFF.

When the auto power switch is set to ON, the auto power function operates, meaning that the subwoofer goes into the standby status if no input signal is received for 5 minutes (the POWER indicator switches from blue to red.)

When the next input signal is received, the power is automatically turned back on (the POWER indicator switches from red to blue).

When the subwoofer is used at extremely low volumes, set this switch to OFF to avoid erroneous operation.

⑥ POWER switch

This switch turns the main power supply ON and OFF.

⑦ XLR input terminal

This is the terminal where signals are input if the subwoofer (super woofer) output terminal on the AV amplifier or other device, or the amplifier line output terminal, is an XLR connector.

⑧ LINE input terminals

These terminals input signals from the subwoofer (super woofer) output terminals on the AV amplifier or other device, or e.g. the amplifier line output terminal.

⑨ LINE output terminals

These terminals convert the signals input to the input terminals ⑦, ⑧, ⑩ to the line output level (they are not linked to the volume control on the main unit).

⑩ Speaker input terminals

These terminals input the speaker output signals from the amplifier.

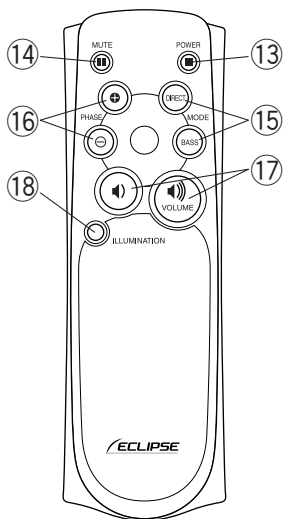
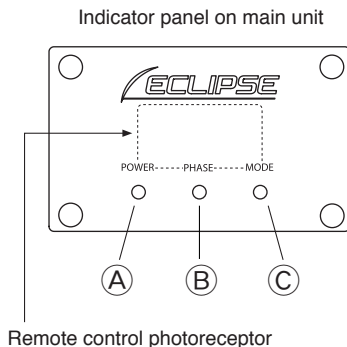
⑪ Speaker output terminals

These terminals output, unchanged, the signals input to the speaker input terminals ⑩.

⑫ AC IN terminal

This terminal is connected to a household AC power outlet via the power cable provided as an accessory.

■ Remote control



⑬ **POWER button**

Press this button to switch between the power ON and standby statuses.
 (The (A) POWER indicator is lit in blue when the power is ON and in red in the standby status.)

⑭ **MUTE button**

Press this button to switch between the “mute” and “play” statuses. The main unit goes into the “mute” status, or returns to the normal status, instantly.
 (While the sound is muted, the (A) POWER indicator is lit in red.)

⑮ **MODE buttons**

Press the BASS button to emphasize low sounds (the MODE indicator (C) will switch from being lit in white to unlit).
 Press the DIRECT button to cancel the effect of pressing the BASS button (the MODE indicator (C) will light in white).

⑯ **PHASE button**

Press the + button to generate positive

phase sound (the PHASE indicator (B) will switch from being lit in amber to unlit).
 Press the - button to generate negative phase sound (the PHASE indicator (B) will light in amber).

⑰ **VOLUME button**

Press the speaker icon button to increase the volume.
 The flashing frequency of the POWER indicator (A) will increase as the volume increases. If you continue to press the button after the maximum volume has been reached, the indicator will stop flashing and remain continuously lit after two seconds.
 Press the speaker icon with slash button to reduce the volume.

The flashing frequency of the POWER indicator (A) will decrease as the volume decreases. If you continue to press the button after the minimum volume has been reached, the indicator will stop flashing and remain continuously lit after two seconds.

⑱ **ILLUMINATION button**

Press this button to toggle between two levels of illumination for the indicators.

Advice

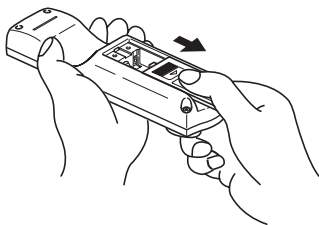
Settings are retained in memory even when the main power supply is turned OFF.
 The settings (indicator statuses) on shipping from the factory are indicated to the right.

POWER	ON	Blue/lit
PHASE	Positive phase	Amber/off
MODE	BASS	White/off

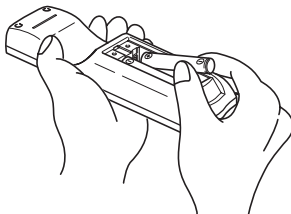
■ Replacing the remote control's battery

Use two AAA size batteries (manganese batteries).

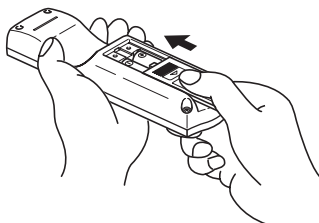
① Open the rear cover of the remote controller by sliding it in the direction shown while pressing on it.



② Place the two batteries in the battery compartment, following the indications in the compartment.



③ Close the battery compartment by sliding the rear cover in the direction shown while pressing on it.



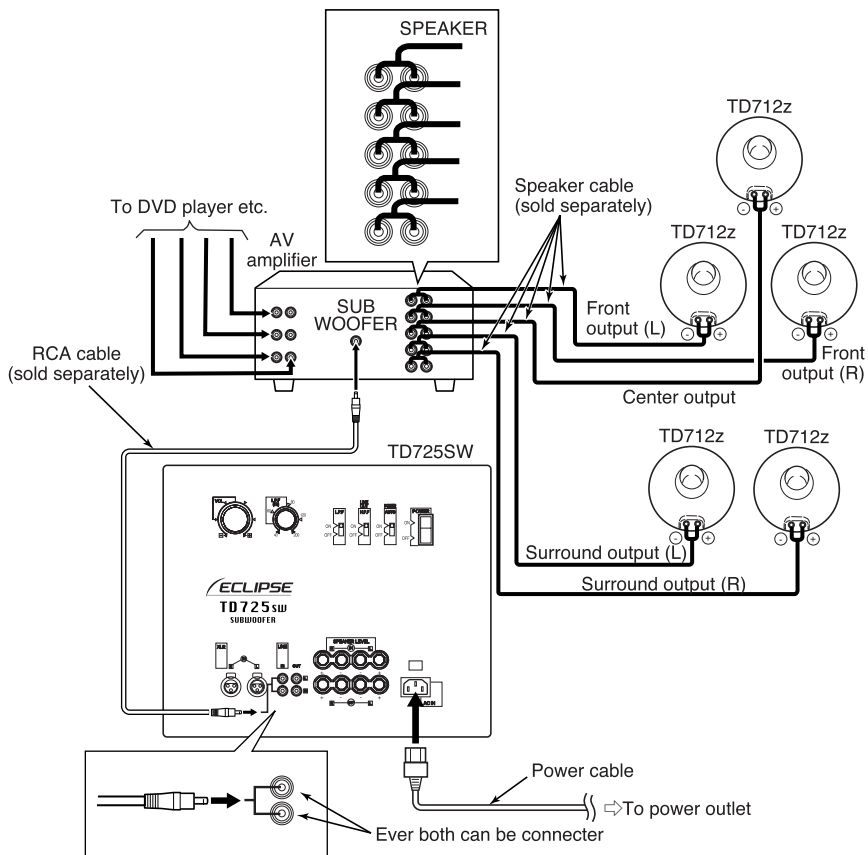
⚠ CAUTION

- The battery life is approximately one year. If the remote controller stops working, it is probably because the batteries have reached the end of their life: replace the batteries.
- Take care to install the batteries with the correct polarity.
- Do not use old and new batteries together.
- Do not use different types of battery together.
- In the event of liquid leakage from a battery, thoroughly wipe the liquid out of the battery compartment and then insert new batteries.

Example Connection

Example of a 5.1 channel system

■ Player + AV amplifier + TD712z + TD725SW

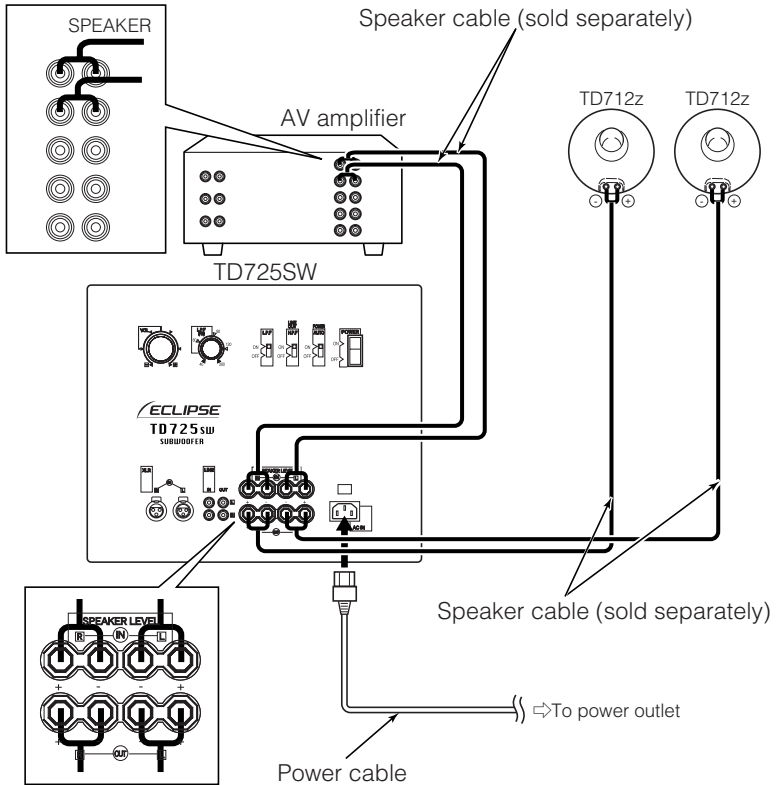


- ◆ Please purchase the cables marked “sold separately” at a retail store close to you.
- ◆ If the AV amplifier only has one subwoofer output channel, make the connection to either of the “line in” terminals. Alternatively, use a branch cable (sold separately) to connect to both “line in” terminals.

Example of a 2.1 channel system

■ Player + amplifier + TD725SW + TD712z

● Speaker cable connections



Care and Specifications

■Care

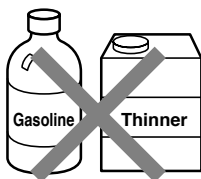
Before attending to the care of the subwoofer, be sure to turn the power OFF and remove the power cable plug from the power outlet.

Remove any soiling on the subwoofer by wiping lightly with a soft cloth.

If the soiling is severe, wet the cloth with water, wring it out well, wipe the soiling off, and then finish with a dry cloth.

Do not wipe the subwoofer with benzene or any thinner.

This could damage the surface of the cabinet.



■If the subwoofer operates abnormally

If, during use, the subwoofer is subjected to strong external noise (abnormal power supply voltage caused by excessive impact, static electricity, or a lightning strike), or it is handled incorrectly, it may stop operating correctly.

If this happens, turn the POWER button OFF. Upon turning the power back ON, check that operation is normal.

If the fault remains, please contact Fujitsu Ten.

■Specifications

Please note that the specifications and external appearance of the subwoofer are subject to change without notice for the sake of improvement.

Rated output :

500 W
(T.H.D. of 1%)

Total high frequency distortion factor :

0.05%
(at 50 Hz and half the rated output)

Playing frequency characteristics :

20 Hz – 200 Hz
(BASS MODE, L. P. F. 200Hz)

Input sensitivity :

40 mVrms (50 Hz)

Signal to noise ratio :

95 dB or higher

Input impedance :

10 k ohms

External dimensions :

W517 x H473 x D503 (mm)
[W20¹/₄" x H18⁵/₈" x D19³/₄"]
(including projections)
W473 x H473 x D473 (mm)
[W18³/₄" x H18³/₄" x D18³/₄"]
(dimensions of the box)

Input voltage :

100 V (Japan)
120 V (USA)
230 V (Europe)

Power consumption :

65 W

Speaker opening diameter :

φ 25 cm x 2 [φ 10" x 2]

Weight :

Approx. 42.5 kg [93¹/₂ lbs]

Warranty and After Service

■Warranty (appended)

Read the warranty carefully and then keep it in a safe place.

Term of the warranty

The term is one year from the date of purchase.

Note that charges may be made even during the warranty term: read the warranty carefully.

■Minimum retention time of performance parts for repairs

The minimum retention time for performance parts for repairs to this product is 8 years after manufacture ceases.

This term is in accordance with MITI guidelines.

“Performance parts for repairs” means those parts that are necessary to maintain the performance of the product.

■For consultation about repairs or any point you are unsure about:

Please use the contact details below for “Fujitsu Ten ECLIPSE TD information.”

Eclipse TD (UK) Ltd

Tel : +44 (0)20 7328 4499

Fax : +44 (0)20 7624 6384

mailto : info@eclipse-td.co.uk

■When repairs are requested


[During the warranty term]

Please submit the warranty certificate when requesting repairs.

We will repair the product in accordance with the stipulations on the warranty.

[After the warranty term has ended]

If the product can be made usable through repairs, we will undertake the repair work on a fee-charging basis.

Inspect your audio equipment for a long service life!	
 Caring Inspections	<p>Have you noticed any of these symptoms?</p> <ul style="list-style-type: none">●The power cable or plug is abnormally hot.●There is a burning smell.●There is a deep cut in the power cable or it is deformed.●Other abnormalities or failures

Stop Using the Product.

To prevent product failure or accidents, turn the power off, remove the power cable from the power outlet, and request an inspection without fail. For details about the charges for inspection and repairs, contact Fujitsu Ten.