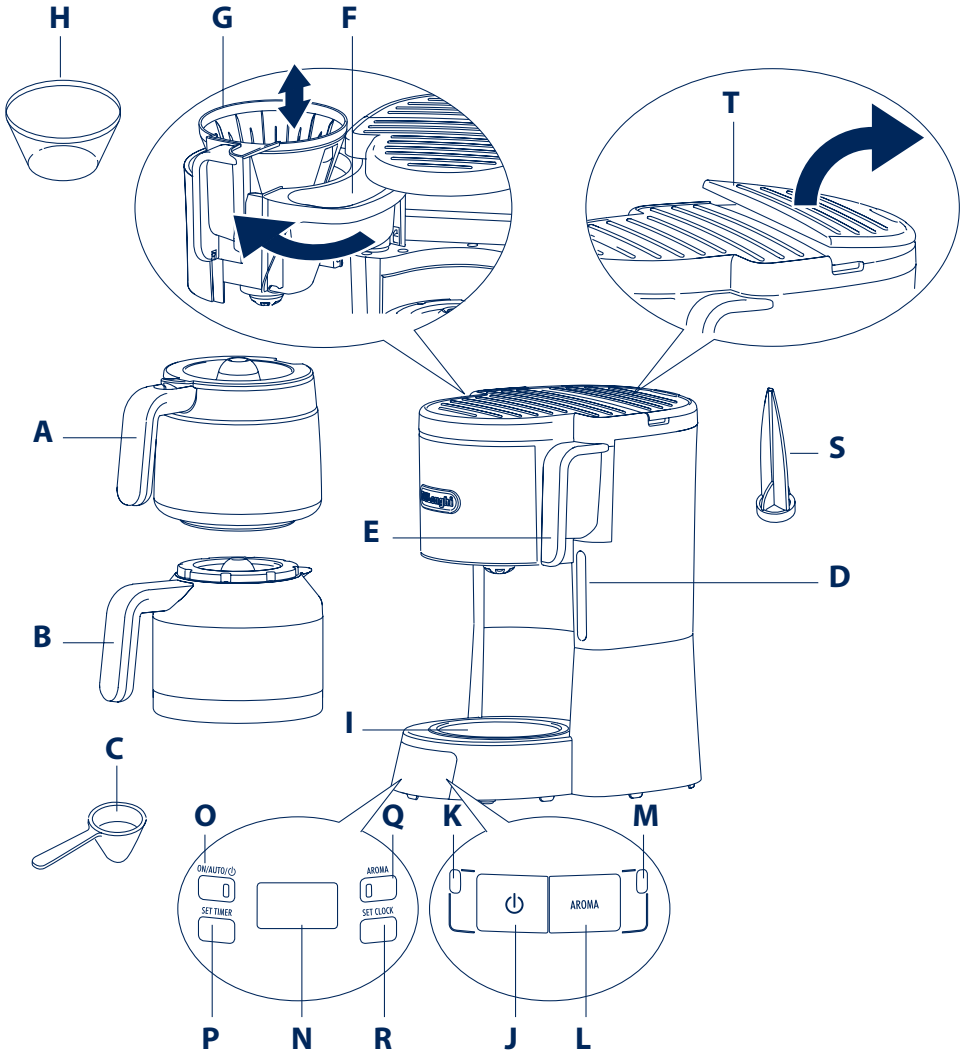
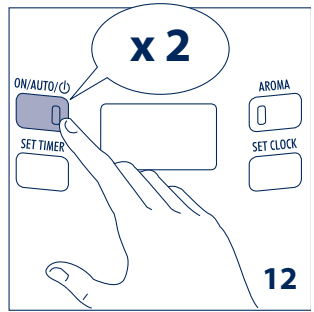
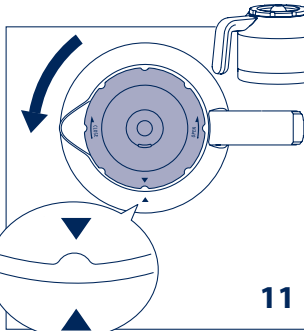
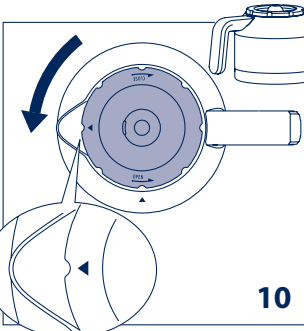
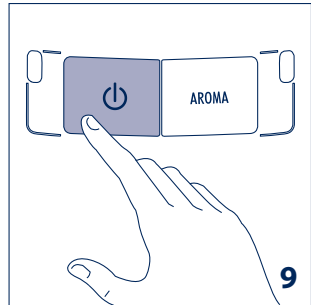
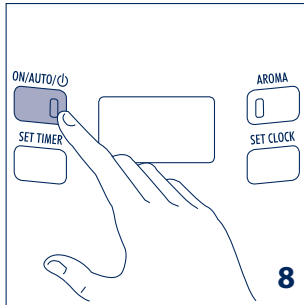
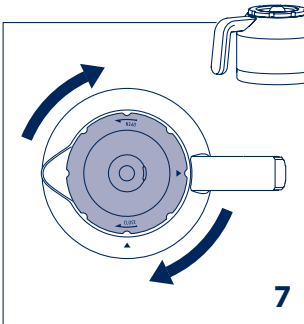
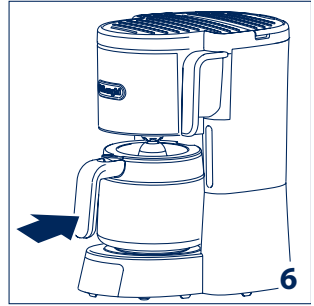
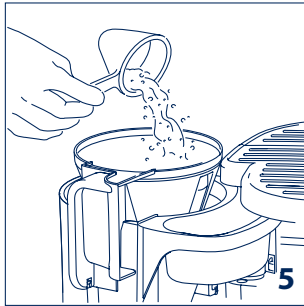
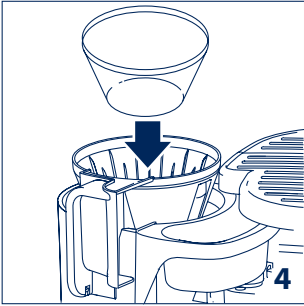
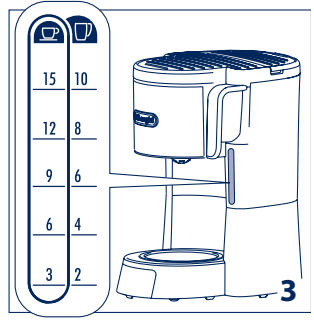
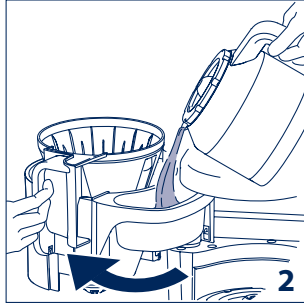
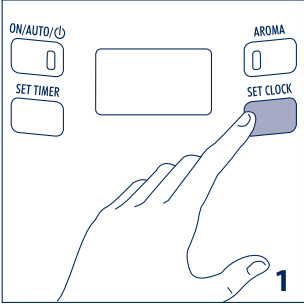


**ICM15240 ICM15250**

Instructions for use **COFFEE MAKER**









## **Danger!**

Failure to observe the warning may result in life threatening injury by electric shock.

- The power cable of this appliance must not be replaced by the user as the operation requires the use of special tools. If it is damaged or must be replaced, contact De'Longhi Customer Services to avoid all risk.
- Never immerse the coffee maker in water. It is an electrical appliance.
- Unplug the appliance and turn off the main switch when not in use. Do not leave the appliance switched on unnecessarily.
- As with all electrical appliances, use the coffee maker with care and common sense, particularly in the presence of children.
- Check that the voltage of the mains power supply corresponds to the value indicated on the appliance rating plate. Connect the appliance to an efficiently earthed electrical socket with a minimum rating of 10A only. The manufacturer declines all liability for any accidents caused by the absence of an efficient earth system.
- If the power socket does not match the plug on the appliance, have the socket replaced with a suitable type by a qualified electrician.
- When filling the water tank or removing the jug from the machine, avoid spilling liquid on the plug or power cable.



## **Danger of burns!**

Failure to observe the warning could result in scalds or burns.

- This appliance is designed and made to "prepare coffee". Be careful to avoid being scalded by spraying water or steam or due to improper use of the appliance.
- When using the appliance do not touch the hot surfaces. Use the knobs or handles.
- Never touch the appliance with wet or damp hands or feet.
- The plate remains hot after the appliance has been used.



## **Important!**

Failure to observe the warning could result in injury or damage to the appliance.

- The manufacturer is not liable for damage caused by inappropriate, incorrect or irresponsible use.
- In the event of failure or malfunction, unplug the appliance from the mains. If it requires repair, contact De'Longhi Customer Services only and ask for original spare parts to be used. Failure to respect the above could jeopardise the

safety of the appliance.

- The appliance is not intended for use by persons (including children) with reduced physical, sensory or mental capabilities, or lack of experience and knowledge, unless they have been given supervision or instruction concerning use of the appliance by a person responsible for their safety. Children should be supervised to ensure that they do not play with the appliance.
- After removing the packaging, make sure the appliance is complete and undamaged. If in doubt, do not use the appliance and contact qualified personnel only.
- The packing elements (plastic bags, polystyrene foam, etc.) should be kept out of reach of children as they are a safety hazard.
- Place the appliance on a work surface far away from water taps, basins and sources of heat.
- Never install the appliance in environments where the temperature may reach 0°C or lower (the appliance may be damaged if the water freezes).



## **Please note:**



This symbol identifies important advice or information for the user.

- Read this instruction booklet carefully before installing and using the appliance. This is the only way to ensure the best results and maximum safety for the user.
- This is a household appliance only. It is not intended to be used in:
  - staff kitchen areas in shops, offices and other working environment;
  - farm houses;
  - by clients in hotels, motels and other residential type environments;
  - bed and breakfast type environments
- Any other use is considered improper and thus dangerous.
- Materials and accessories coming into contact with food conform to EEC regulation 1935/2004.
- After positioning the appliance on the work top, leave a space of at least 5 cm between the surfaces of the appliance and the side and rear walls and at least 20 cm above the coffee maker.

## Description of appliance

- A. Glass jug (certain models only)
- B. Thermal jug (certain models only)
- C. Measure
- D. Water level indicator
- E. Open/extract filter holder handle
- F. Water fill compartment
- G. Filter holder for drip coffee
- H. Permanent filter (if provided) or paper filter
- I. Plate (heats up in models with glass jug only)

### Models with switch:

- J.  'ON/STAND-BY' button
- K.  'ON/STAND-BY' light
- L. Aroma button
- M. Aroma light


### Electronic models:

- N. Display
- O. ON/AUTO/ button with light
- P. Set timer button
- Q. Aroma button with light
- R. Set clock button
- S. Water tank filter
- T. Inspection door

## Setting the clock *(certain models only)*

Plug the appliance into the mains socket. The first time it comes on, "0:00" appears on the display. To set the exact time, press and hold the SET CLOCK button (R) (fig. 1) until the current time is displayed, then release. The time can be set at any moment.

## How to make drip coffee

 **Please note:** the first time the appliance is used, all accessories and the internal circuits must be washed through by making at least two jugs of coffee without using pre-ground coffee.

- Open the door at the front by pulling the handle (E) and use the jug to pour clean cold water into the water fill compartment (F) (fig. 2) up to the level indicated for the number of cups of coffee you want to make. Check the level of water in the tank through the level window (D) (fig. 3). You are recommended to use the jug provided as a measure as the maximum capacity of the jug and the tank are the same.
- Position the permanent filter (H) (if present) in the filter

holder (G) (fig. 4). In versions without permanent filter, use the paper filter (size 1x4).



- Place the pre-ground coffee in the filter using the measure (C) provided and level evenly (fig. 5). See the table for recommended quantities. Use good quality, medium pre-ground coffee for drip coffee makers.

### Recommended quantities:

No. small cups ☞	No. large cups ☞	No. measures (*)
15	10	10
12	8	8
9	6	6
6	4	4
3	2	2

(\*) 1 level measure = 1 tablespoon (5 g)

The quantities given in the table are indicative and should be adapted to your personal taste and the type of coffee. Never exceed the maximum quantity of 10 measures. The type of blend has a considerable influence on the coffee you make. You should therefore try various types of coffee to find the one best suited to your taste.

- **Models with glass jug (A):** close the door at the front of the appliance and place the closed jug on the plate (fig. 6).
- **Models with thermal jug (B):** before placing the jug on the plate, make sure the lid is closed (fig. 7).
- **Models with electronic controls:** press the ON/AUTO/ button (fig. 8). The red light indicates that the coffee maker is operating and "BREW" appears on the display. The appliance emits a beep when delivery begins, then three beeps when it ends. The taste of the coffee can be optimised by pressing the AROMA button (Q). This function enables a process of percolation which releases the water in the filter more slowly. Filtering a little at a time improves the flavour and aroma of the coffee. To enable the function, press the aroma button (the light on the button comes on). To disable the function, press the button again. You are recommended to use the AROMA button when you do not want to make a full jug of coffee.
- **Models with switch:** Press the  button (J) (fig. 9). The light on the switch indicates that the coffee maker is operating. Coffee delivery will start after a few seconds. It is completely normal for the appliance to give off steam while the coffee is percolating. The coffee maker emits a beep when delivery begins, then three beeps when it ends.

The taste of the coffee can be optimised by pressing the AROMA button (Q). This function enables a process of percolation which releases the water in the filter more slowly. Filtering a little at a time improves the flavour and aroma of the coffee. To enable the function, press the aroma button (the light on the button comes on). To disable the function, press the button again. You are recommended to use the AROMA button when you do not want to make a full jug of coffee.

- **In models with glass jug:** if you leave the ☺ button (J) pressed after percolation has finished, the plate will keep the coffee at the ideal temperature. The appliance goes off automatically 40 minutes after coffee delivery ends. To turn the plate off press the ☺ button (J) button again.
- For a new brewing cycle switch off the appliance pressing on/off button and restart.
- **Models with thermal jug:** to pour the coffee, turn the lid to the position shown in fig. 10. To remove the lid completely, turn the lid to the position shown in fig. 11. After percolation has ended, the appliance goes off automatically.
- For a new brewing cycle switch off the appliance pressing ☺ button (J) button and restart.

**i Please note:** removing the jug before all the coffee requested has been delivered does not interrupt coffee making, but merely blocks flow into the jug. If you want to pour out a little coffee immediately, you should do so as rapidly as possible in order to avoid the coffee overflowing.

### Programming auto-start *(models with electronic controls only)*

Check that the time is set correctly.

To programme when you want the appliance to make coffee:

- Press the SET TIMER button (P) and hold it down until the time you want the coffee maker to come on is reached.
- Release the SET TIMER button. The time flashes briefly until the setting has been memorised, then the current time is displayed.

### Activating the timer function

- Set the time you want the appliance to come on and go off as described in the above paragraph;
- Prepare the appliance to make coffee. Press the ON/AUTO/☺ button (O) (fig. 12) rapidly twice. The light becomes red to indicate that the appliance is operating and "AUTO" is displayed.

### Cleaning and maintenance

Before maintenance or cleaning of the appliance, turn off, unplug from the mains socket and allow to cool.

- Do not use solvents or abrasive detergents to clean the coffee maker. Just wipe with a soft damp cloth.
- Never immerse the coffee maker in water. It is an electrical appliance.
- The water tank filter (S) can be reached through the inspection door (T). Clean when necessary.

### Descaling

If the water in your area is hard, limescale builds up over time. These deposits may affect correct operation of the appliance. You are recommended to descale the coffee maker every 60 coffee making cycles.

**Models with electronic controls only:** When green light flashes on the aroma button (Q), (about every 60 cycles) you have to descale the appliance. To reset the descaling alarm press the two buttons aroma and set clock at the same time. The green light will be power off.

To descale, always use special commercially available descaling products for drip coffee makers.

1. Dilute the product in the jug, following the instructions on the descaler pack;
2. Pour the solution into the water fill compartment;
3. Place the jug on the warming plate;
4. Press the ON/AUTO/☺ button (O) / ☺ button (J), percolate the equivalent of one cup then turn the appliance off;
5. Leave the solution to work for 15 minutes, then repeat operations 4 and 5.
6. Turn the appliance on and deliver the water until the tank is completely empty.
7. Rinse by operating the appliance with water only at least 3 times (3 complete tanks of water).

Failure to clean as described above invalidates the guarantee.

## Technical data

Mains voltage:	220-240V-50/60Hz
Absorbed power:	1000W
Weight: ICM15240 / ICM15250	2.3 kg

## Disposing of the appliance



In compliance with European directive 2002/96/EC, the appliance must not be disposed of with household waste, but taken to an authorised waste separation and recycling centre.



The appliance complies with the following EC directives:

- Low Voltage Directive 2006/95/EC and subsequent amendments;
- EMC Directive 2004/108/EC and subsequent amendments
- EC Regulation 1275/2008 for standby.

## Troubleshooting

Problem	Probable cause	Solution
The coffee takes longer to brew.	The coffee maker needs to be descaled.	Descale the machine as described in the section DESCALING.
The coffee has an acidic taste.	Insufficient rinsing after descaling.	Rinse the machine as described in the section DESCALING.

## Electrical connection (UK only)

A) If your appliance comes fitted with a plug, it will incorporate a 13 Amp fuse. If it does not fit your socket, the plug should be cut off from the mains lead, and an appropriate plug fitted, as below.

**WARNING:** Very carefully dispose of the cut off plug after removing the fuse: do not insert in a 13 Amp socket elsewhere in the house as this could cause a shock hazard. With alternative plugs not incorporating a fuse, the circuit must be protected by a 15 Amp fuse. If the plug is a moulded-on type, the fuse cover must be re-fitted when changing the fuse using a 13 Amp Asta approved fuse to BS 1362. In the event of losing the fuse cover, the plug must NOT be used until a replacement fuse cover can be obtained from your nearest electrical dealer. The colour of the correct replacement fuse cover is that as marked on the base of the plug.

B) If your appliance is not fitted with a plug, please follow the instructions provided below:


**WARNING - THIS APPLIANCE MUST BE EARTHED**

### IMPORTANT

The wires in the mains lead are coloured in accordance with the following code:



Green and yellow:	Earth
Blue:	Neutral
Brown:	Live

As the colours of the wires in the mains lead may not correspond with the coloured markings identifying the terminals in your plug, proceed as follows: The green and yellow wire must be connected to the terminal in the plug marked with the letter E or the earth symbol  or coloured green or green and yellow. The blue wire must be connected to the terminal marked with the letter N or coloured black. The brown wire must be connected to the terminal marked with the letter L or coloured red.



De'Longhi Appliances  
via Seitz, 47  
31100 Treviso Italia