

ELKAY[®]

SPECIFICATIONS

Elite Gourmet™ by Elkay
36" and 48" DOUBLE BOWL SINK
Models 3626EGD and 4826EGD

GENERAL

Elite Gourmet Sink can be customized with optional backsplash, faucet, cabinet, or front panel and towel bar.

SINK DESIGN FEATURES

Material: Hand fabricated and finished from professional grade 16 gauge, Type 304 stainless steel.
Length: Standard 36" or 48".
Bowl Depth: 10".
Coved Corners: 1-3/4" Vertical and Horizontal Radius.
Outer edge of sink has a 5/32" raised rim.
Underside: Fully protected by heavy duty Sound Guard™ under-coating to prevent condensation and deaden sound.
Hand blended and finished stainless steel surface featuring a highlighted inside top bowl radius.
Drain Fittings: (2) LK99 drains included.
Choice of front treatment: Bullnose or Square. Square front comes with towel bar mounting holes.

Sinks come standard with backsplash mounting holes. Specify "WB" suffix to order without.

Backsplash: For design features, reference specification sheet EG-5.

Cabinet: For design features, reference specification sheet EG-4.

Front Panel: Included with cabinet. If cabinet is not required, front panel is available as a separate component. Reference specification sheet EG-4.

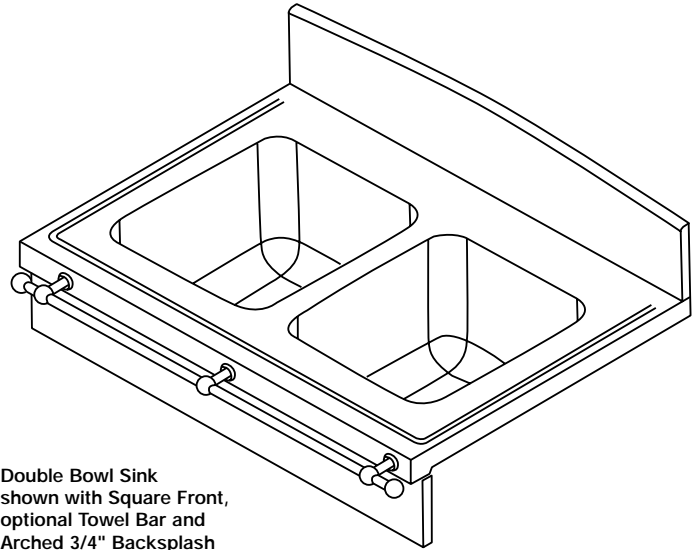
Towel Bar: Choice of chrome or chrome with gold accent finish. Attached to front panel when combined with bullnose front treatment sinks. With square front treatment sinks, towel bar is attached to sink and not to the front panel.

Faucets: For design features, reference specification sheets, EG-7 and EG-8.

OPTIONAL ACCESSORIES

LKH180/190 Series Instant Hot Water Dispensers
LK2156 Series Instant Cold Water Dispensers
ERS1 Remote Chiller
LK313 Series Soap Dispensers

LKRB1611 (36" Sink) and LKRB1614 (48" Sink) Rinse Baskets
CBT1613 (36" Sink), CB1516 (36" Sink) and CBT1713 (48" Sink)
Cutting Boards



Double Bowl Sink
shown with Square Front,
optional Towel Bar and
Arched 3/4" Backsplash

SINK DIMENSIONS (INCHES)*

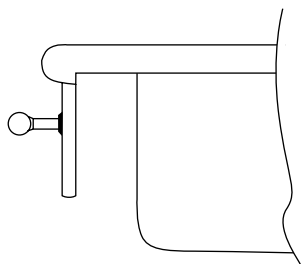
Model Number	Overall		Right Bowl			Left Bowl			Front Treatment	Fits Cabinet Base	No. of 1-1/2" Dia. Faucet Holes. 2 Hole at 8" Centers, 3 and 4 Hole at 4" Centers. 0 Hole Std. w/ 2" Backsplash
	L	W	L	W	D	L	W	D			
3626EGDB	36	26	13 1/2	16	10	13 1/2	16	10	2" Bullnose	36"	0, 2, 3 or 4
3626EGDS	36	26	13 1/2	16	10	13 1/2	16	10	2" Square	36"	0, 2, 3 or 4
4826EGDB	48	26	19	16	10	19	16	10	2" Bullnose	48"	0, 2, 3 or 4
4826EGDS	48	26	19	16	10	19	16	10	2" Square	48"	0, 2, 3 or 4

*Length is left to right. Width is front to back.

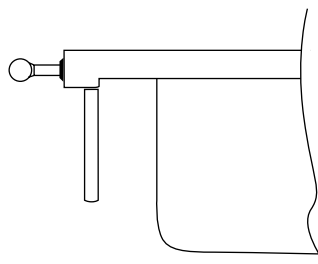
ALL DIMENSIONS IN INCHES, TO CONVERT TO MILLIMETERS MULTIPLY BY 25.4.

In keeping with our policy of continuing product improvement, Elkay reserves the right to change product specifications without notice.

FRONT TREATMENT PROFILE FOR TOWEL BAR OPTIONS

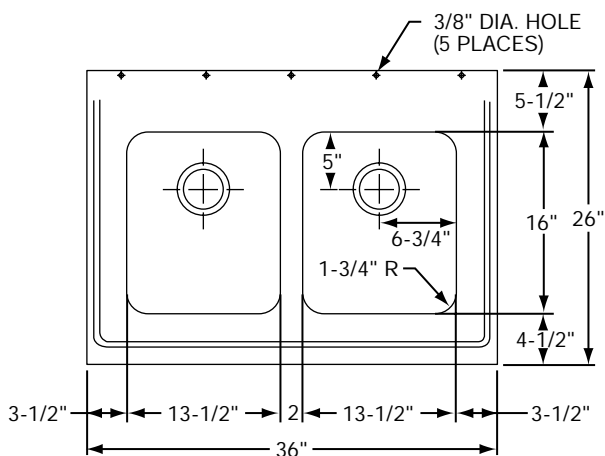


Bullnose Front Treatment
 shown standard with optional
 Towel Bar attached to front panel.

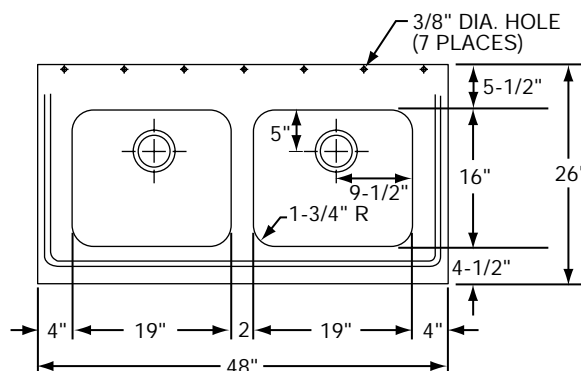


Square Front Treatment
 shown standard with optional
 Towel Bar attached to sink.

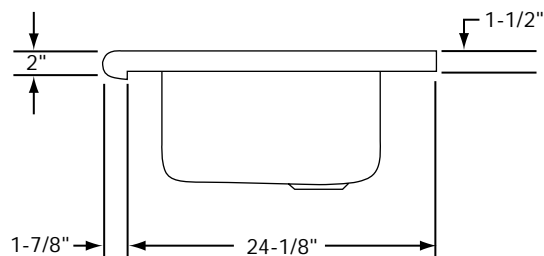
36" DOUBLE BOWL TOP VIEW



48" DOUBLE BOWL TOP VIEW



BULLNOSE FRONT TREATMENT



SQUARE FRONT TREATMENT

