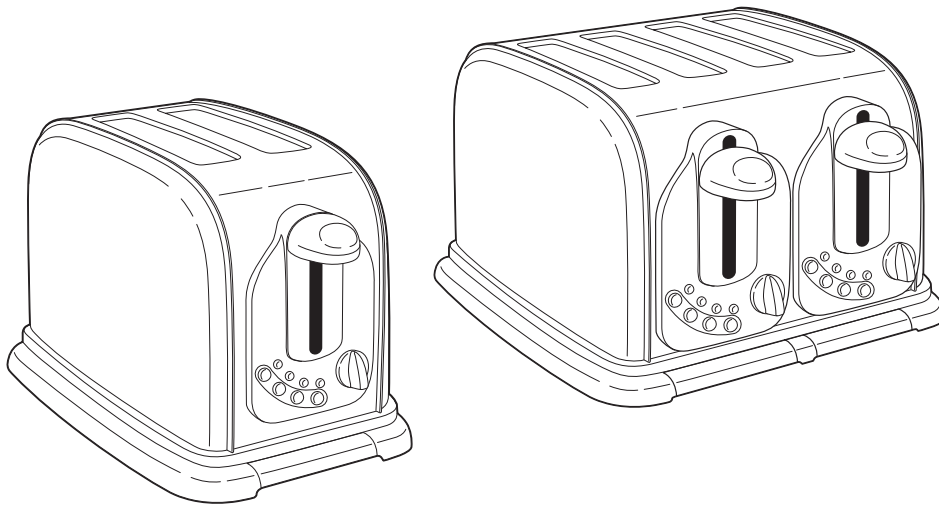




# Toaster Grille-pain Tostador



**READ BEFORE USE  
LIRE AVANT L'UTILISATION  
LEA ANTES DE USAR**

**840146000**

**168988, 169002**

**For Customer Assistance, call Customer Service at  
1-877-207-0923 (US) or 1-877-556-0973 (Canada)**

**Pour l'assistance à la clientèle au Canada : 1-877-556-0973**

**Para comunicarse con Asistencia al Cliente en México: 01-800-343-7378  
Le invitamos a leer cuidadosamente este instructivo antes de usar su aparato.**

**⚠ WARNING****Shock Hazard**

- Do not immerse this appliance in water or other liquid.
- This appliance has a polarized plug (one wide blade) that reduces the risk of electrical shock. The plug fits only one way into a polarized outlet. Do not defeat the safety purpose of the plug by modifying the plug in any way or using an adaptor. If the plug does not fit, reverse the plug. If it still does not fit, have an electrician replace the outlet.

**⚠ WARNING****Fire Hazard**

- Do not operate while unattended.
- Do not use with food that has been spread with butter, jelly, frosting, etc.
- Do not use with rice cakes, fried foods, frozen prepared foods or non-bread items.
- Do not use with toaster pastries. Always cook toaster pastries in a toaster oven broiler.
- Do not cover or use near curtains, walls, cabinets, paper or plastic products, cloth towels, etc.
- Close supervision is necessary when used by or near children.
- Always unplug toaster when not in use.
- Failure to follow these instructions can result in death or fire.

**IMPORTANT SAFEGUARDS**

When using electric appliances, basic safety precautions should always be followed, including the following:

1. Read all instructions.
2. Do not operate toaster while unattended.
3. Close supervision is necessary when any appliance is used by or near children.
4. Do not attempt to dislodge food when toaster is plugged in.
5. To protect against electrical shock, do not immerse cord, plug, or toaster in water or other liquid.
6. Unplug from outlet when not in use and before cleaning. Allow to cool before putting on or taking off parts, or moving toaster.
7. Do not operate toaster with a damaged cord or plug or after toaster malfunctions or has been damaged in any manner. Call our toll-free customer service number for information on examination, repair or adjustment.
8. Oversized foods, metal foil packages, or utensils must not be inserted in a toaster as they may involve a risk of fire or electric shock.
9. Do not clean with metal scouring pads. Pieces can break off pad and touch electrical parts resulting in risk of electrical shock.
10. A fire may occur if toaster is covered or touching flammable material, including curtains, draperies, walls, overhead cabinets, paper or plastic products, cloth towels, and the like, when in operation.

11. Do not operate toaster in an enclosed space, such as an appliance cabinet, caddy, garage or other storage area.
12. Do not cook, warm, or toast rice cakes, fried foods, non-bread items or toaster pastries. Toaster pastries should be heated in a toaster oven broiler. Do not heat any food product that has been spread or iced with margarine, butter, jelly, frosting, syrup, or other spread. Follow Toasting Guide.
13. Failure to clean crumb tray may result in a fire hazard.
14. Do not place on or near a hot gas or electric burner, or in a heated oven.
15. Do not touch hot surfaces. Use handles or knobs.
16. The use of accessory attachments not recommended by the manufacturer may cause injuries.
17. Do not let cord hang over edge of table or counter, or touch hot surfaces.
18. Before unplugging toaster, make sure bread lifter is in "up" position.
19. Do not use outdoors.
20. Do not use toaster for other than intended use.
21. This product is for household use only.

## SAVE THESE INSTRUCTIONS!

### Other Consumer Safety Information

To avoid a circuit overload, do not operate another high wattage appliance on the same circuit.

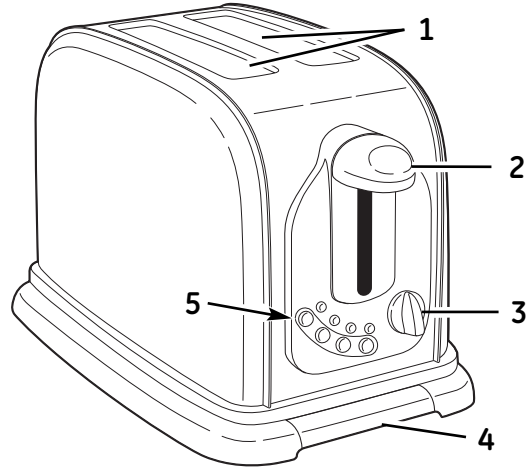
The length of the cord used on this appliance was selected to reduce the hazards of becoming tangled in, or tripping over, a longer cord. If a longer cord is necessary, an approved extension cord may be used. The electrical rating of the extension cord must be equal to or greater than the rating of the toaster. Care must be taken to arrange the extension cord so that it will not drape over the countertop or tabletop where it can be pulled on by children or accidentally tripped over.

## TOASTING CHART

FOOD	SHADE SETTING
Regular bread	5 to 7
English muffins	10 Bagel
Bagels	7 to 10 Bagel
Frozen bread or buns	4 to 6 Defrost
Frozen waffles	1 Defrost
Toaster pastries (such as Pop Tarts®): Do not heat in toaster – use toaster oven broiler. If you must use toaster – ALWAYS set to lowest shade setting, NEVER heat cracked, broken or warped pastries, and NEVER leave unattended.	

®Pop Tarts is a registered trademark of the Kellogg Co.

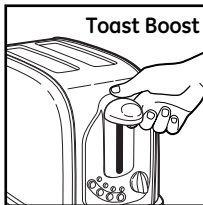
## PARTS AND FEATURES



### 1. Extra-Wide Slots with Bread Guides

2. **Bread Lifter** – Push down bread lifter to start toaster. The bread lifter may be lifted up to stop toasting during a cycle. To lift, place index finger under lifter and thumb on top edge of toaster directly above lifter. Lift up firmly.

**Toast Boost** – After toast lever has popped up, use your finger to lift toast lever up another ½-inch higher to aid retrieval of small items from slot.



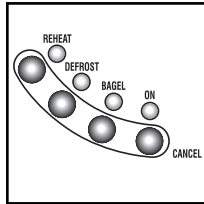
3. **Shade Selector** – The shade selector ranges from light toast (setting 1-3) to dark toast (setting 8-10). Adjust to desired setting before using.



4. **Slide-Out Crumb Tray** (see page 6 for more information)

## PARTS AND FEATURES

### 5. Programming Buttons



**Cancel** – This light will be illuminated as long as the toaster is on. To end toast cycle at any time in any cycle, press the/Cancel button. The cycle will stop and the light will go out.

**Bagel** – Load the toaster with the cut sides of the bagel facing out. AFTER the toasting cycle has started, press the Bagel button. The Bagel light will come on and the inside heating element will turn off. The Defrost OR Reheat buttons can be used in conjunction with Bagel button, but Defrost AND Reheat can NEVER be used at the same time.



**Defrost** – AFTER toasting cycle has started, press the Defrost button. The Defrost light will come on and some additional time will be added to the cycle to thaw toast item.

**Reheat** – AFTER the toasting cycle has started, press the Reheat button. The Reheat light will come on and the original toasting cycle will be canceled and replaced with a 30-50 second Reheat cycle.

**CAUTION:** Never try to reheat any food product that has been spread with margarine, butter, or any other spread.

**To combine programs is easy. To toast a frozen bagel:**

- Load bagel in toaster with cut sides facing out.
- Choose desired Shade Selector setting.
- Push down the Bread Lifter to start the toasting cycle.
- Press Bagel button, then press Defrost.

## HOW TO TOAST

1. Plug toaster into electrical outlet.
2. Place bread in slots. Select toast shade and press down bread lifter.
3. At the end of the toasting cycle, the bread will pop up automatically. Lift up on bread lifter to reach small bread.  
**NOTE: The bread lifter will not latch down unless toaster is plugged in.**
4. To stop the toasting cycle sooner, lift up bread lifter or push the cancel button.

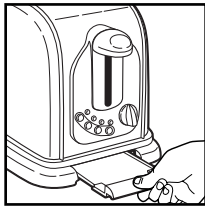
## TIPS AND TROUBLESHOOTING

- Toasting is affected by the temperature of the bread. Room temperature bread may toast to a medium color on the medium setting. The same type of bread that has been refrigerated may require a darker setting to reach a medium color.
- The moisture content will also affect toasting. Fresh **bagels**, made locally, will have a higher moisture content than bagels purchased in the bread section of the supermarket. The bagel setting only energizes the outside wall heating elements. A second, shorter toasting cycle may be needed to reach desired brownness. Fresh bagels made locally may require two toasting cycles.
- Because of the irregular surface of **English muffins**, they may require more than one toasting cycle. After toasting for one cycle on the darkest setting, if a darker shade is desired, adjust shade selector to a lighter setting and toast for a second cycle. Watch closely to avoid overbrowning. English muffins cut with a knife toast more evenly than English muffins split with a fork.
- Many toasters have thermostats that must reset after toasting one cycle. The electronic controls of this toaster allow **toasting batch after batch**, with no waiting for the thermostat to reset.
- To remove food that becomes lodged in food slots, disconnect from outlet and allow toaster to cool. Turn toaster upside down and shake. Do not use fork or other utensil that could damage heating element or result in risk of fire or electrical shock.
- When toasting a single slice, you may notice variations in bread color from side to side.

## CLEANING YOUR TOASTER

**NOTE:** If the toaster is used daily, the crumb tray should be cleaned weekly.

1. Unplug toaster and let cool.
2. Slide open crumb tray, discard crumbs, and wipe tray with clean cloth. Replace crumb tray.



3. Wipe outside of toaster with a damp cloth. Do not use abrasive cleansers that may scratch the surface of the toaster.
- 6

## CUSTOMER SERVICE

If you have a claim under this warranty, please call our Customer Assistance Number. For faster service please have model, series, and type numbers ready for operator to assist you. These numbers can be found on the bottom of your appliance.

**MODEL:** \_\_\_\_\_ **TYPE:** \_\_\_\_\_ **SERIES:** \_\_\_\_\_

**Customer Assistance Number 1-877-207-0923 (US) or 1-877-556-0973 (Canada)**

**Keep these numbers for future reference!**

**For more information, please visit us at [www.walmart.com](http://www.walmart.com)**

### Two-Year Limited Warranty

#### What does your warranty cover?

- Any defect in material or workmanship.

#### For how long after the original purchase?

- Two years.

#### What will we do?

- Provide you with a new one.
- For those items still under warranty but no longer available, WAL-MART reserves the right to replace with a similar GE branded product of equal or greater value.

#### How do you make a warranty claim?

- Save your receipt.
- Properly pack your unit. We recommend using the original carton and packing materials.
- Return the product to your nearest WAL-MART store or call Customer Assistance at 1-877-207-0923 (US) or 1-877-556-0973 (Canada)

#### What does your warranty not cover?

- Parts subject to wear, including, without limitation, glass parts, glass containers, cutter/strainer, blades, seals, gaskets, clutches, motor brushes, and/or agitators, etc.
- Commercial use or any other use not found in printed directions.
- Damage from misuse, abuse, or neglect, including failure to clean product regularly in accordance with manufacturer's instructions.

#### How does state law relate to this warranty?

- This warranty gives you specific legal rights, and you may also have other rights which vary from state to state or province to province.
- THIS WARRANTY IS IN LIEU OF ANY OTHER WARRANTY OR CONDITION, WHETHER EXPRESS OR IMPLIED, WRITTEN OR ORAL, INCLUDING, WITHOUT LIMITATION, ANY STATUTORY WARRANTY OR CONDITION OF MERCHANTABILITY OR FITNESS FOR A PARTICULAR PURPOSE.
- WAL-MART, GE, AND THE PRODUCT MANUFACTURER EXPRESSLY DISCLAIM ALL RESPONSIBILITY FOR SPECIAL, INCIDENTAL, AND CONSEQUENTIAL DAMAGES OR LOSSES CAUSED BY USE OF THIS APPLIANCE. ANY LIABILITY IS EXPRESSLY LIMITED TO AN AMOUNT EQUAL TO THE PURCHASE PRICE PAID WHETHER A CLAIM, HOWEVER INSTITUTED, IS BASED ON CONTRACT, INDEMNITY, WARRANTY, TORT (INCLUDING NEGLIGENCE), STRICT LIABILITY, OR OTHERWISE. SOME STATES OR PROVINCES DO NOT ALLOW THIS EXCLUSION OR LIMITATION OF INCIDENTAL OR CONSEQUENTIAL LOSSES SO THE FOREGOING DISCLAIMER MAY NOT APPLY TO YOU.

#### What if you encounter a problem with this product while using it outside the country of purchase?

- The warranty is valid only in the country of purchase and you follow the warranty claim procedure as noted.