

dacor

The Life of the Kitchen.®

USE & CARE SGM COOKTOPS

*For Use With:
SGM304, version
SGM364, version
SGM365, version
SGM464, version
SGM464GG, version
SGM466, version*

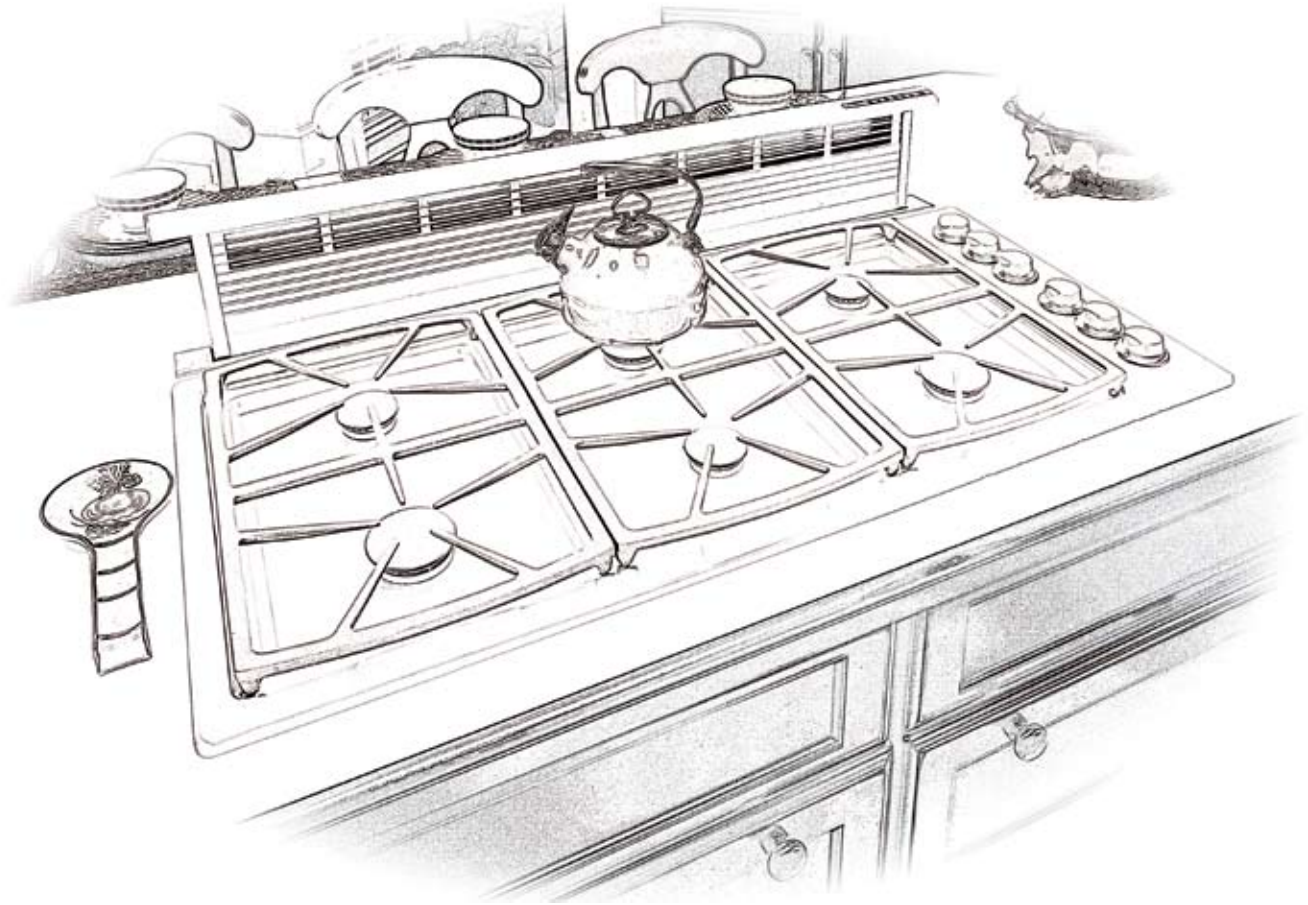


TABLE OF CONTENTS

| | |
|------------------------------------|-----|
| IMPORTANT SAFETY INSTRUCTIONS..... | 1-2 |
| COOKTOP FEATURES | 3-4 |
| COOKTOP OPERATIONS | 4-5 |
| CARE AND CLEANING..... | 6-7 |
| BEFORE YOU CALL FOR SERVICE..... | 8 |
| PRODUCT WARRANTY | 9 |



To Our Valued Customer:

Congratulations on your purchase of the very latest in Dacor products! Our unique combination of features, style and performance make us The Life of the Kitchen, and a great addition to your home.

In order to familiarize yourself with the controls, functions, and full potential of your new Distinctive Appliance, we suggest that you thoroughly read this use & care manual, beginning with the **Important Safety Instructions** section.

All Dacor appliances are designed and manufactured with quality and pride, while working within the framework of our company value. Should you ever experience a problem with your product, please first check the **Before You Call for Service** section of this manual for guidance. It provides useful suggestions and remedies prior to calling for service.

Valuable customer input helps us to continuously improve our products and services, so please feel free to contact our Customer Service Team for assistance with any of your product support needs.

Dacor Customer Service
1440 Bridge Gate Drive
Diamond Bar, CA 91765

Telephone: (800) 793-0093
Fax: (626) 403-3130
Hours of Operation: Monday through Friday
6:00 A.M. to 5:00 P.M. Pacific Time
Web Site: www.Dacor.com

Thank you for choosing Dacor for your home. We are a company built by families for families and we are dedicated to serving yours. We are confident that your new Dacor product will deliver a high level of performance and enjoyment for many years to come.

Sincerely,

A handwritten signature in black ink, appearing to read "Cheryl Crowe". The signature is fluid and cursive.

Cheryl Crowe
Director, Customer Satisfaction

IMPORTANT SAFETY INSTRUCTIONS

Installer: Please leave this guide with this appliance.

Consumer: Please read and keep this Use & Care Manual for future reference. This guide provides proper use and maintenance information. **Keep this guide and the sales receipt and/or cancelled check in a safe place for future reference. Proof of original purchase date is needed for warranty service.**

If you have any questions, call:

Dacor® Customer Service
1-800-793-0093 (U.S.A. and Canada)
Monday — Friday 7:30 am to 4:00 pm Pacific Time
website: www.Dacor.com

Have complete model and serial number identification of your cooktop ready. These numbers are found on a serial plate, located _____ . Record these numbers below for easy access.

Model Number _____

Serial Number _____

Date of Purchase _____

For service and warranty information, see page 9.

In our continuing effort to improve the quality and performance of our appliances, it may be necessary to make changes to the appliance without revising this guide.

What You Need to Know About Safety Instructions

Warning and Important Safety Instructions appearing in this guide are not meant to cover all possible conditions and situations that may occur. Common sense, caution and care must be exercised when installing, maintaining or operating an appliance.

Always contact the manufacturer about problems or conditions you do not understand.

Safety Symbols, Words, Labels

DANGER

DANGER – Immediate hazards which **WILL** result in severe personal injury or death.

WARNING

WARNING – Hazards or unsafe practices which **COULD** result in severe personal injury or death.

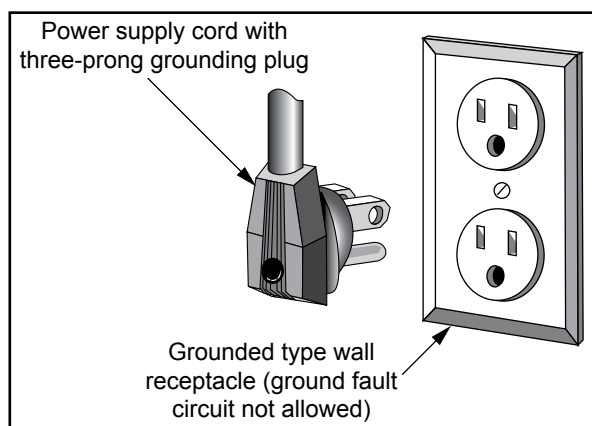
CAUTION

CAUTION – Hazards or unsafe practices which **COULD** result in minor personal injury or property damage.

DANGER

WARNING – NEVER use this appliance as a space heater to heat or warm the room. Doing so may result in carbon monoxide poisoning and overheating of the oven.

This appliance is equipped with a three-prong grounding plug for your protection against possible electrical shock hazards. It must be plugged into a grounding receptacle. Where a standard two-prong wall receptacle is encountered, it is the personal responsibility and obligation of the customer to have it replaced with a properly grounded three-prong wall receptacle. **Do not under any circumstances, cut or remove the third (ground) prong from the power cord.** Do not use an adapter plug. Do not use an extension cord. **Do not use a Ground Fault Circuit Interrupter.**



IMPORTANT SAFETY INSTRUCTIONS

WARNING

To reduce risk of fire, electric shock, serious injury or death when using your cooktop, follow these basic precautions, including the following:

What to Do:

1. Begin by ensuring proper installation and grounding of the appliance by a qualified technician according to the accompanying Installation Instructions. Have the installer show you where the fuse or junction box is located so that you know how and where to turn off power. Also, have the installer show you the location of the gas supply. If you smell gas, do not use the cooktop. Immediately turn off the gas supply at the shut off valve, disconnect electrical power to the unit at the fuse or junction box and contact the gas supplier or qualified appliance technician.
2. Ensure that the cooktop is used only by those individuals who are able to operate it properly.
3. Use the cooktop only for cooking tasks expected of a home appliance as outlined in this manual.
4. Properly clean and maintain as recommended in this manual, cleaning only the parts listed.
5. Use only dry potholders to avoid steam burns when removing hot cookware.
6. In the event that a burner flame goes out and gas escapes, open a window or door. Wait at least 5 minutes before attempting to use the cooktop.
7. Select utensils of the proper size, material and construction for the particular type of cooking being done. Select utensils that are large enough to contain food without boil-overs or spill-overs. Choose pans with easily grasped handles that will stay cool while cooking. Do not use utensils with loose handles. Avoid using pans that are too heavy to lift safely. Use cookware only for its intended purpose. Certain types of glass, ceramic, and earthenware utensils are suitable for use only in an oven and not in cooktop applications.
8. When cooking, set the burner controls so that the flame heats only the bottom of the utensil and does not lick at the sides of the utensil.
9. When deep fat frying, be certain that the pan is large enough to contain the desired volume of food without overflow caused by bubbling of the fat. Never leave a deep fat fryer unattended. Avoid deep fat frying of moist or frost-covered foods. Foods with high water content may cause spattering or spilling of the hot fat. Heat fat slowly and stir together any combinations of oils and fats prior to applying heat. Utilize a deep fat frying thermometer to avoid heating the fat to temperatures above the flash point.
10. Always turn pan handles to the side or back of the cooktop. Do not turn handles towards the room where they are easily hit. Handles should not extend over adjacent burners.
11. Always check the positions of the control knobs to make sure the cooktop is off when you are finished cooking.
12. Before performing any service, turn off the gas supply by closing the gas shut-off valve and turning off the electrical power supply.

13. Always light each burner prior to placing a utensil on the burner grate. Also, turn the control knob to the "off" position before removing a utensil from the burner grate.
14. Always clean the cooktop cautiously. If using a damp sponge or cloth, wait until the cooktop has cooled sufficiently to prevent steam burns. Also, some cleaners can produce harmful or unpleasant fumes if applied to hot surfaces.
15. Keep any ventilation filters clean to avoid grease fires.
16. Always set utensils gently onto the grates and center them so that they are well-balanced.
17. Always keep the cooktop surface clean and dry.

What Not to Do:

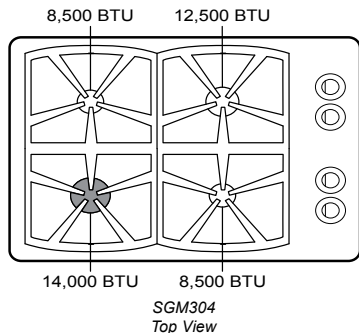
1. Do not leave children alone or unattended in the area where the cooktop is in use. Never allow children to sit or stand on any part of the cooktop. Do not let children play with the cooktop.
2. Do not store items of interest to children above the cooktop. Children could be burned or injured while climbing on the appliance.
3. Do not wear loose or hanging apparel while using the cooktop.
4. Do not repair or replace any part of the cooktop unless specifically recommended in literature accompanying this appliance. All other service should be referred to a qualified technician.
5. Do not use water on grease fires. A violent steam explosion may result. Smother any flames with a lid, cookie sheet or flat tray. Flaming grease can be extinguished with baking soda or a multi-purpose chemical or foam extinguisher.
6. Do not allow potholders to touch gas burners. Do not use a towel or bulky cloth as a potholder.
7. Do not block or obstruct the holes beneath the control knobs. Blocking these holes may affect burner operation and may result in a hazard.
8. When using the cooktop, do not touch the grates, burner caps, burner bases, or any other parts in proximity to the flame. These components may be hot enough to cause burns.
9. If the cooktop is near a window, do not use long curtains as a window treatment. They can blow over the cooktop and create a fire hazard.
10. Do not cover the burners and grates with anything except properly selected utensils. Decorative covers should not be used.
11. Do not heat unopened food containers such as baby food jars and cans. Pressure build-up may cause the container to burst and cause injury.
12. Do not use abrasive or caustic cleaners or detergents on this appliance, as these may cause permanent damage. Do not use aerosol cleaners, as these may be flammable or cause corrosion of metal parts.
13. Do not use or attempt to use this appliance in the event of a power failure.

SAVE THESE INSTRUCTIONS

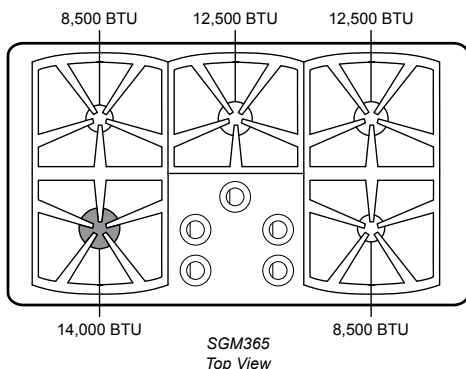
COOKTOP FEATURES

SEALED BURNERS

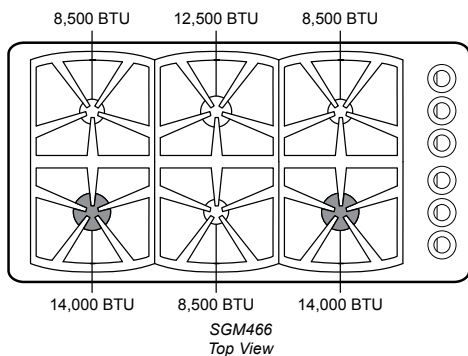
On SGM304 and SGM364 Cooktops, there are a total of four burners, including one burner rated at a maximum output of 14,000 BTU/HR, one burner rated at a maximum of 12,500 BTU/HR and two burners rated at a maximum output of 8,500 BTU/HR. The knobs are grouped in twos. The front two knobs operate the front two burners, and the rear two knobs control the two rear burners.



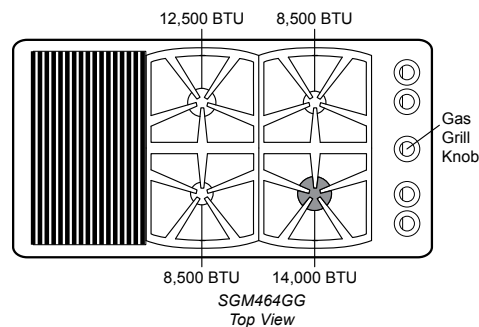
On the SGM365 Cooktop, there are a total of five burners, including one burner rated at a maximum output of 14,000 BTU/HR, two burners rated at a maximum of 12,500 BTU/HR and two burners rated at a maximum output of 8,500 BTU/HR. The knobs are positioned to correspond with the burner layout.



On the SGM466 Cooktop, there are a total of six burners, including two burners rated at a maximum output of 14,000 BTU/HR, one burner rated at a maximum of 12,500 BTU/HR and three burners rated at a maximum output of 8,500 BTU/HR. The knobs are grouped in threes. The front three knobs operate the front three burners, and the rear three knobs control the three rear burners.

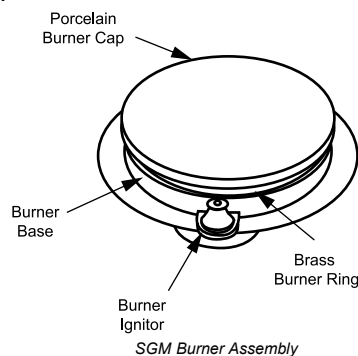


On the SGM464GG Cooktop, there are a total of five burners, including one burner rated at a maximum output of 14,000 BTU/HR, one burner rated at a maximum of 12,500 BTU/HR, two burners rated at a maximum output of 8,500 BTU/HR and one burner rated at a maximum of 9,300 BTU/HR (gas grill burner). The front two knobs operate the front two burners, and the center knob controls the gas grill.



BRASS BURNER RINGS

All burners are attached to the cooktop by retaining nuts. Gaskets around the undersides of the burner bases ensure that the burners are sealed, thereby preventing any liquid spills from entering the cooktop chassis. All spills remain on the surface of the cooktop.

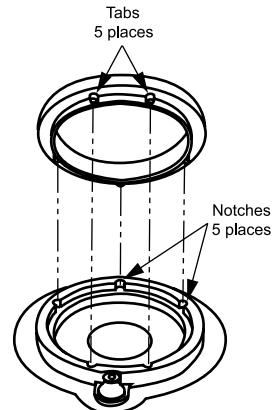


SMART-FLAME

Each burner ring features Smart-Flame. When oriented properly by the burner ring positioning tabs, Smart-Flame prevents direct flame impingement on the fingers of the porcelain grate. This reduces temperatures on the grate and improves flame and performance characteristics, as well as increasing longevity of the porcelain enamel coating on the grate.

BURNER IGNITORS & PERMA FLAME

A burner igniter is located on each gas burner base. When a control knob is rotated more than 90° counterclockwise, on the SGM models, all igniters will spark simultaneously, but only the selected burner will ignite. Additionally, due to the Perma-Flame reignition feature, the igniters will spark automatically if a flame should blow out or be severely distorted by a draft or by a cooktop ventilation system. Burner igniters must always be kept clean and dry to function properly. Dirty or wet igniters will result in constant sparking, even if there is a flame present.



COOKTOP FEATURES

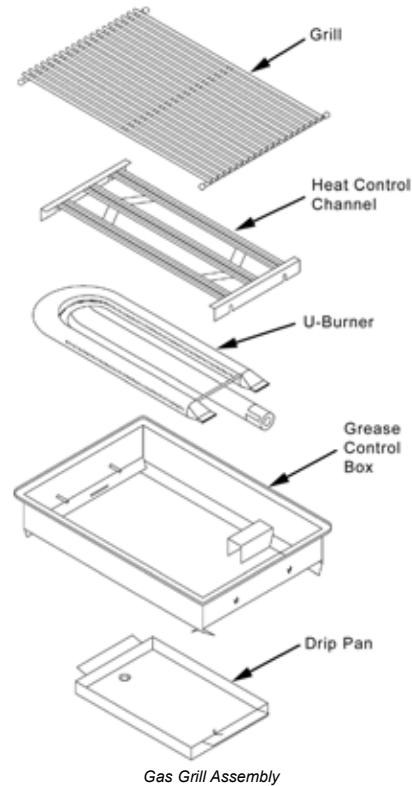
KNOB AND SPILL PROTECTOR RINGS

The control knobs provided with this cooktop are designed for ease of use and longevity. The “D” shaped design of the knob shaft ensures proper orientation when re-installing the knob. The SGM knobs have a clearly defined chamfer to make setting the desired heat an easy task. Beneath each knob, a spill protector ring is inserted into the opening in the cooktop. These rings prevent liquid spills from entering the chassis beneath the cooktop and show heat control information. The control knobs and spill protectors are made of a composite plastic material that is resistant to staining.

See “Operating the Control Valves” for further information.

SGM464GG GAS GRILL (BARBECUE)

The all gas grill location on the SGM464GG has a 9,300 BTU burner that is set into the grease control box just above the removable drip tray. Just above the u-burner is a heat control channel insert and on top of that sits a porcelain coated grill. The center control knob operates an automatic perma-flame ignition system for the single U-shaped burner.



COOKTOP OPERATION

SELECTING THE PROPER COOKWARE

Utensils will affect the overall safety and performance of cooktop cooking, so it is important to select them carefully. An improperly selected utensil will not cook efficiently or evenly. For best results, follow these guidelines:

1. Use medium to heavy gauge metal cookware with flat and smooth bottoms for greatest efficiency.
2. Use utensils with tight fitting lids to retain heat, odors, and steam.

BEFORE COOKING

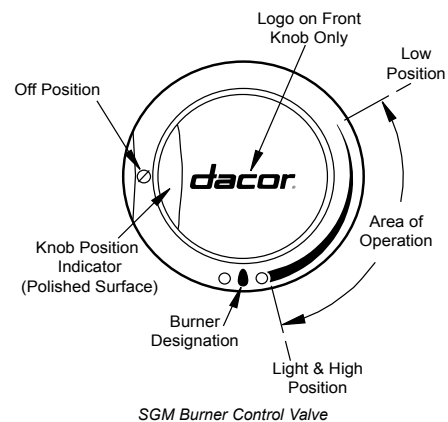
Ensure that the cooktop has been installed by a qualified individual who has tested the operation of the cooktop in accordance with the Installation Instructions. The brass burner rings, burner caps, grates, knobs, and spill protectors must be in place for the cooktop to operate properly. All cooktop components must be clean. Be certain that the gas and electrical power supplies to the cooktop are operational. Read this **Use and Care Manual** in its entirety prior to operating the cooktop.

OPERATING THE CONTROL VALVES

Indicating marks have been placed on the SGM spill ring below each control knob to clearly identify the burner controlled by each knob. The burner being controlled is indicated by a flame icon, while adjacent burners are illustrated by gray ovals.

To light a particular burner, press down on the corresponding control knob, then immediately rotate the knob counterclockwise from the “OFF” (Ø) position to the “HIGH” position (the thickest part of the flame indicator line). **All ignitors will spark continuously until the gas ignites on the selected burner.**

Once the burner is lit, reduce the flame height if desired by rotating the control knob further counterclockwise, then place the utensil on the grate. The flame indicator lines indicate progressively lower flame height as the lines get thinner.



⚠ WARNING

Do not touch any burner cap, burner base, or ignitor while the ignitors are sparking, as an electrical shock could result.

IMPORTANT:

1. **If the gas does not ignite within four seconds, turn off the valve. Allow at least two minutes for any gas to dissipate, then repeat the lighting procedure.**
2. **Burner ignitors must always be kept clean and dry to function properly. Due to the Perma-Flame™ reignition feature, dirty or wet ignitors will result in constant sparking, even if there is a flame present. Additionally, ignitors will spark automatically if the flame is distorted by a draft or by a cooktop ventilation system. Eliminate the draft or reduce the ventilation blower speed in this case.**
4. **When the cooktop is cool and/or more than two burners are in use, the ignitors may continue to spark if the control knob is set to the “LOW” position. This is normal until the burner warms up. The tendency to spark under these conditions can be reduced by operating the burner at a higher flame setting for a short**

COOKTOP OPERATION

- be reduced by operating the burner at a higher flame setting for a short period of time (normally 60 seconds or less), then adjusting the control knob down to the "LOW" setting. The burner will also warm up faster if a utensil is placed on the grate.
5. The flame should be steady and blue in color. Foreign material in the gas line, especially in new construction, may cause an orange flame during initial operation. This will disappear with further use.
 6. The flame should burn evenly around the perimeter of the burner, except underneath each grate support finger where the flame height is reduced by the Smart-Flame feature. If the flame is uneven, ensure that the brass burner ring and porcelain burner cap are properly positioned, then check for any foreign material in the burner ring or on the burner cap. Remove any foreign material with a straightened paper clip, wire, or needle. Do not use a toothpick to remove clogs, as it could break off. Do not damage the brass or distort the shape of the burner ring ports.
 7. Never light the burners with a match or other open flame. If a burner does not ignite, refer to the Troubleshooting Guide.

SETTING THE BURNER FLAME

Setting the proper burner flame height for the desired cooking process and selected utensil will result in superior cooking performance, while also saving time and energy. Follow these recommendations for best results:

1. Use low or medium flame heights when cooking in utensils that are poor conductors of heat, such as glass, ceramic, and cast iron cooking vessels. Reduce the flame height until it covers approximately 1/3 of the utensil diameter. This will ensure even heating within the utensil and reduce the likelihood of burning or scorching of food.
2. Reduce the flame if it is extending beyond the bottom of the utensil. A flame that licks along the sides of the utensil is potentially dangerous, heats the utensil handle and kitchen instead of the food, and wastes energy.
3. Reduce the flame height to the minimum level necessary to perform the desired cooking process. Remember that food cooks just as quickly at a gentle boil as it does at a vigorous, rolling boil. Maintaining a higher boil than is necessary wastes energy, cooks away moisture, and causes a loss in food flavor and nutrient level.

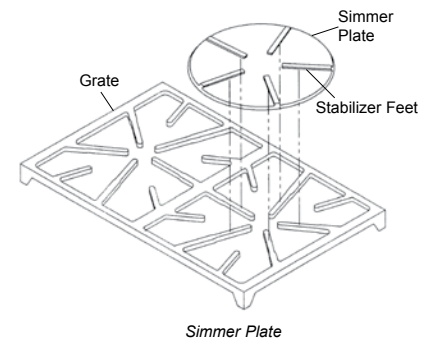
USING THE SIMMER PLATE

The Simmer Plate has been specifically designed for simmering and holding food at the lowest safe temperature. **The Simmer Plate is to be used by setting the burner to its lowest setting.** The Simmer Plate has been specifically designed for simmering only. The Simmer Plate must be removed when cooking.

To install your Simmer Plate locate the five feet on the bottom, align with the five longest fingers on the cooktop grate then set the plate on top of the grate. When correctly installed, the Simmer Plate will rest about 1/2 inch above the top surface of the grate and will be locked in place to prevent turning.

Your Simmer Plate has a non-stick coating for easy cleaning. Take care in using abrasives on the non-stick coating, as it will scratch. Some wearing may occur on top of the Simmer Plate offset fingers, this is normal with use.

NOTE:
Non-stick coatings if used at high temperatures can be harmful to birds. Avoid keeping pets (birds) in your kitchen during cooking.



ENERGY SAVING TIPS

- Always use utensils with flat, smooth bottoms and tight-fitting lids to retain heat and moisture.
- Minimize the amount of liquid or fat to reduce cooking times.
- Select cookware of the proper size, material and construction for the cooking process being performed.
- Adjust the flame height to fit the utensil size.
- After liquid reaches a boil, reduce the heat to maintain a simmer rather than a rolling boil.
- Use a timer rather than repeatedly removing the lid to check food.
- Thaw foods prior to cooking to reduce cooking time.

ACCESSORIES (ORDER SEPARATELY)

- Wok Ring (AWR) - the wok ring is a safe, convenient way to stir fry. Just place it on top of the grate, aligning the wok ring feet with the grate fingers. It will hold most standard sized wok.
- Griddle (AG11 or AG13) - The AG11 and AG13 easy clean griddles are coated with a non-stick finish. Wonderful for pancakes, eggs and various other foods. It is designed to sit on top of your cooktop burner grates. A maximum setting of medium is recommended to avoid damage to the cooktop. See instructions included in griddle carton for further information.

WARNING

To avoid electrical shock or burns, turn off all controls and ensure the cooktop is cool before cleaning.

IMPORTANT:

Do not use harsh or abrasive cleaning agents, waxes, polishes, or commercial cooktop cleaners to clean the cooktop.

Read and follow the **CARE AND CLEANING INSTRUCTIONS** to ensure that proper cooktop operation and appearance will be maintained throughout the lifetime of the product. Several materials and finishes are used in the cooktop. Each material and finish must be properly cleaned according to the following recommendations. Failure to follow these recommendations may result in permanent damage to the cooktop.

CARE AND CLEANING

CLEANING TIPS

WARNING

1. Before cleaning the cooktop, ensure that all burners are turned off and that all components are cool enough to safely touch.
2. After cleaning, reassemble all components before attempting to operate the cooktop.

Proper cleaning is necessary to maintain cooktop performance and appearance, while also ensuring safe operation. The cleaning effort necessary to maintain the cooktop varies according to the type and amount of cooking. For example, more frequent cleaning is required if the cooktop is used often for frying or other high temperature operations.

Clean the cooktop thoroughly prior to operating it the first time. For initial and everyday cleaning, use a soft cloth or sponge lightly dampened with a solution of warm water and hand dishwashing liquid to clean all components.

IMPORTANT:

1. To keep the cooktop looking its best, clean it after every use as soon as all components are cool enough to safely touch. Also, quickly wipe up spills that occur while cooking, being careful not to touch any hot areas. Spills that remain on hot burner components will be very difficult to clean, especially if allowed to burn on. Spills of certain foods, such as tomatoes, citrus juices, vinegar, alcohol, and milk, are very harmful if allowed to stand for any length of time. Therefore, save time while also maintaining a new appearance by cleaning regularly and shortly after spills occur.
2. Use the mildest cleaner or procedure available to perform the cleaning operation.
3. Use only a sponge, soft cloth, fibrous or plastic brush, and nylon pad for cleaning. Avoid the use of abrasive cleaners such as steel wool.
4. Always dry components completely before using the cooktop.
5. The use of brand names is intended only to indicate a type of cleaning agent or cleaning implement. All products listed by name must be used in accordance with the manufacturer's recommendations. Use of a brand name does not constitute an endorsement, nor does omission of a particular brand imply that a product is inferior.

Recommendations for cleaning specific cooktop components are summarized below:

IMPORTANT:

The grates, burner caps, and spill-over areas on the cooktop, unlike other porcelain enamel appliances in your home, are exposed to extremely high temperatures in a matter of seconds. In addition to this extreme thermal shock, the grates are subjected to mechanical shock when utensils are placed on or slid across them. Finally, spillovers introduce foods with high acidity to all of the porcelain components. Due to these severe operating conditions, all porcelain enamel components on the cooktop will undergo an inevitable change in appearance with use. Meticulous care and cleaning will slow but not eliminate this natural and expected aging process.

Treating the porcelain components with care will slow the natural deterioration that takes place with cooktop use. Please follow these guidelines to keep the porcelain parts looking their best:

1. Do not use utensils having rough bottoms, as this can result in permanent damage to the top surfaces of the porcelainized grates.
2. Do not drop utensils onto the grates or drag heavy pots across the tops of the grates.
3. Set the grates into the locating dimples gently. Do not drop the grates into place.
4. Use caution when cooking to avoid spills as much as possible. Porcelain is acid-resistant but not acid-proof, so some foods can cause permanent damage if allowed to remain on porcelain surfaces.

Daily cleaning of the grates and burner caps is best accomplished with a soft cloth or sponge dampened in a solution of warm water and hand dishwashing liquid. Grates and burner caps should not be cleaned in the dishwasher.

Stubborn stains may be removed by applying full-strength sprays such as Simple Green, Ajax All-Purpose Cleaner, Formula 409, or Scotch Guard. Metal polishing compounds such as Luneta or Flitz may also be used. (If you are unable to locate these cleaning compounds, please phone the DACOR Customer Service Department for a referral.)

Mildly abrasive cleaners or applicators, such as S.O.S. Pads, soap-filled steel wool pads, Soft Scrub, or Bon-Ami may be used with extreme care on occasion to remove the most serious stains. **Exercise caution – extensive use of abrasives will eventually damage the porcelain enamel surface.**

STAINLESS STEEL SURFACES

Clean these surfaces with the provided Elco Stainless Steel Cleaner. Rinse and dry with a soft lint-free cloth.

IMPORTANT:

If commercially available stainless steel cleaners are used, it is important to read the labels for chlorine compounds. Chlorine is a corrosive substance. If these compounds are present, rinse thoroughly and dry with a soft lint-free cloth.

Always wipe stainless steel surfaces with the grain.

PORCELAIN SURFACES

The black and white models are finished in porcelain enamel. Clean this surface with a solution of mild detergent and hot water. Rinse with a soft cloth. Do not use abrasives or commercial oven cleaners.

Stubborn stains may be removed by applying full-strength sprays such as Simple Green, Ajax All-Purpose Cleaner, Formula 409, or Scotch Guard.

IMPORTANT:

1. Never use the cooktop surface as a cutting board.
2. Do not use abrasive cleaners or applicators on the cooktop.
3. Do not try to remove heavy spills with a sharp object such as a knife or metal spatula. Sharp objects may scratch the cooktop.
4. A small amount of baby oil may be applied to stainless steel tops to restore the lustre.

KNOBS AND KNOB BEZELS

The control knobs provided with this cooktop are designed for ease of use and longevity. The "D" shaped design of the knob shaft ensures proper orientation when re-installing the knob.

IMPORTANT:

Never block the holes in the control panel beneath the knobs, because this will impair the flow of combustion air and adversely affect burner operation, possibly creating a hazardous condition.

The knobs are made of a composite plastic. These components should be washed regularly in warm, soapy water. Hand dishwashing liquid is excellent for this task. Knobs should be removed by gently pulling them straight out and off of the valve shafts. The spill protectors should be cleaned in place. Use caution to avoid introduction of moisture into the control panel behind the bezels. To replace knobs, align the "D-shaped" opening at the bottom of the knob with the "D-shaped" valve shaft, then carefully press the knob onto the valve.

CARE AND CLEANING

IMPORTANT:

1. Turn the knobs to the "OFF" position prior to removing them from the valve stems.
2. The cooktop should never be operated without the knobs in place.
3. Do not soak the knobs in water or place them in the dishwasher.
4. Do not expose the knobs to direct flame, hot utensils, or other sources of heat.
5. Do not use abrasive or corrosive cleaners or applicators, as these could cause permanent damage.

BURNER BASES

The burner base, which is permanently attached to the cooktop, is made of aluminum. The base should be wiped clean using a soft cloth or sponge that has been lightly dampened with warm water and hand dishwashing liquid. Thoroughly clean and dry the ignitors to prevent constant sparking of the reignition system. Refer to the Burner Ignitors for cleaning tips.

BURNER RINGS

The brass burner rings spread the flame evenly around the burner perimeters. The burner rings must seat properly in the burner bases to enable proper cooktop operation. To ensure proper seating, positioning tabs have been placed on the bottom of each burner ring to slide into corresponding notches in the fixed burner base.

To remove the burner ring, first remove the grate, then lift off the porcelain burner cap. The burner ring may then be removed from the burner base. Soak the burner ring in a warm solution of hand dishwashing liquid and water, then rinse well with clean water. Dry the burner thoroughly before placing it back on the burner base.

Stubborn stains may be removed by applying a metal polishing compound such as Luneta or Flitz. (If you are unable to locate this type of polishing compound, please phone the DACOR Customer Service Department for a referral.)

BURNER IGNITORS

Under certain cooking or cleaning conditions, your cooktop ignitors may become coated with or corroded by food deposits, splattered grease or cleaning agents. This condition can cause erratic or continuous sparking. Keeping the ignitors clean and dry will help to reduce this problem. To avoid unnecessary and costly service calls, the homeowner should perform periodic cleaning of the ignitors. An Ignitor Cleaning Brush is enclosed for your use in cleaning the cooktop ignitors.

To clean the ignitors:

1. Be sure burners are cool to the touch. Remove the grate, burner cap and burner rings.
2. Brush completely around the ignitor, including over and under the edge of the metal cap and base. Use care while cleaning here. The ignitor is porcelain and can be fragile.
3. DO NOT USE WATER when cleaning the ignitors. If a liquid must be used to clean the ignitor effectively, use only a small amount of rubbing alcohol.
4. After cleaning, reinstall the burner ring, burner cap and grate. Make sure the brass burner ring is properly seated into the burner base.
5. Test the burners. If erratic clicking is still present, make sure the ignitor is completely dry. If the unit still exhibits problems after drying, call your local DACOR Authorized Servicer.

U-BURNER GAS GRILL(SGM464GG)

1. Your gas grill will develop greasy areas as a normal result of use. Clean all greasy surfaces with mild soap and a cloth, this includes heat control channel.
2. Do not wash the U-shaped burner in a dishwasher.
3. Clean the surface of the U-shaped burner with soapy water and a brush. Do not submerge the burner in water. Rinse under water and dry thoroughly.
4. During cleaning some material may get clogged in the holes of the gas tubing. Use a paper clip or needle to free all plugged hole of loose material. Dump all cleaning materials out from inside the U-burner before reassembling the appliance.

BEFORE YOU CALL FOR SERVICE

TROUBLESHOOTING

Unnecessary service calls may be expensive, frustrating and time consuming. Before you call for service, please review the potential problems, possible causes and remedies shown in the table below.

| Problem | Possible Cause | Remedy |
|---|---|--|
| 1. Nothing works | Cooktop is not connected to electrical power. | Have cooktop connected to a properly sized electrical power supply by a qualified electrician. |
| 2. Igniters do not spark. | Power supply is not energized. | Have an electrician check power supply, including the house circuit breaker, wiring and fuses. |
| | Circuit breaker is tripped. | Reset circuit breaker. |
| | House fuse is blown. | Replace house fuse. |
| | Power outage in local area. | Contact power company. |
| 3. Sparking, but no flame ignition, | Gas shut-off valve is on "off" position. | Turn shut-off valve to "on" position. |
| | Gas supply is interrupted. | Contact gas company. |
| 4. Burners ignite, but flame is extremely large, distorted or yellow. | Burner ring ports are clogged. | Clean burner ring ports with straightened paper clip, needle or wire. |
| | Burner ports or burner caps are not positioned properly. | Remove and carefully re-install burner rings and caps. |
| | Cooktop is being operated on the wrong type of gas. | Ensure that the type of cooktop matches the gas supply (natural gas or L.P. gas). |
| | Regulator is not installed, is faulty, or is set for the wrong type of gas. | Check installation, replace regulator, or set regulator for proper gas type. |
| 5. Burner flame goes out at low setting. | Low gas supply pressure. | Contact gas company. |
| | Air intake holes around knobs are obstructed. | Remove obstruction. |
| 6. Igniters spark continuously after flame ignition. | Power supply is not grounded. | Have power supply properly grounded |
| | Power supply polarity is reversed. | Have polarity corrected. |
| | Igniters are wet or dirty. | Dry or clean igniters. |

Troubleshooting Guide

PRODUCT MAINTENANCE

No maintenance, other than the **CARE AND CLEANING INSTRUCTIONS** identified in this **Use & Care Manual**, should be attempted by the owner/operator. All other maintenance and service must be performed by a qualified appliance technician.

IF YOU NEED SERVICE

First, review the recommended checks listed in the preceding **Troubleshooting Guide**. Then, be certain that the appliance has been installed properly and is being operated correctly. Familiarize yourself with the warranty terms and conditions listed in the **PRODUCT WARRANTY** section.

If the above checks have been completed and the problem has not yet been remedied, call your local authorized DACOR service representative. Your dealer can normally provide the name and

telephone number of the nearest service company. DACOR works diligently to ensure your satisfaction when service is necessary. However, if you are not completely satisfied with the service provided, contact the company that performed the service and express why you are not pleased. Normally, they will be willing and able to resolve the problem.

If the service agency is not able to respond effectively, call or write the DACOR Customer Service Department. The phone number and address of this department are listed on the inside front cover of this manual. Please include your telephone number if you choose to write. We will then do our utmost to assure your happiness and satisfaction.

PRODUCT WARRANTY

WHAT IS COVERED

CERTIFICATE OF WARRANTIES
DACOR COOKTOPS

WITHIN THE FIFTY STATES OF THE U.S.A., THE DISTRICT OF COLUMBIA AND CANADA*:

FULL ONE-YEAR WARRANTY

If your DACOR product fails to function within one year of the original date of purchase, due to a defect in material or workmanship, DACOR will remedy the defect without charge to you or subsequent users. The owner must provide proof of purchase, upon request, and have the appliance accessible for service.

* Warranty is null and void if non-CSA approved product is transported from the U.S.

OUTSIDE THE FIFTY STATES OF THE U.S.A., THE DISTRICT OF COLUMBIA AND CANADA:

LIMITED FIRST YEAR WARRANTY

If your DACOR product fails to function within one year of the original date of purchase, due to a defect in material or workmanship, DACOR will furnish a new part, F.O.B. factory, to replace the defective part. All delivery, installation and labor costs are the responsibility of the purchaser. The owner must provide proof of purchase, upon request, and have the appliance accessible for service.

WHAT IS NOT COVERED

- Service calls to educate the customer in the proper use and care of the product.
- Failure of the product when used for commercial, business, rental or any application other than for residential consumer use.
- Replacement of house fuses or fuse boxes, or resetting of circuit breakers.
- Damage to the product caused by accident, fire, flood or other acts of God.
- Breakage, discoloration or damage to glass, metal surfaces, plastic components, trim, paint, or other cosmetic finish, caused by improper usage or care, abuse, or neglect.

THE REMEDIES PROVIDED FOR IN THE ABOVE EXPRESS WARRANTIES ARE THE SOLE AND EXCLUSIVE REMEDIES. THEREFORE, NO OTHER EXPRESS WARRANTIES ARE MADE, AND OUTSIDE THE FIFTY STATES OF THE UNITED STATES, THE DISTRICT OF COLUMBIA AND CANADA, ALL IMPLIED WARRANTIES, INCLUDING BUT NOT LIMITED TO, ANY IMPLIED WARRANTY OF MERCHANTABILITY OR FITNESS FOR A PARTICULAR USE OR PURPOSE, ARE LIMITED IN DURATION TO ONE YEAR FROM THE DATE OF ORIGINAL PURCHASE. IN NO EVENT SHALL DACOR BE LIABLE FOR INCIDENTAL EXPENSE OR CONSEQUENTIAL DAMAGES. NO WARRANTIES, EXPRESS OR IMPLIED, ARE MADE TO ANY BUYER FOR RESALE.

Some states do not allow limitations on how long an implied warranty lasts, or do not allow the exclusion or limitation of inconsequential damages, so the above limitations or exclusions may not apply to you. This warranty gives you specific legal rights, and you may also have other rights that vary from state to state.

NOTES:

NOTES:

NOTES:

fold here

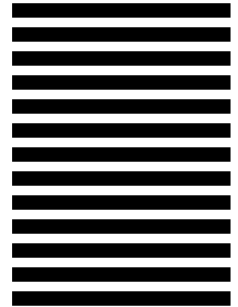


NO POSTAGE
NECESSARY
IF MAILED
IN THE
UNITED STATES

BUSINESS REPLY MAIL
FIRST-CLASS MAIL PERMIT NO. 4507 DIAMOND BAR CA

POSTAGE WILL BE PAID BY ADDRESSEE

DACOR[®], INC.
ATTN: WARRANTY PROCESSING DEPT
1440 BRIDGE GATE DR STE 200
PO BOX 6532
DIAMOND BAR CA 91765-9861





Please visit www.Dacor.com to activate your warranty online.

WARRANTY INFORMATION



IMPORTANT:

Your warranty for this product **CANNOT BE ACTIVATED** until this form has been returned to Dacor. If you have purchased more than one Dacor product, please return all forms in one envelope.

Please rest assured that under no conditions will Dacor sell your name or any of the information on this form for mailing list purposes. We are very grateful that you have chosen Dacor products for your home and do not consider the sale of such information to be a proper way of expressing our gratitude!

Owner's Name: _____
Last (Please Print or Type) First Middle

Street: _____

City: _____ State: _____ Zip: _____

Purchase Date: _____ Email: _____ Telephone: _____

Dealer: _____

City: _____ State: _____ Zip: _____

Your willingness to take a few seconds to fill in the section below will be sincerely appreciated. Thank you.

1. How were you **first** exposed to Dacor products? (Please check one only.)

- A. T.V. Cooking Show
- B. Magazine
- C. Appliance Dealer Showroom
- D. Kitchen Dealer Showroom
- E. Home Show
- F. Builder
- G. Architect/Designer
- H. Another Dacor Owner
- I. Model Home
- J. Other _____

2. Where did you buy your Dacor appliances?

- A. Appliance Dealer
- B. Kitchen Dealer
- C. Builder Supplier
- D. Builder
- E. Other _____

3. For what purpose was the product purchased?

- A. Replacement **only**
- B. Part of a Remodel
- C. New Home
- D. Other _____

4. What is your household income?

- A. Under \$75,000
- B. \$75,000 – \$100,000
- C. \$100,000 – \$150,000
- D. \$150,000 – \$200,000
- E. \$200,000 – \$250,000
- F. Over \$250,000

5. What other brands of appliances do you have in your kitchen?

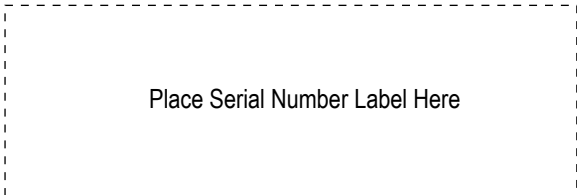
- A. Cooktop _____
- B. Oven _____
- C. Dishwasher _____
- D. Refrigerator _____

6. Would you buy or recommend another Dacor product?

- Yes
- No

Comments: _____

Thank you very much for your assistance. The information you have provided will be extremely valuable in helping us plan for the future and giving you the support you deserve.



cut here

cut here