

# DEBUT™ KARAOKE MACHINE

## INSTRUCTION MANUAL



**EAKAR101**

Thank you for your purchase of this Electrohome® product. Please read this instruction manual carefully before using product to ensure proper use. Keep this manual in a safe place for future reference.

# INTRODUCTION

Thank you for purchasing the Electrohome® Debut™ Karaoke Machine. Bring out your kids' inner pop star! Transform any TV and DVD player into a rockin' karaoke machine for endless entertainment!

## TABLE OF CONTENTS

|   |           |
|---|-----------|
| <b>TABLE OF CONTENTS</b> .....                  | <b>2</b>  |
| <b>WHAT'S INCLUDED</b> .....                    | <b>2</b>  |
| <b>BUTTONS AND CONNECTIONS</b> .....            | <b>3</b>  |
| <b>SETUP</b> .....                              | <b>6</b>  |
| INSTALLING THE BATTERIES.....                   | 6         |
| CONNECTING A POWER ADAPTER (not included) ..... | 7         |
| CONNECTING THE RCA CABLE TO A TELEVISION.....   | 8         |
| CONNECTING THE RCA CABLE TO A DVD PLAYER .....  | 8         |
| CONNECTING THE MICROPHONE(S).....               | 9         |
| <b>OPERATION</b> .....                          | <b>9</b>  |
| OPERATING THE MICROPHONE SYSTEM .....           | 9         |
| <b>TROUBLESHOOTING</b> .....                    | <b>10</b> |
| <b>CARE AND MAINTENANCE</b> .....               | <b>10</b> |
| <b>SPECIFICATIONS</b> .....                     | <b>11</b> |
| <b>FCC STATEMENT</b> .....                      | <b>11</b> |
| <b>ELECTROHOME WARRANTY</b> .....               | <b>12</b> |

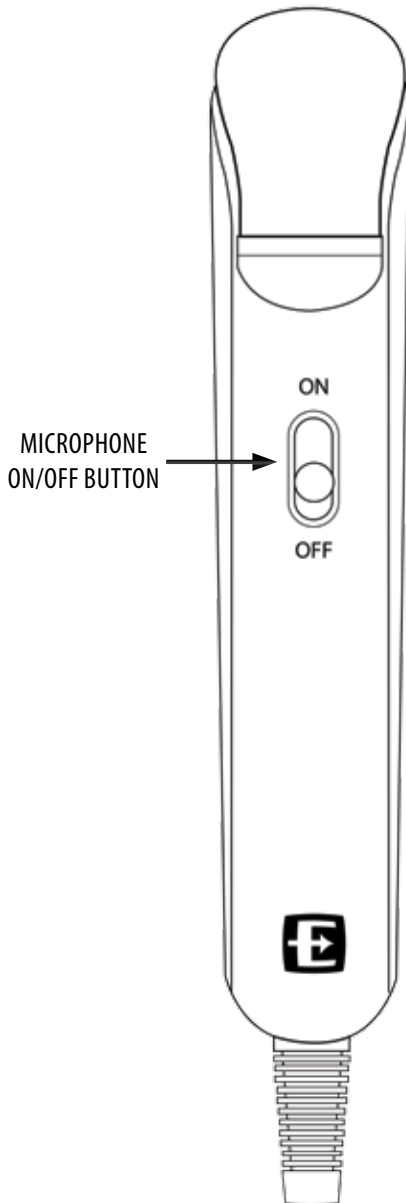
## WHAT'S INCLUDED

- Dynamic Microphone
- 3 x "AA" Batteries
- Karaoke Converter Box
- 2 x RCA Audio Component Cables
- 1 x RCA Video Component Cable
- 30 Song DVD
- Instruction Manual
- 1 Year Warranty
- Lifetime Live Customer Support

**WARNING:** ALL PACKING MATERIAL SUCH AS TAPE, PLASTIC SHEETS, WIRE TIES AND TAGS ARE NOT PART OF THIS ITEM AND SHOULD BE DISCARDED FOR YOUR CHILD'S SAFETY.

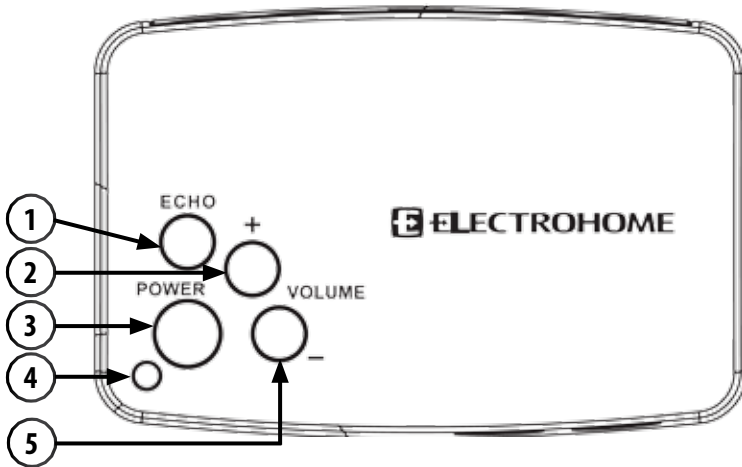
**NOTE:** PLEASE KEEP THIS INSTRUCTION MANUAL, AS IT CONTAINS IMPORTANT INFORMATION.

## MICROPHONE - FRONT

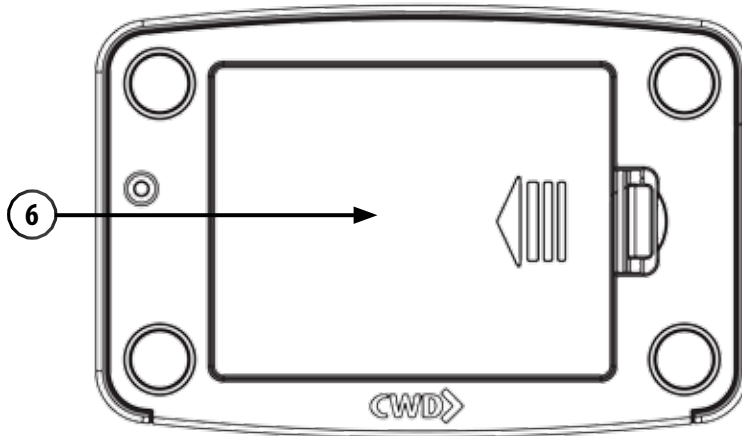


# BUTTONS AND CONNECTIONS

## CONVERTER BOX - TOP



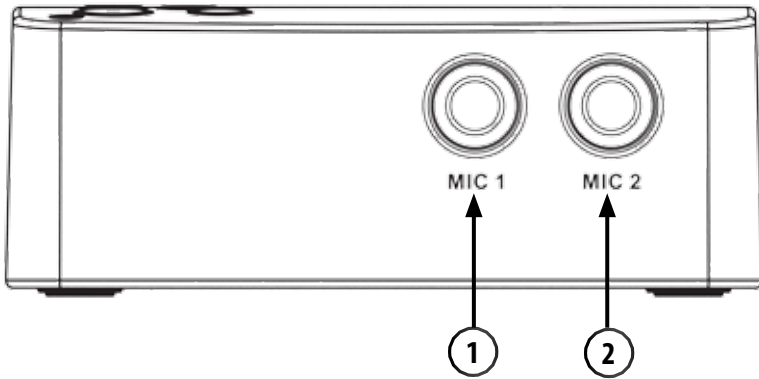
## CONVERTER BOX - BOTTOM



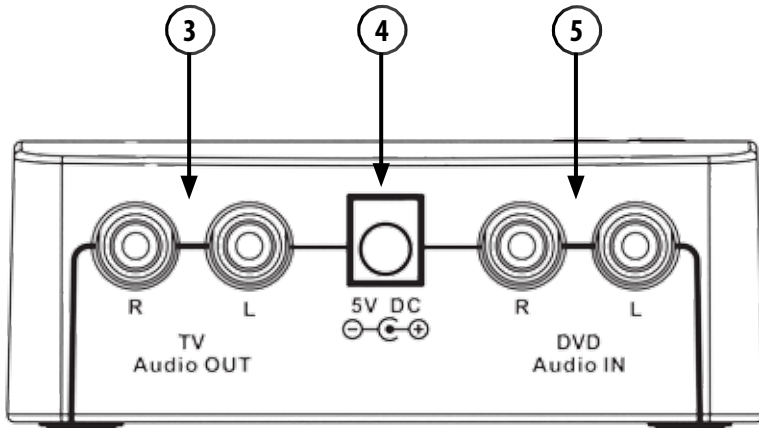
1. ECHO Button
2. MICROPHONE VOLUME +
3. POWER Button
4. POWER INDICATOR
5. MICROPHONE VOLUME -
6. Battery Compartment Cover

# BUTTONS AND CONNECTIONS

## CONVERTER BOX - FRONT VIEW



## CONVERTER BOX - BACK VIEW



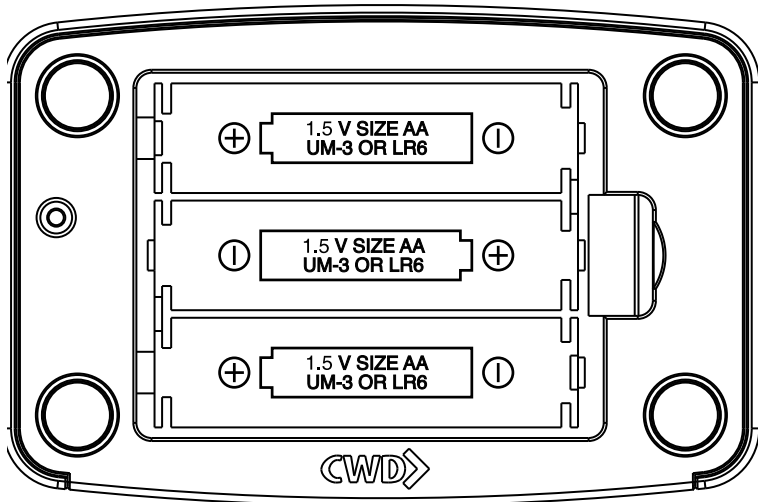
1. MICROPHONE INPUT 1
2. MICROPHONE INPUT 2
3. RCA OUTPUT (TV Audio OUT)
4. DC INPUT (To connect external power adapter; not included)
5. RCA INPUT (DVD Audio IN)

# SETUP

The Electrohome® Debut™ Karaoke Machine is powered by 3 x "AA" batteries (included). You can also use a DC 5V, from 0.2A up to 0.5A power adapter (not included).

## INSTALLING THE BATTERIES

1. Remove the battery compartment cover by pressing down on the latch and removing the cover.
2. Insert three (3) new "AA" batteries ensuring that the battery polarity corresponds to the polarity indicated in the battery compartment.
3. Close the battery compartment cover.



### Please note:

- Batteries must be installed by an adult.
- Alkaline batteries are recommended.
- Place batteries based on the polarity shown inside the battery compartment.
- DO NOT use rechargeable batteries, mix different types of batteries or mix new and used batteries.
- Batteries must be inserted with the correct polarity. Inverted batteries may damage the unit.
- When not using the unit for a prolonged period of time, please remove the batteries to avoid possible damage caused by battery leaks.
- DO NOT short circuit the supply terminals of the batteries.
- Depleted batteries must be removed from the unit.
- DO NOT expose batteries to flames or excessive heat. Batteries may explode, rupture, and cause safety risks.

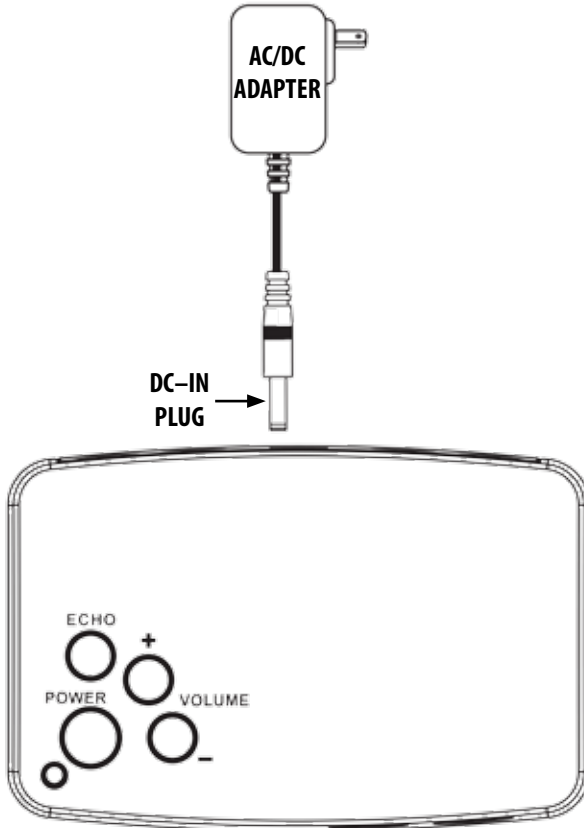
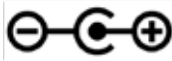
# SETUP

## CONNECTING A POWER ADAPTER (not included)

The converter box can also be powered by connecting a power adapter (sold separately). You can purchase any certified external AC-to-DC power adapter to connect to this product according to the specifications below. The external power adapter should be UL certified and comply with all appropriate safety standards.

OUTPUT SPECIFICATIONS OF POWER ADAPTER MUST BE:

- **OUTPUT VOLTAGE : 5V DC**
- **OUTPUT CURRENT : from 0.2A up to 0.5A**
- **POLARITY OF PLUG : Centre positive**



# SETUP

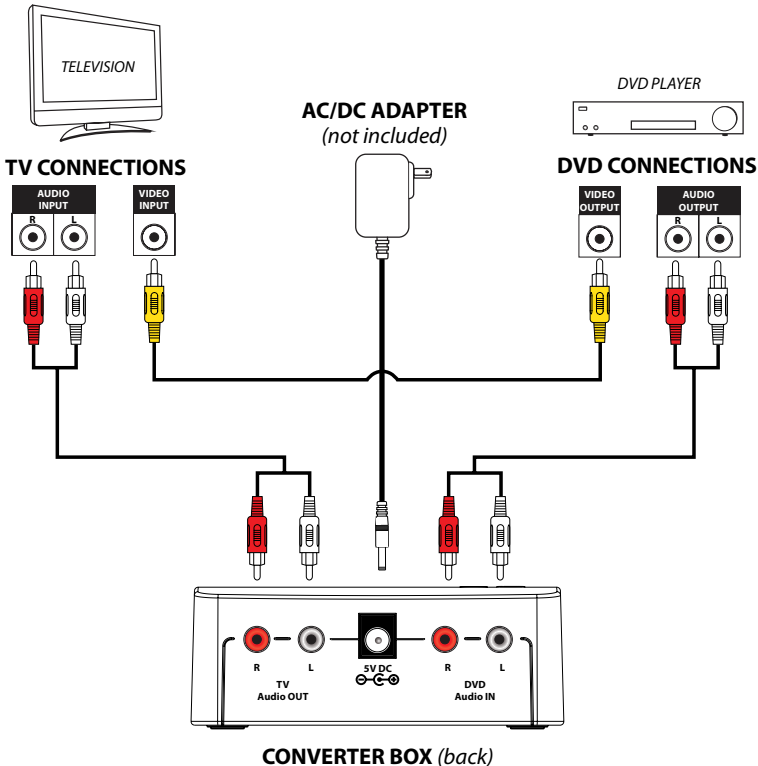
The Electrohome® Debut™ Karaoke Machine has two sets of RCA Audio Component cables (with RED and WHITE RCA plugs) and one set of RCA Video Component cables (YELLOW RCA plug). Please follow the instructions below to setup your system.

## Connecting the RCA cable to a television:

1. Connect the RCA Audio Component cable to the **AUDIO IN L/R** connections of the television.
2. Connect the other end of the RCA Audio Component cable to the **TV AUDIO OUT** connection on the back of the CONVERTER BOX.
3. Connect the RCA Video Component cable to the **VIDEO IN** connection of the television.

## Connecting the RCA cable to a DVD player:

1. Connect the RCA Audio Component cables to the **AUDIO OUT L/R** connections of the DVD player.
2. Connect the other end of the RCA Audio Component cable to the **DVD AUDIO IN** connection on the back of the CONVERTER BOX.
3. Connect the RCA Video Component cable to the **VIDEO OUT** connection of the DVD player.



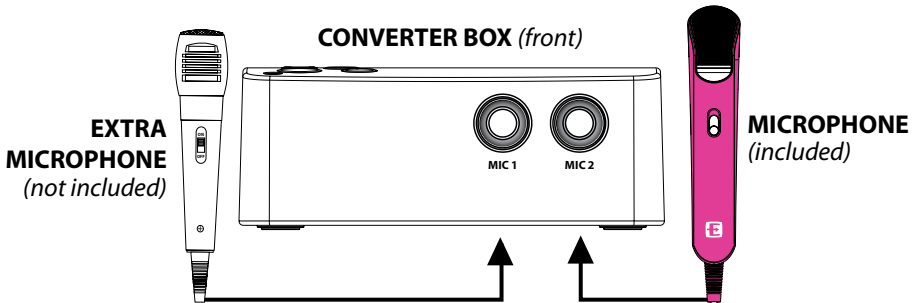


# SETUP

## Connecting the microphone(s)

The Electrohome® Debut™ Karaoke Machine has one microphone included in the package. A second microphone can be purchased separately to connect to the converter box. (EAKARMIC or EAKARM10).

Connect the microphone(s) to the MIC 1 or MIC 2 microphone inputs on the front side of the unit converter box as shown in the diagram below:



# OPERATION

## Operating the Microphone System

### Getting started:

1. Turn on the TV and DVD player.
2. Insert the karaoke DVD disc into the DVD player.
3. Slide the MICROPHONE ON/OFF BUTTON to the **ON** position.
4. Press the **ON/OFF** button on the converter box. The POWER indicator will be illuminated.
5. Adjust the VOLUME to a comfortable level by pressing **VOLUME + / -**.
6. Adjust the ECHO volume to a suitable level by pressing the **ECHO** button and selecting one of three **ECHO** effect levels – **no ECHO**, **low ECHO** and **high ECHO**.
7. Play the karaoke DVD disc in the DVD player.
8. Start to sing into the microphone.
9. Slide the MICROPHONE ON/OFF BUTTON to the **OFF** position to turn off the microphone.
10. Press the **ON/OFF** button on the converter box again to turn off the system when finished.

# TROUBLESHOOTING

| Problem                      | Solution   |
|------------------------------|--|
| Microphone is not working    | <ul style="list-style-type: none"><li>• Ensure the batteries are properly inserted.</li><li>• Ensure the cables are properly connected.</li><li>• Press the <b>ON/OFF</b> button on the converter box. The <b>POWER INDICATOR</b> should be on. If the LED is not illuminated, the batteries are low; replace the batteries.</li></ul> |
| No sound from the television | <ul style="list-style-type: none"><li>• Turn up the volume of the karaoke microphone.</li><li>• Turn up the volume of the television.</li></ul>  |

# CARE AND MAINTENANCE

## CARE AND MAINTENANCE – KARAOKE SYSTEM

1. Clean only with a dry cloth.
2. Do not expose unit to direct sunlight.
3. Do not install near any heat sources such as radiators, heat registers, stoves, or other apparatuses (incl. amplifiers) that produce heat.
4. Do not drop the unit on any hard surfaces.
5. Do not expose this apparatus to rain, moisture or water.
6. Remove the batteries when unit is not in use for a prolonged period of time.

## CARE AND MAINTENANCE – DVD DISC

- Fingerprints and dust should be carefully wiped off with a soft cloth. Wipe in a straight motion from the centre of the disc to the outside edge.
- Never use chemicals, such as record cleaning spray, antistatic sprays or fluids, benzene or thinner to clean compact discs. These chemicals will permanently damage the plastic surface of the disc.
- Always place the compact disc on the disc tray with the label facing upward. Compact discs can be played on only one side.
- To remove a disc from its storage case, press down on the centre of the case and lift the disc out, holding it carefully by the edges.
- Discs should be returned to their cases after use to protect them from dust and scratches.
- To prevent warping the disc, do not expose it to direct sunlight, high humidity or high temperatures for extended periods of time.
- Do not apply paper or write anything on either side of the disc. The inks used in some felt-tip pens may damage the surfaces of the disc.

# SPECIFICATIONS


## CONVERTER BOX

|                                     |   |
|-------------------------------------|---|
| <b>Battery Power Requirement</b>    | 3 x "AA" batteries                            |
| <b>External Adapter Requirement</b> | DC 5V, from 0.2A up to 0.5A – centre positive |
| <b>Microphone Input Size</b>        | 6.3mm (1/4") x 2 inputs                       |

## MICROPHONE

|                              |                 |
|------------------------------|-----------------|
| <b>Microphone Input Size</b> | 6.3mm (1/4")    |
| <b>Impedance</b>             | -73 dB 600 ohms |
| <b>Cord</b>                  | 10ft (3.0m)     |

# FCC STATEMENT

|  |   |
|--|---|
|  | <p>This device complies with part 15 of the FCC rules. Operation is subject to the following two conditions:</p> <ul style="list-style-type: none"><li>(1) this device may not cause harmful interference, and</li><li>(2) this device must accept any interference received, including interference that may cause undesired operation.</li></ul> <p>This class B digital apparatus complies with Canadian ICES-003.</p> |
|--|---|

**WARNING:** This equipment has been tested and is found to comply with the limits for a Class B digital device, pursuant to Part 15 of the FCC Rules. These limits are designed to provide reasonable protection against harmful interference in a residential installation. This equipment generates, uses and can radiate radio frequency energy and, if not installed and used in accordance with the instructions, may cause harmful interference to radio communications. However, there is no guarantee that interference will not occur in a particular installation. If this equipment does cause harmful interference to radio or television reception, which can be determined by turning the equipment off and on, the user is encouraged to try to correct the interference by one or more of the following measures:

- Reorient or relocate the receiving antenna
- Increase the separation between the equipment and receiver
- Connect the equipment into an outlet on a circuit different from that to which the receiver is connected
- Consult the dealer or an experienced radio/TV technician for help

**WARNING:** Changes or modifications not expressly approved by the party responsible for compliance with the FCC Rules could void the user's authority to operate this equipment.

# ELECTROHOME® WARRANTY

Thank you for choosing ELECTROHOME® Consumer Electronics Products!

ELECTROHOME gives the following express warranty to the original consumer purchaser or gift recipient for this ELECTROHOME product, when shipped in its original container and sold or distributed by ELECTROHOME or by an Authorized ELECTROHOME Dealer: ELECTROHOME warrants that this product is free, under normal use and maintenance, from any defects in material and workmanship. If any such defects should be found in this product within the applicable warranty period, ELECTROHOME shall, at its option, repair or replace the product as specified herein. Replacement parts furnished in connection with this warranty shall be warranted for a period equal to the unexpired portion of the original equipment warranty.

This warranty shall not apply to:

- A. Any defects caused or repairs required as a result of abusive operation, negligence, accident, improper installation or inappropriate use as outlined in the owner's manual.
- B. Any ELECTROHOME product tampered with, modified, adjusted or repaired by any party other than ELECTROHOME or ELECTROHOME's Authorized Service Centres.
- C. Damage caused or repairs required as a result of the use with items not specified or approved by ELECTROHOME, including but not limited to head cleaning tapes and chemical cleaning agents.
- D. Any replacement of accessories, glassware, consumable or peripheral items required through normal use of the product including but not limited to earphones, remote controls, AC adapters, batteries, stylus, trays, filters, cables, paper, cabinet, cabinet parts, knobs, buttons, baskets, stands and shelves.
- E. Any cosmetic damage to the surface or exterior that has been defaced or caused by normal wear and tear.
- F. Any damage caused by external or environmental conditions, including but not limited to transmission line/power line voltage or liquid spillage.
- G. Any product received without appropriate model, serial number and CSA /cUL /cULus /cETL /cETLus markings.
- H. Any products used for rental or commercial purposes.
- I. Any installation, setup and/or programming charges.

Should this ELECTROHOME product fail to operate during the warranty period, warranty service may be obtained upon delivery of the ELECTROHOME product together with proof of purchase and a copy of this LIMITED WARRANTY statement to an Authorized ELECTROHOME Service Centre. In-home warranty service may be provided at ELECTROHOME's discretion on any ELECTROHOME television with the screen size of 40" or larger. This warranty constitutes the entire express warranty granted by ELECTROHOME and no other dealer, service centre or their agent or employee is authorized to extend, enlarge or transfer this warranty on behalf of ELECTROHOME. To the extent the law permits, ELECTROHOME disclaims any and all liability for direct or indirect damages or losses or for any incidental, special or consequential damages or loss of profits resulting from a defect in material or workmanship relating to the product, including damages for the loss of time or use of this ELECTROHOME product or the loss of information. The purchaser will be responsible for any removal, reinstallation, transportation and insurance costs incurred. Correction of defects, in the manner and period of time described herein, constitute complete fulfillment of all obligations and responsibilities of ELECTROHOME Electronics to the purchaser with respect to the product and shall constitute full satisfaction of all claims, whether based on contract, negligence, strict liability or otherwise.

## 1 YEAR PARTS & LABOUR WARRANTY PERIODS

TO OBTAIN THE NAME AND ADDRESS OF THE NEAREST AUTHORIZED ELECTROHOME SERVICE CENTRE OR FOR MORE INFORMATION ON THIS WARRANTY

- **Contact ELECTROHOME Support by Email: [support@electrohome.com](mailto:support@electrohome.com)**
- Visit [www.ELECTROHOME.com](http://www.ELECTROHOME.com)
- Mail your inquiry to:

ELECTROHOME Customer Service, 4080 Montrose Road, Niagara Falls, ON L2H 1J9

ELECTROHOME is a registered trademark of Circus World Displays Limited. 06.2012

## GARANTIE ELECTROHOME®

Merci d'avoir choisi un produit électronique grand public ELECTROHOME®!

ELECTROHOME accorde la garantie expresse suivante à l'acheteur original de cet appareil ELECTROHOME ou à la personne qui l'a reçu en cadeau, pourvu qu'il ait été expédié et vendu ou distribué par ELECTROHOME ou un détaillant ELECTROHOME autorisé dans son emballage original. ELECTROHOME garantit que cet appareil est exempt de tout défaut de matériau et de fabrication dans des conditions d'utilisation et d'entretien normales. Si un défaut est décelé dans ce produit pendant la période de cette garantie, ELECTROHOME s'engage à le réparer, ou le cas échéant et à son entière discrétion, le remplacer. Les pièces de rechange qui lui sont fournis dans l'exécution de cette garantie sont aussi couvertes par la garantie pendant une période égale à la portion non échue de la garantie originale de l'appareil.

Cette garantie ne couvre pas :

- A. Les déficiences ni les réparations résultant d'un usage abusif, d'une négligence, d'un accident ou d'une installation inadéquate ou un usage inapproprié selon les directives fournies dans le guide d'utilisation accompagnant l'appareil.
- B. Les appareils de marque ELECTROHOME traités, modifiés, réglés, ajustés ou réparés par une entité autre que ELECTROHOME ou un centre de réparation autorisé par ELECTROHOME.
- C. Les dommages causés ni les réparations requises à l'appareil résultant de son usage avec des composants ou accessoires non recommandés ni approuvés par ELECTROHOME, incluant, sans en exclure d'autres, les cassettes et/ou produits chimiques de nettoyage.
- D. Le remplacement d'accessoires ou de pièces de verre, consommables ou des éléments périphériques nécessaires à une utilisation normale du produit, y compris mais pas limitée aux écouteurs, télécommandes, adaptateurs CA, piles, pointes de lecture, styles, plateaux, filtres, câbles, papier, boîtier, composants de boîtiers, boutons, paniers, supports et tablettes.
- E. Tout dommage apparent à la surface ou au boîtier extérieur de l'appareil et attribuable à la détérioration ou à l'usure résultant d'un usage normal.
- F. Tout dommage causé par des conditions externes ou environnementales, y compris mais pas limitée aux lignes de transmission ou de transport d'énergie ou le renversement de liquide.
- G. Tout appareil ne portant pas les identifications appropriées quant aux numéros de modèle et de série ni les étiquettes et attestations de l'ACNOR, de l'ULC, de l'ULI, de l'ETL au Canada et aux États-Unis.
- H. Tout appareil utilisé à des fins commerciales ou de location.
- I. Tous les frais d'installation, d'ajustement et/ou de programmation.

Si cet appareil de marque ELECTROHOME devient défectueux au cours de la période de garantie, une réparation peut être obtenue, conformément aux termes de cette garantie, en présentant cet appareil ELECTROHOME avec la preuve d'achat originale et une copie de cette GARANTIE LIMITEE à un centre de service autorisé par ELECTROHOME. Le service à domicile est effectué, à la discrétion de ELECTROHOME, aux téléviseurs de marque ELECTROHOME dotés d'un écran de 40 pouces et plus. Cette garantie constitue la garantie expresse entière accordée par ELECTROHOME et aucun autre détaillant, centre de service ni leur agent ou employé est autorisé à prolonger, étendre ou transférer cette garantie au nom de ELECTROHOME. Dans la mesure où la loi le permet, ELECTROHOME désavoue toute responsabilité pour des dommages ou pertes directs et indirects, tous dommages accessoires, particuliers ou consécutifs ou perte de profits résultant d'un défaut de matériel ou de fabrication de cet appareil, incluant les dommages attribuables à la perte de temps ou perte de l'utilisation de cet appareil ELECTROHOME ou de la perte de données. Il incombe à l'acheteur de défrayer les coûts encourus pour l'enlèvement, le transport et l'assurance de cet appareil. La correction de toute déficiences, de la manière et dans les délais indiqués dans la présente, constitue l'exécution complète de toutes les obligations et les responsabilités contractées par ELECTROHOME envers l'acheteur à l'égard du produit et constituer un acquittement complet de toutes les réclamations contractuelles ou attribuables à la négligence, et la responsabilité absolue ou autre.

## GARANTIE D'UN ANS POUR LES PIÈCES ET LA MAIN D'OEUVRE

POUR OBTENIR LE NOM ET L'ADRESSE DU CENTRE DE SERVICE ELECTROHOME AUTORISÉ LE PLUS PRÈS DE CHEZ VOUS OU POUR PLUS DE RENSEIGNEMENTS SUR CETTE GARANTIE :

- Contactez le service de soutien ELECTROHOME par courriel: [support@electrohome.com](mailto:support@electrohome.com)
- Visitez [www.electrohome.com](http://www.electrohome.com)
- Postez votre demande à: ELECTROHOME service à la clientèle, 4080 Montrose Road, Niagara Falls, ON L2H 1J9

ELECTROHOME est une marque déposée de Circus World Displays Limited. 06.2012

# SPÉCIFICATIONS

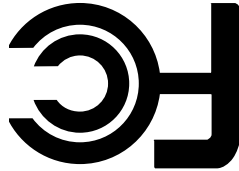
## CONVERTISSEUR

|                                      |  |
|--------------------------------------|--|
| <b>Puissance de piles</b>            | 3 x piles "AA"                                 |
| <b>Adaptateur externe</b>            | C.C. 5V, de 0,2A jusqu'à 0,5A – centre positif |
| <b>Taille d'entrée du microphone</b> | 2 entrées x 6,3mm (1/4po)                      |

## MICROPHONE

|                                      |                 |
|--------------------------------------|-----------------|
| <b>Taille d'entrée du microphone</b> | 6,3mm (1/4po)   |
| <b>Impédance</b>                     | -73 dB 600 ohms |
| <b>Cordon</b>                        | 10pi (3,0m)     |

# DÉCLARATION DE LA FCC



Le présent appareil répond aux normes prescrites au chapitre 15 des règles édictées par la FCC. Son fonctionnement est assujéti aux deux conditions suivantes:

(1) cet appareil ne doit en aucun cas être la source d'interférence préjudiciable, et (2) il doit pouvoir fonctionner normalement en dépit de l'interférence auquel il pourrait être soumis.

Cet appareil numérique de classe B est conforme à la norme Canadienne ICES-003.

**AVERTISSEMENT:** Cette unité a été testée et il a été déterminé qu'elle se conforme aux normes stipulées par l'article 15 des règlements de la FCC pour un appareil numérique de catégorie B. Ces normes sont établies afin d'offrir une protection raisonnable contre toute possibilité de brouillage préjudiciable dans une installation résidentielle. Cette unité produit, utilise et peut émettre une énergie radioélectrique, et si elle n'est pas installée et utilisée conformément aux instructions, pourrait causer un brouillage préjudiciable à la radiocommunication. Il est toutefois impossible de garantir qu'il n'y aura pas de brouillage préjudiciable dans une installation donnée. Si cette unité cause un brouillage préjudiciable à la réception radio ou télévisuelle, ce qui peut être déterminé en activant ou désactivant l'appareil, l'utilisateur est encouragé à tenter de corriger le brouillage en prenant l'une ou plusieurs des mesures proposées suivantes :

- Réorienter ou déplacer l'antenne de réception
- Augmenter la distance entre l'appareil et le récepteur
- Brancher l'appareil dans une prise de courant CA différente de celle utilisée par le récepteur
- Consulter le revendeur ou un technicien spécialisé dans le service des radios/téléviseurs pour obtenir de l'aide.

**AVERTISSEMENT:** Tout changement ou toute modification n'étant pas autorisée de façon explicite par l'organisme responsable de la conformité aux règles de la FCC est en droit de refuser l'autorisation de l'utilisateur à utiliser ce produit.

- Les empreintes digitales et la poussière doivent être soigneusement nettoyées avec un chiffon doux.
- Nettoyez en un mouvement droit du centre du disque vers l'extérieur.
- N'utilisez jamais de produits chimiques, tels que des aérosols de nettoyage pour disques, des aérosols ou fluides antistatiques, du benzène ou du diluant pour nettoyer les disques compacts. Ces produits chimiques endommageront en permanence la surface plastique du disque.
- Placez toujours le disque compact sur le plateau avec l'étiquette vers le haut. Les disques compacts peuvent être joués sur un seul côté.
- Pour retirer un disque de son boîtier, appuyez sur le centre du boîtier et soulevez le disque en le tenant délicatement par les bords.
- Les disques doivent être retournés à leur boîtier après l'utilisation afin de les protéger de la poussière et des rayures.
- Pour éviter de déformer le disque, ne l'exposez pas directement au soleil, à une forte humidité ou à des températures élevées pendant de longues périodes de temps.
- N'appliquez pas du papier ou écrire quoi que ce soit de chaque côté du disque. Les encres utilisées dans certains stylos à pointe en feutre peuvent endommager les surfaces du disque.

#### SOINS ET ENTRETIEN – DISQUE DVD

1. Nettoyez uniquement à l'aide d'un chiffon sec.
2. N'exposez pas l'appareil directement au soleil.
3. N'installez pas l'appareil à proximité d'une source de chaleur telle que radiateurs, registres de chaleur, poêles ou autre appareil (y compris les amplificateurs) qui produit de la chaleur.
4. Ne laissez pas tomber l'appareil sur une surface dure.
5. N'exposez pas cet appareil à la pluie, l'humidité ou à l'eau.
6. Retirez la pile lorsque vous n'utilisez pas l'appareil pendant une période de temps prolongée.

#### SOINS ET ENTRETIEN – SYSTÈME KARAOKE

## SOINS ET ENTRETIEN

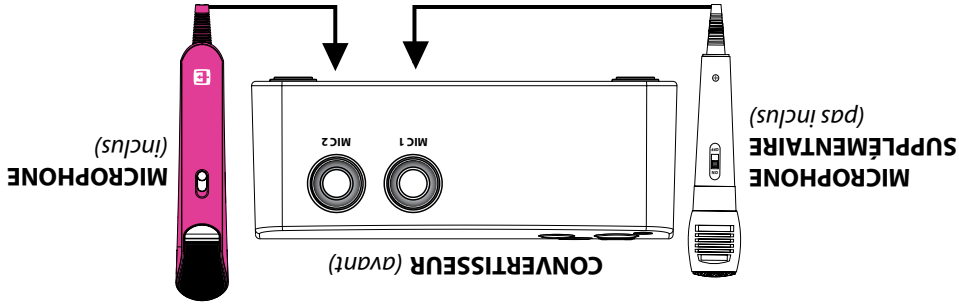
| Problème                     | Solution   |
|------------------------------|--|
| Microphone ne fonctionne pas | <ul style="list-style-type: none"> <li>• Assurez-vous que les piles sont insérées correctement.</li> <li>• Assurez-vous que les câbles sont branchés correctement.</li> <li>• Appuyez sur le bouton <b>ON/OFF (marche/arrêt)</b> sur le convertisseur. Le voyant d'alimentation sera illuminé. Si le voyant d'alimentation n'est pas illuminé, les piles sont faibles; remplacez les piles.</li> </ul> |
| Aucun son du téléviseur      | <ul style="list-style-type: none"> <li>• Augmentez le volume du microphone de karaoké</li> <li>• Augmentez le volume du téléviseur</li> </ul>  |

# CONFIGURATION

## Connexion d'un ou de deux microphones

Le microphone karaoké Debut™ Electrohome® comprend un microphone dans l'emballage. Un deuxième microphone peut être acheté séparément. (EAKARMIC ou EAKARM10).

Branchez le ou les microphones à la prise MIC 1 ou MIC 2 sur le côté avant du convertisseur, comme indiqué dans le schéma ci-dessous:



# OPÉRATION

## Utiliser le système de microphone Mise en route:

1. Allumez le téléviseur et lecteur DVD.
2. Insérez le disque DVD karaoké dans le lecteur DVD.
3. Glissez la TOUCHE MARCHÉ/ARRÊT (on/off) du micro à la position ON pour allumer le microphone.
4. Appuyez sur le bouton **ON/OFF (marche/arrêt)** sur le convertisseur. Le voyant d'alimentation sera illuminé.
5. Réglez le **VOLUME** à un niveau confortable en appuyant **VOLUME + / -**.
6. Réglez le volume d'**ECHO** à un niveau convenable en appuyant sur la touche **ECHO** et en choisissant l'un des trois niveaux d'effet **ECHO - aucun ECHO, ECHO basse et ECHO haute**.
7. Jouez le disque DVD karaoké dans le lecteur de DVD.
8. Commencez à chanter.
9. Glissez la TOUCHE MARCHÉ/ARRÊT (on/off) du micro à la position OFF pour éteindre le microphone.
10. Appuyez sur le bouton **ON/OFF (marche/arrêt)** sur le convertisseur pour désactiver le système lorsque vous avez terminé.



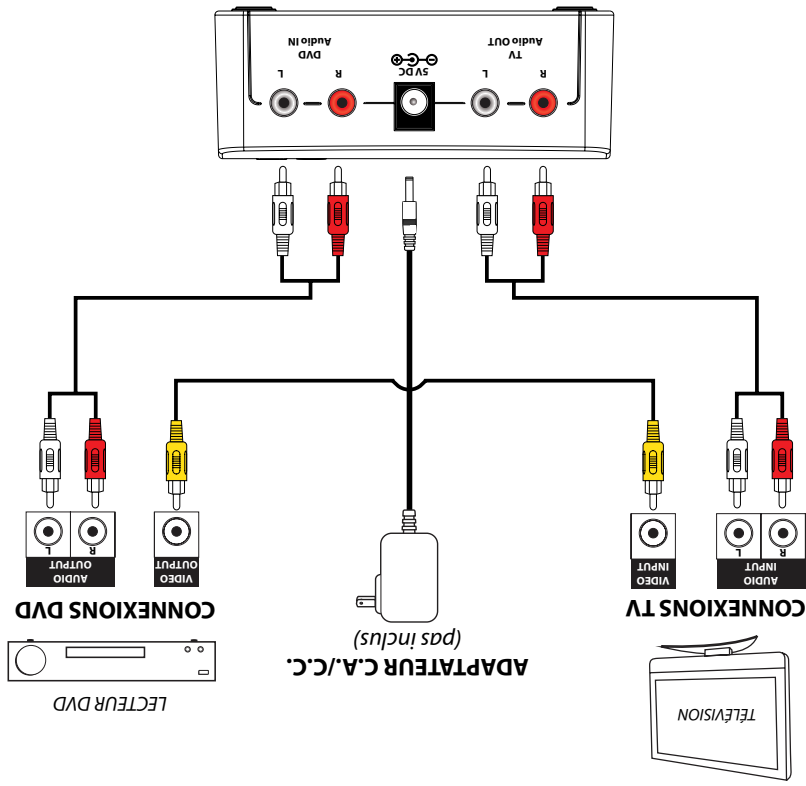
Le microphone karaoké Debut™ Electrohome® a deux ensembles de câbles composite audio RCA (avec fiches ROUGE et BLANCHE RCA) et un ensemble de câble composite vidéo RCA (fiche JAUNE RCA). Veuillez suivre les instructions et le schéma ci-dessous pour configurer votre système.

## Connexion du câble RCA à un téléviseur:

1. Branchez le câble composite audio RCA à la prise **AUDIO IN L/R (entrée audio G/D)** du téléviseur.
2. Branchez l'autre bout du câble composite audio RCA à la prise **TV AUDIO OUT** du convertisseur.
3. Branchez le câble composite vidéo RCA à la prise **VIDEO IN (entrée vidéo)** du téléviseur.

## Connexion du câble RCA à un lecteur DVD:

1. Branchez les câbles composite audio RCA à la prise **AUDIO OUT L/R (sortie audio G/D)** du lecteur DVD.
2. Branchez l'autre bout du câble composite audio RCA à la prise **DVD AUDIO IN** du convertisseur.
3. Branchez le câble composite vidéo RCA à la prise **VIDEO OUT (sortie vidéo)** du lecteur DVD.



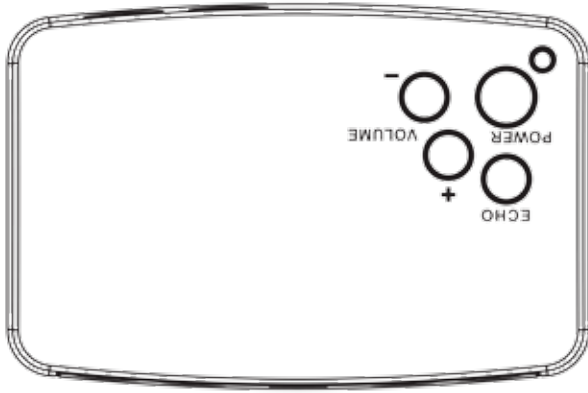
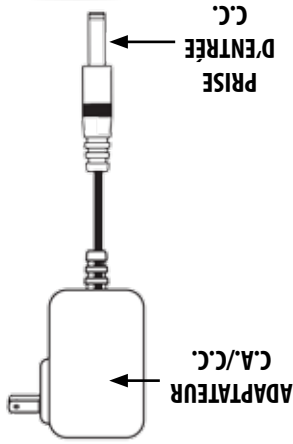
# CONFIGURATION

## CONNEXION D'UN ADAPTATEUR SECURE (pas inclus)

Le convertisseur peut également être alimenté par la connexion d'un adaptateur secteur (vendu séparément). Vous pouvez acheter n'importe quel adaptateur externe ca./c.c. pour brancher à ce produit, selon les spécifications ci-dessous. L'adaptateur externe doit être certifié UL et conforme à toutes les normes de sécurité appropriées.

CARACTÉRISTIQUES DE FONCTIONNEMENT DE L'ADAPTATEUR DOIVENT ÊTRE:

- TENSION DE SORTIE : 5V DC
- COURANT DE SORTIE : de 0.2A jusqu'à 0.5A
- POLARITÉ DE LA PRISE : Centre positif

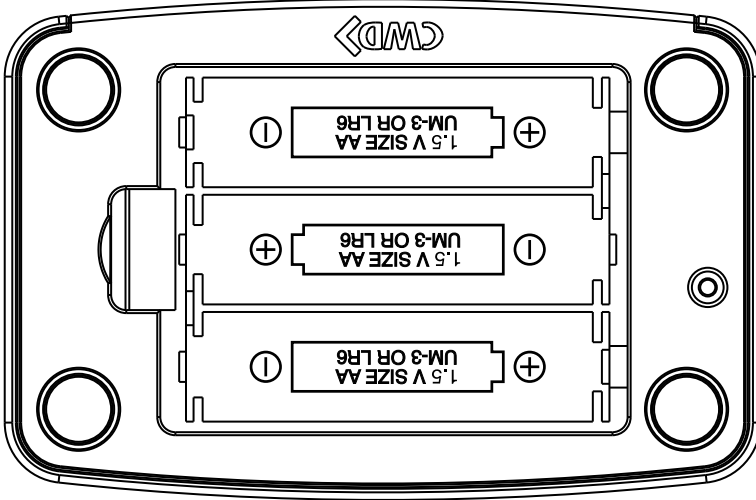


# CONFIGURATION

Le microphone karaoke Debut™ Electrohome® est alimenté par 3 x piles AA (incluses). Vous pouvez également utiliser un adaptateur secteur C.C. 5V, de 0.2A jusqu'à 0.5A (pas inclus).

## INSTALLER LES PILES

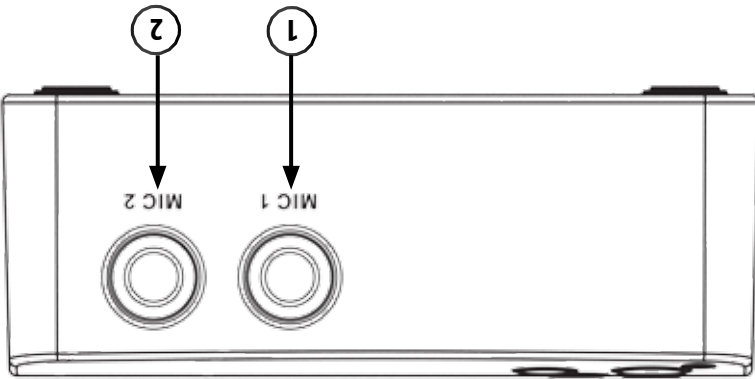
1. Retirez le couvercle du compartiment à piles en appuyant sur le loquet et en enlevant le couvercle.
2. Insérez trois (3) piles "AA" neuve, veillant à ce que la polarité des piles correspond à la polarité indiquée dans le compartiment à piles.
3. Fermez le couvercle du compartiment à piles.



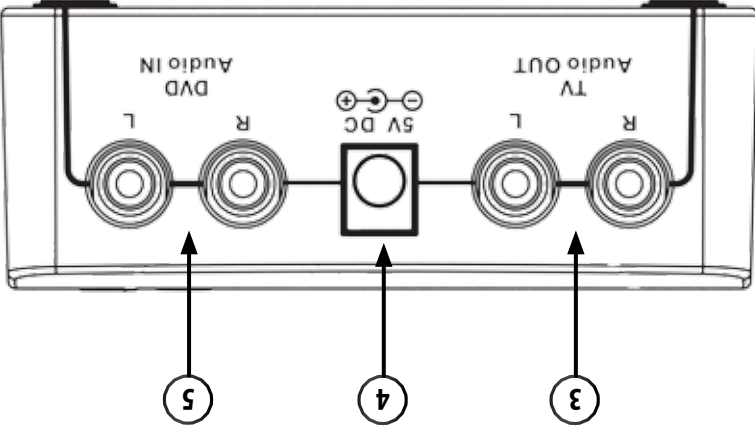
## Veillez noter:

- Les piles doivent être installées par un adulte.
- Les piles alcalines sont recommandées.
- Veuillez respecter la polarité des piles lors de l'installation dans le compartiment à pile. Une pile inversée peut endommager le microphone.
- N'UTILISEZ PAS de piles rechargeables, mélanger différents types de piles ou mélanger des piles neuves et usagées.
- Retirez les piles de l'appareil lorsque vous n'utilisez pas l'appareil pour une période de temps prolongée, pour éviter des dommages à l'appareil causés par une pile qui fuit.
- Ne provoquez pas de court-circuits aux bornes d'alimentation des piles.
- Les piles épuisées doivent être retirées de l'appareil.
- NE PAS exposer les piles à des flammes ou à une chaleur excessive car elles peuvent exploser, se rompre et présenter des risques pour votre sécurité.

CONVERTISSEUR - CÔTÉ AVANT



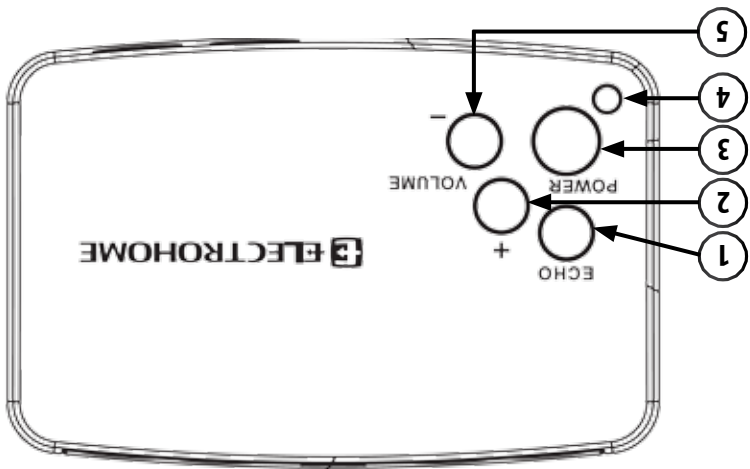
CONVERTISSEUR - CÔTÉ ARRIÈRE



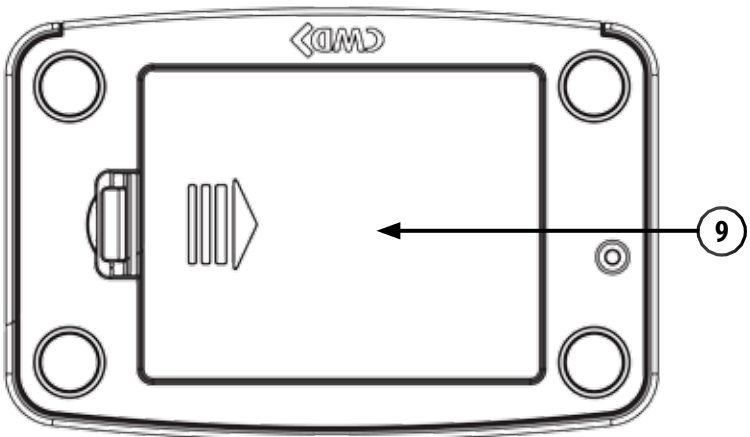
1. ENTRÉE MICROPHONE 1
2. ENTRÉE MICROPHONE 2
3. PRISE RCA (Sortie TV Audio)
4. PRISE D'ENTRÉE C.C. (Pour connecter un adaptateur externe, pas inclus)
5. PRISE RCA (Entrée DVD Audio)

# TOUCHES ET CONNEXIONS

## CONVERTISSEUR – HAUT



## CONVERTISSEUR – DESSOUS



1. Touche ECHO
2. VOLUME MICROPHONE +
3. INTERRUPTEUR
4. VOYANT D'ALIMENTATION
5. VOLUME MICROPHONE -
6. Couvrerde du compartiment à piles



TOUCHE MARCHÉ/ARRÊT  
(on/off) DU MICRO

# INTRODUCTION

Merci d'avoir acheté le microphone karaoké Debut™ Electrohome®. Faites ressortir la vedette en vous Transformez n'importe quelle télévision ou lecteur DVD en une machine à karaoké et une source inépuisable de plaisir!

## TABE DES MATIÈRES

|    |  |
|----|--|
| 2  | TABE DES MATIÈRES                            |
| 2  | CE QUI EST INCLUS                            |
| 3  | TOUCHES ET CONNEXIONS                        |
| 6  | CONFIGURATION                                |
| 6  | INSTALLER LES PILES                          |
| 7  | CONNEXION D'UN ADAPTEUR SECTEUR (pas inclus) |
| 8  | CONNEXION DU CÂBLE RCA À UN TÉLÉVISEUR       |
| 8  | CONNEXION DU CÂBLE RCA À UN LECTEUR DVD      |
| 9  | CONNEXION D'UN OU DE DEUX MICROPHONES        |
| 9  | OPERATION                                    |
| 9  | UTILISER LE SYSTÈME DE MICROPHONE            |
| 10 | DÉPANNAGE                                    |
| 10 | SOINS ET ENTRETIEN                           |
| 10 | SPECIFICATIONS                               |
| 11 | DÉCLARATION DE LA FCC                        |
| 11 | GARANTIE ELECTROHOME                         |

- Microphone dynamique
- 3 x Piles "AA"
- Convertisseur karaoké
- 2 x Câbles composite audio RCA
- 1 x Câble composite vidéo RCA
- Disque DVD avec 30 chansons
- Manuel d'instruction
- Garantie d'un an
- Soutien à la clientèle en direct pour la vie

## CE QUI EST INCLUS

**AVERTISSEMENT :** POUR LA SÉCURITÉ DE VOTRE ENFANT, JETEZ TOUS LES MATÉRIAUX D'EMBALLAGE TELS QUE LES RUBANS ADHÉSIFS, LES FEUILLES DE PASTIQUE, LES ATTACHES ET LES ÉTIQUETTES. ILS NE FONT PAS PARTIE DE CET ARTICLE.

**NOTE:** IL EST CONSEILLÉ DE CONSERVER CE MANUEL D'UTILISATION CAR IL CONTIENT DES INFORMATIONS IMPORTANTES.

# MACHINE À KARAOKÉ DEBUT™ GUIDE D'UTILISATION



**EAKAR101**

Merci d'avoir fait l'achat de cet appareil Electrohome®. Veuillez lire ce manuel attentivement avant de faire fonctionner l'appareil pour vous assurer de l'utiliser correctement. Conservez ce manuel dans un endroit sûr afin de pouvoir vous y référer au besoin.