

AEG

34942G/35940G/35941G/35944G

Gas hob
Table de cuisson
Kochmulde
Gaskookplaat
Piano di cottura

AUS ERFABHRUNG GUT

Operating and Installation Instructions (GB)
Notice d'utilisation et d'encastrement (FR/BE)
Gebrauchs- und Einbauanweisung (BE)
Gebruiksaanwijzing
en Installatievoorschrift (NL/BE)
Istruzioni per l'uso e l'installazione (IT)

Important Safety Information

You **MUST** read these warnings carefully before installing or using the hob. If you need assistance, contact our Customer Care Department on 08705 350 350

Installation

- This hob must be installed by qualified personnel, according to the manufacturer's instructions and to the relevant British Standards.
- Any gas installation must be carried out by a registered CORGI installer.
- Remove all packaging before using the hob.
- Ensure that the gas and electrical supply complies with the type stated on the rating plate, located near the gas supply pipe.
- Do not attempt to modify the hob in any way.

Child Safety

- This hob is designed to be operated by adults. Do not allow children to play near or with the hob.
- The hob gets hot when it is in use. Children should be kept away until it has cooled.
- Children can also injure themselves by pulling pans or pots off the hob.

During Use

- This hob is intended for domestic cooking only. It is not designed for commercial or industrial purposes.

- When in use a gas cooking hob will produce heat and moisture in the room in which it has been installed. Ensure there is a continuous air supply, keeping air vents in good condition or installing a cooker hood with a venting hose.
- When using the hob for a long period of time, the ventilation should be improved, by opening a window or increasing the extractor speed.
- Do not use this hob if it is in contact with water. Do not operate the hob with wet hands.
- Ensure the control knobs are in the 'OFF' position when not in use.
- When using other electrical appliances, ensure the cable does not come into contact with the hot surfaces of the cooking appliance.
- Unstable or misshapen pans should not be used on the hob as unstable pans can cause an accident by tipping or spillage.
- Never leave the hob unattended when cooking with oil and fats.
- Never use plastic or aluminium foil dishes on the hob.
- Perishable food, plastic items and aerosols may be affected by heat and should not be stored above or below the hob unit.

Service

- This hob should only be repaired or serviced by an authorised Service Engineer and only genuine approved spare parts should be used.

Environmental Information

- After installation, please dispose of the packaging with due regard to safety and the environment.
- When disposing of an old appliance, make it unusable, by cutting off the cable.

Keep this instruction book for future reference and ensure it is passed on to any new owner.

These instructions are only valid for countries whose identification symbols are shown on the inside cover of this instruction booklet and on the appliance itself.

Contents

Important Safety Information	2
Instructions for the User	6
Description of the Hob	6
Operation	7
Maintenance and Cleaning	8
The Hob Top	8
Pan Supports	8
The Burners	8
Something Not Working?	9
Service and Spare Parts	10
Guarantee Conditions	11
Instructions for the Installer	12
Engineers technical data	12
Important safety requirements	14
Location	14
Installation	15
Gas Connection	16
Cut Out Size	17
Building In	17
Building over a cupboard or drawer	17
Building over a kitchen unit with door	18
Fitting the hob to the worktop	19
Electrical connections	20
Permanent Connection	21
Wiring diagram	21
Fault Finding	22
Preliminary Electrical Systems Check	22
Ignition System / Gas Ignition	24
Commissioning	25
Pressure Testing	25
Servicing	26
Conversion from Natural Gas to LPG	27

Guide to Use the instructions

The following symbols will be found in the text to guide you throughout the Instructions:



Safety Instructions



Step by step instructions for an operation

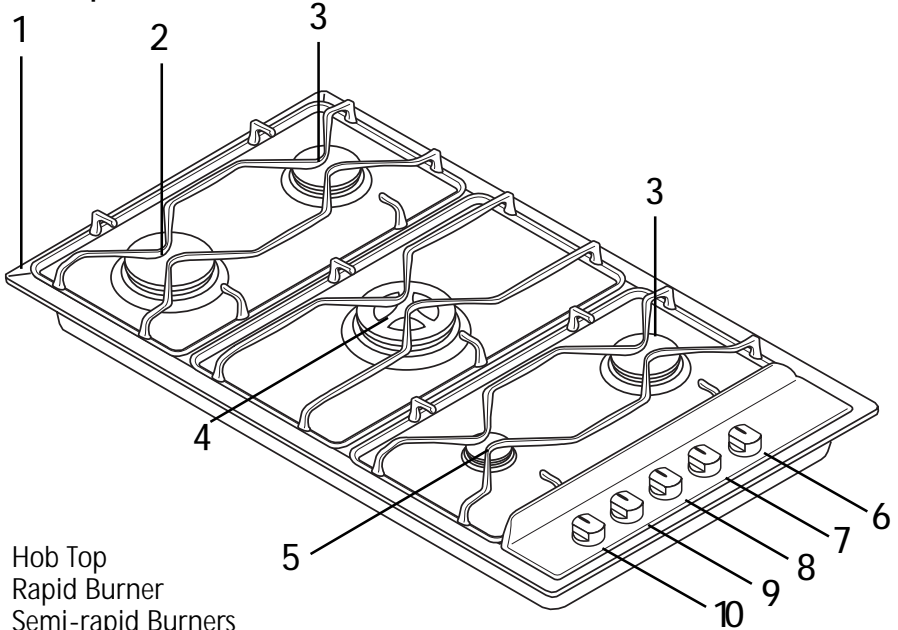


Hints and Tips



This appliance is manufactured according to the following EEC directives:
73/23 EEC - 90/683 EEC - 93/68 EEC -
89/336 EEC - 90/396 EEC,
current edition.

Description of the Hob (Mod. 34942 G)



1. Hob Top
2. Rapid Burner
3. Semi-rapid Burners
4. Double-crown Burner
5. Auxiliary Burner
6. Control knob for back left burner (semi-rapid)
7. Control knob for back right burner (semi-rapid)
8. Control knob for front right burner (auxiliary)
9. Control knob for central burner (double-crown)
10. Control knob for front left burner (rapid)

INSTALLATION



Any gas installation must be carried out by a registered CORGI installer, and in accordance with existing rules and regulations.

The relevant instructions are to be found in the second section of this manual.

Please, ensure that, once the hob is installed, it is easily accessible for the engineer in the event of a breakdown.

WHEN THE HOB IS FIRST INSTALLED

Once the hob has been installed, it is important to remove any protective materials, which were put on in the factory.

Operation

HOB BURNERS

To light a burner, turn the relevant control knob anticlockwise to the maximum position (★🔥), then push it down to ignite the burner. Upon, ignition, adjust the flame as required.

If the burner does not ignite, turn the control knob to zero, and try again.



When switching on the mains, after installation or a power cut, it is quite normal for the spark generator to be activated automatically.

To ensure maximum burner efficiency, you should only use pots and pans with a flat bottom fitting the size of the burner used (see table).

Burner	minimum diameter	maximum diameter
Double-crown	180 mm.	260 mm.
Large (rapid)	180 mm.	260 mm.
Medium (semi-rapid)	120 mm.	220 mm.
Small (Auxiliary)	80 mm.	160 mm.



As soon as a liquid starts boiling, turn down the flame so that it will barely keep the liquid simmering.



If you use a saucepan which is smaller than the recommended size, the flame will spread beyond the bottom of the vessel, causing the handle to overheat.

Take care when frying food in hot oil or fat, as the overheated splashes could easily ignite

If the control knobs become difficult to turn, please contact your local AEG Service Force Centre.

Maintenance and Cleaning



Before any maintenance or cleaning can be carried out, you must DISCONNECT the hob from the electricity supply.

The hob is best cleaned whilst it is still warm, as spillage can be removed more easily than if it is left to cool.

The Hob Top

Regularly wipe over the hob top using a soft cloth well wrung out in warm water to which a little washing up liquid has been added. Avoid the use of the following:

- household detergent and bleaches;
- impregnated pads unsuitable for non-stick saucepans;
- steel wool pads;
- bath/sink stain removers.

Should the hob top become heavily soiled, it is recommended that a cleaning product such as Hob Brite or Bar Keepers Friend is used.

Pan Supports

When washing the pan supports by hand, take care when drying them as the enamelling process occasionally leaves rough edges. If necessary, remove stubborn stains using a paste cleaner.

The Burners

The burner caps and crowns can be removed for cleaning.

Wash the burner caps and crowns using hot soapy water, and remove marks with a mild paste cleaner. A well moistened soap impregnated steel wool pad can be used with caution, if the marks are particularly difficult to remove.

After cleaning, be sure to wipe dry with a soft cloth.

Something Not Working?

If the hob is not working correctly, please carry out the following checks before contacting your local AEG Service Force Centre.

SYMPTOM	SOLUTION
<ul style="list-style-type: none">■ There is no spark when lighting the gas	<ul style="list-style-type: none">◆ Check that the unit is plugged in and the electrical supply is switched on◆ Check that the RCCB has not tripped (if fitted)◆ Check the mains fuse has not blown◆ Check the burner cap and crown have been replaced correctly, e.g. after cleaning.
<ul style="list-style-type: none">■ The gas ring burns unevenly	<ul style="list-style-type: none">◆ Check the main jet is not blocked and the burner crown is clear of food particles.◆ Check the burner cap and crown have been replaced correctly, e.g. after cleaning.

If after all these checks, your hob still does not operate correctly, contact your local AEG Service Force Centre.

Please note that it will be necessary to provide proof of purchase for any in-guarantee service calls.

In-guarantee customers should ensure that the above checks have been made as the engineer will make a charge if the fault is not a mechanical or electrical breakdown.

Service and Spare Parts

If you require spare parts or an engineer contact your local Service Force Centre by telephoning:

0870 5 929 929

Your call will be routed to the your local Service Force Centre.

When you contact the Service Centre, they will need the following information:

1. Your name, address and post code.
2. Your telephone number
3. Clear and concise details of the fault
4. The model and the serial number (see rating label on the back of this instruction booklet)
5. Date of purchase

CUSTOMER CARE

For general enquiries concerning your AEG appliance and for further information on AEG products, contact our Customer Care Department by letter or telephone as follows:

Customer Care Department
AEG Domestic Appliances
55-77 High Street
Slough
Berkshire
SL1 1DZ
Tel : 08705 350 350

Guarantee Conditions

AEG offer the following guarantee to the first purchaser of this appliance.

1. The guarantee is valid for 12 months commencing when the appliance is handed over to the first retail purchaser, which must be verified by purchase invoice or similar documentation.
The guarantee does not cover commercial use.
2. The guarantee covers all parts or components which fail due to faulty workmanship or faulty materials. The guarantee does not cover appliances where defects or poor performance are due to misuse, accidental damage, neglect, faulty installation, unauthorised modification or attempted repair, commercial use or failure to observe requirements and recommendations set out in the instruction book.
This guarantee does not cover such parts as light bulbs, removable glassware or plastic.
3. Should guarantee repairs be necessary the purchaser must inform the nearest AEG Service Force Centre (manufacturer's service or authorised agent). AEG reserves the right to stipulate the place of the repair (i.e. the customer's home, place of installation or AEG workshop).
4. The guarantee or free replacement includes both labour and material.
5. Repairs carried out under guarantee do not extend the guarantee period for the appliance. Parts removed during guarantee repairs become property of AEG.
6. The purchaser's statutory rights are not affected by this guarantee.

European Guarantee

If you should move to another country within Europe then your guarantee moves with you to your new home subject to the following qualifications:

- * The guarantee starts from the date you first purchased your product.
- * The guarantee is for the same period and to the same extent for labour and parts as exist in the new country of use for this brand or range of products.
- * This guarantee relates to you and cannot be transferred to another user.
- * Your new home is within the European Community (EC) or European Free Trade Area.
- * The product is installed and used in accordance with our instructions and is only used domestically, i.e. a normal household
- * The electrical supply complies with the specification given in the rating label.
- * The product is installed taking into account regulations in your new country.

Before you move, please contact your nearest Customer Care centre, listed below, to give them details of your new home. They will then ensure that the local Service Organisation is aware of your move and able to look after you and your appliances.

France	Senlis	+33 (0)3 44 62 29 29
Germany	Nürnberg	+49 (0)911 323 2600
Italy	Pordenone	+39 (0)1678 47053
Sweden	Stockholm	+46 (0)8 738 7910
UK	Slough	+44 (0)1753 219899

Instructions for the Installer

Engineers technical data

OVERALL DIMENSIONS	Width:	860 mm.
	Depth:	500 mm.
	Height:	88 mm.
	Weight:	8 Kg.
CUT OUT DIMENSIONS	Width:	830 mm.
	Depth:	470 mm.
	Thickness:	30 mm.
SUPPLY CONNECTIONS	Gas:	RC 1/2 inch (1/2 inch male) Rear right hand corner
	Electric:	230-240V 50Hz supply, 3 core flexible cable with non rewirable plug fitted with a 3 amp cartridge fuse.
IGNITION HT SPARK	Spark Generator	Ispra Control's BF 50066 - 230-240V 0.6 YA T120
	Spark Gap :	Fixed
HEAT INPUT		
Rear Left Burner (semi rapid)		2.0 kW (6824 BTU/HR)
Front Left Burner (rapid)		3.0 kW Natural Gas (10236 BTU/HR) 2.8 kW L.P.G. (9554 BTU/HR)
Central Burner (double-crown)		3,5 kW (11942 BTU/HR)
Rear Right Burner (semi rapid)		2.0 kW (6824 BTU/HR)
Front Right Burner (auxiliary)		1.0 kW (3412 BTU/HR)
APPLIANCE CLASS		3
APPLIANCE CATEGORY		I12H3+
GAS SUPPLY		Natural gas G20 / 20mbar

TYPE OF GAS	BURNER	RAPID (large)		SEMI-RAPID (medium)		AUXILIARY (small)		DOUBLE CROWN	
	POSITION	MAX	MIN	MAX	MIN	MAX	MIN	MAX	MIN
NATURAL GAS 20 mbar VALUE = 37.78 MJ/m ³ Ws - 50.7 MJ/ m ³	NOMINAL THERMAL POWER kW	3.0	0.65	2.0	0.45	1.0	0.33	3.5	1.2
	NOMINAL FLOW RATE m ³ /h	0.286	0.057	0.190	0.038	0.095	0.028	0.333	0.114
	NOZZLE REFERENCE 1/100 mm	119	Adjust.	96	Adjust.	70	Adjust.	136	Adjust.
LPG GAS 28-30/37 mbar VALUE = 49.92 MJ/Kg	NOMINAL THERMAL POWER kW	2.8	0.65	2.0	0.45	1.0	0.33	3.5	1.2
	NOMINAL FLOW RATE g/h	202	43.5	144	29	72	21,5	252	86
	NOZZLE REFERENCE 1/100 mm	86	40	71	32	50	28	93	56

Burner	Dia. Tap By-pass 1/100 mm	Tap colour
Auxiliary	28	Red/Red
Semi-rapid	32	Blue/Blue
Rapid	40	Black/Black
Double-Crown	56	Black/Red
Aeration adjustment none		

Important safety requirements

This hob must be installed in accordance with the Gas Safety (Installation and Use) Regulations (Current Edition) and the IEE Wiring Regulations (Current Edition).

Detailed recommendations are contained in the following British Standards Codes Of Practice: B.S. 6172/ B.S. 5440, Par. 2 and B.S. 6891 Current Editions.

The hob should not be installed in a bed sitting room with a volume of less than 20 m³. If it is installed in a room of volume less than 5 m³ an air vent of effective area of 110 cm² is required. If it is installed in a room of volume between 5 m³ and 10 m³ an air vent of effective area of 50 cm² is required, while if the volume exceeds 11 m³ no air vent is required.

However, if the room has a door which opens directly to the outside no air vent is required even if the volume is between 5 m³ and 11 m³.

If there are other fuel burning appliances in the same room, B.S. 5440 Part 2 Current Edition, should be consulted to determine the requisite air vent requirements.

Location

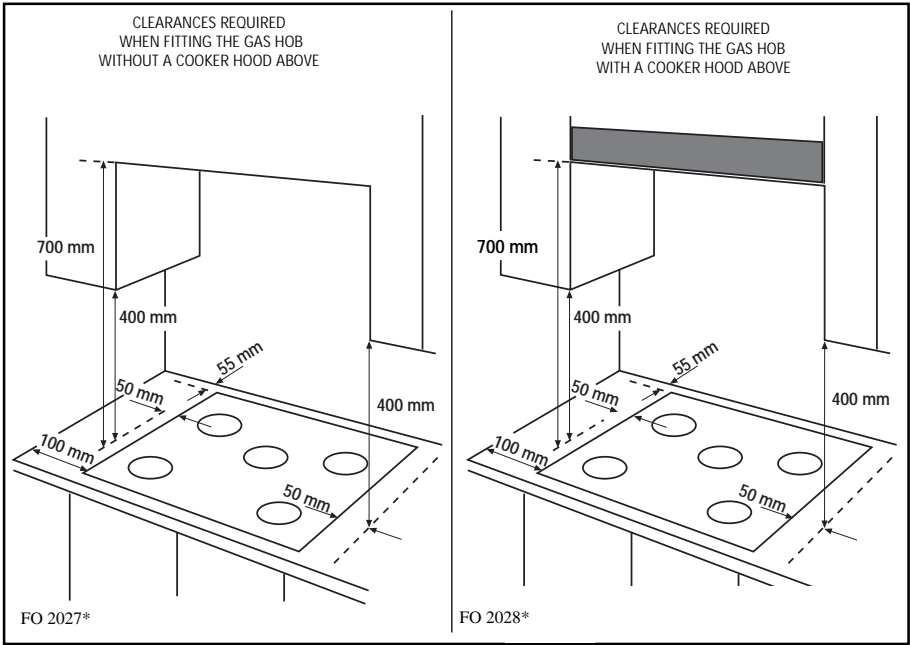
The hob may be located in a kitchen, a kitchen/diner or bed sitting room, but not in a bathroom or shower room.

Before making the cut out in the worktop ensure that there is a minimum distance of 55 mm. between the rear edge of the hob and the wall.

A minimum distance of 100 mm. must be left between the side edges of the hob and any adjacent cabinets or walls.

The minimum distance combustible material can be fitted above the hob in line with the edges of the hob is 400 mm. If it is fitted below 400 mm. a space of 50 mm. must be allowed from the edges of the hob.

The minimum distance combustible material can be fitted directly above the hob is 700 mm.



Installation

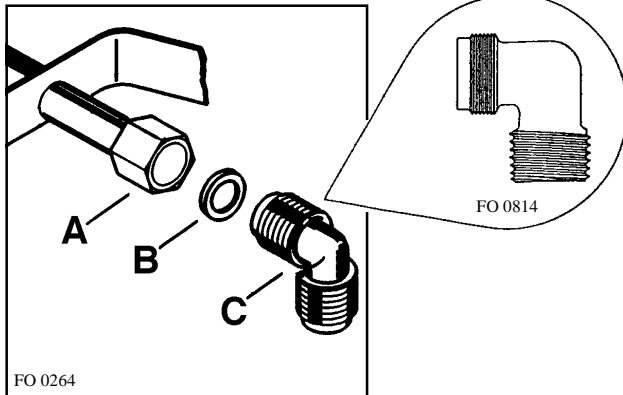
IMPORTANT



This hob must be installed by qualified personnel to the relevant British Standards.

Any gas installation must be carried out by a CORGI registered installer.

The manufacturer will not accept liability, should the above instructions or any of the other safety instructions incorporated in



- A) End of shaft with nut
- B) Washer
- C) Elbow

this book be ignored.

On the end of the shaft, which includes the GJ 1/2" threaded elbow, adjustment is fixed so that the washer is fitted between the components as shown in the diagram. Screw the parts together without using excessive force.

Gas Connection

Connection to the gas supply should be with either rigid or semi-rigid pipe, i.e. steel or copper.

The connection should be suitable for connecting to RC 1/2 (1/2 BSP male thread).

When the final connection has been made, it is essential that a thorough leak test is carried out on the hob and installation.

Ensure that the main connection pipe does not exert any strain on the hob.

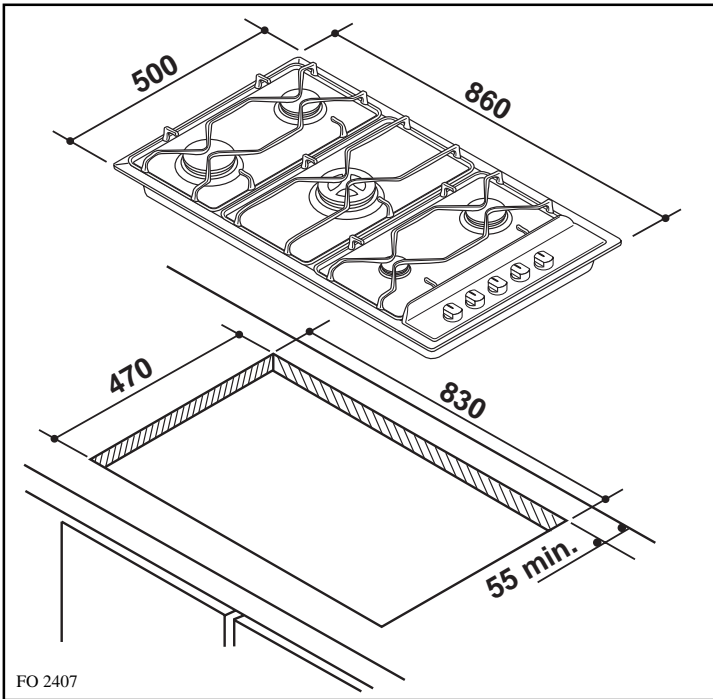


It is important to install the elbow correctly, with the shoulder on the end of the thread, fitted to the hob connecting pipe.

Failure to ensure the correct assembly will cause leakage of gas.

Cut Out Size

The dimensions of the cut-out are given in the diagram.

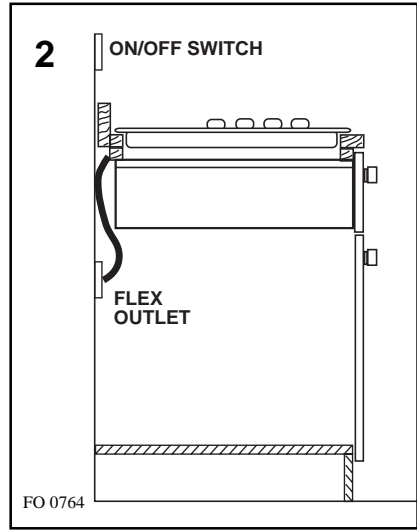
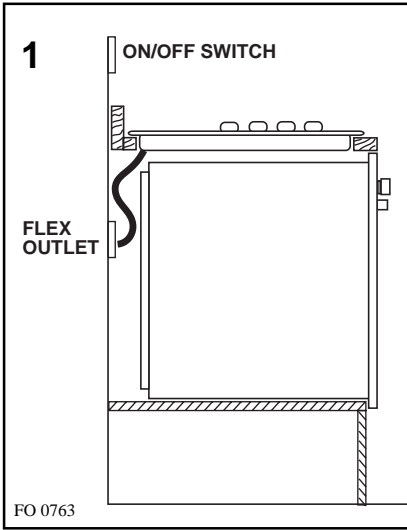


Building In

Building over a cupboard or drawer

If the hob is to be installed above a cupboard or drawer it will be necessary to fit a heat resistant board below the base of the hob on the underside of the work surface.

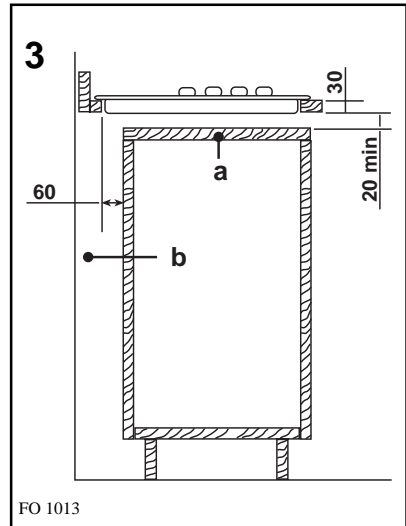
It is also recommended to carry out the electrical connection to the hob as shown in diagrams 1 and 2 (see next page).



Building over a kitchen unit with door

Proper arrangements must be taken in designing the furniture unit, in order to avoid any contact with the bottom of the hob which can be heated when it is operated. The recommended solution is shown in diagram 3.

The panel fitted under the hob ("a") should be easily removable to allow easy access if technical assistance is needed. The space behind the kitchen unit ("b") can be used for connections.

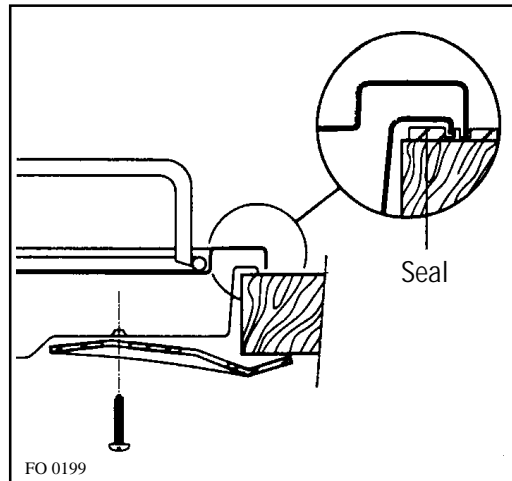


Dimensions are given in mm.

Fitting the hob to the worktop

Before fitting the hob into the cut out, a sealing gasket supplied with the hob must be fitted to the edge of the cut out. It is essential that no gaps are left in this seal in order to prevent spillage near the hob seeping into the cabinet below.

- 1) Place the sealing gasket all around the edge of the cut out.
- 2) Place the hob into the cut out and secure it by means of the relevant fixing clamps and screws, as shown in the diagram.
- 3) Remove the excess seal



The edge of the hob forms a double seal which prevents the ingress of liquids.

Electrical connections



Any electrical work required to install this hob should be carried out by a qualified electrician or competent person, in accordance with the current regulations.

THIS HOB MUST BE EARTHED.

The manufacturer declines any liability should these safety measures not be observed.

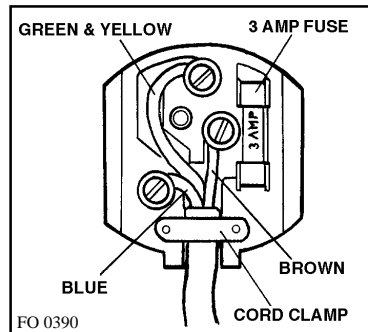
This hob is designed to be connected to a 230-240V 50Hz AC electrical supply.

Before switching on, make sure the electricity supply voltage is the same as that indicated on the hob rating plate. The rating plate is located on the bottom of the hob. A copy is attached on the back cover of this book.

The hob is supplied with a 3 core flexible supply cord incorporating a 3amp plug fitted. In the event of having to change the fuse, a 3amp ASTA approved (BS 1362) fuse must be used.

Should the plug need to be replaced for any reason, the wires in the mains lead are coloured in accordance with the following code:

Green and Yellow - Earth
Blue - Neutral
Brown - Live



- 1) Connect the green and yellow (earth) wire to the terminal in the plug which is marked with the letter 'E' or the earth symbol \perp or coloured green and yellow.
- 2) Connect the blue (neutral) wire to the terminal in the plug which is marked with the letter 'N' or coloured black.
- 3) Connect the brown (live) wire to the terminal in the plug which is marked with the letter 'L' or coloured red.

Upon completion there must be no cut, or stray strands of wire present and the cord clamp must be secure over the outer sheath.

In the event of having to change the fuse, a 3amp ASTA approved (BS 1362) fuse must be used.



A cut off plug inserted into a 13 amp socket is a serious safety (shock) hazard. Ensure that the cut off plug is disposed of safely.

Permanent Connection

In the case of a permanent connection, it is necessary that you install a double pole switch between the hob and the electricity supply (mains), with a minimum gap of 3 mm. between the switch contacts and of a type suitable for the required load in compliance with the current electric regulations.

The switch must not break the yellow and green earth cable at any point.



Ensure that the hob supply cord does not come into contact with surfaces with temperatures higher than 50 deg. C.

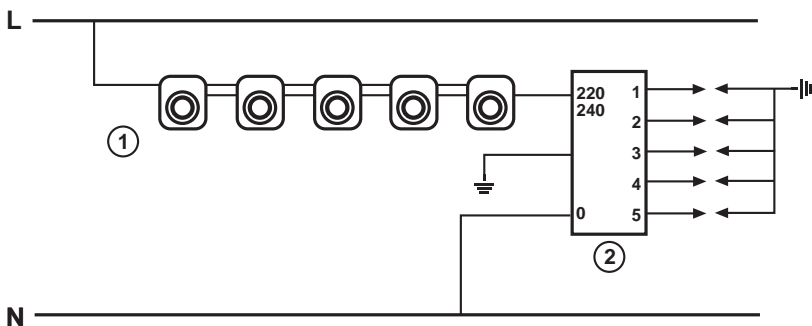
Replacement of the cable

The connection of the voltage cable to the appliance's terminal block is of type "Y". This means that its replacement requires the specific equipment of a technician.

In this case, only cable type H05RR-F must be used. The cable section must be suitable to the voltage and the working temperature.

The yellow/green earth wire must be approximately 2 cm. longer than the phase wires.

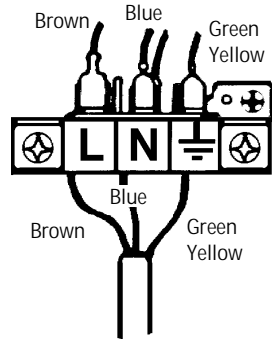
Wiring diagram



1. TAPS IGNITOR SWITCHES
2. IGNITOR UNIT

Fault Finding

Preliminary Electrical Systems Check



START
Isolate appliance
and carry out:
A: Earth Continuity
check.

NO **YES**

Carry out:
C: Polarity check.

Carry out:
D: Resistance to
Earth check.

Has inlet fuse blown?

NO

YES

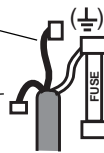
Electricity supply
should now be
satisfactory.

Inlet wiring
faulty.
Rectify any
fault.

PLUG (with cover removed)

Earth Wire
Green/Yellow

Neutral Wire
Blue



SOCKET
(face view)

E (⚡)

N

L

Isolate appliance and
carry out:
B: Insulation check.
Rectify any fault
including replacing
fuses as necessary.

A. EARTH CONTINUITY CHECK

Appliance must be electrically disconnected - meter set on Ω (Ohms) x 1 scale and adjust zero if necessary.

- Test leads from any appliance earth point to earth pin on plug. Resistance should be less than 0.1 Ω (Ohm), check all earth wires for continuity and all contacts are clean and tight.

B. INSULATION CHECK

Appliance electrically disconnected, all switches ON.

- a) meter set on Ω (Ohms) x 1 scale.

Test leads from L to N in appliance terminal block. If meter reads «0» then there is a short circuit.

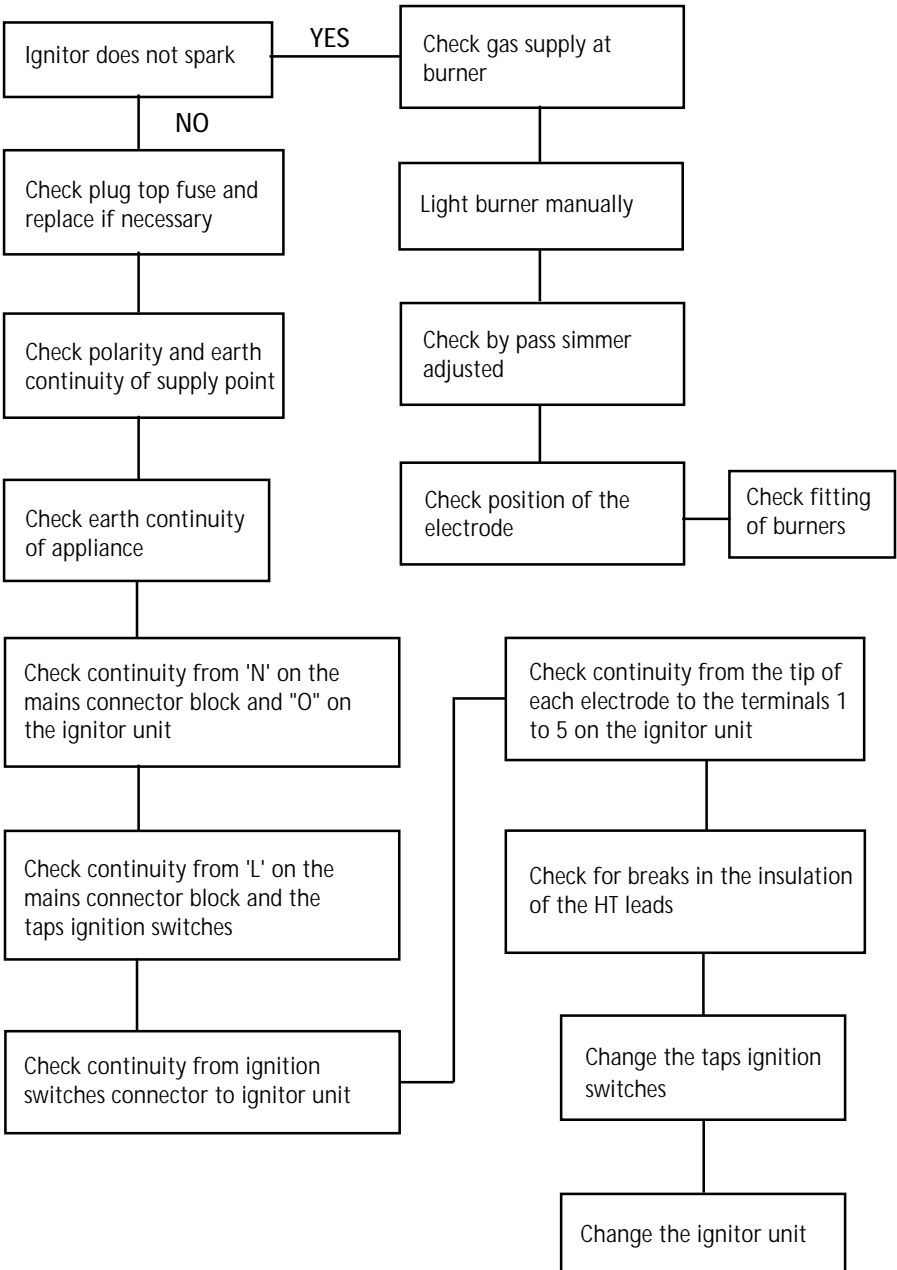
- b) meter set on Ω (Ohm) x 100 scale.

Repeat test with leads from L to E. If meter reads less than ∞ (infinity) there is a fault.

NOTE - Should it be found that the fuse has failed but no fault is indicated - a detailed continuity check (i.e. by disconnecting and checking each component) is required to trace the faulty component.

It is possible that a fault could occur as a result of local burning/arcing but no fault could be found under test. However a detailed visual inspection should reveal evidence of burning around the fault.

Ignition System / Gas Ignition



Commissioning

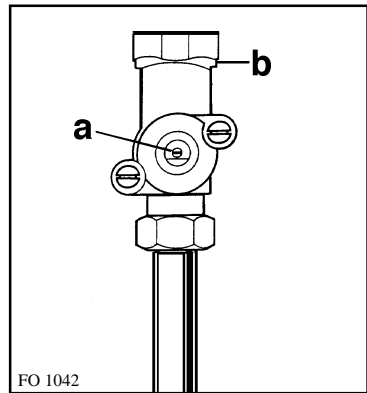
When the hob has been fully installed it will be necessary to check the minimum flame setting. To do this, follow the procedure below.

- 1) Turn the gas tap to the MAX position and ignite.
- 2) Set the gas tap to the MIN flame position then turn the control knob from MIN to MAX several times. If the flame is unstable or is extinguished follow the procedure below.

Procedure:

- 1) Re-ignite the burner and set to MIN.
- 2) Remove the control knob.
- 3) The adjustment screw is located down the centre of the gas tap control shaft.

To adjust, use a thin bladed screwdriver and turn the adjustment screw until the flame is steady and does not extinguish, when the knob is turned from MIN to MAX. Repeat this procedure for all burners.



- a) Minimum adjustment screw
- b) Tap

Pressure Testing

- 1) Remove left hand pan support and front left burner cap and crown.
- 2) Fit manometer tube over the injector.
- 3) Turn on the burner gas supply and ignite another burner supply.
The pressure reading should be nominally 20mbar and must be between 17 mbar and 25mbar.
- 4) Turn off the burner supplies.

Conversion from Natural Gas to LPG

It is important to note that this model is designed for use with natural gas but can be converted for use with butane or propane gas providing the correct injectors are fitted and the gas rate is adjusted to suit.

Method



- 1) Ensure that the gas taps are in the 'OFF' position
- 2) Isolate the hob from the electricity supply
- 3) Remove all pan supports, burner caps, rings, crowns and control knobs.
- 4) With the aid of a 7mm box spanner the burner injectors can then be unscrewed and replaced by the appropriate LPG injectors.

TO ADJUST THE GAS RATE

With the aid of a thin bladed screwdriver completely tighten down the by pass adjustment screw, which is located down the centre of the gas tap control shaft. Upon completion stick the replacement rating plate on the under side of the hob.

IMPORTANT



The replacement/conversion of the gas hob should only be undertaken by a competent person