



Item # _____

Project _____

Model # XAL195

Product Name: PROOFER for Cadco Half Size Digital Convection Oven Models* XAF-188 & XAF-195
8 Full Size Sheet Pan Capacity



Full Size Proofer for Cadco Digital Convection Ovens *

NEW!



NEMA
6-15P
Plug

Model XAL195 - FULL SIZE PROOFER for Cadco Digital Convection ovens which have Dynamic Control Panel & Humidity (Current oven models XAF-188 & XAF-195)

Our proofers are made to Cadco Ltd. specifications by UNOX S.p.A., Italy ♦ NSF, UL through CSA Standards
Cadco Model XAL195 = UNOX Model XAL195

Standard Features

*** NOTE: This proofer is not a stand-alone item. It can only be run and controlled when stacked in modular configuration with a Cadco Digital Convection Oven with DYNAMIC Control Panel (Full Size Oven Models XAF-188 & XAF-195. Proofer requires a separate power outlet from the oven, but is controlled by the DYNAMIC Control Panel on the oven.)**

- Handles 8 full size sheet pans (not included) ● 2-5/8" between pan brackets
- Heat settings from 90° - 122° F
- Requires a water supply for humidity ● Water filter required - Call Cadco for current filter model
- Dimensions are designed to accommodate modular stacking for customized configuration
- NSF, UL through CSA Standards / listed by UNOX S.p.A. ● Chef Support – on-line and via phone
- **One Year On-site Warranty**
- 208-240 Volts / 1,200 Watts / 5.5 Amps / Single Phase ● NEMA 6-15P Plug
- Freight class 85 NOTE: This model must ship by truck, not UPS

Wheels Kit also available: XR621

Model	Color	Electrical			Unit Dimensions	Ship Wt./lbs.	Carton Dimensions	UPC#
		Volts	Watts	Amps				
XAL195	Yellow / Brushed Stainless	208-240	1,200	5.5	w:31-1/2", h:29-7/8", l:28"	91*	w:34", h:32", l:31"	654796-52005-3

*does not include weight of shipping skid

For more information, please contact Cadco, Ltd, 145 Colebrook River Road, Winsted, CT 06098
Tel. (860)738-2500 ♦ Fax (860) 738-9772 ♦ E-mail: info@cadco-ltd.com ♦ Web site: www.cadco-ltd.com

Due to continual product improvement, specifications and design are subject to change without notice.

3/27/2007 RV00

Cadco, Ltd. Proofer for Digital Convection Ovens - 8 full size sheet pan capacity Model # XAL195

ITALIANO

DATI TECNICI

POTENZA	1,2 kW
FREQUENZA	60 Hz
TIPO DI CAVO ALIMENTAZIONE	SJTOW
Ø ESTERNO CAVO DI ALIMENTAZIONE	10 mm
TENSIONE / SEZIONE CAVI ALIMENTAZIONE	230V~1PH+N+PE 3xAWG14
PRESSIONE ACQUA	50 - 200 kPa

ENGLISH

TECHNICAL DATA

ELECTRICAL POWER	1,2 kW
FREQUENCY	60 Hz
POWER SUPPLY CABLE TYPE	SJTOW
EXTERNAL Ø OF POWER SUPPLY CABLE	10 mm
VOLTAGE / POWER CABLE SECTION	230V~1PH+N+PE 3xAWG14
WATER PRESSURE	50 - 200 kPa

FRANCAIS

DONNEES TECHNIQUE

PUISSANCE ELECTRIQUE	1,2 kW
FREQUENCE	60 Hz
TYPE DE CABLE D'ALIMENTATION	SJTOW
Ø EXTERNE DU CABLE D'ALIMENTATION	10 mm
TENSION / SECTION CABLE D'ALIM.	230V~1PH+N+PE 3xAWG14
PRESSION DE L'EAU	50 - 200 kPa

ESPAÑOL

DATOS TECNICOS

POTENCIA	1,2 kW
FRECUENCIA	60 Hz
TIPO DE CABLE DE ALIMENTACION	SJTOW
Ø CABLE EXTERNO DE ALIMENTACION	10 mm
TENSION / SECCION CABLES DE ALIMENTACION	230V~1PH+N+PE 3xAWG14
PRESION AGUA	50 - 200 kPa

DEUTSCH

TECHNISCHE DATEN

ELEKTRISCHE LEISTUNG	1,2 kW
FREQUENZ	60 Hz
ZULEITUNGSKABELTYP	SJTOW
AUSSENDURCHMESSER DES VERSORGUNGSKABELS	10 mm
KABELQUERSCHNITT UND VERSORGUNGSSPANNUNG	230V~1PH+N+PE 3xAWG14
WASSERDRUCK	50 - 200 kPa



MOD: XAL195



ITALIANO - DISEGNI

1. SCATOLA COPRI MORSETTIERA
2. MORSETTIERA ALIMENTAZIONE
3. MORSETTO EQUIPOTENZIALE
4. COLLEGAMENTO LIEVITATORE
5. COLLEGAMENTO CAPPA/ABBATTITORE
6. TARGHETTA DATI TECNICI
7. TERMOSTATO DI SICUREZZA
8. INGRESSO ACQUA 3/4"
9. INGRESSO GAS 3/4"
10. INGRESSO ROTOR KLEAN
11. SCARICO CAMERA COTTURA Ø30mm
12. USCITA FUMI CALDI
13. COLLEGAMENTO ACCESSORI
14. CAVO COLLEGAMENTO FORNO
15. PRESSACAVO

LASCIARE STACCATO DI 10 cm IL FORNO DAL MURO

ENGLISH - DRAWINGS

1. TERMINAL BOARD COVER BOX
2. TERMINAL BOARD POWER SUPPLY
3. UNIPOTENTIAL TERMINAL
4. PROVER CONNECTION
5. HOOD/STEAM CONDENSER CONNECTION
6. TECHNICAL DATA PLATE
7. SAFETY THERMOSTAT
8. 3/4" THREAD WATER INLET
9. 3/4" GAS INLET
10. ROTOR KLEAN CONNECTION
11. CAVITY DRAIN PIPE Ø 30 mm
12. HOT FUMES EXHAUST CHIMNEY
13. ACCESSORIES CONNECTION
14. OVEN CONNECTION CABLE
15. CABLE PRESS

FRANCAIS - ENCOMBREMENT

1. CHAUMARD
2. BOITE A BORNES D'ALIMENTATION
3. SUPPORT BORNE EQUIPOTENTIELLE
4. JONCTION DE L'ETUVE
5. JONCTION DE L'HOTTE/CONDENSATEUR
6. PLAQUETTE SEGNALETIQUE
7. THERMOSTAT DE SECURITE
8. ARRIVE' D'EAU FIELT 3/4"
9. ARRIVE' DU GAS 3/4"
10. ENTREE ROTOR KLEAN
11. SORTIE DE L'EAU RACCORD Ø30mm
12. SORTIE DES FUMES CHAUDES
13. JONCTION DES ACCESSOIRES
14. CABLE DE CONNEXION DU FOUR
15. PRESSE CABLE

PLACER LE FOUR A UNA DISTANCE DE 10 cm DU MUR

ESPAÑOL - DISEÑOS

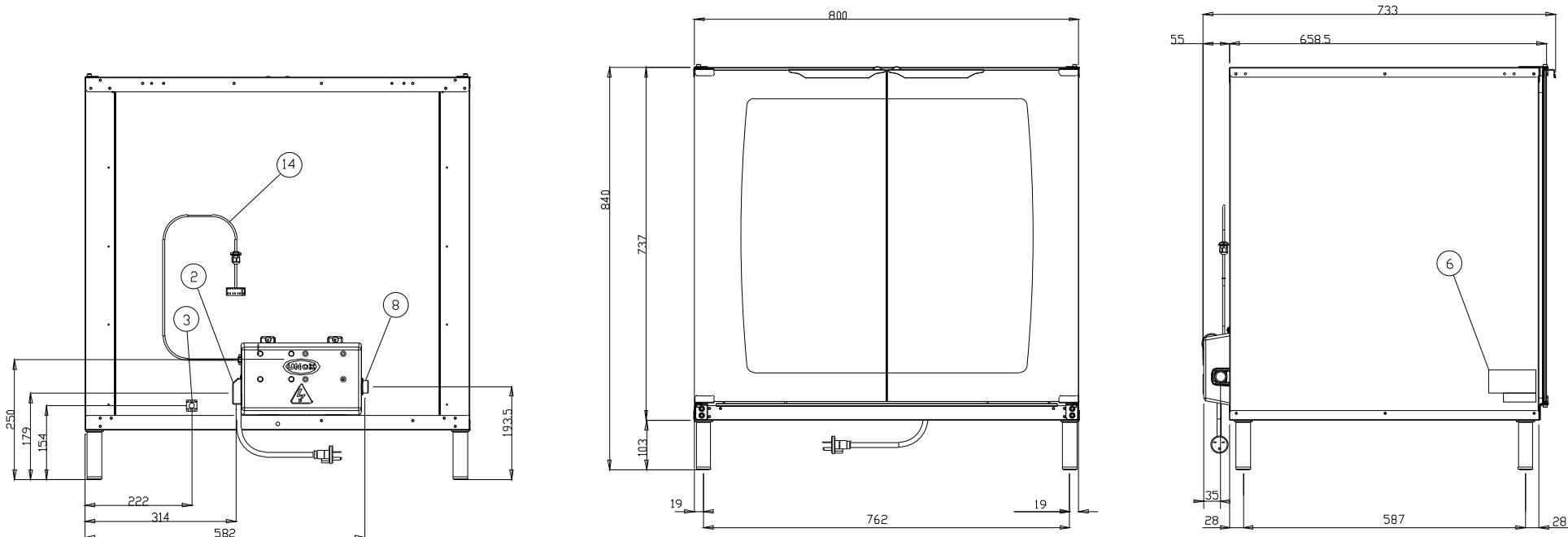
1. PASA CABLE
2. CAJA DE CONEXION
3. SEDE BORNE EQUIPOTENCIAL
4. CONEXION FERMENTADOR
5. CONEXION CAMPANA/CONDENSADOR
6. TARIETA DE CARACTERISTICAS TECNICAS
7. TERMOSTATO DE SEGURIDAD
8. ENTRADA DE AGUA 3/4"
9. ENTRADA DE GAS 3/4"
10. INGRESO ROTOR KLEAN
11. DESCARGA CAMARA DE COCCION Ø30mm
12. SALIDA HUMOS CALIENTES
13. CONEXION ACCESORIOS
14. CABLE CONEXION HORNO
15. ENCHUFE

MANTENER SEPARADO 10 CM EL HORNO DE LA PARED

DEUTSCH - ZEICHNUNGEN

1. KLEMMLEISTEANSCHLUSS
2. ZULEITUNGSKLEMMLEISTE
3. GLEICHPOTENTIELLE KLAMMER
4. GÄRSCHRANKVERBINDUNG
5. ABZUGSHAUBEVERBINDUNG
6. TYPENSCHILD
7. SICHERHEITSTHERMOSTAT
8. WASSEREINZUG 3/4 GEWINDE
9. GAS EINZUG 3/4" GEWINDE
10. ROTOR KLEAN EINGANG
11. WASSERAUSLASS Ø30mm GEWINDE
12. ABZUGSHAUBE
13. ZUBEHÖRTEILENVERBINDUNG
14. OFENSVERBINDUNGSKABEL
15. PRESSE-ANSCHLUSSKABEL

DRAWING



MOD: XAL195



ITALIANO - SCHEMI ELETTRICI

uP MICRO INTERRUOTORE PORTA
C CONDENSATORE
H LUCE FORNO
IM INVERTITORE DI MARCIA
INT INTERRUTTORE
M MOTORE
MO MORSETTIERA
P PULSANTE
R RESISTENZA
RE REGOLATORE ENERGIA
S LUCE SPIA
TE TERMOSTATO LAVORO
TM TIMER
TSIC TERMOSTATO SICUREZZA

ENGLISH - WIRING DIAGRAMS

uP DOOR MICROSWITCH
C ELECTRIC CONDENSER
H OVEN LIGHT
IM REVERSING GEAR
INT SWITCH
M MOTOR
MO TERMINAL BOARD
P PUSH BUTTON
R HEATING ELEMENT
RE ENERGY REGULATOR
S PILOT LIGHT
TE THERMOSTAT
TM TIMER
TSIC SAFETY THERMOSTAT

FRANCAIS - SCHEMAS ELECTRIQUES

uP MICRO INTERRUPTEUR DE PORTE
C CONDENSATEUR
H LAMPE DU FOUR
IM INVERSEUR DE MARCHE
INT INTERRUPTEUR
M MOTEURS DES TURBINES
MO BOITE A BORNES
P POUSSOIR
R RESISTANCE
RE REGULATEUR D' ENERGIE
S LAMPE TEMOIN
TE THERMOSTAT DE TRAVAIL
TM TIMER
TSIC THERMOSTAT DE SECURITE'

ESPAÑOL - ESQUEMAS ELECTRICOS

uP MICRO INTERRUPTOR PUERTA
C CONDENSADOR
H LUZ HORNO
IM INVERSOR DE MARCHA
INT INTERRUPTOR
M MOTOR
MO CAJA CONEXIONES-REGLETA
P PULSADOR
R RESISTENCIA
RE REGULADOR ENERGIA
S LUZ PILOTO
TE TERMOSTATO DE TRABAJO
TM TIMER
TSIC TERMOSTATO DE SEGURIDAD

DEUTSCH - SCHALTPLAN

uP MIKROTÜRSCHALTER
C KONDENSATOR
H LICHT DES OFENS
IM WENDEGETRIEBE
INT SCHALTER
M MOTORVENTILATOR
MO KLEMMLEISTE
P TASTE
R WIDERSTAND
RE ENERGIEREGLER
S KONTROLLICHT
TE THERMOSTAT
TM TIMER
TSIC SICHERHEITS THERMOSTAT

CONTROL SECTION

