

## Laptop Depot

# Mobile, secure, and powered storage for five or eight laptop computers.

The perfect storage solution for institutional laptop computers.



**Customer  
Support  
Information**

Order toll-free in the U.S.: Call 877-877-BBOX (outside U.S. call 724-746-5500)  
FREE technical support 24 hours a day, 7 days a week: Call 724-746-5500 or fax  
724-746-0746 • Mailing address: Black Box Corporation, 1000 Park Drive, Lawrence,  
PA 15055-1018 • Web site: [www.blackbox.com](http://www.blackbox.com) • E-mail: [info@blackbox.com](mailto:info@blackbox.com)

## Trademarks

---

### Trademarks Used In This Manual

Black Box and the Double Diamond logo are registered trademarks of BB Technologies, Inc.

The Laptop Depot design is patent pending.

Any other trademarks mentioned in this manual are acknowledged to be the property of the trademark owners.

Table of Contents

1.0 Specifications..... 4  
    1.1 Overview ..... 4

2.0 What's Included ..... 5  
    2.1 Front and Rear Views..... 6

3.0 Precautions..... 7

4.0 Configuration and Setup ..... 8  
    4.1 Installing Power Bricks on the Dividers ..... 8  
    4.2 Installing the Dividers..... 13

# Chapter 1: Specifications

---

## 1.0 Specifications

**Capacity** — Holds five or eight laptop computers

**Standards** — UL

**Power Strip** — LTD5: (1) 5-outlet power strip, 0.75 amps per outlet max.;  
LTD8: (1) 8-outlet power strip, 0.75 amps per outlet max.

**Size** — LTD5: Top: 1.3"H x 14.8"W x 22.8"D (3.3 x 37.6 x 57.9 cm);  
Body: 17"H x 13.8"W x 21.9"D (43.2 x 35 x 55.6 cm);  
Base: 7.6"H x 13.8"W x 21.9"D (19.3 x 35 x 55.6 cm);  
Casters: 3.9"H (9.9 cm);  
Drawer: 5.4"H x 9.2"W x 16"D (13.7 x 23.4 x 40.6 cm)  
Door opening: 14"H x 11"W (35.6 x 27.9 cm)

LTD8: Top: 1.3"H x 20.8"W x 22.8"D (3.3 x 52.8 x 57.9 cm);  
Body: 17"H x 20"W x 22"D (43.2 x 50.8 x 55.9 cm);  
Base: 7.6"H x 20"W x 22"D (19.3 x 50.8 x 55.9 cm);  
Casters: 3.9"H (9.9 cm);  
Drawer: 5.4"H x 15.8"W x 16"D (13.7 x 40.1 x 40.6 cm)  
Door opening: 14"H x 17"W (35.6 x 27.9 cm)

Both: Netbook Slot: 12.5"H x 2"W x 17"D ( 31.8 x 5 x 27.9 cm)

**Weight** — LTD5: Shipping: 35 lb. (15.9 kg);  
LTD8: Shipping: 45 lb. (20.4 kg);  
LTD5B: Shipping: 49 lb. (22.2 kg);  
LTD8B: Shipping: 59 lb. (26.8 kg)

## 1.1 Overview

The Laptop Depot (LTD) and Laptop Depot with Pedestal (LTDB) are designed to store, transport, and charge laptop computers and other similar devices. Units are available with capacities for five or eight separate storage bays. Each unit plugs into a typical 120-volt 15-amp outlet.

### 2.0 What's Included

#### Laptop Depot (LTD5 and LTD8)

- Laptop Depot: five laptop capacity (LTD5) or eight laptop capacity (LTD8)
- Power Strip: 5-outlet (LTD5) or 8-outlet (LTD8)
- Power management dividers: 6 (LTD5) or 9 (LTD8)
- User's manual
- Pair of keys

#### Laptop Depot Base (LTD5B and LTD8B)

- Caster base with locking drawer
- Laminate top
- (6) 10 x 3/4" black particle board screws
- (4) 10-24 x 1.5" steel screws
- (4) 10-24 flange nuts
- User's manual
- Pair of keys

# Chapter 2: What's Included

## 2.1 Front and Rear Views of the Laptop Depot

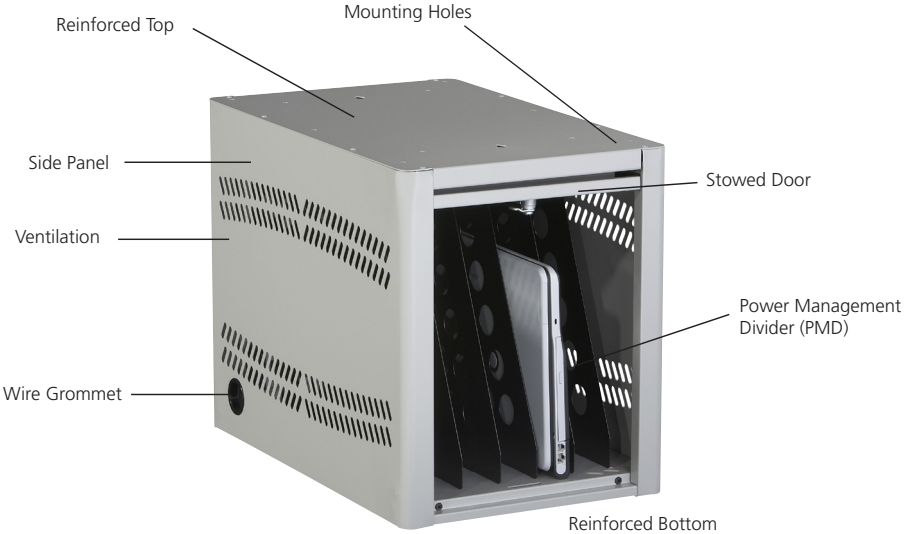


Figure 2-1. LTD.

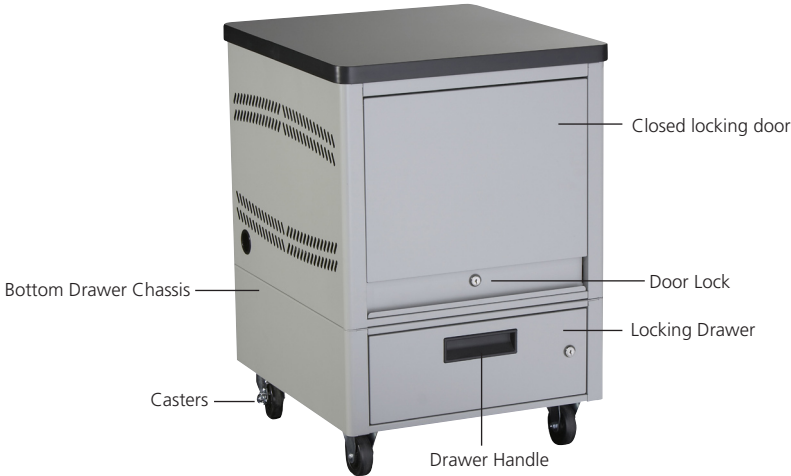


Figure 2-2. LTDB.

### 3.0 Precautions

- The LTD and LTDB must ONLY be connected to a 120 volt AC 15- or-20 amp power supply.
- The LTD and LTDB must always be used by adults or with adult supervision.
- The LTD and LTDB are not designed for outdoor use. Indoor use only.
- Always stow the power cord around the unit when transporting.
- Never pull the LTD by the power cord.
- Do not plug the LTD in if the switch, receptacle(s), or power cord have been damaged. All electrical components on this product must be repaired by a qualified technician.
- Do not use an extension cord in conjunction with the LTD.
- NO LIQUIDS in or around the LTD and LTDB environment.
- Inadequate repair can create significant hazards to users and is not covered by the warranty.
- For your safety, it is recommended that a qualified electrician test the circuit you will be plugging the LTD into. The circuit should be checked for ground integrity and appropriate branch circuit protection.
- The LTD ground prong must be present for safe operation. If the plug is damaged or if the ground prong has been removed, it should be replaced by a qualified technician.
- The use of the LTD including: plugging in or unplugging laptop computers, plugging in or unplugging the LTD and LTDB, and engaging or releasing the directional and total lock casters must be done with adult supervision.
- The LTD can be very heavy when fully loaded with laptop computers and should be moved about by persons physically able to do so.
- The LTD should only be used for storage, transport (LTDB), and charging of laptop computers, tablet PCs, ultra mobile PCs, and other similar devices.
- Misuse, incorrect operation, or inadequate repair of the LTD will void the warranty.

# Chapter 4: Configuration and Setup

## 4.0 Configuration and Setup

Remove and discard all packaging materials. Open and inspect the LTD or LTDB to verify all doors, drawers, and locks are working properly.

For the LTDB, lock the casters prior to setting up, loading, or unloading laptop computers to prevent the LTDB from moving.

Feed the power strip cord through the grommet hole located on the side of the LTD. Do not plug the LTD into the wall outlet until all configurations and setup are complete.

Attach power bricks to the dividers to create separate slots for the laptop computers.

### 4.1 Installing Power Bricks on the Dividers

Remove a divider to install a power brick on it. Follow these steps to install the power bricks on each divider:

**Step 1.** Lay the divider flat on the work surface. Lay a laptop computer and a power brick on top of the divider, with the computer end of the power wire toward the top of the divider. Plug the power brick into the laptop computer. Lay the wire across the two holes at the top of the divider. Make sure that there is some slack between the front hole and the plug.

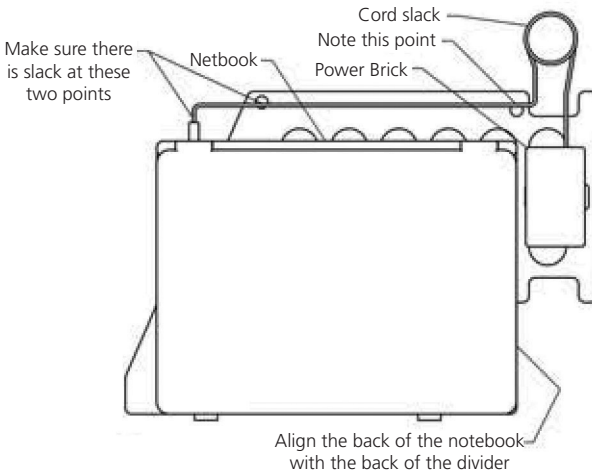


Figure 4-1. How to thread the electrical cable through the dividers.



**Step 2.** Note the point where the power wire meets the rear hole in the divider. Measure back 6" toward the power brick and fold the wire in half to create a loop in the center of the wire. This loop will be used in Step 3, below. Unplug the power wire from the netbook and remove the netbook from the divider.



Figure 4-2. Loop the electrical cord and push it through the circular hole at the top rear of the divider.

**Step 3.** Insert the loop created in Step 2 through the rear small hole at the top of the divider (Figure 4-2). Then, place the plug end of the wire through the loop (Figure 4-3). Make sure that the loop is on the side of the divider (not on top of it—see Figure 4-4). This will ensure that the divider will slide back into the cart. Then, tighten the loop down to the divider, tightening the knot.

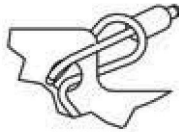


Figure 4-3. Insert the plug end of the wire through the loop.

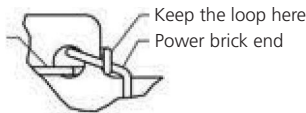


Figure 4-4. Make sure the loop is on the side of the divider, not on top of it.

**Step 4.** Run the wire along the top of the divider and repeat the process of creating a loop in the power cord. Place this loop through the small hole at the front of the divider (Figure 4-5). Now place the plug end of the wire through the loop (Figure 4-6). Pull the end of the cable, tightening the loop (Figure 4-7).



Figure 4-5. Create a loop from the power cable and feed it through the hole at the top front of the divider.

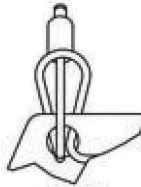


Figure 4-6. Insert the plug end of the wire through the loop.

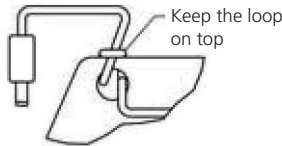


Figure 4-7. Pull the cable taut to secure the loop.

**Step 5.** Wrap the remaining length of power cord around the power brick (see Figure 4-10, page 12).

**Step 6.** Wrap the plug wire around the brick. Leave at least 7" of extra cable if the divider will be inserted into the bottom shelf, or at least 21" of extra cable if the divider will be inserted into the top shelf.

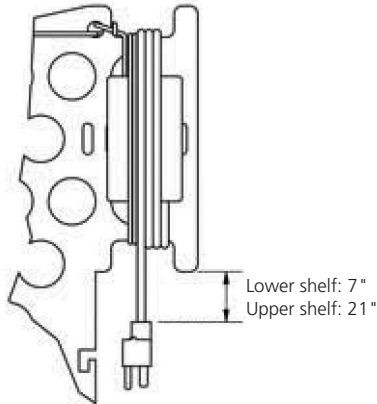


Figure 4-8. Wrap the remaining electrical cable around the power brick.

**Step 7.** Hold the brick and cords in place by strapping them down using a zip tie or a hook-and-loop tie.

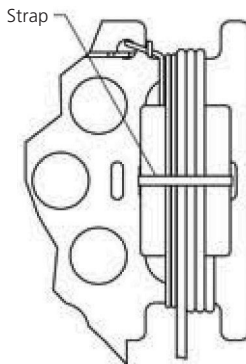


Figure 4-9. Strap the brick and cord in place using a zip tie or hook-and-loop tie (not included).

**Step 8.** Install the assembled divider into the cart using the following steps.

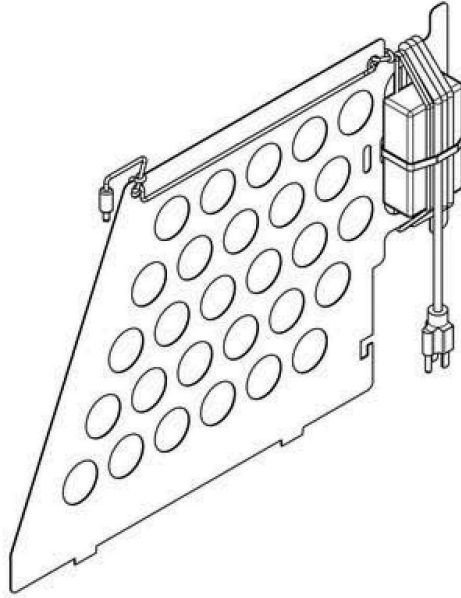


Figure 4-10. A divider with a power brick properly attached.

*NOTE: For proper installation, make certain that all power bricks are installed on the same side of every divider.*

### 4.2 Installing the Dividers

**Step 1.** Working from left to right, insert the power cord of a laptop power brick that is mounted on a divider into the farthest left open outlet and then insert the divider into the LTD.

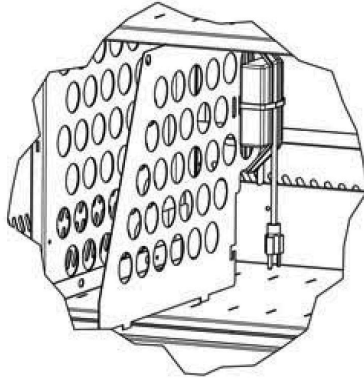


Figure 4-11 Begin to insert dividers into the top row of the cart.

**Step 2.** Repeat until all dividers are installed.

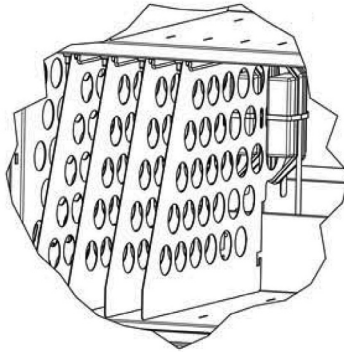


Figure 4-12. Netbook Cart dividers with attached power bricks.

**Step 3.** Load one laptop computer into each storage bay.





**Black Box Tech Support: FREE! Live. 24/7.**

Tech support the  
way it should be.



Great tech support is just 30 seconds away at  
724-746-5500 or [blackbox.com](http://blackbox.com).



## About Black Box

Black Box Network Services is your source for an extensive range of networking and infrastructure products. You'll find everything from cabinets and racks and power and surge protection products to media converters and Ethernet switches all supported by free, live 24/7 Tech support available in 30 seconds or less.

© Copyright 2011. Black Box Corporation. All rights reserved.

LTD5, rev. 1

---

724-746-5500 | [blackbox.com](http://blackbox.com)