

D1917ES

PORTABLE 9" LCD MONITOR, DVD PLAYER AND
EXTRA MONITOR



An LCD panel and/or video monitor may be installed in a motor vehicle and visible to the driver if the LCD panel or video monitor is used for vehicle information, system control, rear or side observation or navigation. If the LCD panel or video monitor is used for television reception, video or DVD play, the LCD panel or video monitor must be installed so that these features will only function when the vehicle is in "park" or when the vehicle's parking brake is applied.

An LCD panel or video monitor used for television reception, video or DVD play that operates when the vehicle is in gear or when the parking brake is not applied must be installed to the rear of the driver's seat where it will not be visible, directly or indirectly, to the operator of the motor vehicle.

Notice:

This Product incorporates copyright protection technology that is protected by method claims of certain U.S. Patents and other intellectual property rights owned by Macrovision Corporation and other rights owners. Use of this copyright protection technology must be authorized by Macrovision Corporation, and is intended for home and other limited viewing uses only unless otherwise authorized by Macrovision Corporation. Reverse engineering or disassembly is prohibited.

Content

A. Introduction	4
B. Cautions and Warnings	4
C. Contents	6
D. Powering and Installation	6
E. Vehicle Installation	8
F. Controls, Indicators and Connectors	10
G. Loading and Playing a Disc	12
H. Basic Operation.....	13
I. Menu	14
J. Display.....	14
K. Playing Audio CDS.....	17
L. Playing MP3 Discs	18
M. Connecting to Other Electronic Equipment.....	20
N. Playing JPEG Files.....	21
O. Connecting the Monitor to a Game or Camcorder.....	22
P. Setup	23
Q. Specifications	26
R. Rechargeable Battery Installation and Use	26
S. Troubleshooting	29

A. Introduction

Thank you for choosing the D1917ES portable DVD player and extra monitor. The main features include two 9" Digital Screen (16:9 Aspect Ratio) Liquid Crystal Display (LCD) monitors and a DVD player. The unit also contains a 3 in 1 card reader and a USB port. The unit is designed for use with SD/MMC, MS memory cards and USB memory devices. The unit applies the latest state of the art electronics and is designed for use in hotels, offices or your home. The unit is constructed to provide years of reliable, trouble-free service and is compact so that you can take it with you anywhere and is designed for quick and easy installation. Please read the entire instruction manual supplied with this product prior to using. The documentation will assist you in using the system properly to obtain the best equipment performance. Please save this manual for later use.

B. Cautions and Warnings

1. Placement

To prevent fire or electric shock, do not expose this unit to rain or moisture. Keep the unit away from strong magnets, heat sources, direct sunlight, excessive dust. If the unit is brought directly from a cold to a warm location, moisture may condense inside the unit. When you move the unit from a cold to a warm location, wait for about one hour before operating the unit, or remove the disc and leave the unit turned on until the moisture evaporates.

2. Installation

Ensure that the 9" portable DVD player and extra monitor are used in accordance with the instructions and illustrations provided in this manual.

3. Caution

Do not push objects of any kind into the unit through openings; do not spill or spray liquid of any kind on or in the unit (this may

result in a fire or electric shock). Do not place anything heavy on the unit. To ensure proper ventilation and proper operation, never cover or block the slots and openings with a cloth or other material. Keep the unit away from an open flame such as fire, candle etc. Replacing the battery incorrectly is hazardous. Replace the battery only with the same or equivalent type. In order to protect the environment, please dispose the battery properly. Do not use the unit in temperatures higher than 95 degrees Fahrenheit or 35 degrees Celsius.

4. Disassembly

Do not attempt to disassemble the unit's case. There is a risk of electric shock and/or exposure to Laser Radiation. Contact qualified service personnel if your system needs repair.

5. Cleaning Unit

When cleaning, make sure the system is unplugged from the power source. Do not use liquid cleaners or aerosol cleaners. Use a cloth lightly dampened with water for cleaning the exterior of the system only.

6. Disc

Do not use irregularly shaped discs such as heart or star-shaped discs as they may cause the unit to malfunction. Do not stick paper, tape or glue on the disc. Do not expose the disc to direct sunlight or heat sources. Do not touch the surface of disc. Handle the disc by its edge. Clean the disc by wiping the disc from the center out with a clean cloth. Remove the disc from the unit and store it in its case after playing. Some playback operations of discs may be intentionally fixed by software producers. Since this unit plays discs according to the disc contents the software producers designed, some playback features may not be available. Also refer to the instructions supplied with the discs.

7. Regional Coding

Both the DVD player and disc are coded by region. These regional codes must match in order for the disc to play. If the codes don't match, the disc won't play. This unit's code is region 1. DVD's with other regional codes cannot be played in this unit

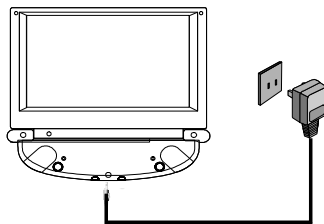
C. Contents

1. 1 x 9" LCD Monitor and DVD Player
2. 1 x 9" LCD Monitor
3. 1 x Remote Control with battery (CR2025)
4. 1 x Audio/Video Adapter Cable (One to Three Female)
5. 1 x Audio/Video Adapter Cable (One to Three Male)
6. 1 x AC to DC Adapter
7. 1 x Y Type DC Power Adapter
8. 1 x Instruction Manual
9. 1 x Rechargeable Battery
10. 1 x Mounting Bag With Straps for the Monitor
11. 1 x Carry Bag With Straps

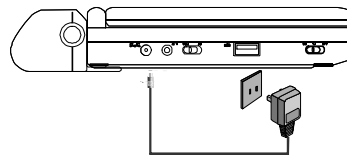
D. Powering and Installation

1. Powering the system indoors (Refer to Figure 1)

Plug one end of the AC to DC adapter into the DC input jack on the left side of the main unit, then plug the other end into the 110~240V AC power receptacle.



Single Monitor



Main Unit

Figure 1

Note: Unplug the the unit from its power source and remove the rechargeable battery if the unit is not going to be used for a long time.

2. Powering the system in a car (Refer to Figure 2)

Plug one end of the DC Power adapter into the DC input jack on the unit, then plug the other end into the vehicle power outlet.

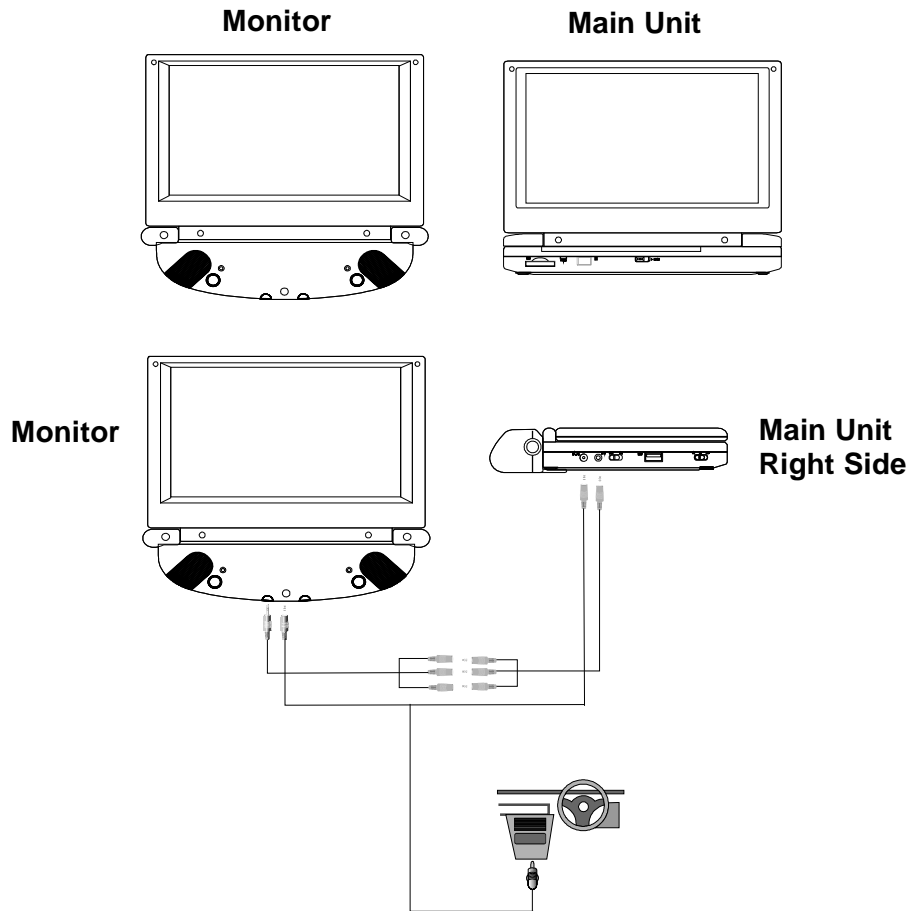


Figure 2

E. Vehicle Installation

Installing the DVD Player and monitor onto a car seat

(Refer to Figures 3 through 5)

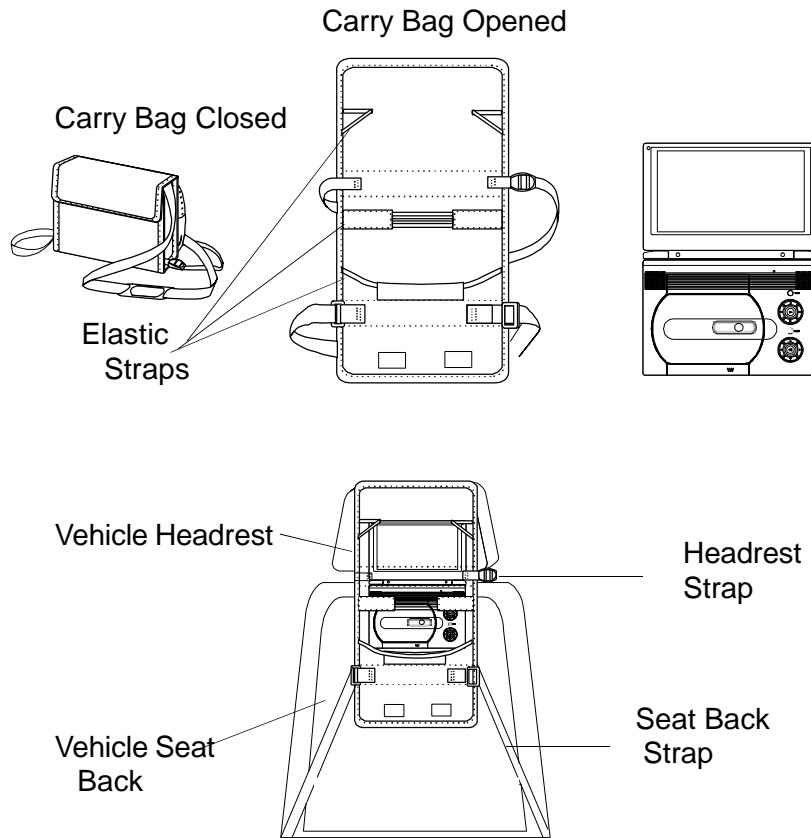


Figure 3

- 1). Unfold the carry bag and place the DVD player on the bag beneath the elastic straps. Ensure that the unit's corners are secured by the elastic straps.
- 2). Secure the upper portion of the carry bag to headrest support bars using the headrest strap. Adjust the headrest strap until the bag is firmly secured.
- 3). Secure the lower portion of the carry bag to the vehicle seat back using the seat back strap. Adjust the seat back strap until the bag is firmly secured.

Installing the monitor

Option 1 Vehicle Headrest (Refer to Figure 4)

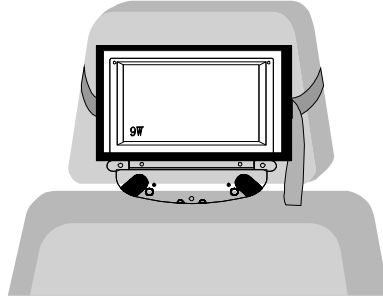


Figure 4

Slide the Monitor into the pouch and attach the Velcro straps to secure the Monitor in the pouch. Loop the strap of the pouch around the headrest and pull the end of the strap while holding the buckle to secure the pouch to the headrest

Option 2 Flat Surface (Refer to Figure 5)

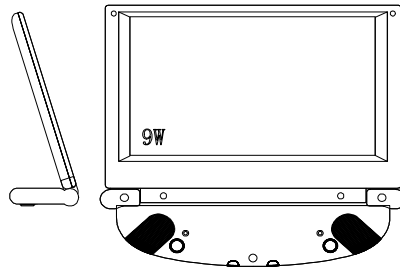


Figure 5

Rotate the base of Monitor backward and place on a flat surface. Adjust the screen for a proper viewing angle. This can be done with the Monitor inside or outside the pouch.

F. Controls, Indicators and Connectors

1. LCD Monitor and DVD Player (Refer to Figure 6)

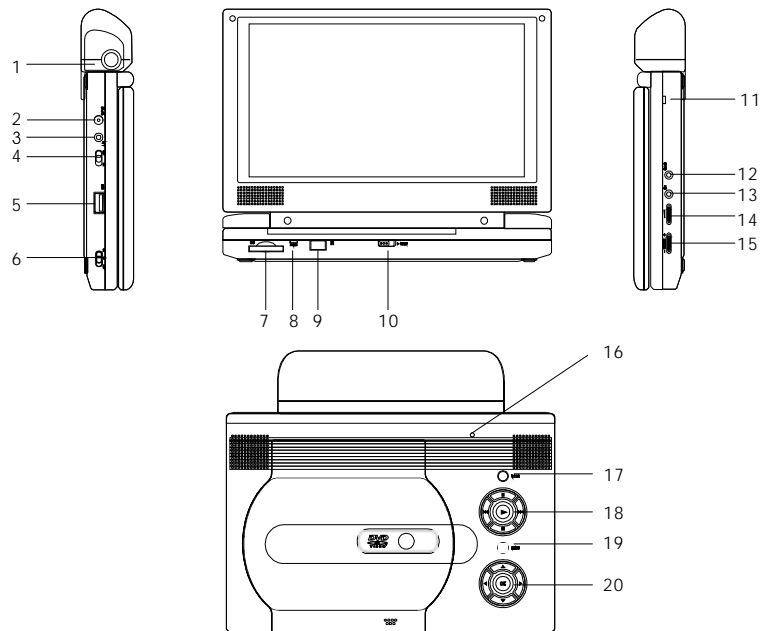


Figure 6

- | | |
|---------------------------|-----------------------------------|
| 1) Battery Release Button | 11) Charge Indicator |
| 2) DC 9V Input Jack | 12) Headphone Jack 1* |
| 3) AV Jack | 13) Headphone Jack 2 |
| 4) AV In/Out Switch | 14) Volume Up/Down Control |
| 5) USB Port | 15) Brightness Up/Down Control |
| 6) Power ON/OFF Switch | 16) LCD Panel Shut Off Switch |
| 7) SD/MMC/MS Card Slot | 17) Wide Button |
| 8) Power LED | 18) Previous/Next/Pause/Stop/Play |
| 9) Remote Control Sensor | 19) Menu Button |
| 10) Cover Open Switch | 20) Up/Down/Left/Right/OK Button |

* Connecting to headphone jack number 1 will disable the internal speakers

2. Monitor View (Refer to Figure 7)

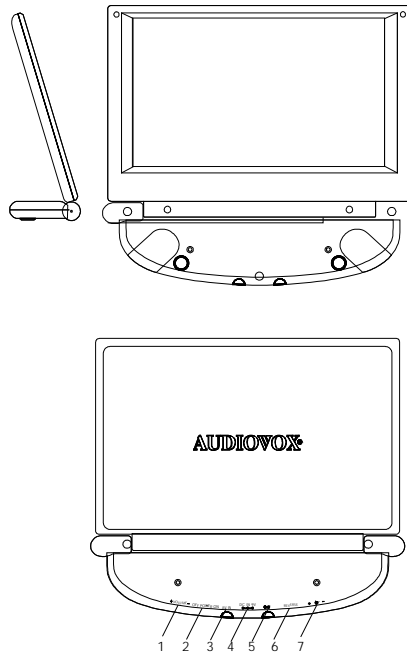


Figure 7

- 1) Volume Up/Down Control
- 2) Power ON/OFF Switch
- 3) AV IN Jack
- 4) DC 9V Jack
- 5) Headphone Jack (Disables the internal speakers)
- 6) Reverse Switch
- 7) Brightness Up/Down Control

NOTE: Slide the Reverse Switch to rotate the picture 180 degrees. image.

NOTE: To view the monitor rotate the base backward and place it on a flat surface. Adjust the screen for a proper viewing angle. This can be done with the monitor inside or outside the pouch.

3. Remote Control (Refer to Figure 8)

- 1) Setup Button
- 2) Up Button
- 3) Skip - Button
- 4) Enter Button
- 5) Reverse/Left Keypad
- 6) Down Button
- 7) Numeric Buttons
- 8) Display Button
- 9) Zoom Button
- 10) DVD/SD-USB Button
- 11) Skip + Button
- 12) A-B Repeat Button
- 13) Forward/Right Keypad
- 14) 1/All Repeat Button
- 15) Stop Button
- 16) Menu Button
- 17) Subtitle Button
- 18) Audio Button
- 19) Play/Pause Button

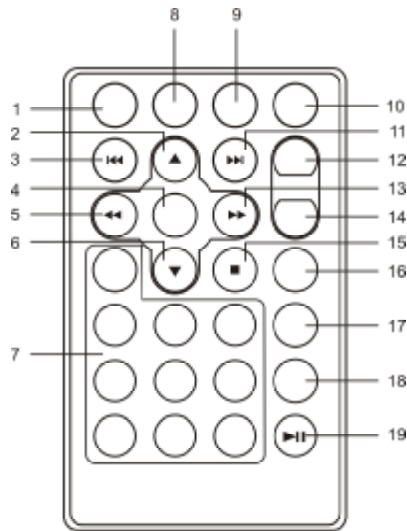


Figure 8

G. Loading and Playing a Disc

- a. After connecting power to the unit, power on the DVD player with the power switch. The power indicator will light.
- b. Open the disc tray by sliding the OPEN switch in the direction of the arrow. Place a disc in the tray with label side facing up.
- c. Close the tray by pressing the area marked "PRESS". The unit will load the disc and start playing.
- d. Rotate VOLUME to adjust the LCD's brightness and the DVD player's volume.
- e. To stop playing a disc, press STOP.

H. Basic Operation

POWER	Turn the unit on/off
OPEN	Remove/load the disc
PAUSE	Press to pause play and again to re-start play.
STOP	Press once to stop and restart at the stop point Press twice to stop and restart at the beginning of the disc
PLAY	Start Play/Execute item or setting
Skip + NEXT	Go to the next chapter, track or scene during play back
Skip - PREVIOUS	Go back to the previous chapter, track or scene during play back
FORWARD	Scan forward at 2, 4, 8, 16 or 32 times speed
REVERSE	Scan backward at 2, 4, 8, 16 or 32 times speed
ANGLE	Change the viewing angle of the scene
LEFT/RIGHT/UP/ DOWN	Used for Menu Navigation
ENTER	Execute item or confirm setting
NUMBERS	Select item or setting
MENU	Display the main menu of the disc
REPEAT	Repeat playing title, chapter, or track
A-B	Repeat a specific portion from point A to point B of the disc
DISPLAY	Display information (title, chapter, track, time, etc.).
SUBTITLE	Select the subtitle language and turn it on/off
AUDIO	Select the audio language
SETUP	Display the setup menu to select and set items, and exit the setup menu.
WIDE	On the player only: change between wide screen and 4:3 picture aspect ratio.

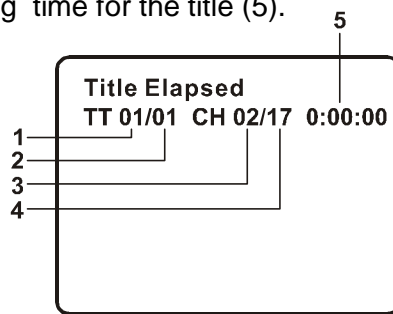
I. Menu

A DVD is divided into sections called titles and chapters. When you play a DVD, the root menu of the disc will appear on the screen of your TV or Monitor. The contents of the menu vary from disc to disc. Press MENU during playback to display the menu. Some DVDs only allow you to select disc playback options using the DVD root menu.

J. Display

1. PLAYING TIME AND REMAINING TIME

- a. During playback press the 'DISPLAY' button to display the current Title Number (1), the total Number of Titles (2), the current Chapter Number (3), the total Number of Chapters (4), and the elapsed playing time for the title (5).



Title, Chapter Number, and Time Screen Display

- b. Pressing 'DISPLAY' repeatedly will provide the following sequential options below:

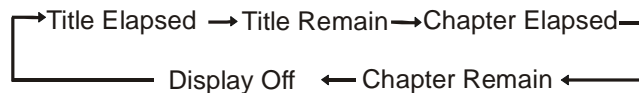
Title Elapsed: The elapsed time of the title

Title Remain: The remaining time of the title

Chapter Elapsed: The elapsed time of the chapter

Chapter Remain: The remaining time of the chapter

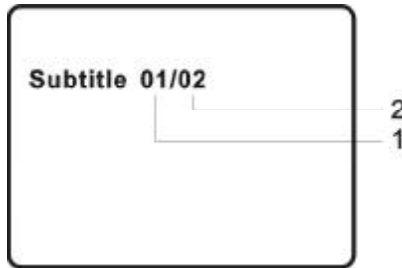
Display Off: The DVD's time information is removed from view.



2. SUBTITLE

During disc playback press 'SUBTITLE' to select the subtitle language you desire*, with the current Subtitle Language Number (1) and the total Number of Subtitle Languages (2) displayed. If there are multiple languages press 'SUBTITLE' again to select another subtitle language. To turn subtitles OFF, press the 'SUBTITLE' button until 'Subtitle Off' is displayed. The Subtitle display will disappear automatically if the 'SUBTITLE' button is not pressed again within 3 seconds.

* Some DVDs only allow access to this function through the DVD menu.

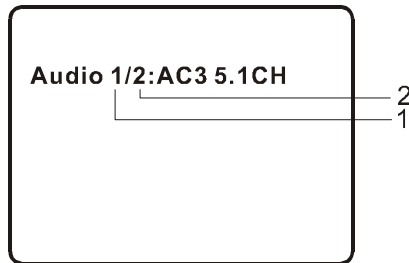


Subtitle

3. AUDIO

During playback press 'AUDIO' to select the audio language you desire*, with the current Audio Channel Number (1) and the total number of Audio Channels (2) displayed. Press AUDIO again to select another audio language. The audio display will disappear automatically if the 'AUDIO' button is not pressed within for 3 seconds.

* Some DVDs only allow access to this function through the DVD menu.



Audio Language

4. A-B REPEAT

- During playback press 'A-B' to set the Starting Point A.
- Press 'A-B' a second time to set the Ending Point B. The player will repeatedly play the part between Point A and Point B.
- Press A-B a third time to cancel A-B repeat and resume normal playback.



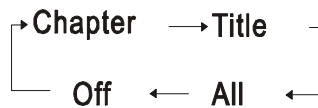
A-B Repeat Starting Point A-B Repeat Ending Point A-B Repeat Cancelled

5. 1/ALL REPEAT

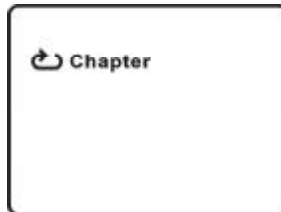
- During playback press '1 ALL/REPEAT' repeatedly to cycle through the repeat modes.

- Chapter: Repeat the current chapter
Title: Repeat the current title
All: Repeat all chapters and titles
Repeat Off: Resume normal playback

The 'Chapter' repeat display is shown below:



DVD Repeat Mode

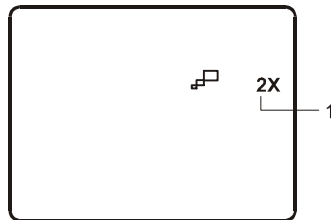


Chapter Repeat

6. ZOOM

During playback press 'ZOOM' to enlarge the picture by 2X, 3X , 4X.

- (1) Press "ZOOM" one time, the picture will be enlarged 2X.
- (2) Press "ZOOM" a second time, the picture will be enlarged 3X.
- (3) Press "ZOOM" a third time, the picture will be enlarged 4X.
- (4) Press "ZOOM" a fourth time, the picture will return to normal size.

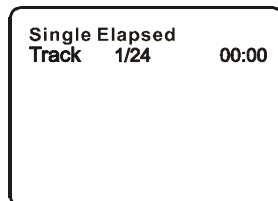
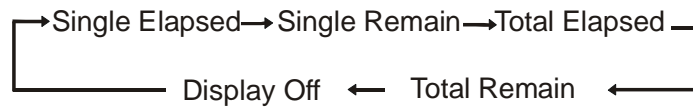


Zoom

K. Playing Audio CDs

When playing an audio CD press the DISPLAY button repeatedly on the remote to view time information. The options below are displayed in the following sequence.

CD Display Mode



Single Elapsed When Playing Audio CDs

Single Elapsed: The current track playing and elapsed playing time of that track is displayed on the screen.

Single Remain: The current track playing and the amount of time left to play on the track.

- Total Elapsed: The current track playing and the total time that the CD has been playing.
- Total Remain: The current track playing and the amount of time remaining on the CD.
- Display Off: The CD time information is not displayed.

USING THE 1/ALL REPEAT FEATURE

The default mode for the Repeat feature is OFF. Pressing REPEAT consecutively changes the repeat options:

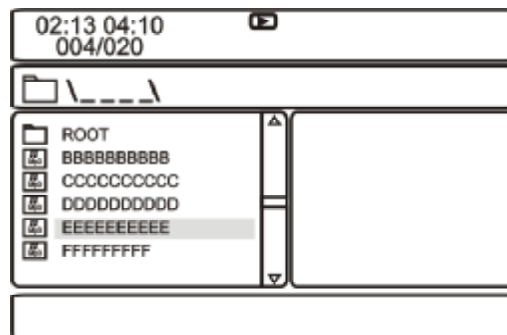
- *Track*- repeats the track that is playing.
- *All*- repeats the disc that is playing.
- *Repeat Off*

As you toggle through the options, the repeat option changes. The selected repeat option loops repeatedly until you turn it off.

L. Playing MP3 Discs

MP3 is a format for storing digital audio. An audio CD-quality song is compressed into the MP3 format with very little loss of audio quality while taking up much less disc space. CD-R /RW discs that have been encoded in MP3 format are compatible with this system.

When an MP3 disc is inserted into the unit, the menu screen appears automatically. You can use the menu screen to select your desired folders and songs or the system plays the songs in the order they were burned onto the disc.



1. Press the ▲ or ▼ button to choose a folder from the folder list on the left side of the screen.
2. Press ENTER to select the highlighted folder. The songs available in the folder will be listed.
3. Use the ▲ or ▼ button to choose a song from the list. Press ENTER to select and begin playback of the highlighted song.
4. Use the ►► (NEXT) button to move to the next song. Press the ◀◀ (PREVIOUS) button to move to the beginning of the previous song.


USING THE REPEAT FEATURE

The default mode for the Repeat feature is OFF. Pressing REPEAT consecutively changes the repeat options:

- Repeat One (repeat playback of a song)
- Repeat Folder (repeat playback of a specific folder)
- Repeat Off (normal playback)

As you toggle through the options, the repeat mode changes. The selected repeat mode loops repeatedly until you turn it off.

Note:

- “” icon in front of a file name indicates that this is a folder, not an MP3 file.
- “MP3” icon in front of a file name indicates that this is a MP3 file.

Note:

Due to the company’s policy of constant improvement and technical refinement, the company reserves the right to change or alter software.

M. Connecting to Other Electronic Equipment

1. Connecting to a TV or Another Monitor (Refer to Figure 9)

- Set the AV In/Out Switch to the “Out” Position.
- Connect one end of the audio/video cable’s black (1/8” plug) plug into the unit’s DVD AV jack and connect the other end to the AUDIO INPUT jacks on your TV or Monitor using the AV adapter cable (white = left audio channel, red = right audio channel, yellow = video).

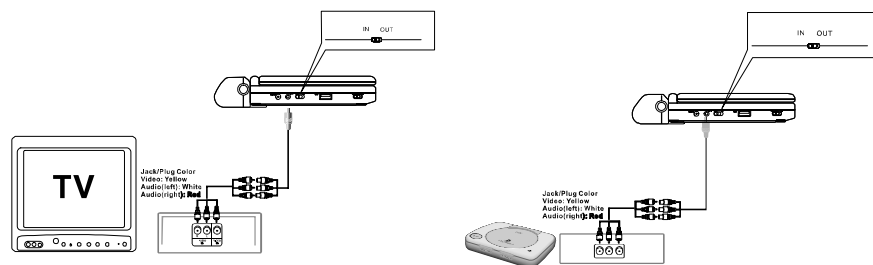


Figure 9

2. Connecting to a Game or Camcorder (Refer to Figure 9)

- Set the AV In/Out Switch to the “In” Position.
- Connect one end of the audio/video cable’s black (1/8” plug) plug into the unit’s DVD AV jack and connect the other end to the AUDIO Output jacks on your Camcorder or other DVD using the AV adapter cable (white = left audio channel, red = right audio channel, yellow = video).

Note: Do not connect an AV signal source with the AV jack when the AV In/Out Switch is set to the “Out” position.

3. Headphones

Optional wired headphones may be used with the unit. Simply plug in the headphones to either Headphone 1 jack* or Headphone 2 jack on the right side of the DVD player or the Headphone jack on the monitor. (Refer to Figure 10 and 11)

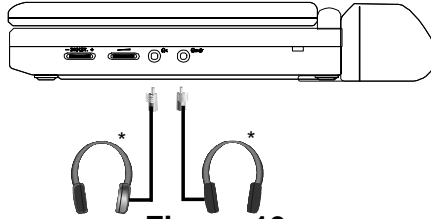


Figure 10

*Plugging into Headphone jack 1 disables the internal speakers.

4. SD/MMC/MS Card and Thumb Drive/Digital Cameras

With no disc in the unit, insert either an SD/MMC/MS card, digital camera or Thumb Drive with JPEG or MP3 files into the appropriate input.

- 1) Insert an SD/MMC/MS Card into the SD/MMC/MS Slot on the front of the unit.
- 2) Insert a Thumb Drive into the USB jack on the left side of the unit.
- 3) Connect the USB cable (not supplied) from a camera into the USB port on the left side of the unit.
- 4) Press the DVD/SD-USB button. Choose the folder you desire by using the “UP” and “DOWN” buttons.

Design and Specifications are subject to change for product improvement without notice.

N. Playing JPEG Files

- 1) Load the JPEG Disc into tray.
- 2) The DVD player will display a folder and the JPEGS contained within the folder in a thumbnail view. Choose the picture you desire by using the “UP” and “DOWN” buttons.
- 3) You can view the JPEG file you selected by pressing “PLAY” or “ENTER” buttons.
- 4) Pressing the “DOWN” button rotates the picture 90 degrees clockwise.
- 5) Pressing the “UP” Key will return to the JPEG menu.
- 6) When previewing the file, pressing “SUBTITLE”, “AUDIO” or “AB”, an icon will appear on the display indicating that these options are not available.

O. Connecting the Monitor to a Game or Camcorder

(Refer to Figure 11)

- 1) Set POWER ON/OFF to the ON position.
- 2) Using the 1/8 to RCA A/V adapter cable connect the signal output from an auxiliary source such as Camcorder, Video Game, DVD Player, Video Cassette Recorder etc. to the AV IN Jack of the Monitor.
- 3) Use the BRIGHTNESS UP/DOWN control to adjust the picture to the desired setting.
- 4) Use the VOLUME UP/DOWN control to decrease or increase volume level.

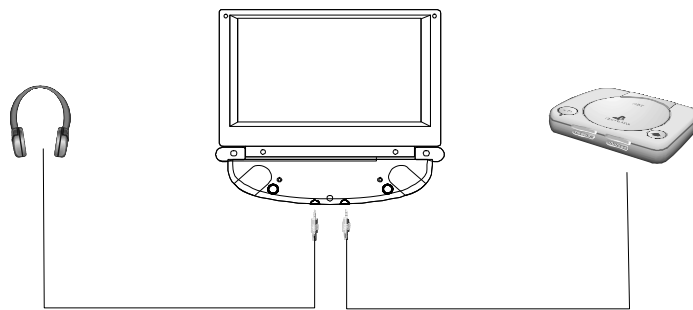


Figure 11

P. Setup

1. General Setup Page

- 1) With no disc inside the player, press 'SETUP' to display the Main screen of the Setup Menu on the screen and "General Setup Page" appears and " " is highlighted. Press 'SETUP' again to exit the Setup Menu.
- 2) Press the ENTER button, "TV Display" is highlighted.
- 3) Press the ▲ or ▼ button to select the other menus in general setup page.
- 4) Press ►► to enter the sub menu.
- 5) Press the ▲ or ▼ button to select the sub menu and press the ENTER to confirm your selection.
- 6) Repeat steps 3-5 for other menus.

Note: Press ◀◀ to return the previous menu.

a) TV Display

Normal/PS: When the player outputs signal to a normal TV, a normal picture is shown on the full screen.

Normal/LB: When the player outputs signal to a normal TV, a normal picture is shown on the screen with a black strip at both the top and bottom of the screen.

Wide: When the player outputs signal to a wide screen TV, a wide picture is shown on the full screen.

b) Angle Mark

On: The screen will show the angle mark icon. (If an angle option is available).

Off: The screen will not display the angle mark.

c) Screen Saver

On: Enables screen saver.

Note: The DVD player will enter the Screen Saver mode after approximately five minutes if the same image remains on the screen.

Off: Disables screen saver.

d) Last Memory

On: The unit will return to the last position on the disc when the tray is opened or the AV In/Out switch position is changed.

Off: The unit will not return to the last position on the disc.

Note: The Last Memory position function will only work when the disc tray is opened.

2. Video Quality Setup

- 1) In Setup menu, press the ◀◀ or ▶▶ button to select “Video Quality Setup” and 📺 is highlighted. Press ENTER to enter the video quality setup page.
- 2) Press the ENTER button, “Brightness” is highlighted.
- 3) Press the ▲ or ▼ button to select the other menus in video quality setup page.
- 4) Press ▶▶ to enter the sub menu.
- 5) Press the ◀◀ or ▶▶ button to adjust the quantity and press the ENTER to confirm your selection.
- 6) Repeat steps 3-5 for other menus.

Note: Press ◀◀ to return the previous menu.

a) Brightness

b) Contrast

c) Saturation

d) Hue

3. Password

In Setup menu, press the ◀◀ or ▶▶ button to select “Password Setup Page” and 🔒 is highlighted. Press ENTER to enter the password page. Press ENTER twice to enter the Password Change Page. Input the Old Password or the Default Password, the New Password, and Confirm the New Password. Press ENTER to confirm the change.

Note: The default password is 3308.

4. Preference Page

- 1) In Setup menu, press the ◀◀ or ▶▶ button to select “Preference Page” and 📺 is highlighted. Press ENTER to enter the preference page.
- 2) Press the ENTER button, “Audio” is highlighted.
- 3) Press the ▲ or ▼ button to select the other menus in preference page.
- 4) Press ▶▶ to enter the sub menu.
- 5) Press the ▲ or ▼ button to select the sub menu and press the ENTER to confirm your selection.
- 6) Repeat steps 3-5 for other menus.

Note: Press ◀◀ to return the previous menu.

a) Audio: Selects the audio language you desire. Use the UP or DOWN buttons to select another audio language.

b) Subtitle: Selects the subtitle language you desire. Use the UP or DOWN buttons to select another subtitle language. To turn subtitles OFF use the UP or DOWN button and select OFF.

c) DISC MENU: Selects the menu language you desire. Use the UP or DOWN buttons to select another menu language.

Note: Language selection for the audio, subtitle and disc menu is only available for discs that are recorded in different languages. If the selected language is not available, the player will play and display on the screen the language that was originally recorded on the disc.

d) Parental

Select 'Parental' using the ▲ and ▼ button, then press RIGHT to enter the submenu. Select the parental level you desire using ▲ and ▼ the button for discs with lock-out function or multiple rating levels. These are listed from the lowest level (1 KID SAFE) to the highest level (8 ADULT). Press ENTER and input 4 digit password, then press ENTER again to confirm the parental level setting.

Note: The level of 8 Adult is the factory default.

e) Default

Select 'Default' using the ▲ and ▼ button, then press ►► to enter the submenu. Press ENTER to make the settings return to the factory set mode.

Note: The parental setting is not affected by the default reset function.

Note: The Default Password is **3308**. This password is always effective even after you have selected your own password and changed it. To avoid the possibility of others using the default password to set the parental level and change the password, you can record this default password in another area and delete it from this manual. Some discs can be limited depending on the age of users while some discs cannot.

Q. Specifications

DVD Player

Compatible DISC: DVD/CD/MP3

Signal system: NTSC

Panel size: 9 inch

Frequency response: 20 Hz to 20 kHz

Video output: 1 Vp-p/75 Ohm, unbalanced

Audio output: 1.4Vrms/10kOhm

Audio S/N: Better than 60 dB

Dynamic range : Better than 85 dB

Laser: Semiconductor Laser, Wave Length: 650 nm/795 nm

Power source: DC 9-12V

Power consumption: 12 W

Operating temperature: 41~95°F (5~35°C)

Weight :2.22lb (1.013 kg)

Dimensions (W x D x H): 9.41 X 6.33 X1.69inches
(239 x 161 x 43mm)

Battery Type:Li-ploymer

Monitor

Signal System: NTSC

Screen Size: 9 inch

Power Supply: DC 9V

Weight : 1.12lb (0.51kg)

Dimensions (W x D x H): 10.0 X 8.49 X 0.53inches
(246 x 208 x 13mm)

R. Rechargeable Battery Installation and Use

The player utilizes a set of long-life Li-polymer batteries to provide portability. Li-polymer batteries feature high storage capacity and low level of degradation. This means the Li-polymer batteries do not have “Memory Effect” and thus can be recharged safely regardless of whether the battery is fully or only partially discharged. Please fully charge the battery prior to first use.

NOTE: When the DVD player is used with the battery as a power source, ensure that the battery has been charged for at least eight hours prior to connecting it to the DVD player.

If you plan not to use the battery for an extended period of time (one week or longer), it is recommended that you first fully charge the battery and store it away properly. For longer periods of storage, please recharge the battery at least once every two months to maintain the battery in optimum condition. Under no circumstances short the battery terminals, store the battery in a metal container, or leave the battery in a humid or damp environment. Ideally, store the battery in an airtight container with desiccant or other dehumidifying agent. Each full recharge takes approximately five-hours and one full charge can provide power to the player for at least 2.5 hours. During recharge, the red indicator will stay on. Once fully recharged, the LED on the right side of the unit will turn off. At this point you may remove the wall plug and stop charging.

Precautions related to Battery Recharge:

1. Once the battery is fully discharged, immediately recharge (regardless of whether you plan to use battery or not) in order to maximize battery life.
2. Recharge efficiency will degrade when environmental temperatures drop below 50°F (10°C) or exceed 95°F (35°C).
3. Please remove battery from the player and store it properly if the player is not to be used for long time. During this period, please recharge the battery at least once every two months to avoid irreparable damage to the battery.

Using your Rechargeable Battery

1. Please make sure you always use **only** the AC adapter included with the player to recharge your battery. The DC Power Adapter cannot be used to recharge the battery.
2. To charge the battery, please connect the power jack directly into the DVD player and leave the POWER switch in the OFF position.

Installing the Battery Pack:

1. Set the Power ON/OFF switch to the OFF position.
2. Disconnect the DVD player from the AC power source.
2. Flip down the monitor.
3. Push the battery towards the rear of the DVD player until it locks into position. The lock position is indicated by a click. The battery will fit tightly to the player.



Figure 12. Installing the DVD Player Battery

Removing the Battery Pack:

1. Set the Power ON/OFF switch to the OFF position.
2. Press the release button on the side of battery.
3. Pull the battery away from the rear of the DVD player.



Figure 13. Removing the DVD Player Battery

S. Troubleshooting

PROBLEM	SOLUTION
No sound or distorted sound	<ul style="list-style-type: none"> • Make sure your DVD is connected properly. Make sure all cables are securely inserted into the appropriate jacks.
Can't advance through a movie	<ul style="list-style-type: none"> • You can't advance through the opening credits and warning information that appears at the beginning of movies because the disc is programmed to prohibit that action.
The icon (⊗) appears on screen	<p>The feature or action cannot be completed at this time because:</p> <ol style="list-style-type: none"> 1. The disc's software restricts it. 2. The disc's software doesn't support the feature (e.g., angles) 3. The feature is not available at the moment. 4. You've requested a title or chapter number that is out of range.
Picture is distorted	<ul style="list-style-type: none"> • The disc might be damaged. Try another disc. • It is normal for some distortion to appear during forward or reverse scan.
No forward or reverse scan	<ul style="list-style-type: none"> • Some discs have sections that prohibit rapid scanning or title and chapter skip. • If you try to skip through the warning information and credits at the beginning of a movie, you won't be able to. This part of the movie is often programmed to prohibit skipping through it.

Troubleshooting (Cont)

PROBLEM	SOLUTION
IR sensor inoperative	<ul style="list-style-type: none">• Verify that the batteries in the remote are fresh.• Verify that the remote sensor eye is not obstructed.
Disc won't play	<ul style="list-style-type: none">• Insert a disc with the label side facing up.• Check the type of disc you put into disc tray. This DVD only plays digital video discs, audio CDs and MP3s.
Play starts, but then stops immediately	<ul style="list-style-type: none">• Both the unit and the disc are coded by region. If the regional codes don't match, the disc can't be played. This DVD is Region Number 1.• The disc is dirty. Clean it.• Condensation has formed. Allow player to dry out.



90 DAY LIMITED WARRANTY

Applies to Audiovox Video Products

AUDIOVOX ELECTRONICS CORP. (the Company) warrants to the original retail purchaser of this product that should this product or any part thereof, under normal use and conditions, be proven defective in material or workmanship within 90 days from the date of original purchase, such defect(s) will be repaired or replaced with reconditioned product (at the Company's option) without charge for parts and repair labor. A game controller, if supplied, is similarly warranted for ninety (90) days.

To obtain repair or replacement within the terms of this Warranty, the product is to be delivered with proof of warranty coverage (e.g. dated bill of sale), specification of defect(s), transportation prepaid, to the Company at the address shown below.

This Warranty does not extend to the elimination of externally generated static or noise, to correction of antenna problems, to costs incurred for installation, removal or reinstallation of the product, or to damage to digital memory/media devices, gaming devices, discs, speakers, accessories, or electrical systems.

This Warranty does not apply to any product or part thereof which, in the opinion of the Company, has suffered or been damaged through alteration, improper installation, mishandling, misuse, neglect, accident, or by removal or defacement of the factory serial number/bar code label(s). THE EXTENT OF THE COMPANY'S LIABILITY UNDER THIS WARRANTY IS LIMITED TO THE REPAIR OR REPLACEMENT PROVIDED ABOVE AND, IN NO EVENT, SHALL THE COMPANY'S LIABILITY EXCEED THE PURCHASE PRICE PAID BY PURCHASER FOR THE PRODUCT.

This Warranty is in lieu of all other express warranties or liabilities. ANY IMPLIED WARRANTIES, INCLUDING ANY IMPLIED WARRANTY OF MERCHANTABILITY, SHALL BE LIMITED TO THE DURATION OF THIS WRITTEN WARRANTY. ANY ACTION FOR BREACH OF ANY WARRANTY HEREUNDER INCLUDING ANY IMPLIED WARRANTY OF MERCHANTABILITY MUST BE BROUGHT WITHIN A PERIOD OF 24 MONTHS FROM DATE OF ORIGINAL PURCHASE. IN NO CASE SHALL THE COMPANY BE LIABLE FOR ANY CONSEQUENTIAL OR INCIDENTAL DAMAGES FOR BREACH OF THIS OR ANY OTHER WARRANTY, EXPRESS OR IMPLIED, WHATSOEVER. No person or representative is authorized to assume for the Company any liability other than expressed herein in connection with the sale of this product.

Some states do not allow limitations on how long an implied warranty lasts or the exclusion or limitation of incidental or consequential damage so the above limitations or exclusions may not apply to you. This Warranty gives you specific legal rights and you may also have other rights which vary from state to state.

U.S.A. : AUDIOVOX ELECTRONICS CORPORATION, 150 MARCUS BLVD, HAUPPAUGE, NEW YORK 11788
I 1-800-645-4994

CANADA : CALL 1-800-645-4994 FOR LOCATION OF WARRANTY STATION SERVING YOUR AREA

128-5556G

© 2007 Audiovox Electronics Corporation

